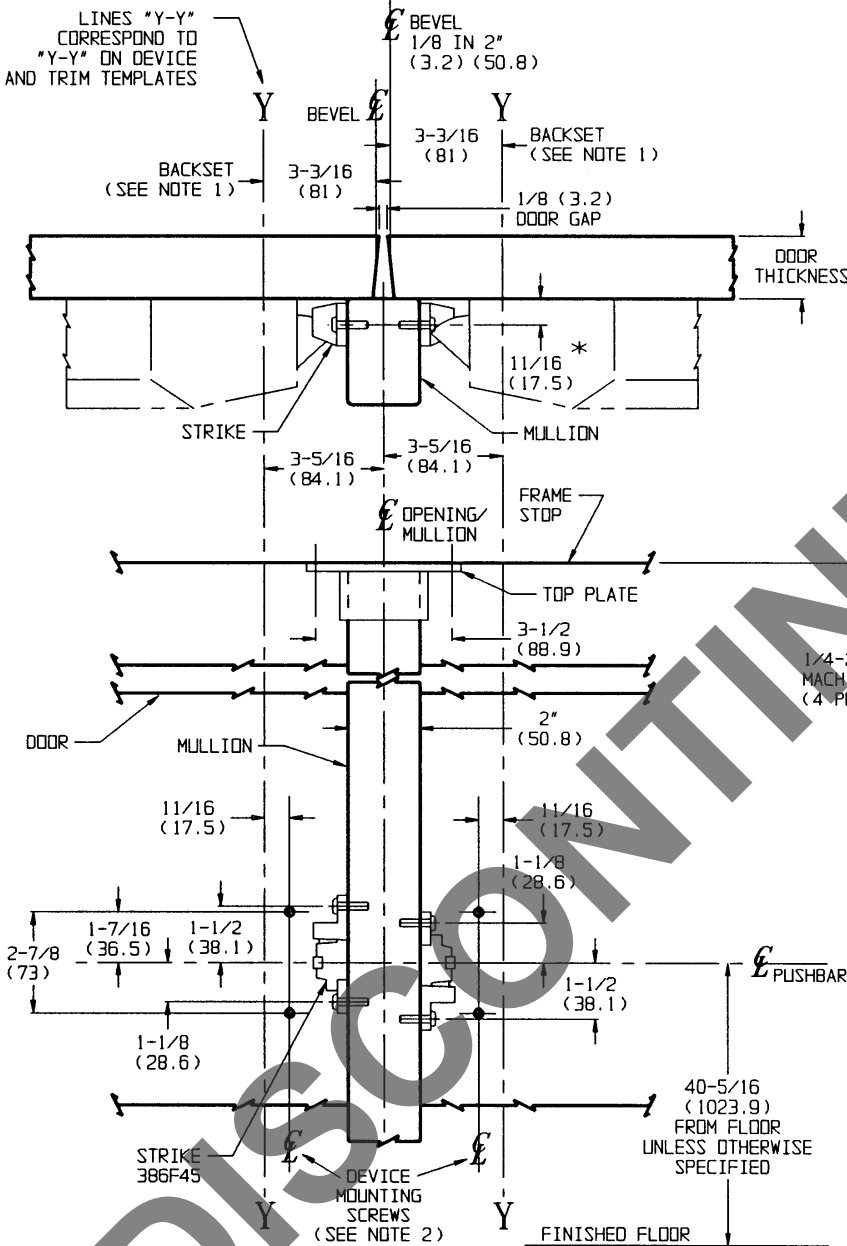


DOUBLE DOOR APPLICATIONS ONLY

TEMPLATE CROSS REFERENCE (FOR SINGLE DOOR APPLICATIONS)

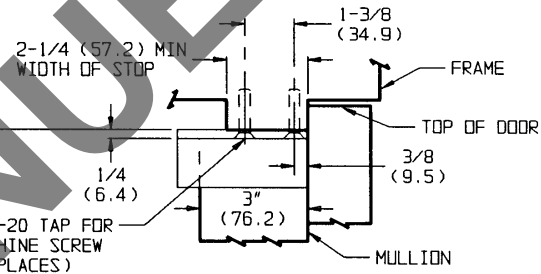
DESCRIPTION	TEMPLATE
ED8200 SERIES RIM DEVICE	T30436
ED8200 SERIES x M61 & M62	T30491
ED9200 SERIES RIM DEVICE	T30441
ED9200 SERIES x M61 & M62	T30490

LINES "Y-Y"
CORRESPOND TO
"Y-Y" ON DEVICE
AND TRIM TEMPLATES

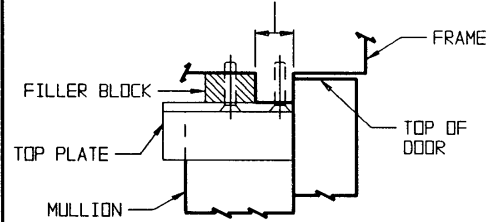


RECOMMENDED MINIMUM STILE

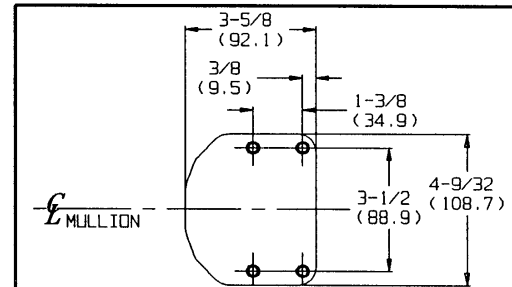
STILE	DESCRIPTION
5-1/2 (139.7)	ED8200 SERIES
5-3/4 (146.1)	ED8200 SERIES x M61 & M62 ED9200 SERIES ED9200 SERIES x M61 & M62



FOR FRAME STOP LESS THAN 2-1/4" (57.2) WIDE, USE FILLER BLOCK AS SHOWN (TO BE FURNISHED BY OTHERS)



FILLER BLOCK APPLICATION



TOP PLATE DETAIL

NOTES:

- BACKSET IS MEASURED FROM CENTERLINE OF BEVEL WHICH IS CENTERPOINT OF DOOR THICKNESS.
- FOR OTHER DEVICE AND STRIKE MOUNTING SPECIFICATIONS, REFER TO APPROPRIATE SINGLE DOOR APPLICATION TEMPLATE.
- CAUTION:** WHEN GLASS BEAD SHIMS ARE USED TO RAISE DEVICE OFF SURFACE OF DOOR, REFER TO GLASS BEAD SHIM TEMPLATE T30494 FOR PROPER STRIKE MOUNTING DIMENSIONS.
- FOR PREPARATION OF TRIM, REFER TO SEPARATE TEMPLATE.
- DIMENSIONS GIVEN IN INCHES AND (MM).

RESPONSIBILITY

Door and Frame Manufacturers are responsible for providing adequate construction or reinforcements for proper installation of hardware shown. All architectural builders hardware must be installed on properly reinforced doors and frames, regardless of the type, material, or method of construction.

ED8200 SERIES
ED9200 SERIES
INCLUDING M61 & M62
OPTIONS BY 510 MULLION
PUSHBAR RIM EXIT DEVICE

**Corbin
Russwin**
www.corbinrusswin.com™

DO NOT SCALE DRAWING		
SUPERSEDES T30533	DR. BTH	APP. <i>[Signature]</i>
DATE 04/05/93	TEMPLATE NUMBER T30533-1	