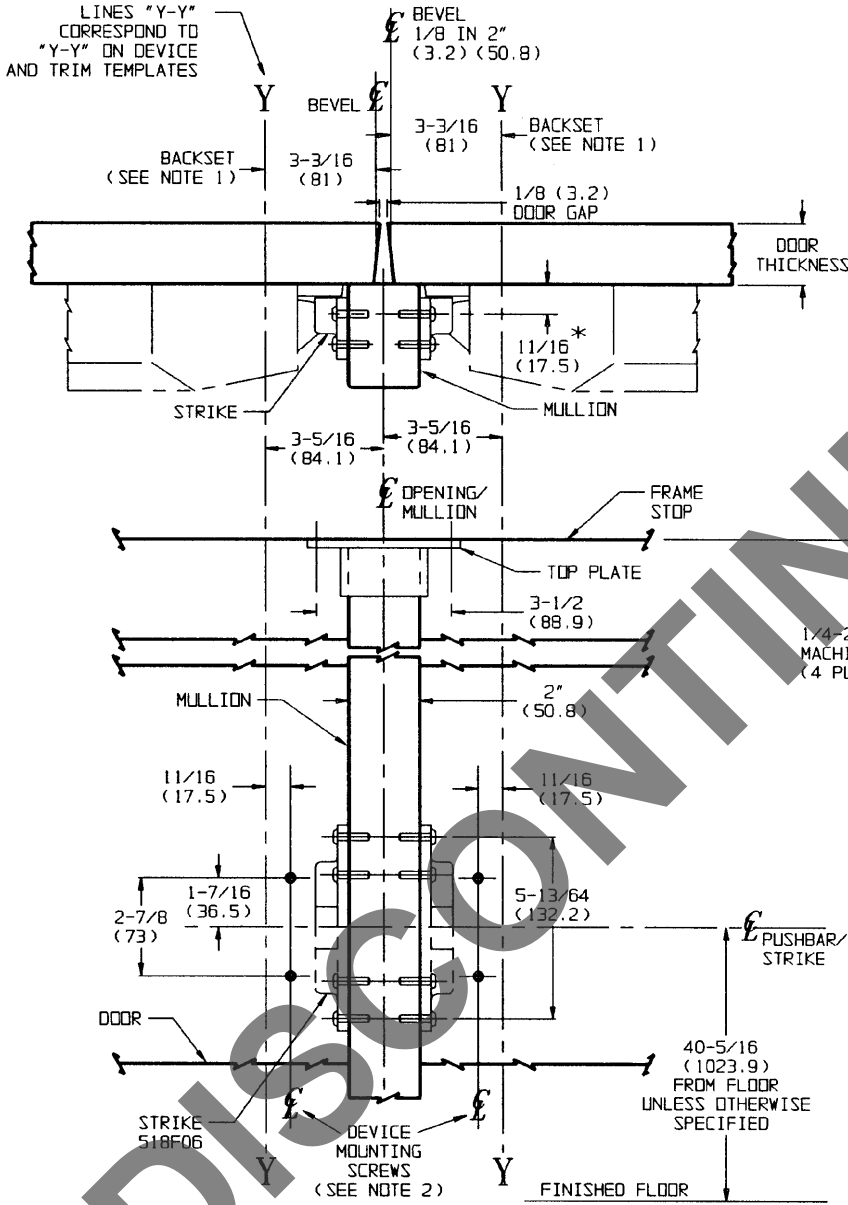


DOUBLE DOOR APPLICATIONS ONLY

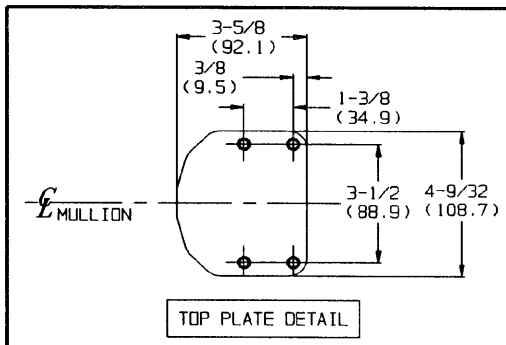
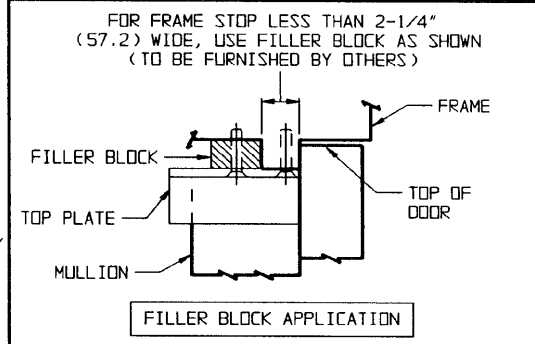
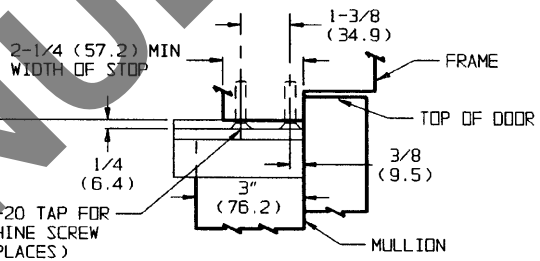


③

TEMPLATE CROSS REFERENCE	
DESCRIPTION	TEMPLATE
ED8200A SERIES RIM DEVICE	T30465
ED9200A SERIES RIM DEVICE	T30462

③

RECOMMENDED MINIMUM STILE	
STILE	DESCRIPTION
5-1/2 (139.7)	ED8200A SERIES
5-3/4 (146.1)	ED9200A SERIES



- NOTES:
- BACKSET IS MEASURED FROM CENTERLINE OF BEVEL WHICH IS CENTERPOINT OF DOOR THICKNESS.
 - FOR OTHER DEVICE AND STRIKE MOUNTING SPECIFICATIONS, REFER TO APPROPRIATE SINGLE DOOR APPLICATION TEMPLATE.
 - [CAUTION:]** WHEN GLASS BEAD SHIMS ARE USED TO RAISE DEVICE OFF SURFACE OF DOOR, REFER TO GLASS BEAD SHIM TEMPLATE T30494 FOR PROPER STRIKE MOUNTING DIMENSIONS.
 - FOR PREPARATION OF TRIM, REFER TO SEPARATE TEMPLATE.
 - DIMENSIONS GIVEN IN INCHES AND (MM).
- ③

RESPONSIBILITY

Door and Frame Manufacturers are responsible for providing adequate construction or reinforcements for proper installation of hardware shown. All architectural builders hardware must be installed on properly reinforced doors and frames, regardless of the type, material, or method of construction.

ED8200A SERIES
ED9200A SERIES
BY 508 MULLION
PUSHBAR RIM EXIT DEVICE

Corbin Russwin
www.corbinrusswin.com™

DO NOT SCALE DRAWING

SUPERSEDES	T30326-2	DR.	BTH	APP.	<i>[Signature]</i>
DATE	04/02/93	TEMPLATE NUMBER	T30326-3		