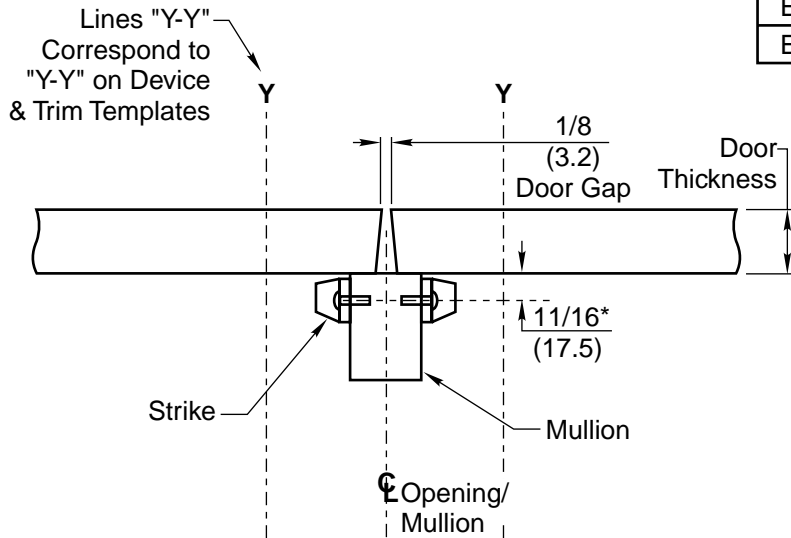


DOUBLE DOOR APPLICATIONS ONLY

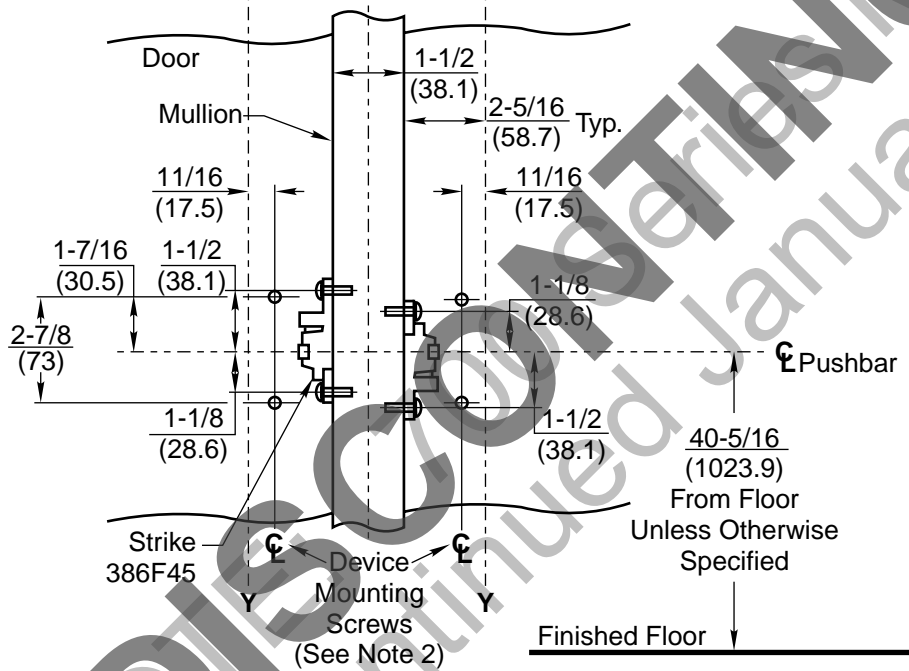
TEMPLATE CROSS REFERENCE (For Single Door Applications)

Description	Template
ED8200 & ED8200B Series Rim Device	T30436
ED8200 & ED8200B x M61 & M62	T30491



RECOMMENDED MINIMUM STILE

Stile	Description
5-1/4 (133.4)	ED8200, ED8200B
5-1/2 (139.7)	ED8200 & ED8200B x M61 & M62



NOTES:

- For 707A and 708A (KM) Mullion Frame Preparation Template, refer to T30882.
- For other device and strike mounting specifications, refer to appropriate single door application template.
- *3. Caution:** When glass bead shims are used to raise device off surface of door, refer to glass bead shim template T30494 for proper strike mounting dimensions.
- For preparation of trim, refer to separate template.
- Dimensions given in inches and (mm).

**ED8200B Series
Rim Fire Exit Devices
Application to Metal, Wood or Composite Doors
With 707A and 708A (KM) Mullion**

**Corbin
Russwin**[®]
www.corbinrusswin.com

SUPERSEDES T30940 DO NOT SCALE DRAWING
TEMPLATE NUMBER T30940-1 DATE 10-05