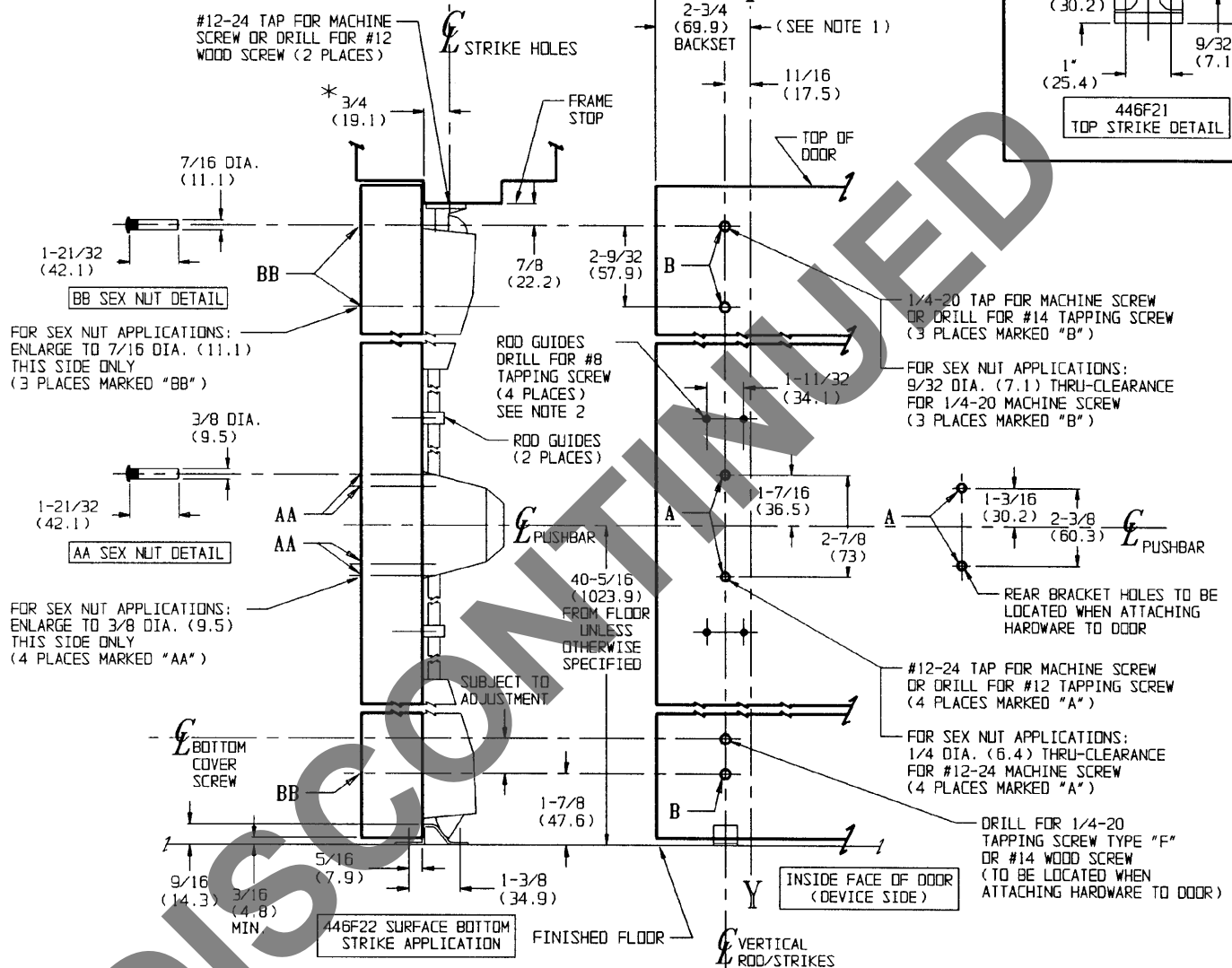
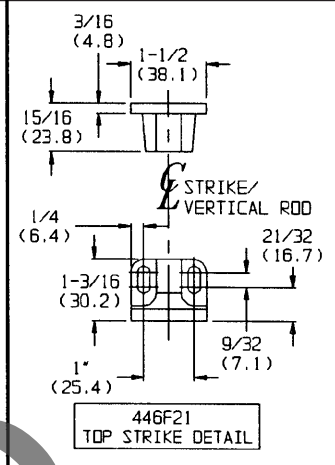


# MOUNTING INFORMATION

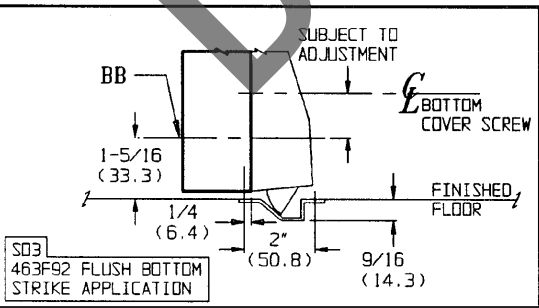
- For Non-Fire Rated Exit Devices:  
Sex nuts or through bolts  
are recommended for wood core,  
wood and plastic covered composite  
doors, and any type of door without  
reinforcements.

LHR SHOWN  
RHR OPPOSITE



NOTES:

- BACKSET IS MEASURED FROM CENTERLINE OF BEVEL WHICH IS CENTERPOINT OF DOOR THICKNESS.
- POSITION ROD GUIDES MIDWAY BETWEEN ACTIVE AND TOP/BOTTOM LATCH CASES.
- \* CAUTION:** WHEN GLASS BEAD SHIMS ARE USED TO RAISE DEVICE AND LATCHES OFF SURFACE OF DOOR, REFER TO GLASS BEAD SHIM TEMPLATE T30494 FOR PROPER TOP STRIKE MOUNTING DIMENSIONS.
- FOR PREPARATION OF TRIM, REFER TO SEPARATE TEMPLATE.
- RECOMMENDED MINIMUM STILE 5" (127).
- DIMENSIONS GIVEN IN INCHES AND (MM).



RESPONSIBILITY

DOOR AND FRAME MANUFACTURERS ARE RESPONSIBLE FOR PROVIDING ADEQUATE CONSTRUCTION OR REINFORCEMENTS FOR PROPER INSTALLATION OF HARDWARE SHOWN. ALL ARCHITECTURAL BUILDERS HARDWARE MUST BE INSTALLED ON PROPERLY REINFORCED DOORS AND FRAMES, REGARDLESS OF TYPE, MATERIAL, OR METHOD OF CONSTRUCTION.

ED8400 Series

Pushbar Surface Vertical Rod Exit Device



ASSA ABLOY

www.corbinrusswin.com

TEMPLATE NUMBER

T30437-1

DATE

11-11