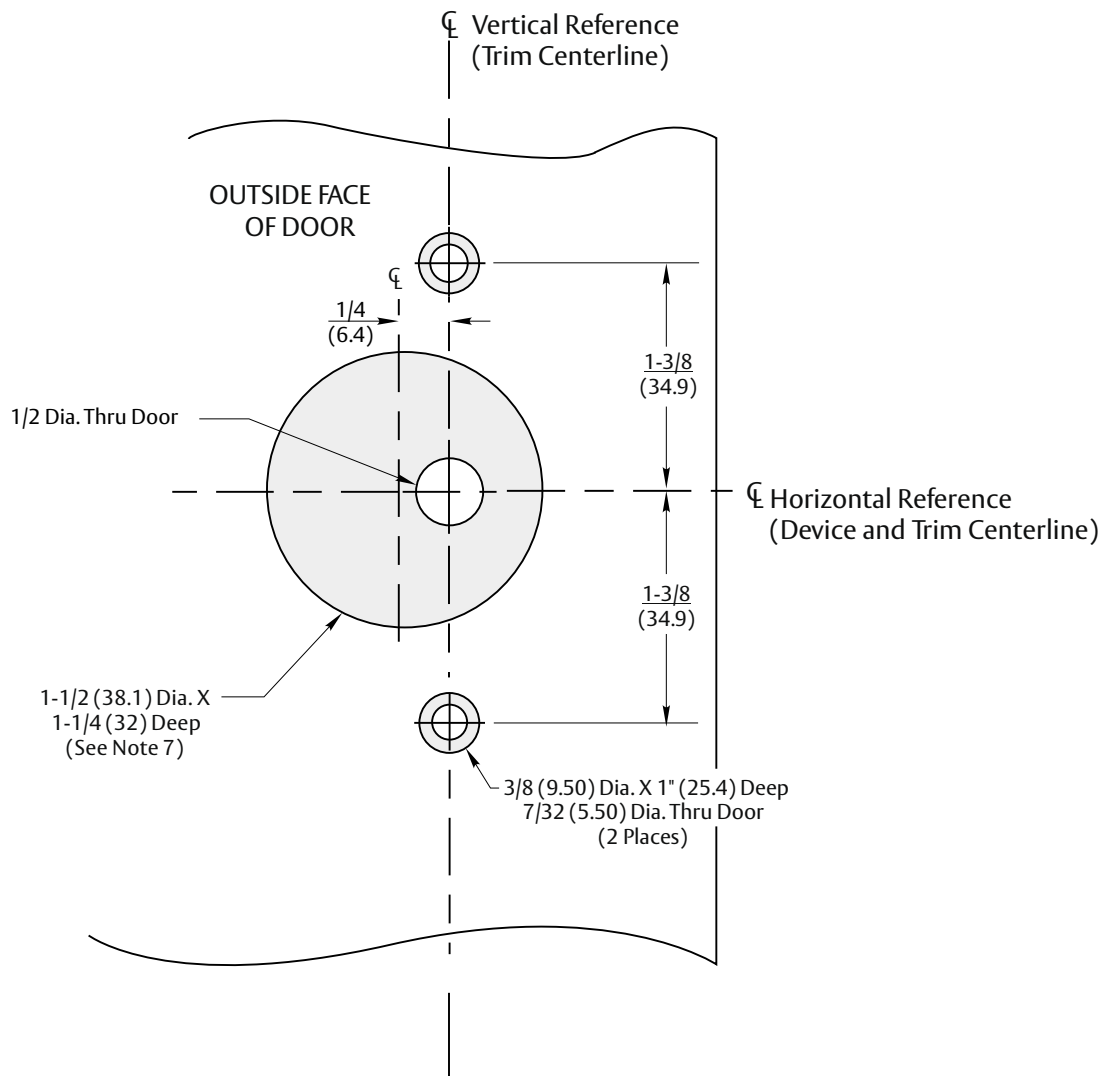
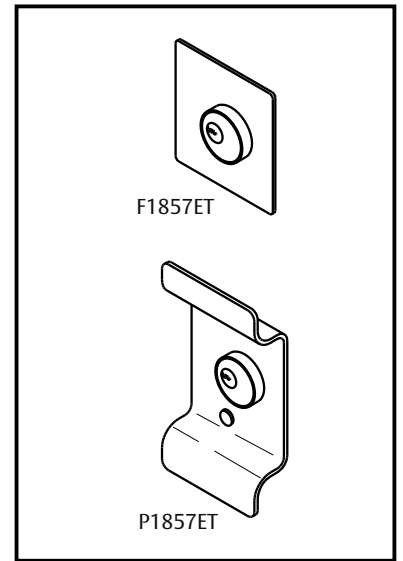


**Notes:**

1. This template is an addition to the device template. Locate centerlines using horizontal and vertical references on device template.
2. Do not scale drawing.
3. Dimensions are in inches (mm).
4. LHR door shown. Preparation is typical for both door hands.
5. Prepare mounting holes when installing trim.
6. Provide adequate internal support to maintain door integrity during operation.
7. At specifier's option, stock door with ANSI A115.W2 cutout may be substituted. These doors require a filler plate for the door edge cutout (by others).



**RESPONSIBILITY**

DOOR AND FRAME MANUFACTURERS ARE RESPONSIBLE FOR PROVIDING ADEQUATE CONSTRUCTION OR REINFORCEMENTS FOR PROPER INSTALLATION OF HARDWARE SHOWN. ALL ARCHITECTURAL BUILDERS HARDWARE MUST BE INSTALLED ON PROPERLY REINFORCED DOORS AND FRAMES, REGARDLESS OF TYPE, MATERIAL, OR METHOD OF CONSTRUCTION.

**F1857ET and P1857ET Trim  
With ED2000 Series  
Rim and Vertical Rod Exit Devices  
Wood or Composite Door**



www.corbinrusswin.com

SUPERSEDES	DO NOT SCALE DRAWING	
TEMPLATE NUMBER <b>T31270</b>	SHEET <b>1 of 1</b>	DATE <b>04/23</b>

Experience a safer and more open world

Copyright © 2023 ASSA ABLOY Access and Egress Hardware Group, Inc. All rights reserved. Reproduction in whole or in part without the express written permission of ASSA ABLOY Access and Egress Hardware Group, Inc. is prohibited.