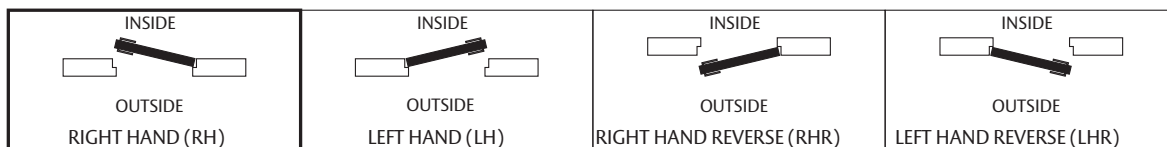
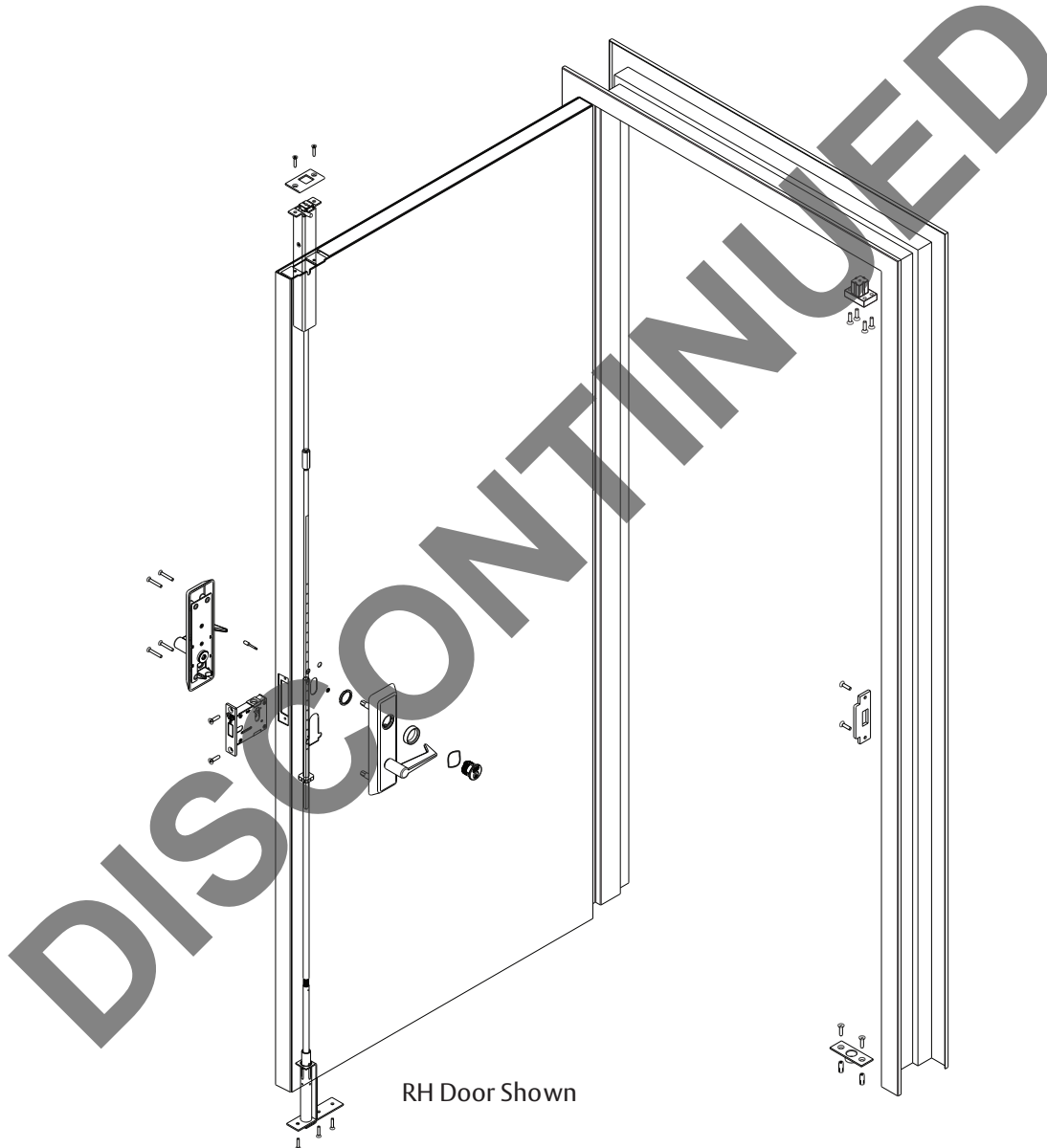


Installation Instructions

FE6800 Series

Multi-Point Lock



For installation assistance contact Corbin Russwin
1-800-543-3658 • techsupport.corbinrusswin@assaabloy.com

Copyright © 2016, 2022, ASSA ABLOY Access and Egress Hardware Group, Inc. All rights reserved. Reproduction in whole or in part without the express written permission of ASSA ABLOY Access and Egress Hardware Group, Inc. is prohibited.

FM276 08/22

Experience a safer
and more open world

FE6800 Series

Multi-Point Lock



Installation Instructions

This device is intended to be part of an integrated door, frame and hardware assembly UL-approved for both FEMA P-361 (2014), FEMA P-320 (2015) & ICC 500 (2014) guidelines for both in-swing and out-swing doors.

1 Tools Needed

Supplied:				Required:										
1/8 Hex	5/64 Hex	5/32 Hex	3/16 Hex	Hollow Tip Driver	Flat Head	Phillips Head	Marker	Chisel	9/16" & 11/16" Wrench	Tape Measure	Drill	Anchor Set Tool	Flashlight	Mallet

2 Mounting Hardware (Full Scale)

(4)	(3)	(10)	(2)	(2)	(2)
Oval Head Phillips 12-24x1 1/2"	Flat Head Hex Socket 12-24x1"	Flat Head Hex Socket 1/4-20x1"	Flat Head Socket 5/16-18x1"	Drop-in Anchor	Drive Pin (1 Spare)
	(2) Push-on Retaining Ring (1 Spare)				

For installation assistance contact Corbin Russwin
1-800-543-3658 • techsupport.corbinrusswin@assaabloy.com

FM276 08/22

Copyright © 2016, 2022, ASSA ABLOY Access and Egress Hardware Group, Inc. All rights reserved. Reproduction in whole or in part without the express written permission of ASSA ABLOY Access and Egress Hardware Group, Inc. is prohibited.

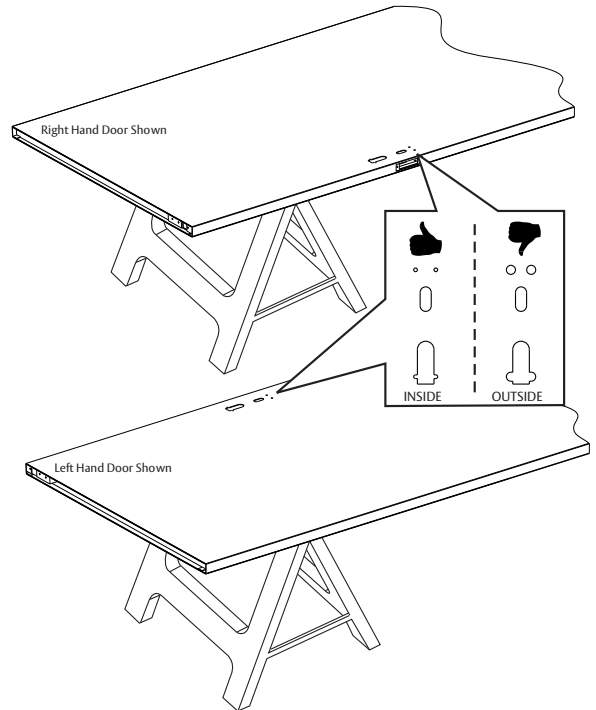
FE6800 Series

Multi-Point Lock

Installation Instructions



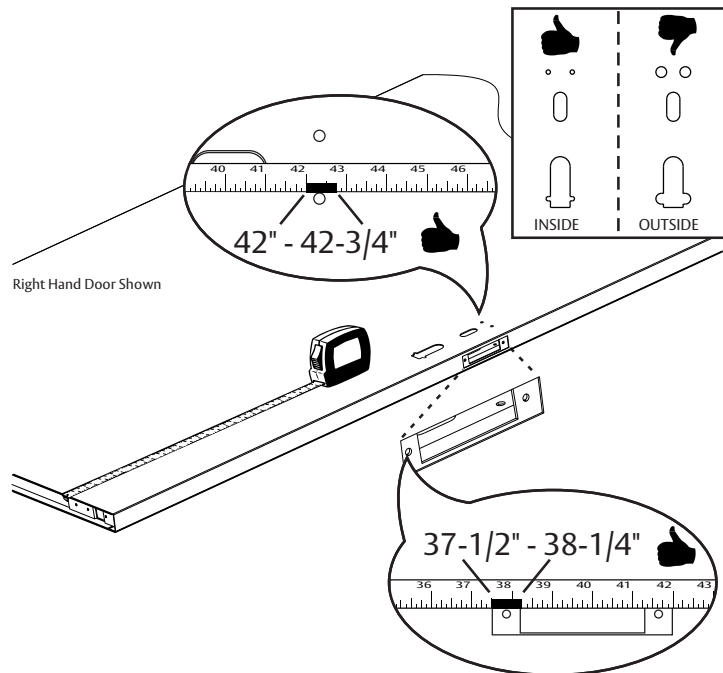
3 Verify Handing



4 Verify Door Dimensions



LOCK IN condition can occur and EMERGENCY EGRESS will be prevented if critical dimensions are not met. Device will not operate, if door cutouts are not within the dimensions below.



For installation assistance contact Corbin Russwin
1-800-543-3658 • techsupport.corbinruswin@assaabloy.com

FM276 08/22

Copyright © 2016, 2022, ASSA ABLOY Access and Egress Hardware Group, Inc. All rights reserved. Reproduction in whole or in part without the express written permission of ASSA ABLOY Access and Egress Hardware Group, Inc. is prohibited.

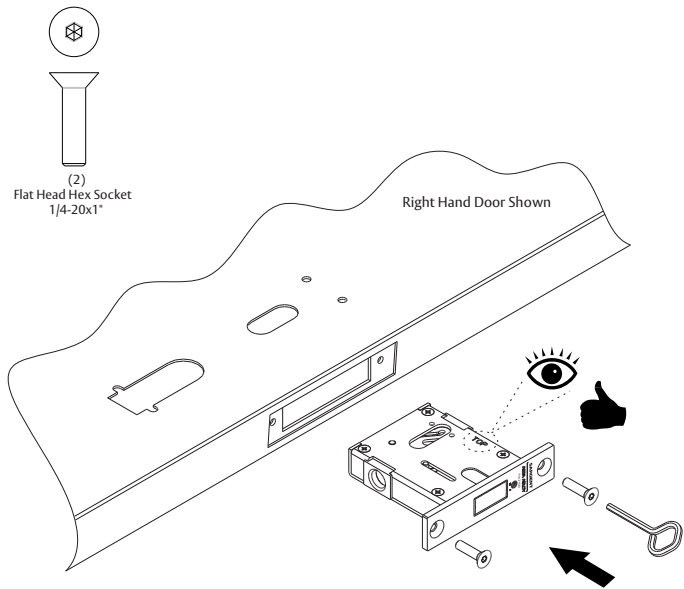
FE6800 Series

Multi-Point Lock

Installation Instructions

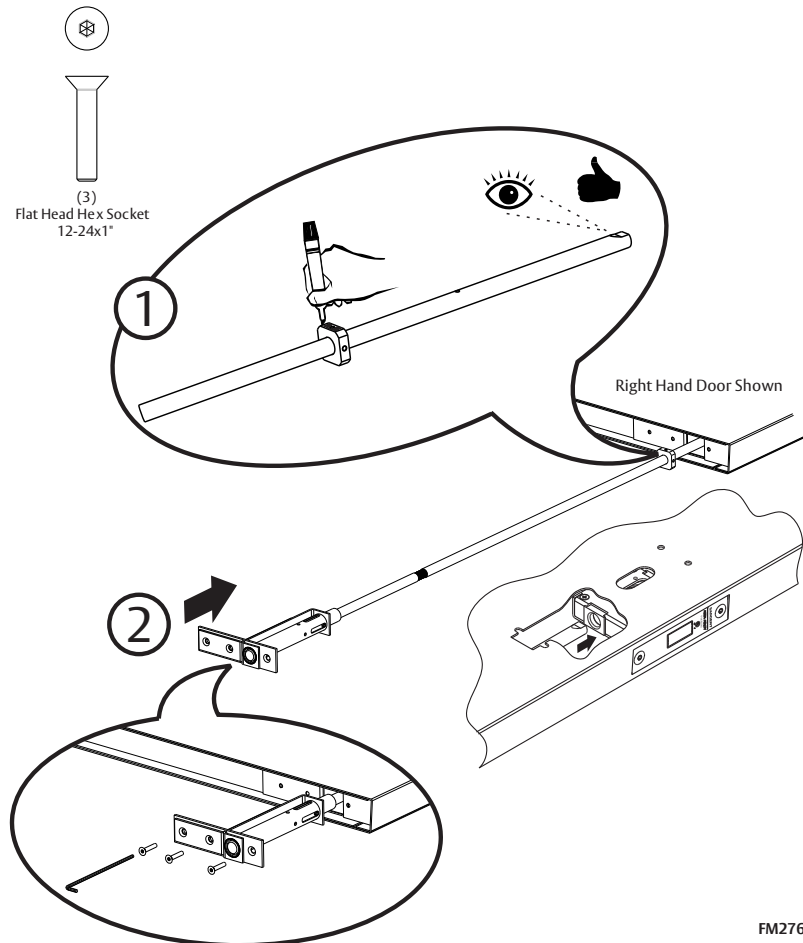


5 Install Deadbolt Assembly



Deadbolt must be retracted before moving to the next step.

6 Install Bottom Bolt Assembly



For installation assistance contact Corbin Russwin
1-800-543-3658 • techsupport.corbinrusswin@assaabloy.com

Copyright © 2016, 2022, ASSA ABLOY Access and Egress Hardware Group, Inc. All rights reserved. Reproduction in whole or in part without the express written permission of ASSA ABLOY Access and Egress Hardware Group, Inc. is prohibited.

FE6800 Series

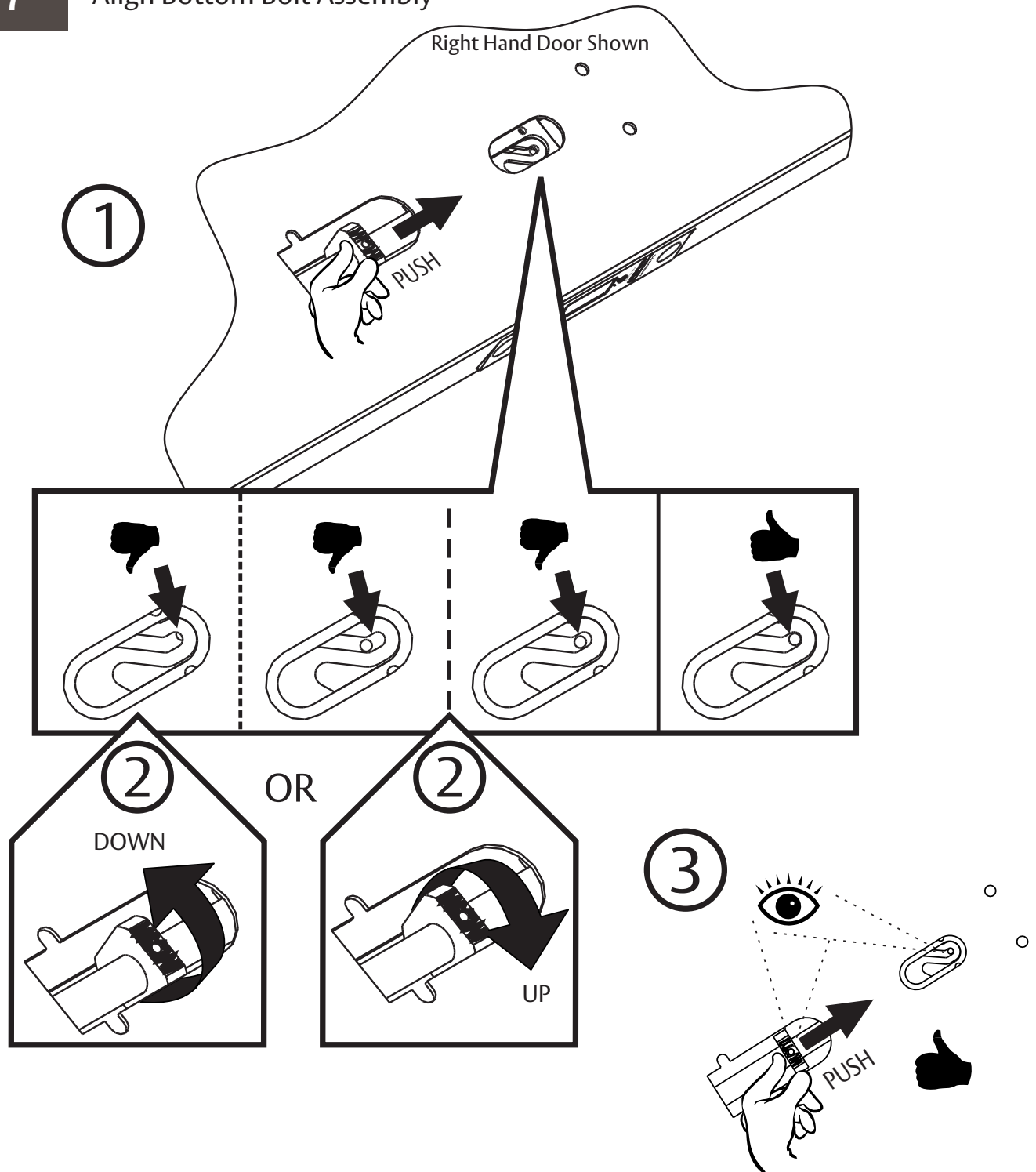
Multi-Point Lock

Installation Instructions



ASSA ABLOY

7 Align Bottom Bolt Assembly



For installation assistance contact Corbin Russwin
1-800-543-3658 • techsupport.corbinrusswin@assaabloy.com

Copyright © 2016, 2022, ASSA ABLOY Access and Egress Hardware Group, Inc. All rights reserved. Reproduction in whole or in part without the express written permission of ASSA ABLOY Access and Egress Hardware Group, Inc. is prohibited.

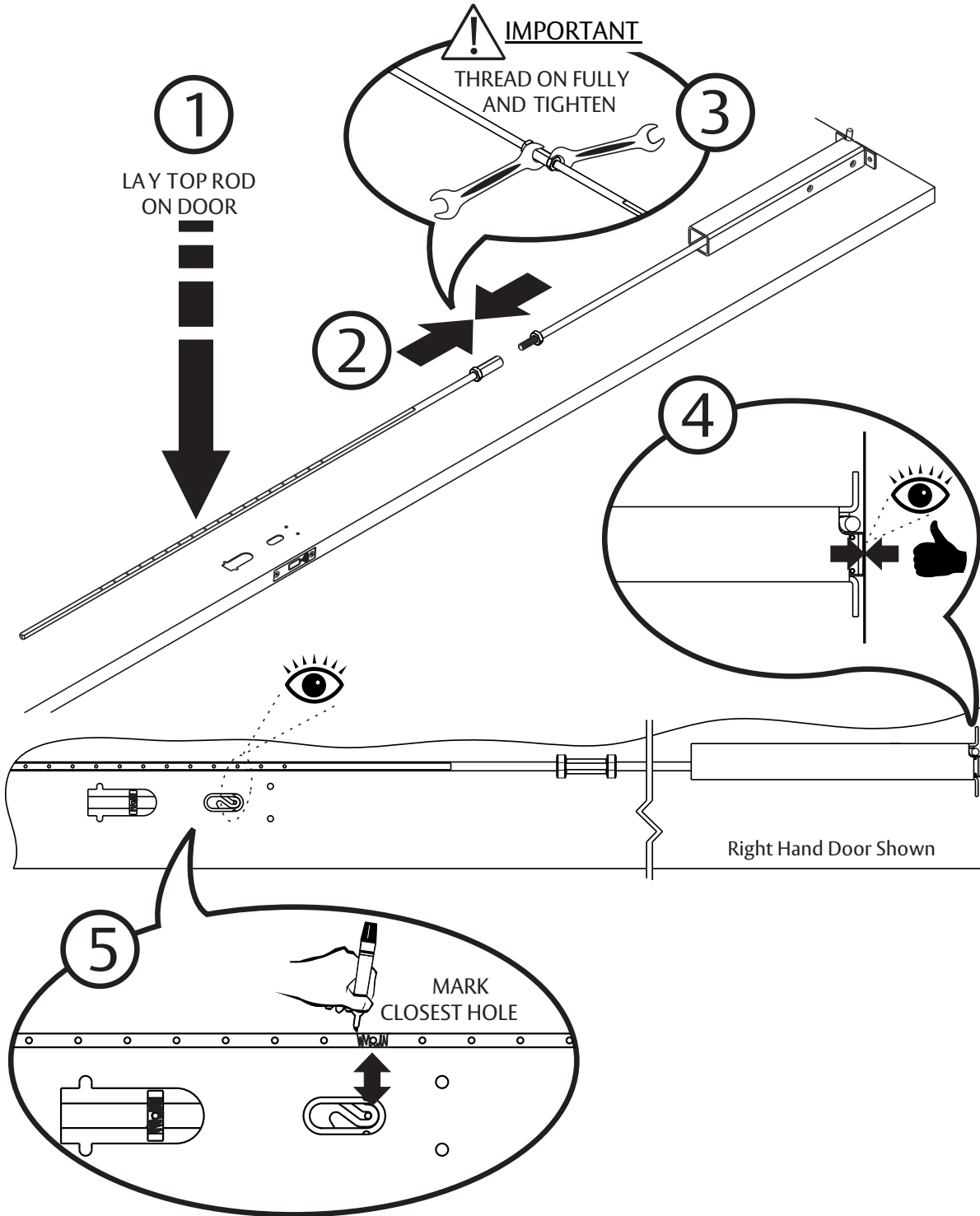
FE6800 Series

Multi-Point Lock

Installation Instructions



8 Prep Top Assembly



For installation assistance contact Corbin Russwin
1-800-543-3658 • techsupport.corbinrusswin@assaabloy.com

Copyright © 2016, 2022, ASSA ABLOY Access and Egress Hardware Group, Inc. All rights reserved. Reproduction in whole or in part without the express written permission of ASSA ABLOY Access and Egress Hardware Group, Inc. is prohibited.

FE6800 Series

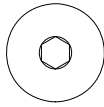
Multi-Point Lock

Installation Instructions

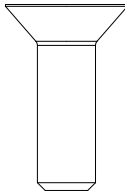


ASSA ABLOY

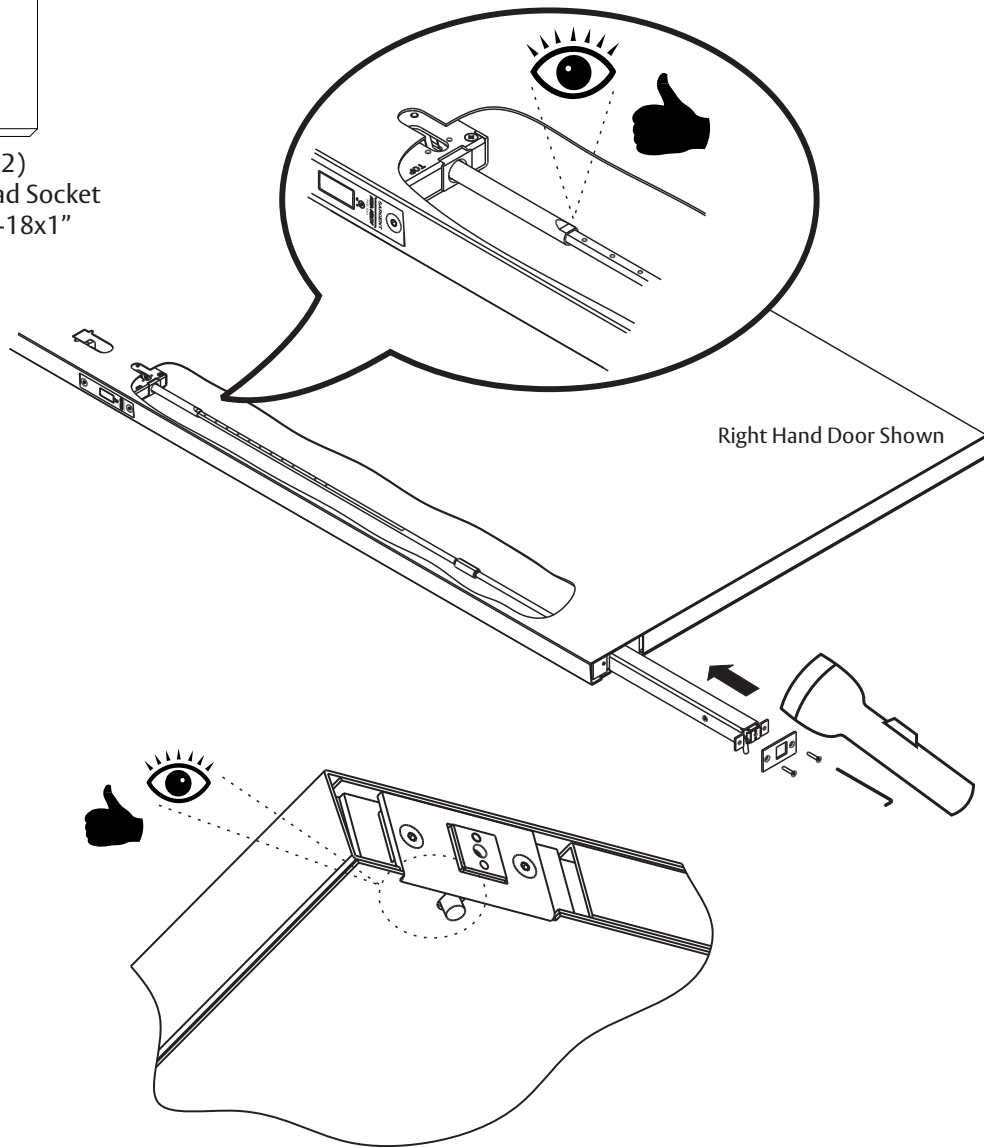
9 Install Top Assembly



For doors manufactured before July 2022, drill & tap top bolt screw holes for 5/16-18 screw threads.



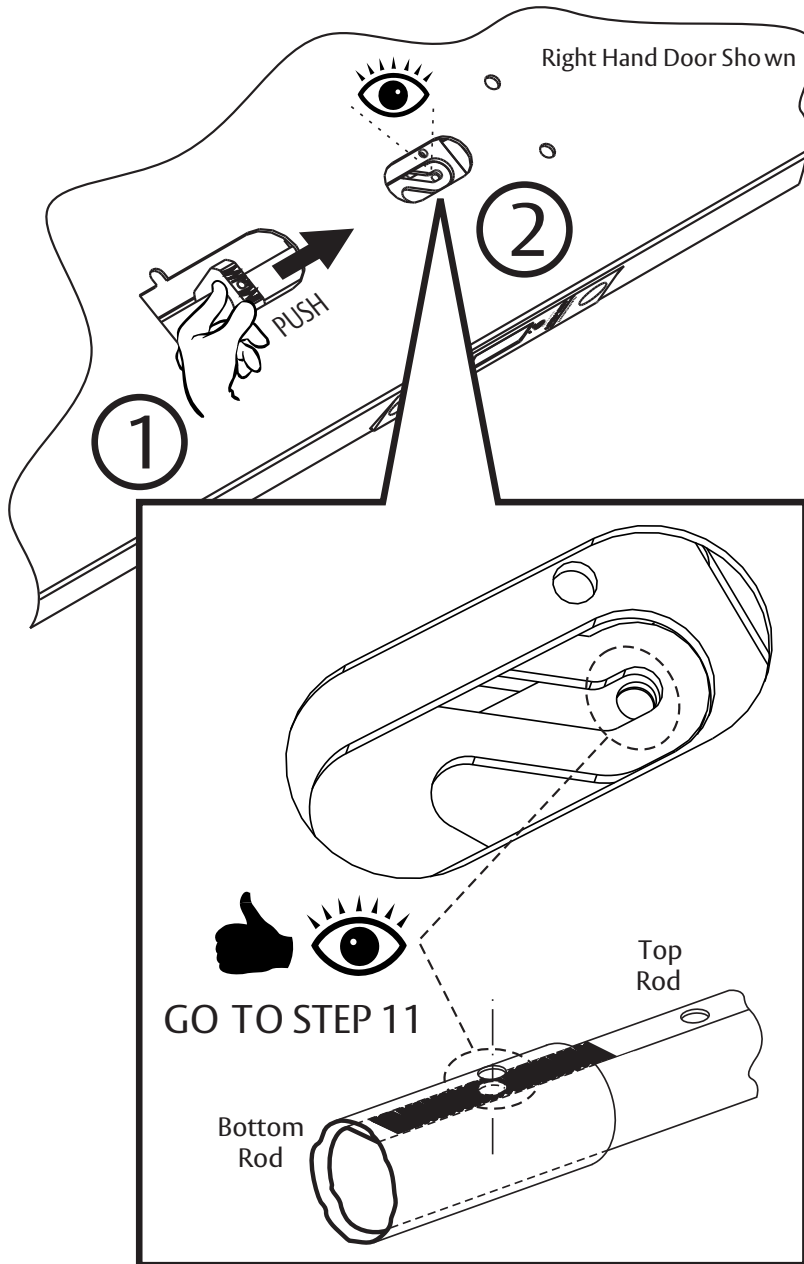
(2)
Flat Head Socket
5/16-18x1"



For installation assistance contact Corbin Russwin
1-800-543-3658 • techsupport.corbinrusswin@assaabloy.com

Copyright © 2016, 2022, ASSA ABLOY Access and Egress Hardware Group, Inc. All rights reserved. Reproduction in whole or in part without the express written permission of ASSA ABLOY Access and Egress Hardware Group, Inc. is prohibited.

10 Align Top & Bottom Pinning Holes



GO TO STEP 10a OR 10b

FE6800 Series

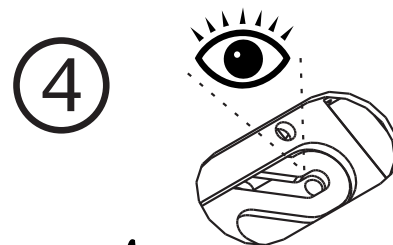
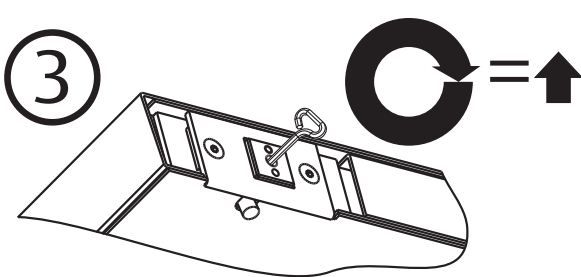
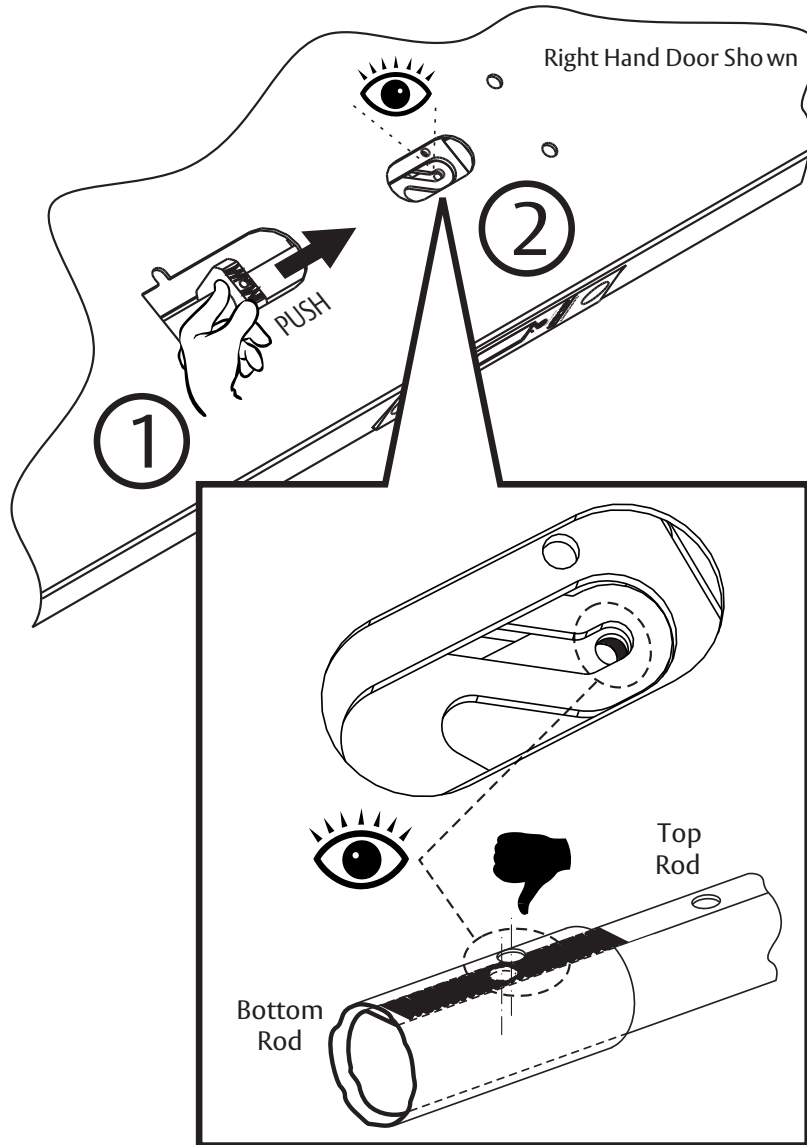
Multi-Point Lock

Installation Instructions



ASSA ABLOY

10a Adjust Misaligned Pinning Holes Up



GO TO STEP 11

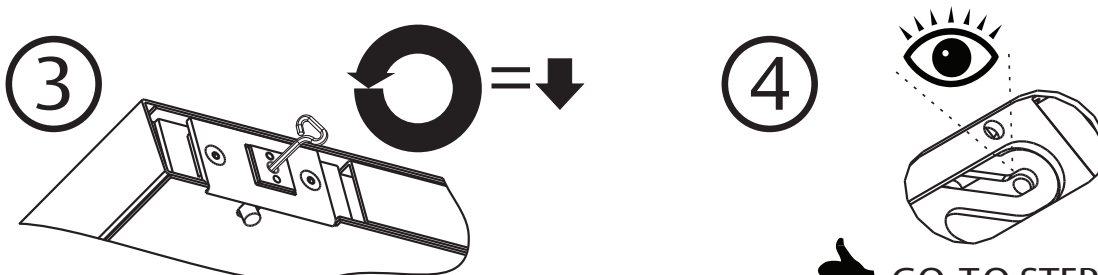
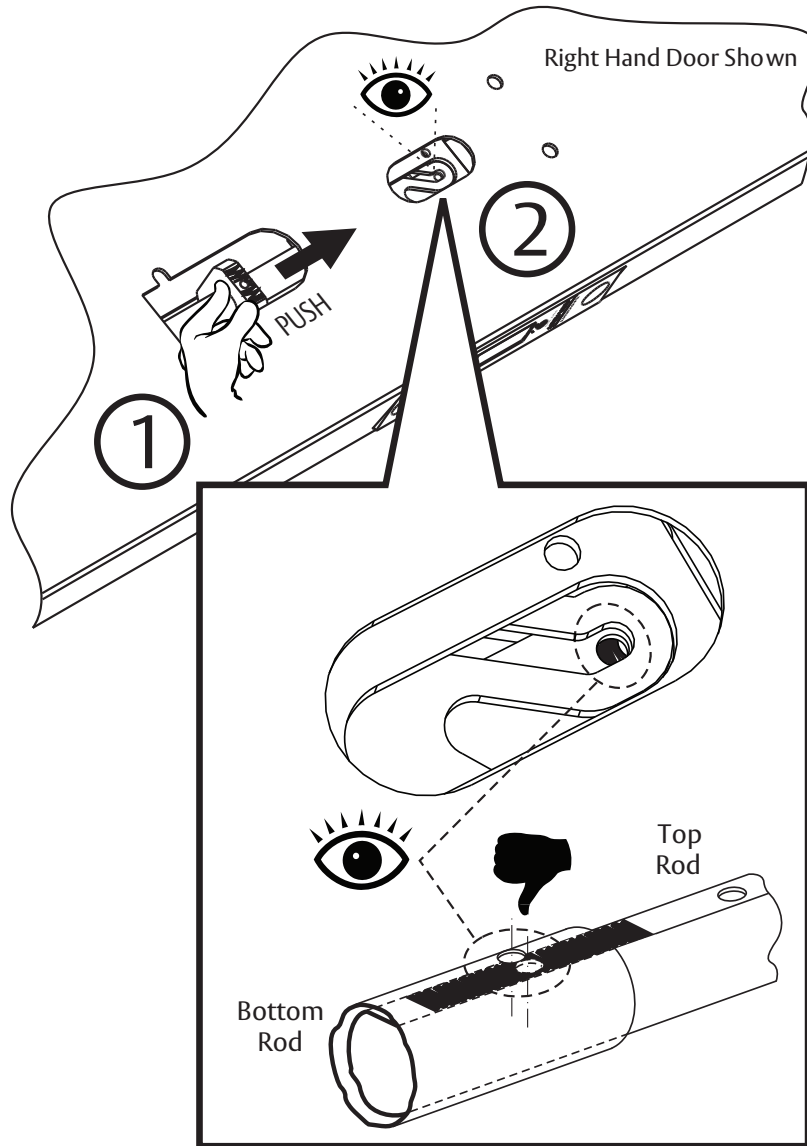
For installation assistance contact Corbin Russwin
1-800-543-3658 • techsupport.corbinrusswin@assaabloy.com

FM276 08/22

Copyright © 2016, 2022, ASSA ABLOY Access and Egress Hardware Group, Inc. All rights reserved. Reproduction in whole or in part without the express written permission of ASSA ABLOY Access and Egress Hardware Group, Inc. is prohibited.

Experience a safer
and more open world

10b Adjust Misaligned Pinning Holes Down



GO TO STEP 11

FM276 08/22

For installation assistance contact Corbin Russwin
1-800-543-3658 • techsupport.corbinrusswin@assaabloy.com

FE6800 Series

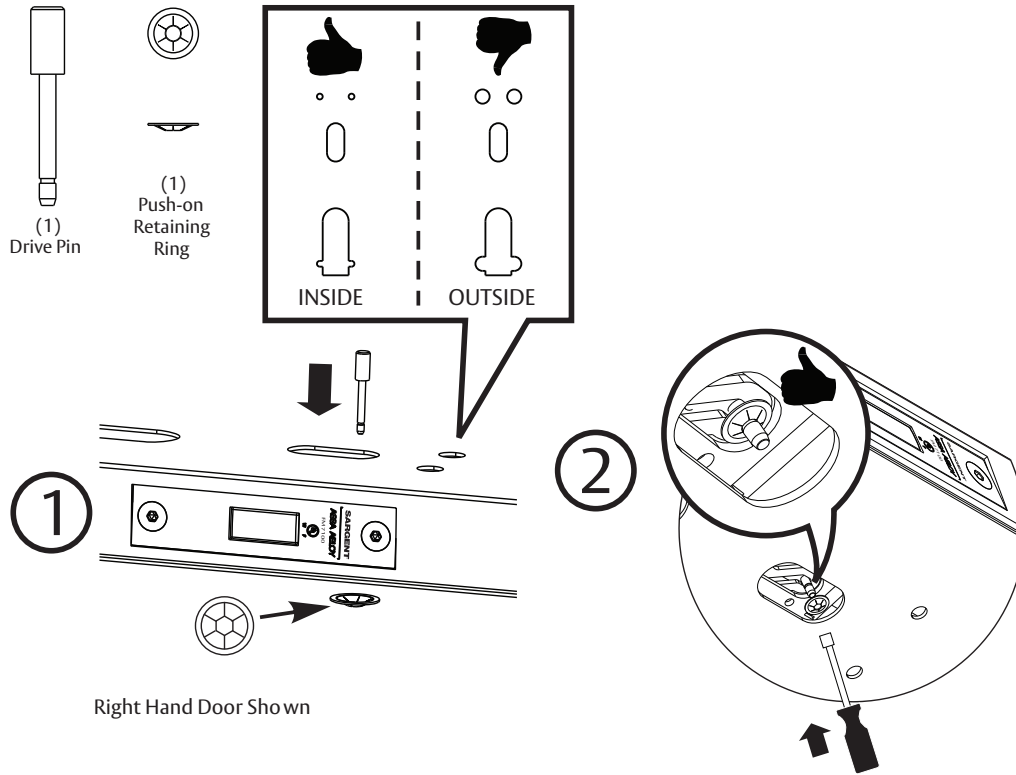
Multi-Point Lock

Installation Instructions



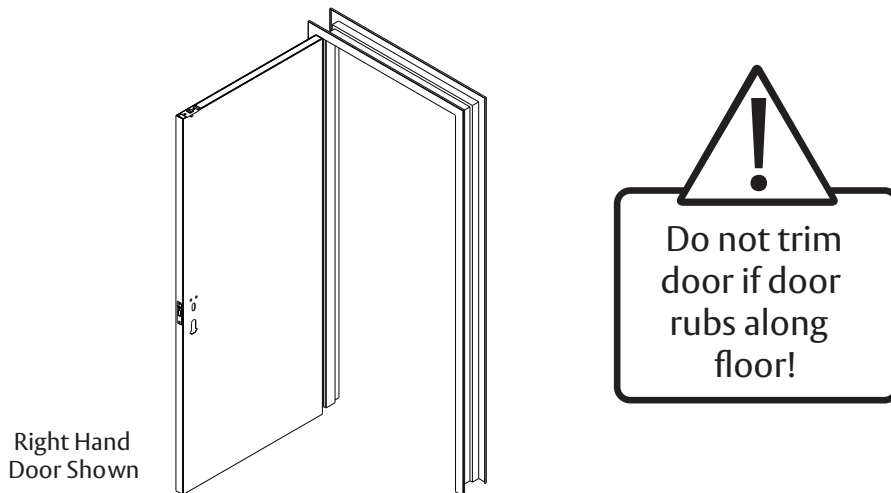
11

Pin Three Assemblies



12

Mount Door to Frame



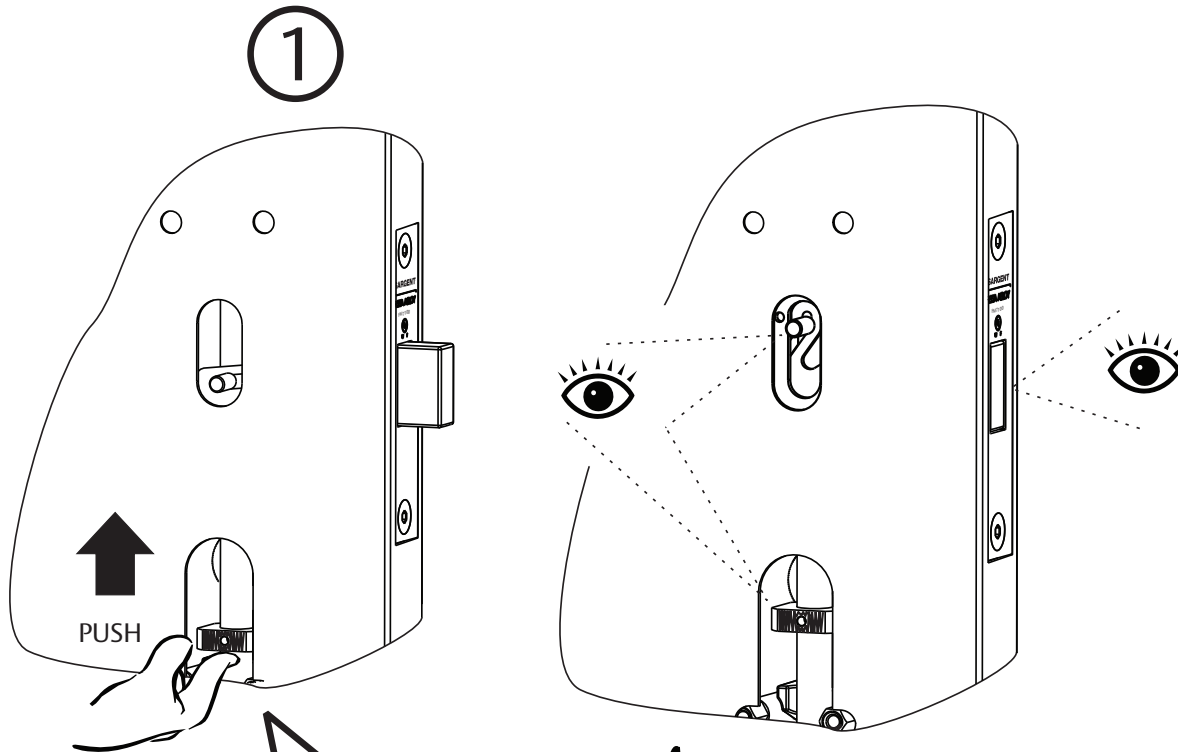
For installation assistance contact Corbin Russwin
1-800-543-3658 • techsupport.corbinrusswin@assaabloy.com

FM276 08/22

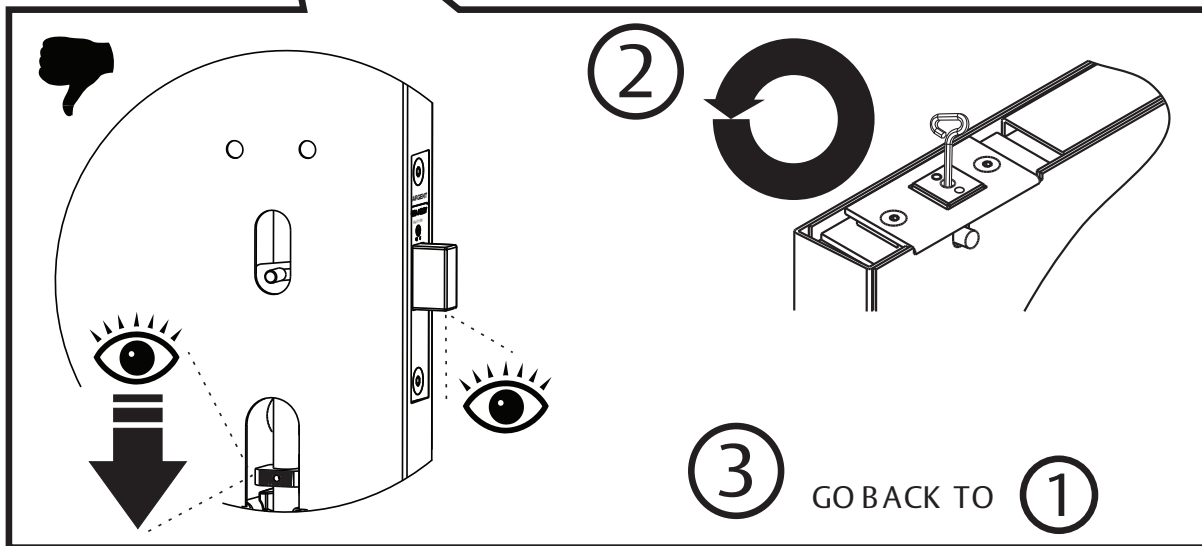
Copyright © 2016, 2022, ASSA ABLOY Access and Egress Hardware Group, Inc. All rights reserved. Reproduction in whole or in part without the express written permission of ASSA ABLOY Access and Egress Hardware Group, Inc. is prohibited.

13

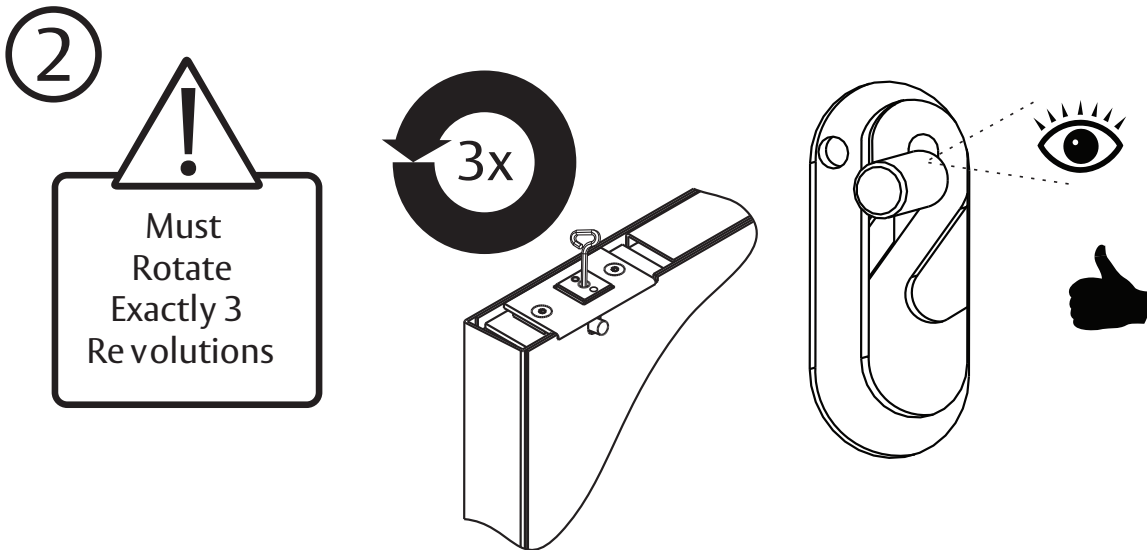
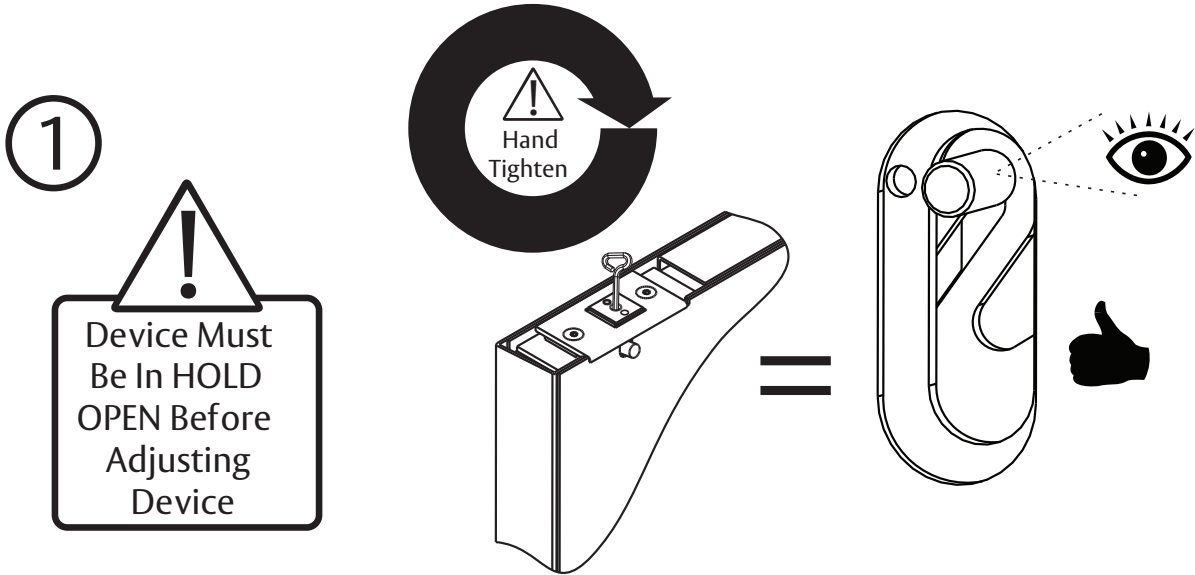
Check for Hold Open



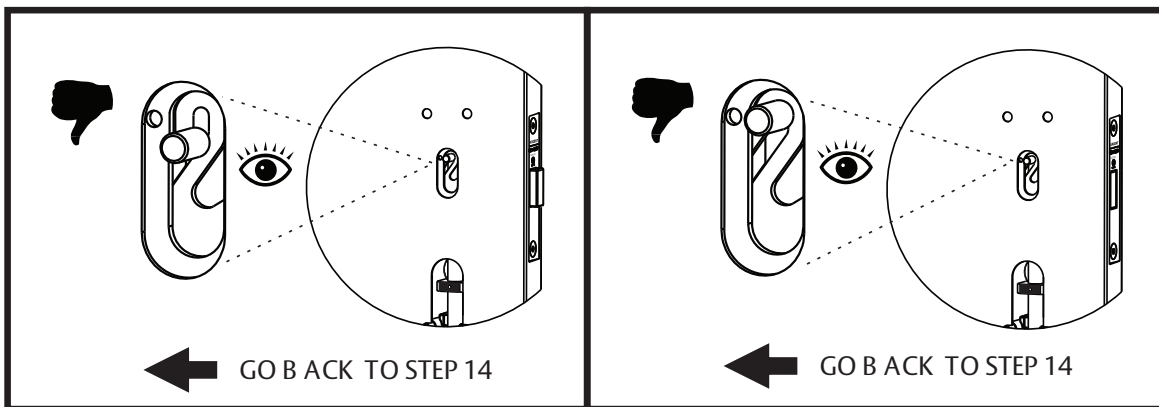
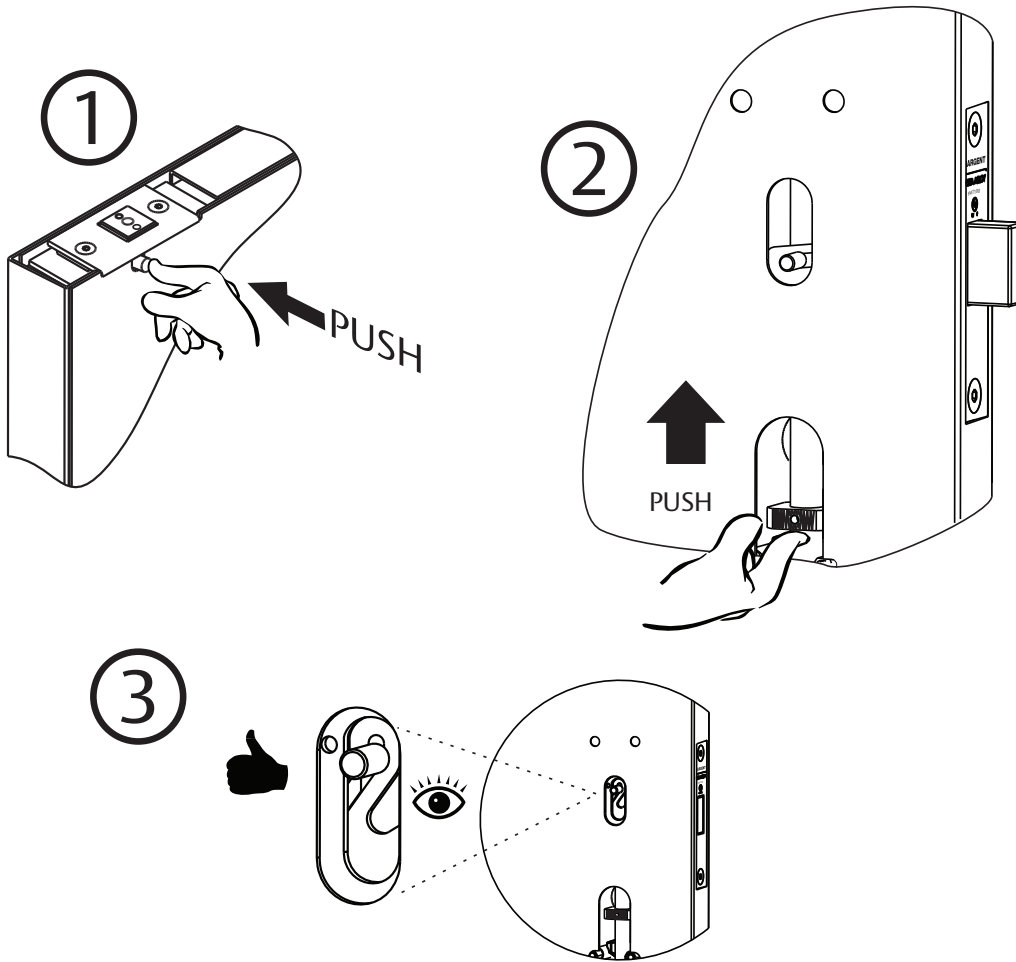
GO TO STEP 14



14 Adjust Device



15 Trigger Device & Final Check



For installation assistance contact Corbin Russwin
1-800-543-3658 • techsupport.corbinrusswin@assaabloy.com

Copyright © 2016, 2022, ASSA ABLOY Access and Egress Hardware Group, Inc. All rights reserved. Reproduction in whole or in part without the express written permission of ASSA ABLOY Access and Egress Hardware Group, Inc. is prohibited.

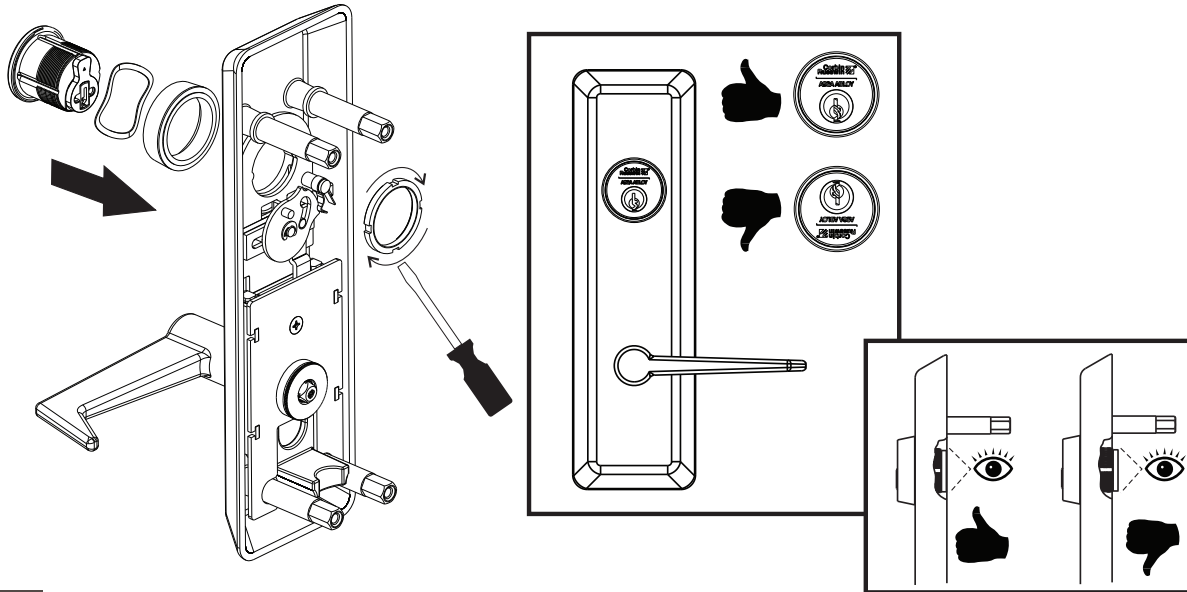
FE6800 Series

Multi-Point Lock

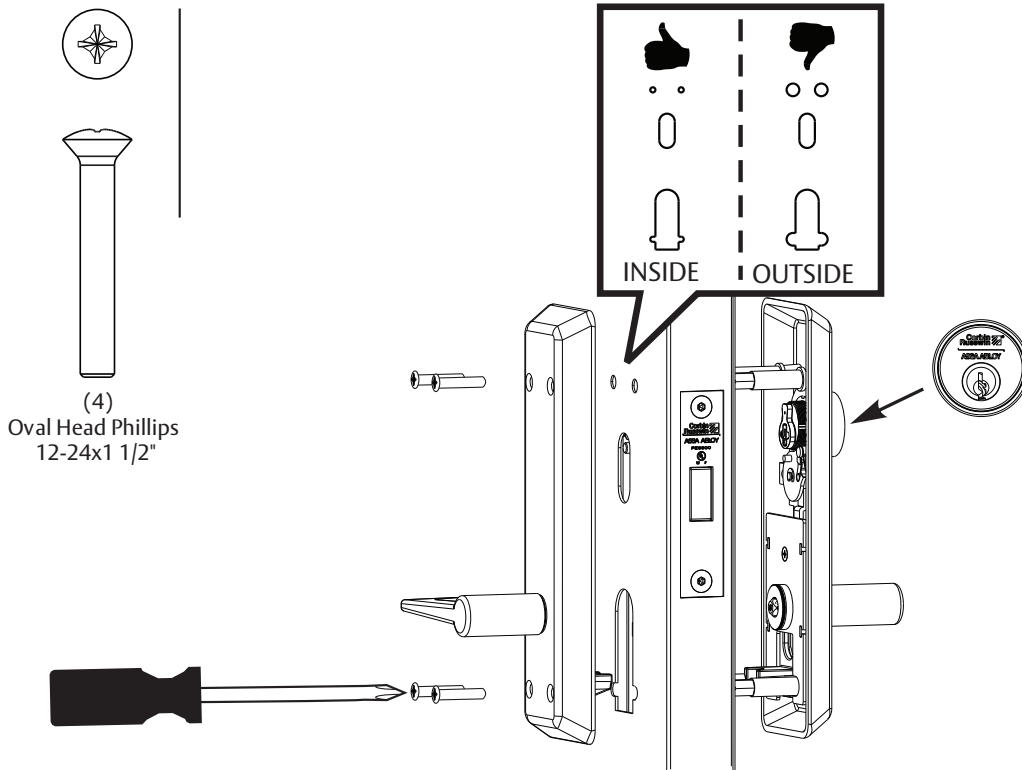
Installation Instructions



16 Assemble Cylinder into Outside Trim



17 Mount Outside and Inside Trim



For installation assistance contact Corbin Russwin
1-800-543-3658 • techsupport.corbinrusswin@assaabloy.com

Copyright © 2016, 2022, ASSA ABLOY Access and Egress Hardware Group, Inc. All rights reserved. Reproduction in whole or in part without the express written permission of ASSA ABLOY Access and Egress Hardware Group, Inc. is prohibited.

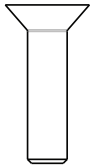
FE6800 Series

Multi-Point Lock

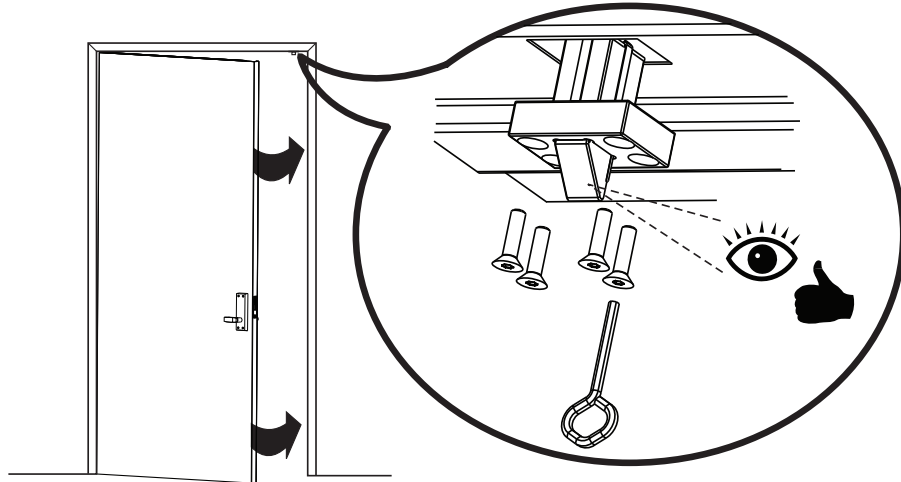
Installation Instructions



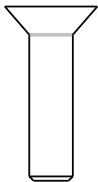
18 Install Top Latch into Door Frame



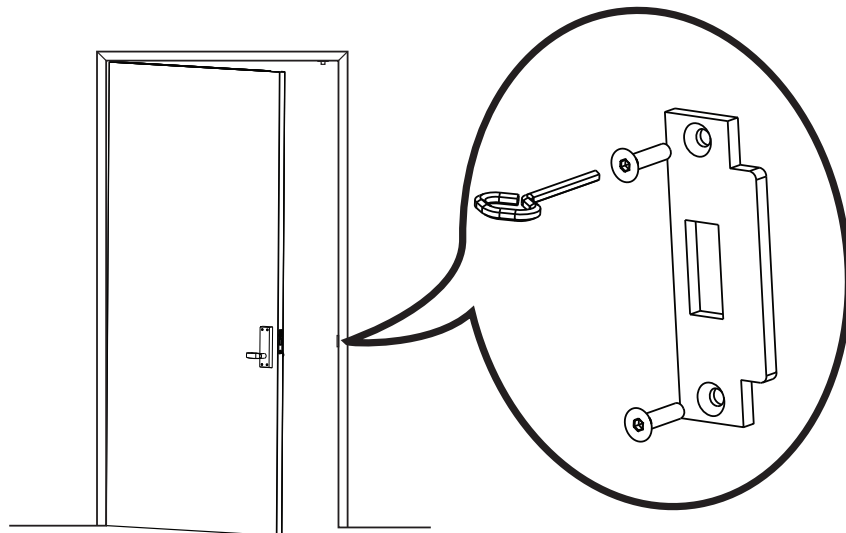
(4)
Flat Head Hex Socket
1/4-20x1"



19 Attach Deadbolt Strike Plate to Frame



(2)
Flat Head Hex Socket
1/4-20x1"



For installation assistance contact Corbin Russwin
1-800-543-3658 • techsupport.corbinrusswin@assaabloy.com

FM276 08/22

FE6800 Series

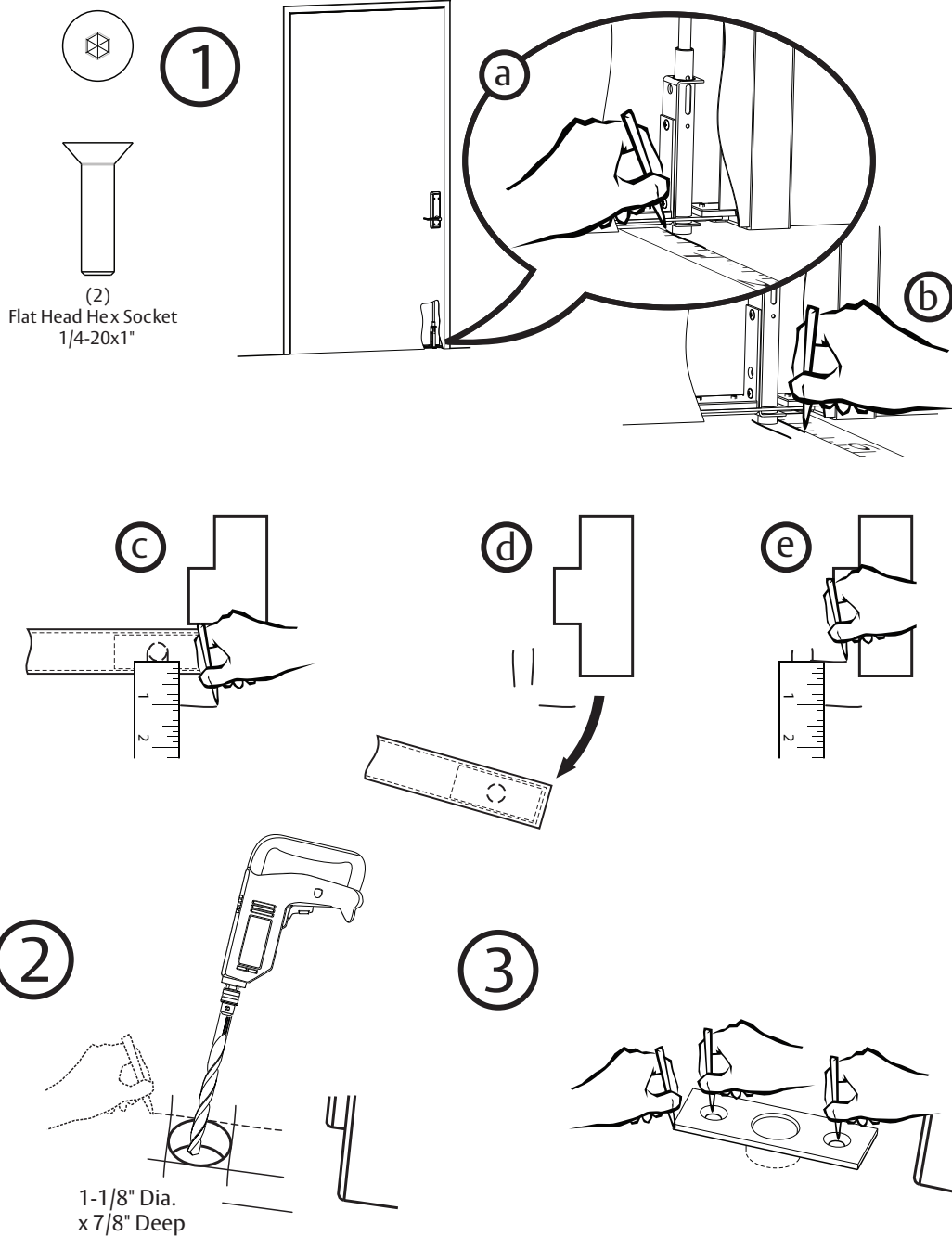
Multi-Point Lock

Installation Instructions



20

Prepare Floor for Bottom Strike



For installation assistance contact Corbin Russwin
1-800-543-3658 • techsupport.corbinrusswin@assaabloy.com

FM276 08/22

Copyright © 2016, 2022, ASSA ABLOY Access and Egress Hardware Group, Inc. All rights reserved. Reproduction in whole or in part without the express written permission of ASSA ABLOY Access and Egress Hardware Group, Inc. is prohibited.

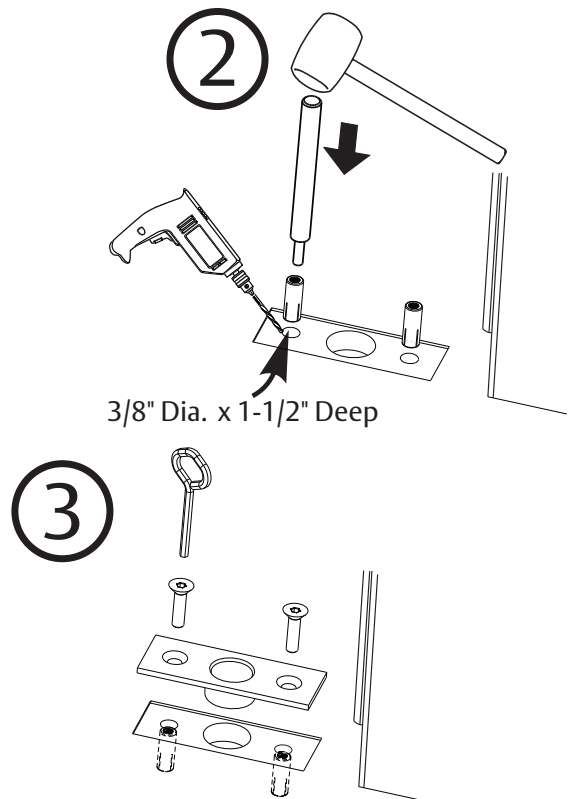
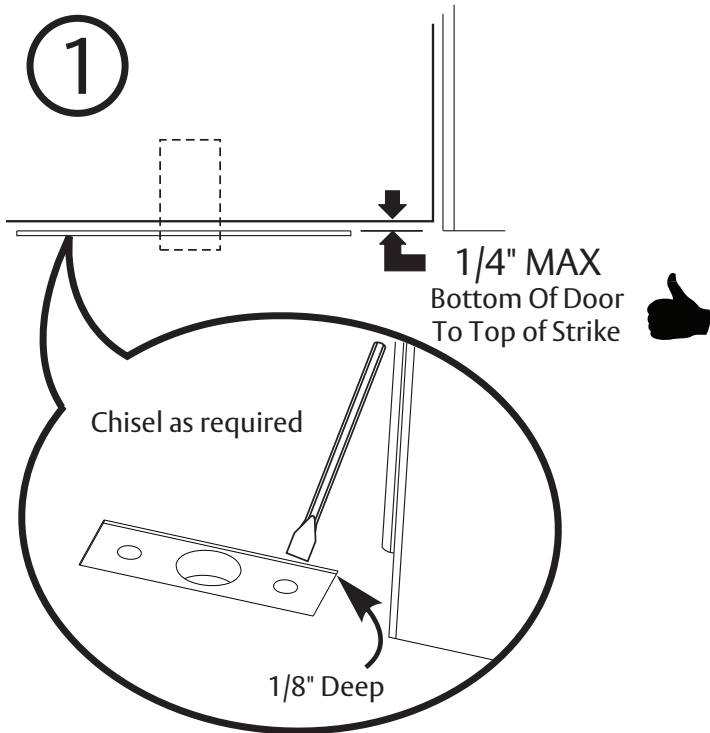
FE6800 Series

Multi-Point Lock

Installation Instructions



21 Install Bottom Strike



For installation assistance contact Corbin Russwin
1-800-543-3658 • techsupport.corbinrusswin@assaabloy.com

Copyright © 2016, 2022, ASSA ABLOY Access and Egress Hardware Group, Inc. All rights reserved. Reproduction in whole or in part without the express written permission of ASSA ABLOY Access and Egress Hardware Group, Inc. is prohibited.

FM276 08/22

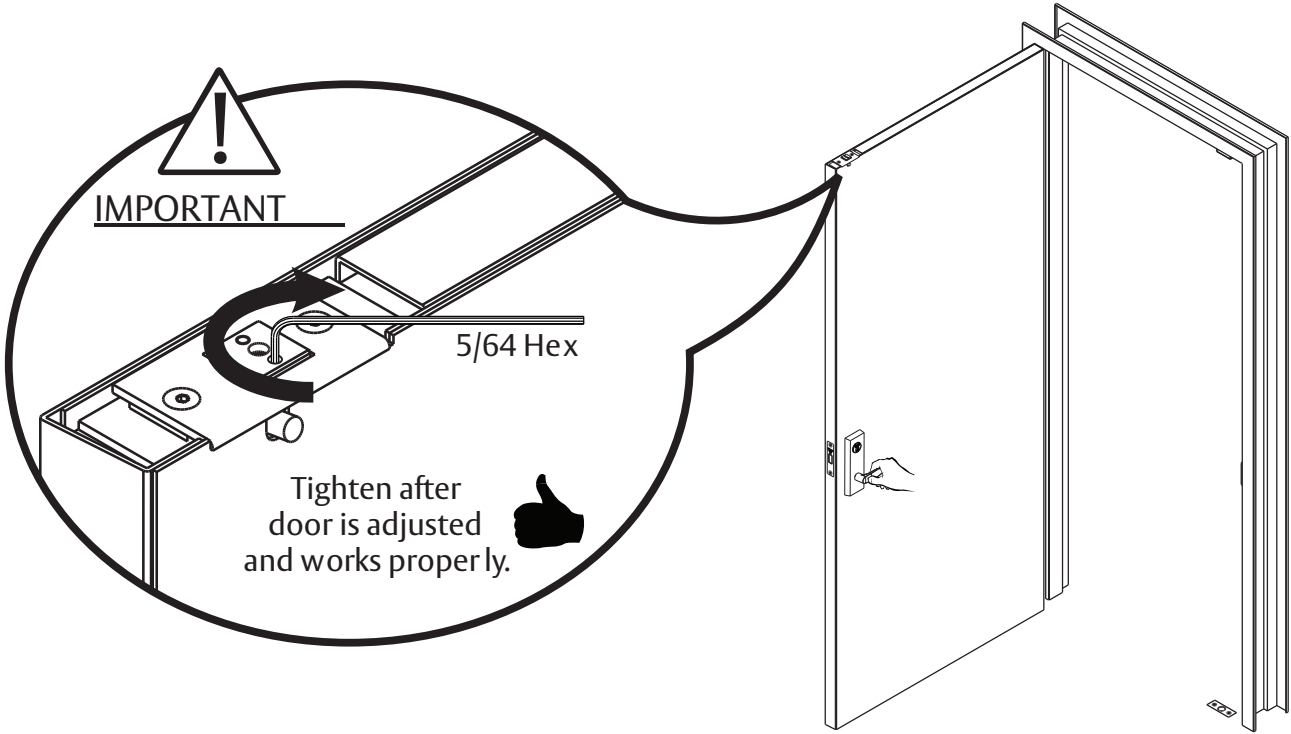
FE6800 Series

Multi-Point Lock

Installation Instructions



22 Test Installation



For installation assistance contact Corbin Russwin
1-800-543-3658 • techsupport.corbinrusswin@assaabloy.com

Copyright © 2016, 2022, ASSA ABLOY Access and Egress Hardware Group, Inc. All rights reserved. Reproduction in whole or in part without the express written permission of ASSA ABLOY Access and Egress Hardware Group, Inc. is prohibited.

 **WARNING**

This product can expose you to lead which is known to the state of California to cause cancer and birth defects or other reproductive harm. For more information go to www.P65warnings.ca.gov.

For installation assistance contact Corbin Russwin
1-800-543-3658 • techsupport.corbinrusswin@assaabloy.com

Copyright © 2016, 2022, ASSA ABLOY Access and Egress Hardware Group, Inc. All rights reserved. Reproduction in whole or in part without the express written permission of ASSA ABLOY Access and Egress Hardware Group, Inc. is prohibited.

FM276 08/22

Experience a safer
and more open world