

Installation Instructions

FE6800 Series Multi-Point Lock



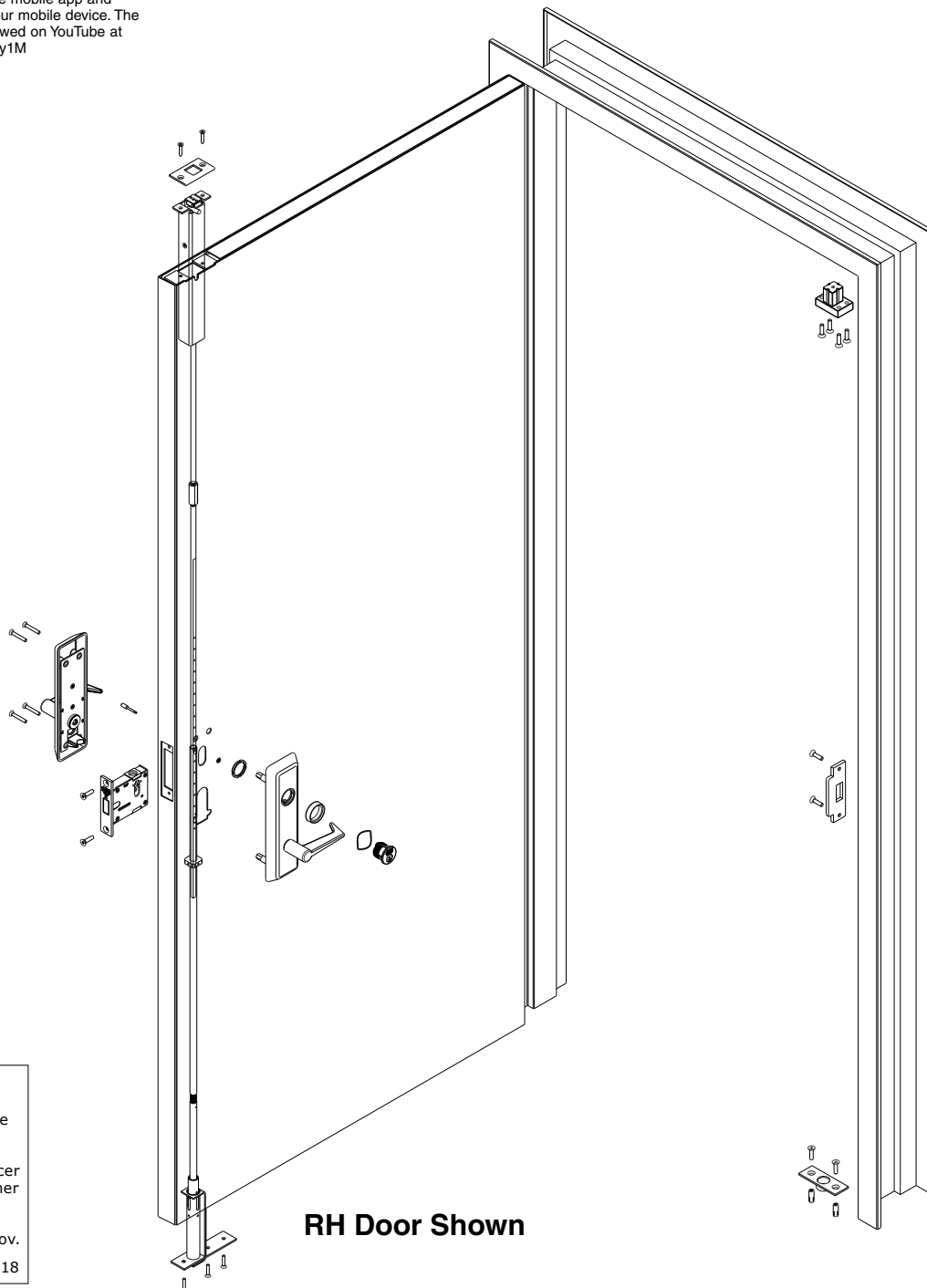
ASSA ABLOY

In U.S.:
Corbin Russwin, Inc.
225 Episcopal Road
Berlin, CT 06037 USA
www.corbinrusswin.com

In Canada:
ASSA ABLOY Door Security Solutions Canada
160 Four Valley Drive
Vaughan, Ontario, Canada L4K4T9
www.assaabloy.ca

Technical Product Support: Phone: 888-607-5703

To view the QR Code video clips within this document, download a free mobile app and scan the QR Code with your mobile device. The complete video can be viewed on YouTube at <https://youtu.be/Rj8Q1gJsy1M>

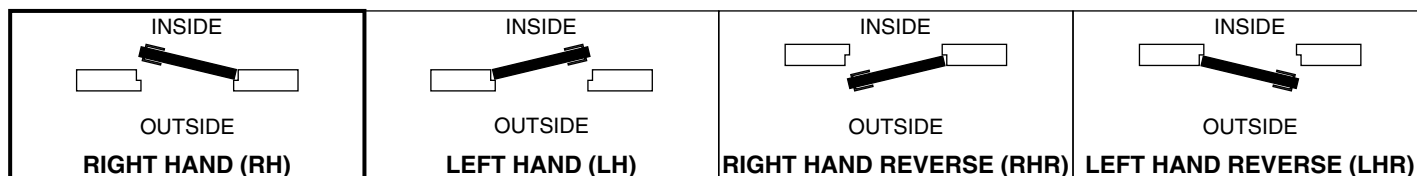


RH Door Shown

WARNING

This product can expose you to lead which is known to the state of California to cause cancer and birth defects or other reproductive harm. For more information go to www.P65warnings.ca.gov.

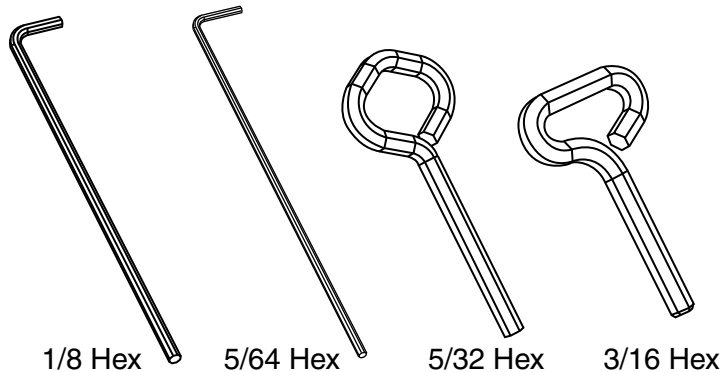
08/2018



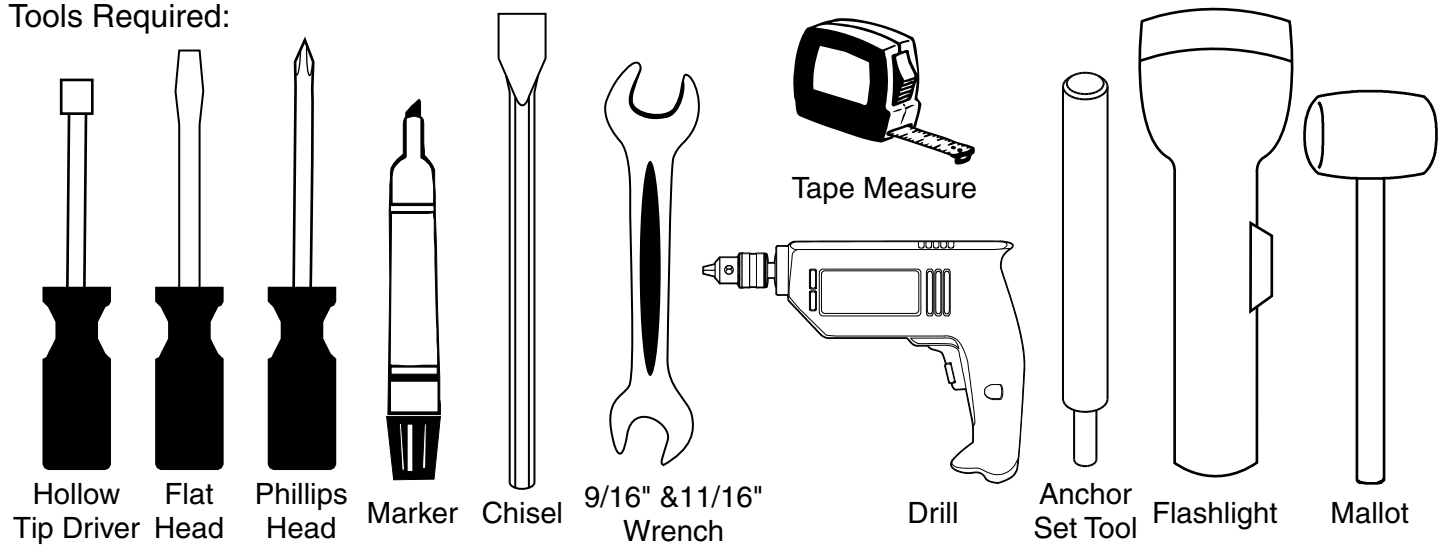


This device is intended to be part of an integrated door, frame and hardware assembly UL-approved for both FEMA 361 and FEMA 320 guidelines for both in-swing and out-swing doors.

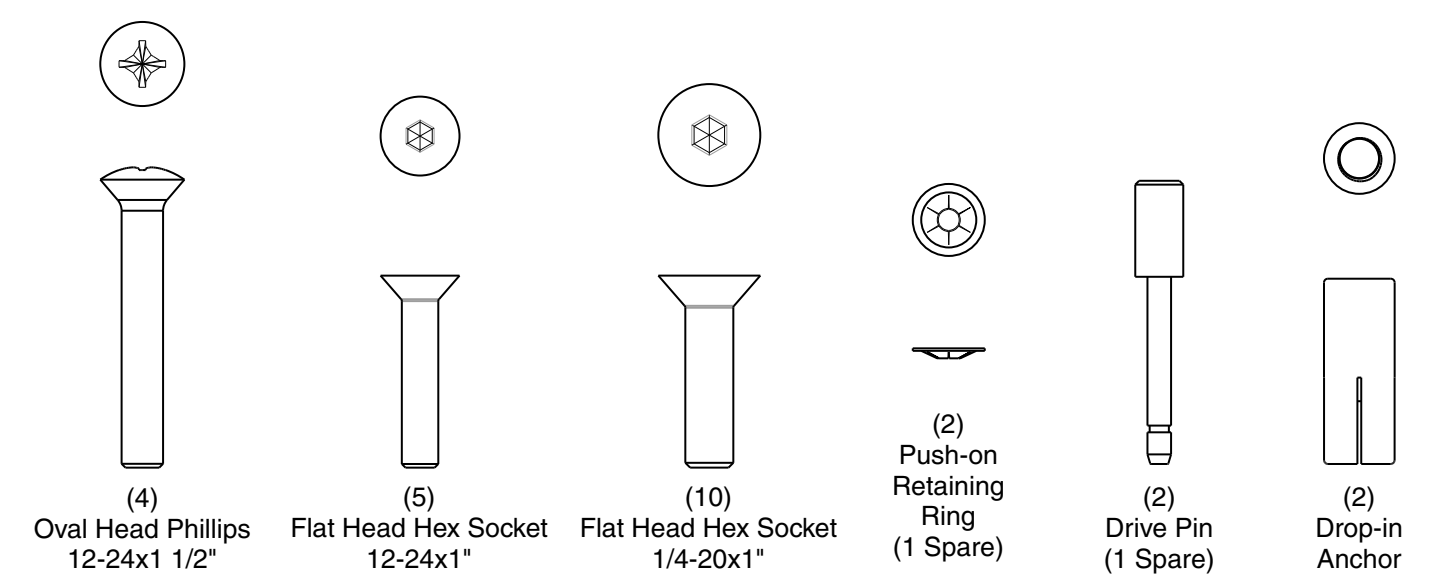
Tools Supplied



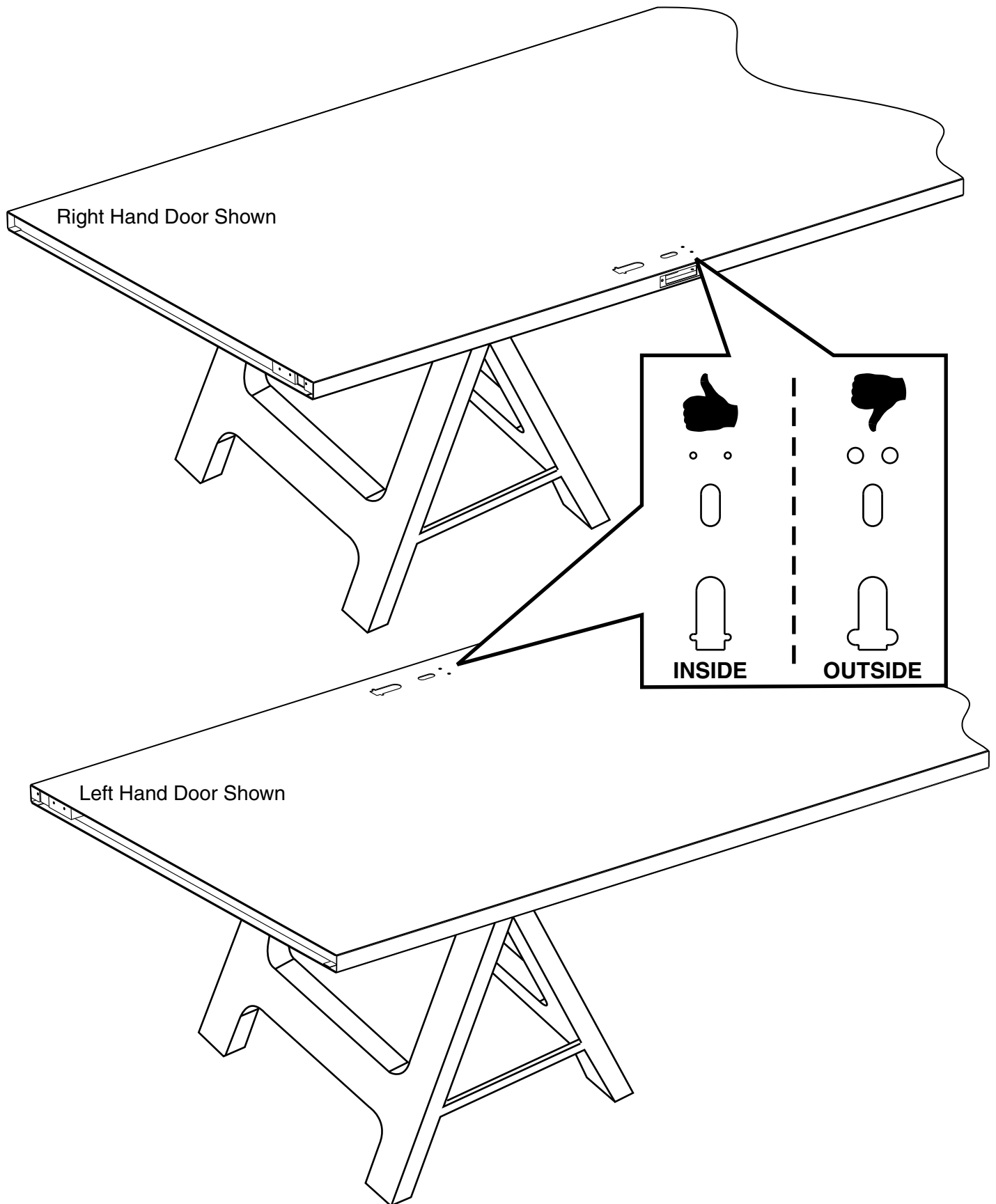
Tools Required:



Mounting Hardware (Full Scale):



VERIFY HANDING



VERIFY DOOR DIMENSIONS

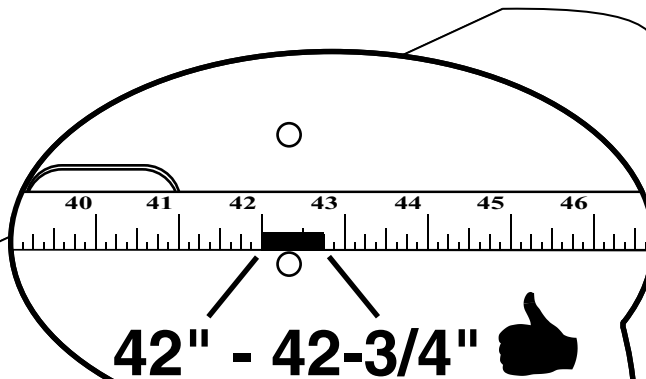
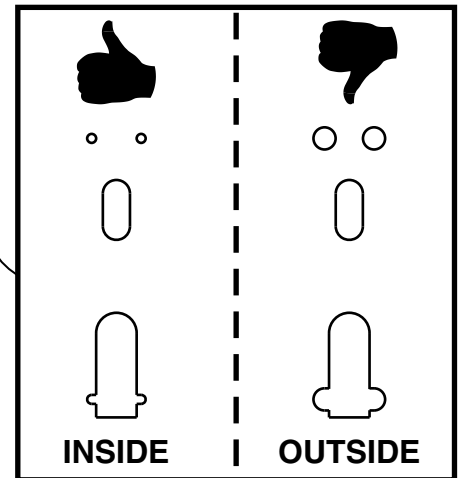
WARNING

LOCK IN condition can occur and **EMERGENCY EGRESS** will be prevented if critical dimensions are not met.

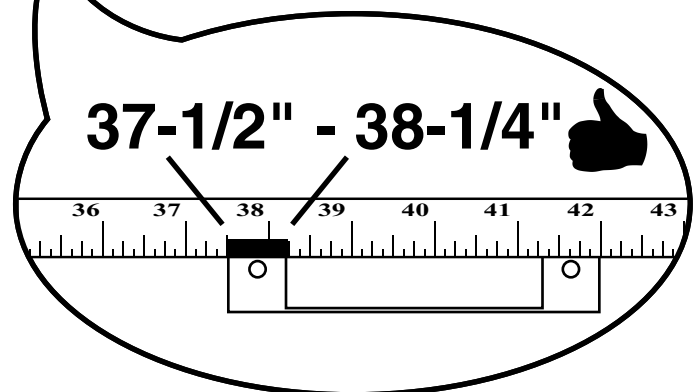
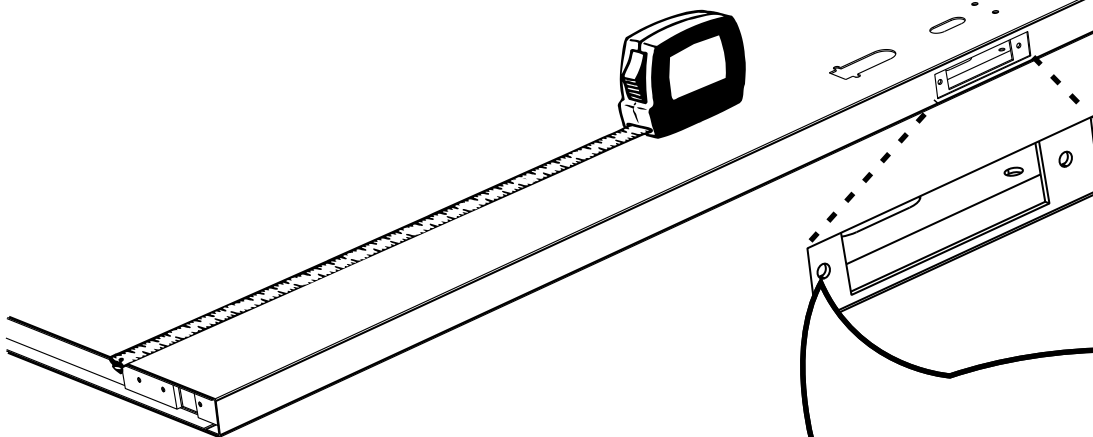
Device will not operate, if door cutouts are not within the dimensions below.



Required
Door
Dimensions

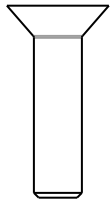
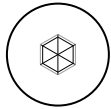


Right Hand Door Shown



If door does not match above dimensions, contact door manufacturer.

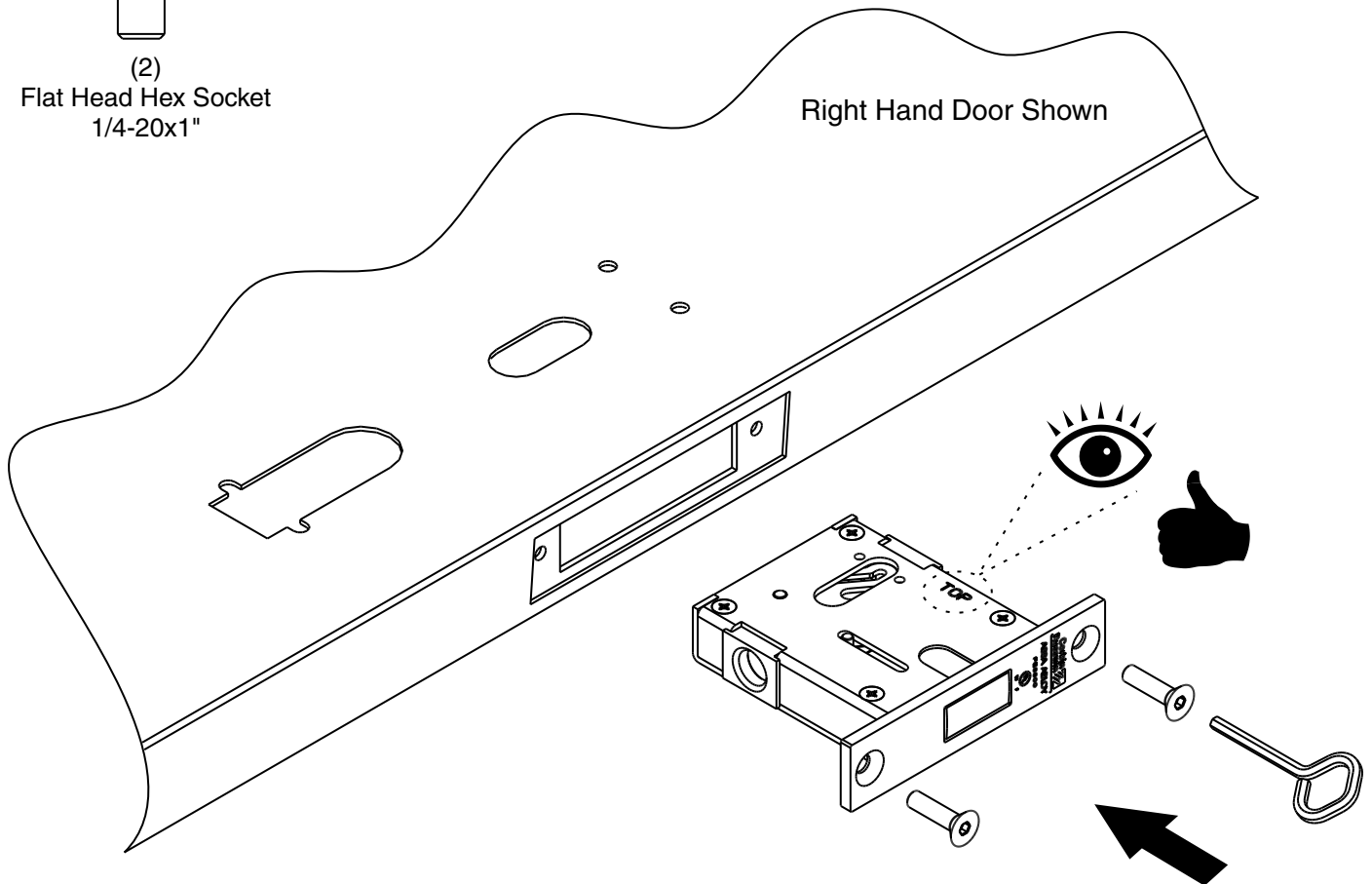
1. INSTALL DEADBOLT ASSEMBLY



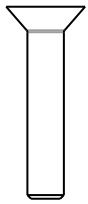
(2)
Flat Head Hex Socket
1/4-20x1"



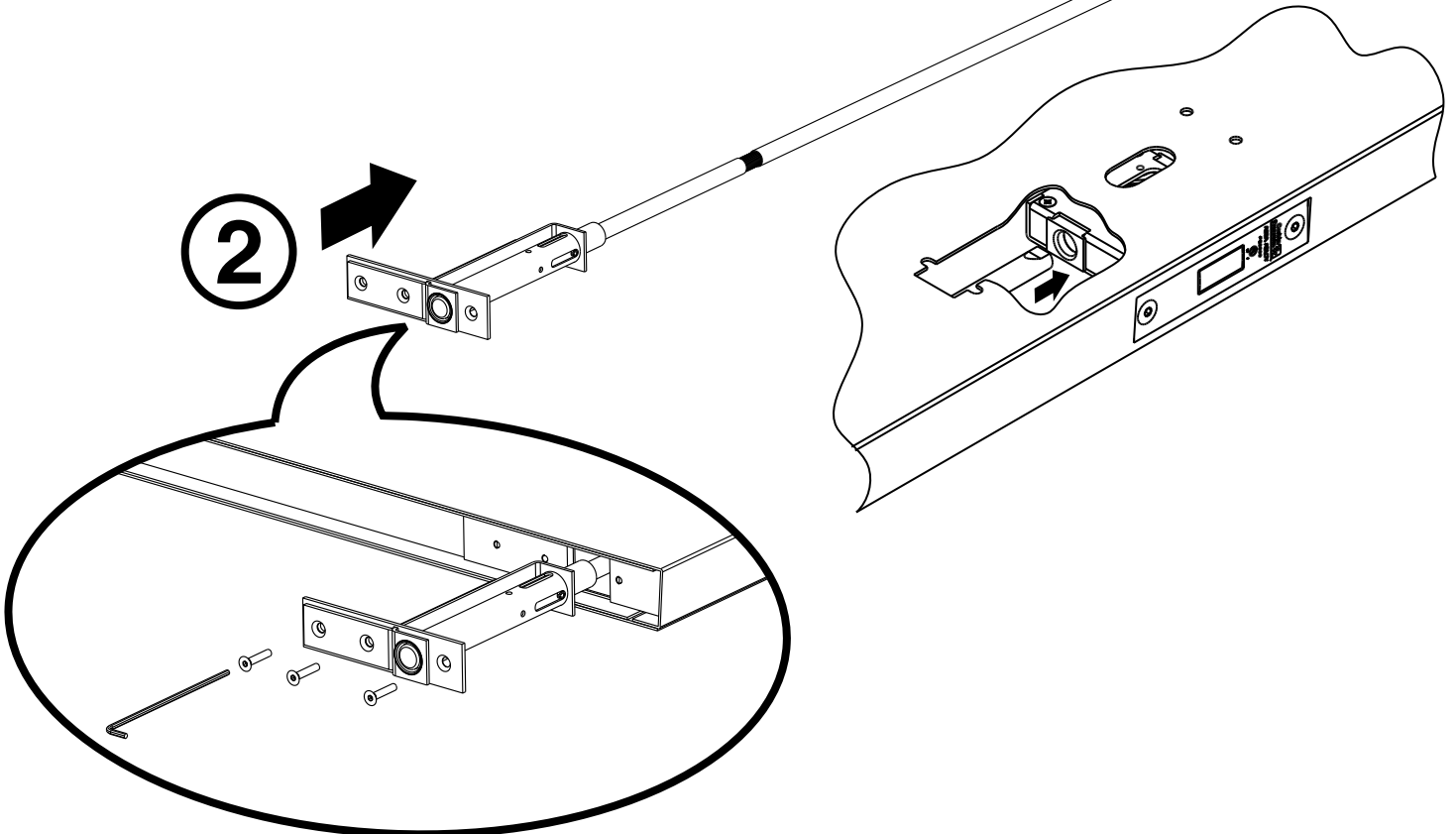
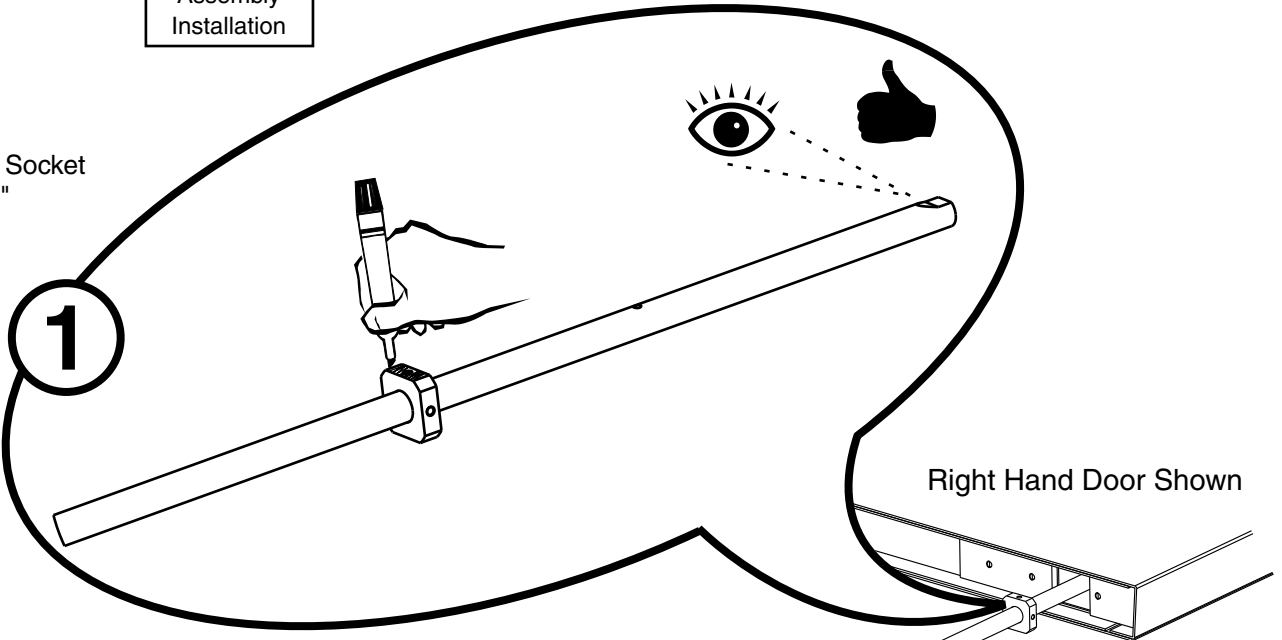
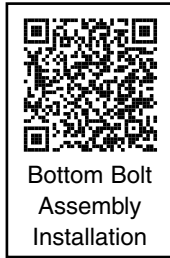
Deadbolt
Installation



2. INSTALL BOTTOM BOLT ASSEMBLY



(3)
Flat Head Hex Socket
12-24x1"



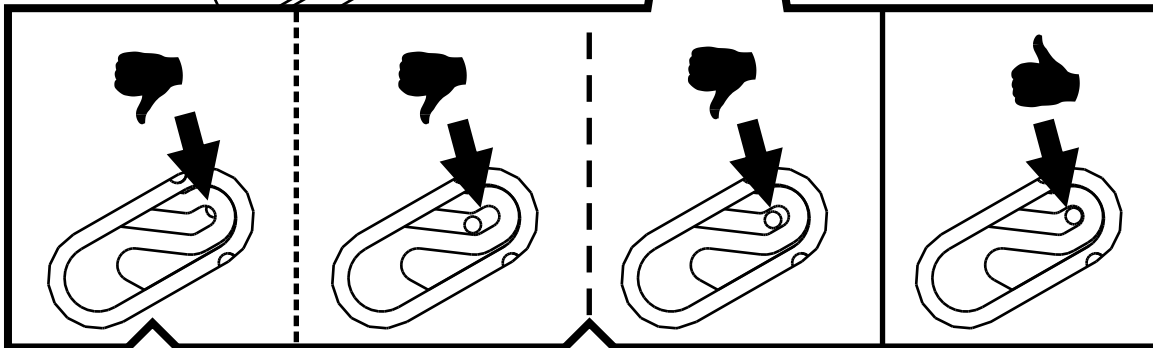
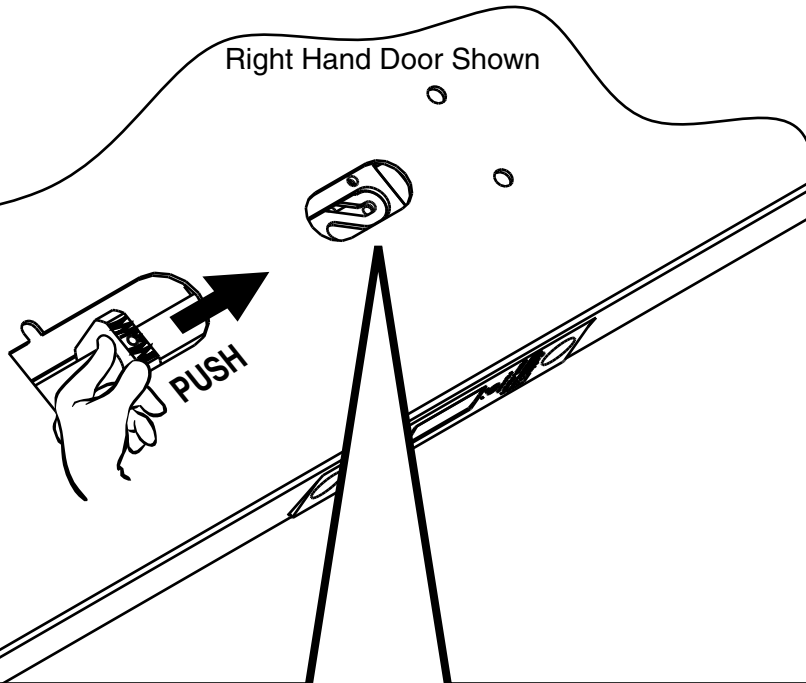
3. ALIGN BOTTOM BOLT ASSEMBLY



Bottom Bolt
Assembly
Alignment

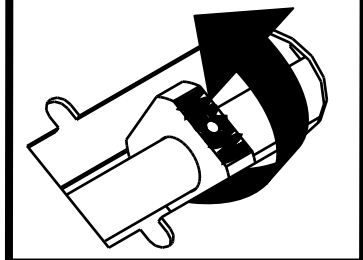
Right Hand Door Shown

1



2

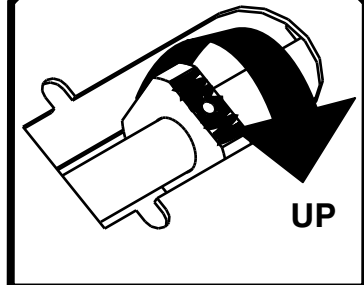
DOWN



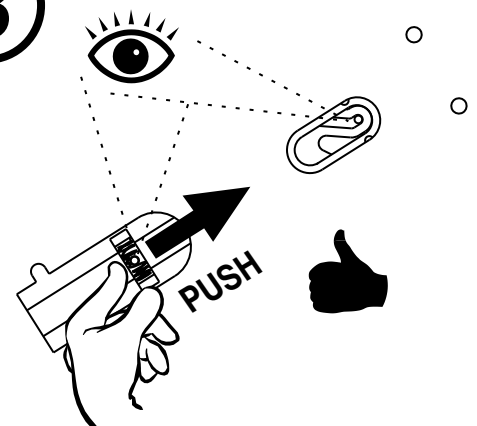
OR

2

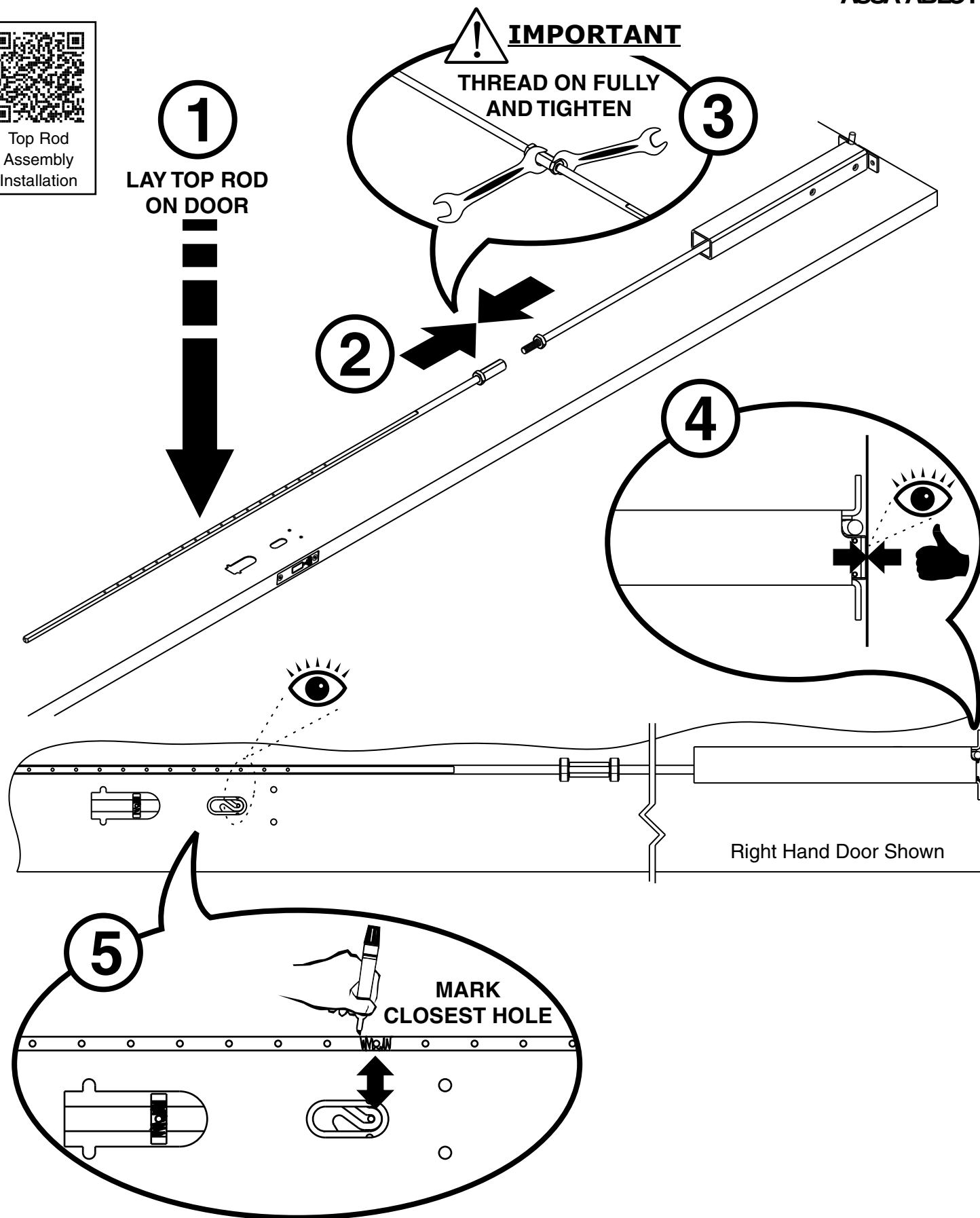
UP



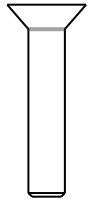
3



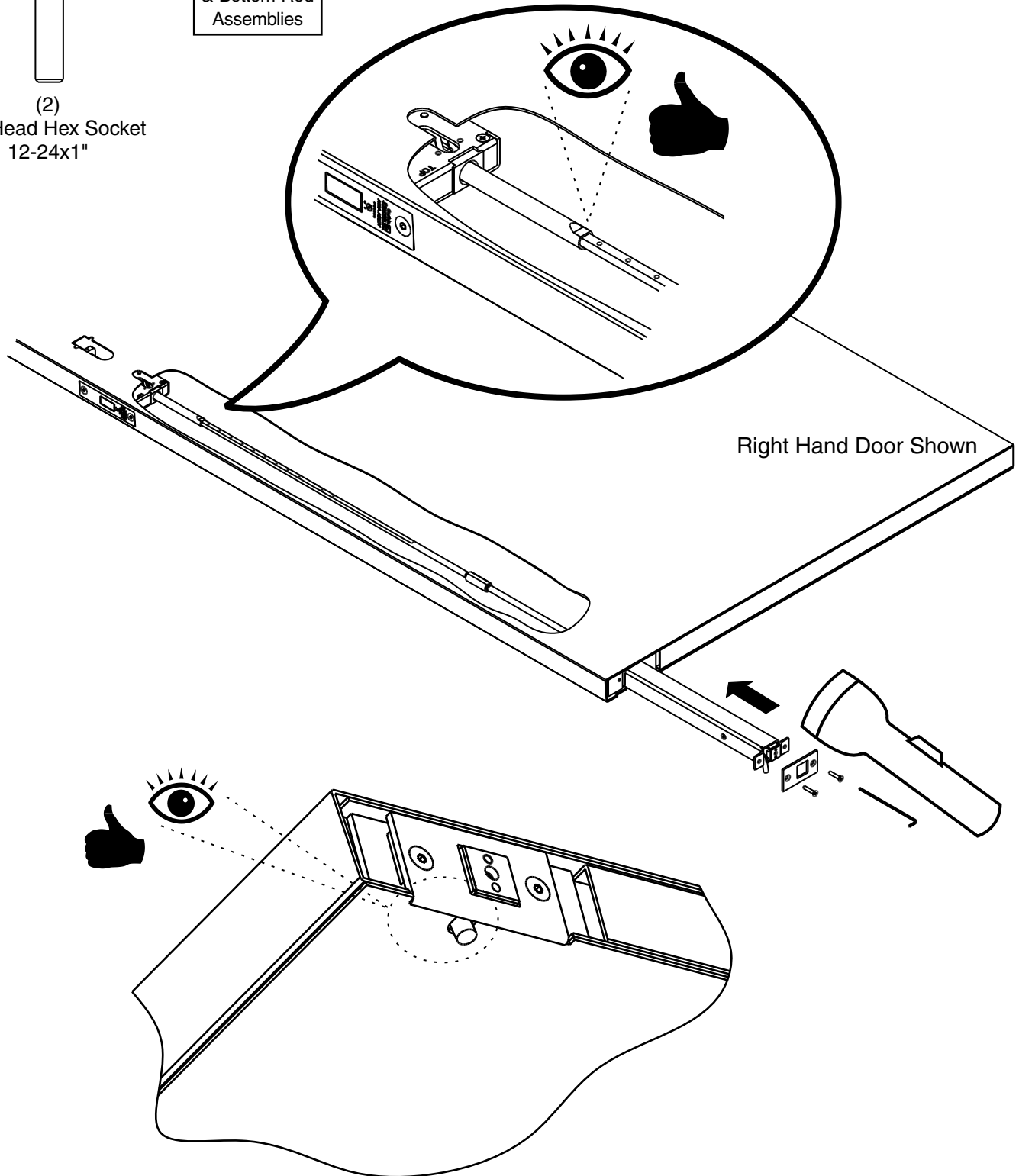
4. PREP TOP ASSEMBLY



5. INSTALL TOP ASSEMBLY



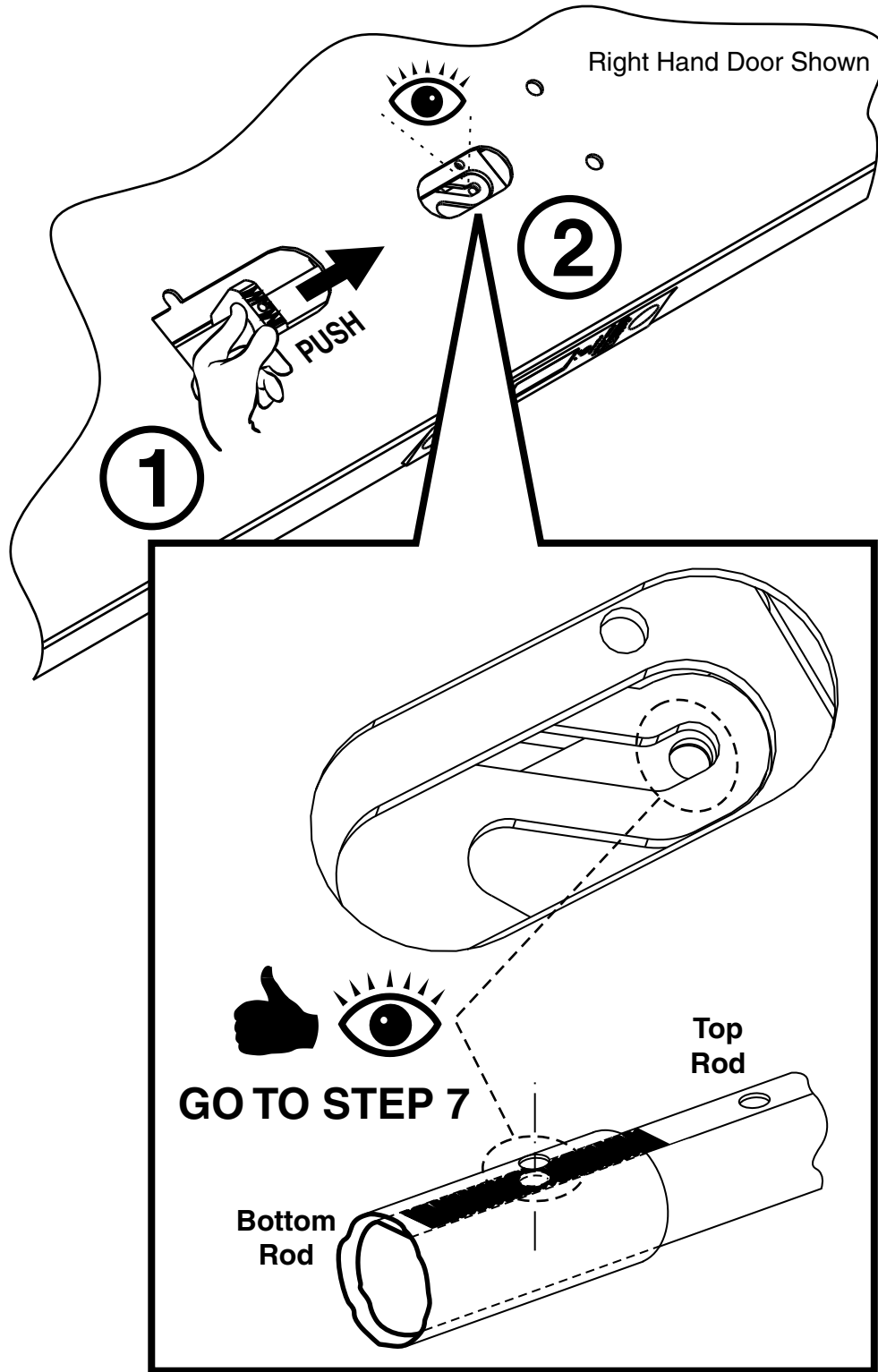
(2)
Flat Head Hex Socket
12-24x1"



6. ALIGN TOP & BOTTOM ROD PINNING HOLES



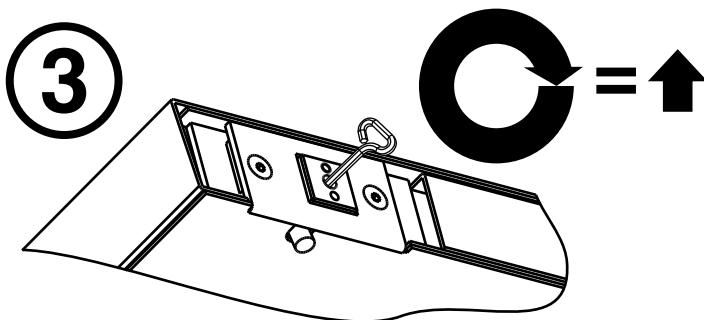
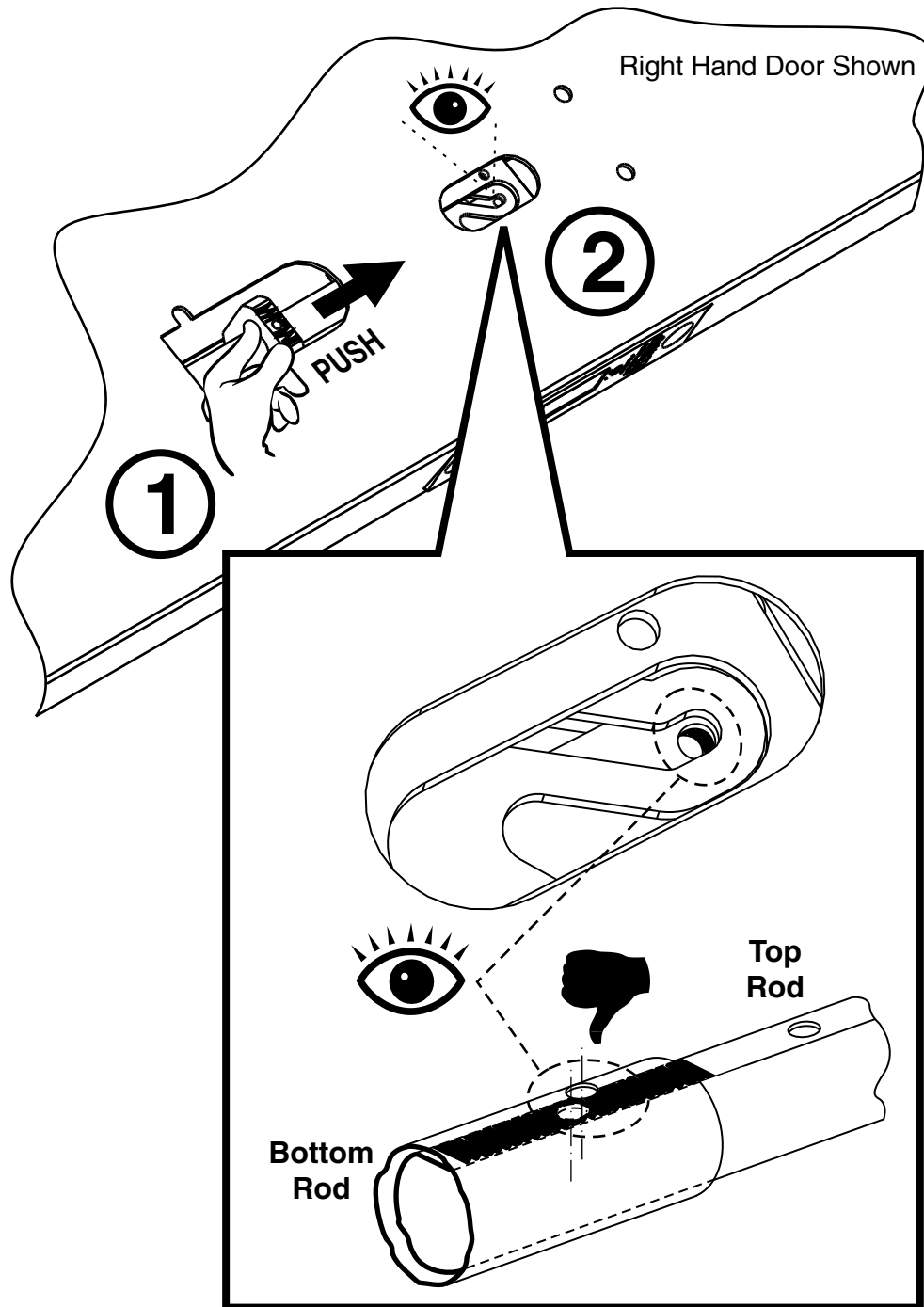
Align
Assembly
Pin Holes



6a. ADJUST MISALIGNED PINNING HOLES UP



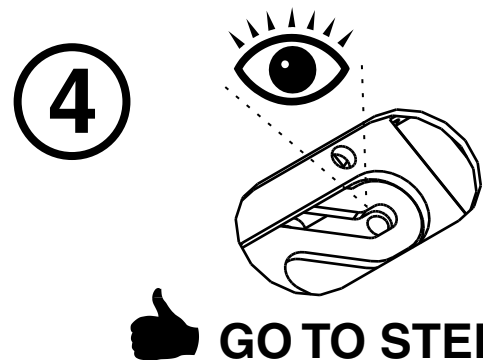
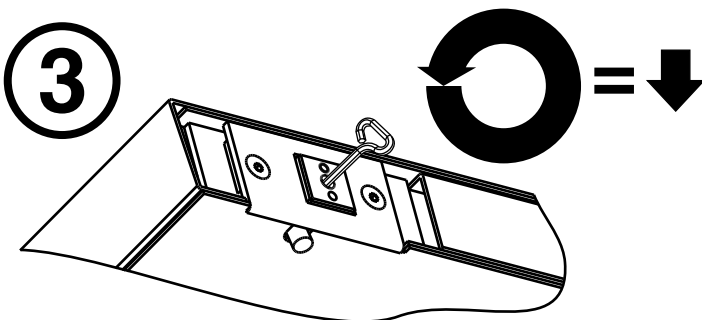
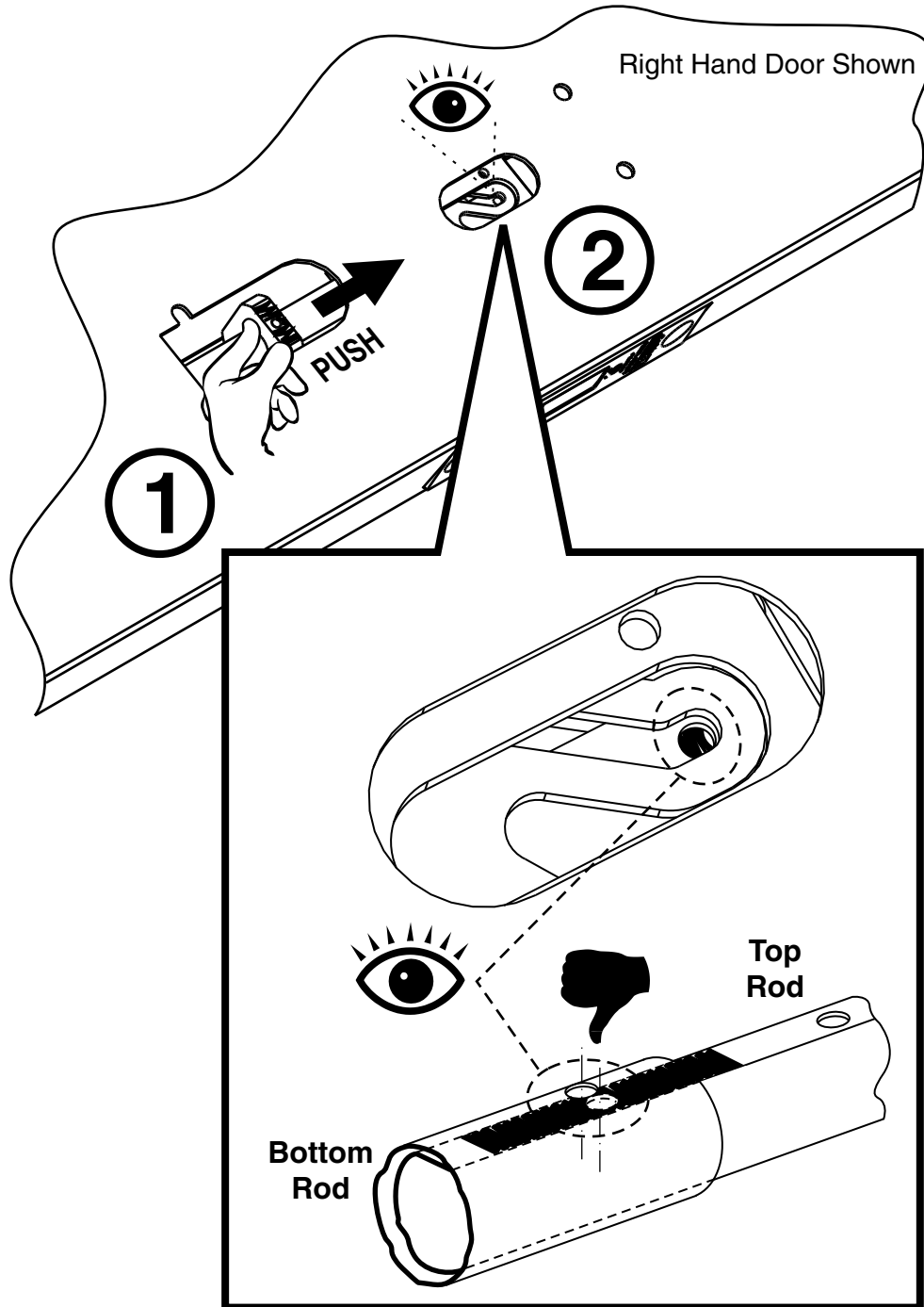
Adjust
Plunger
If Necessary



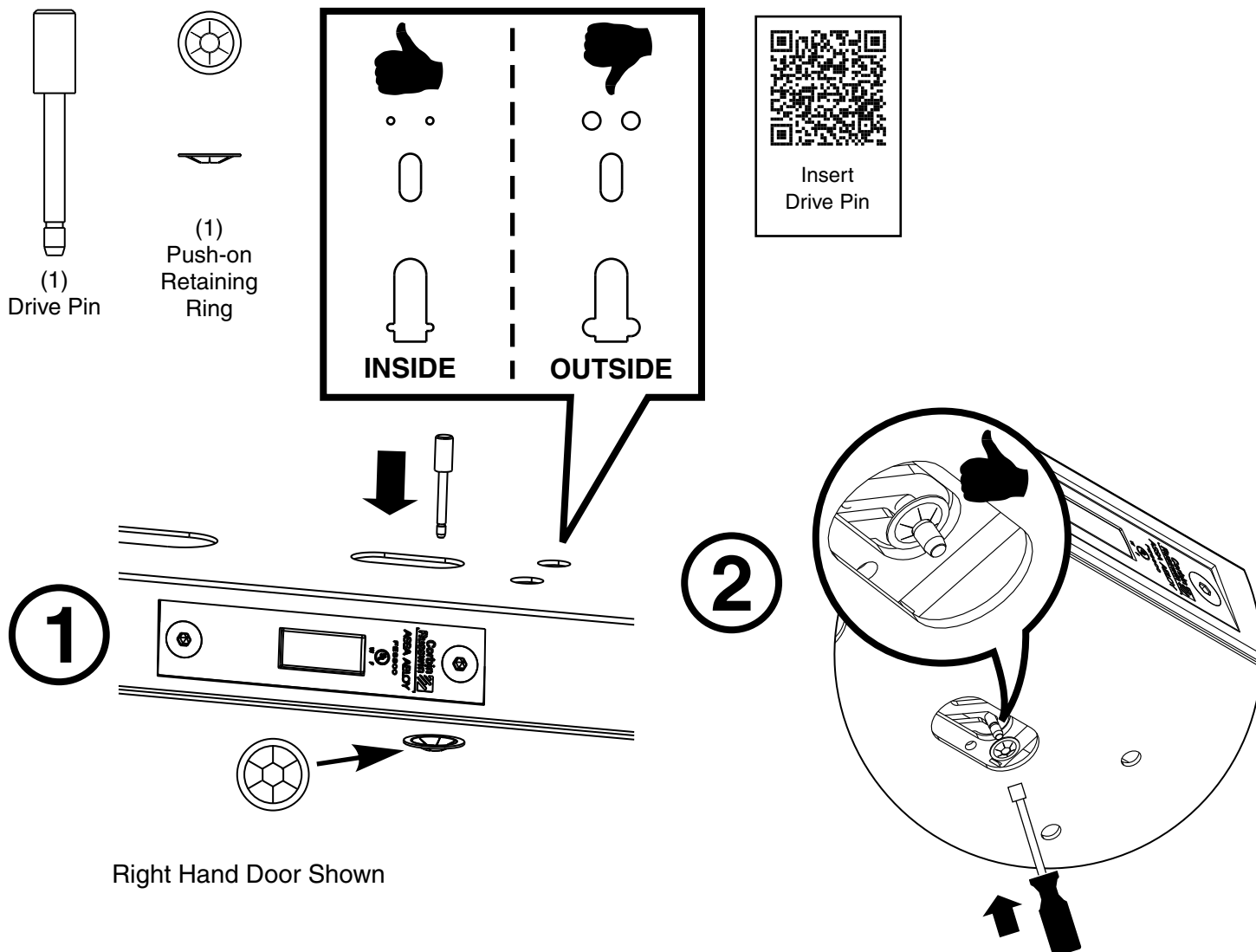
6b. ADJUST MISALIGNED PINNING HOLES DOWN



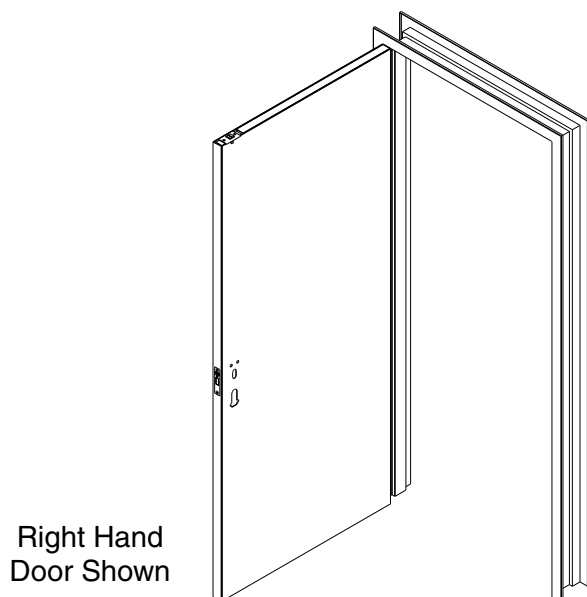
Adjust
Plunger
If Necessary



7. PIN THREE ASSEMBLIES



8. MOUNT DOOR TO FRAME

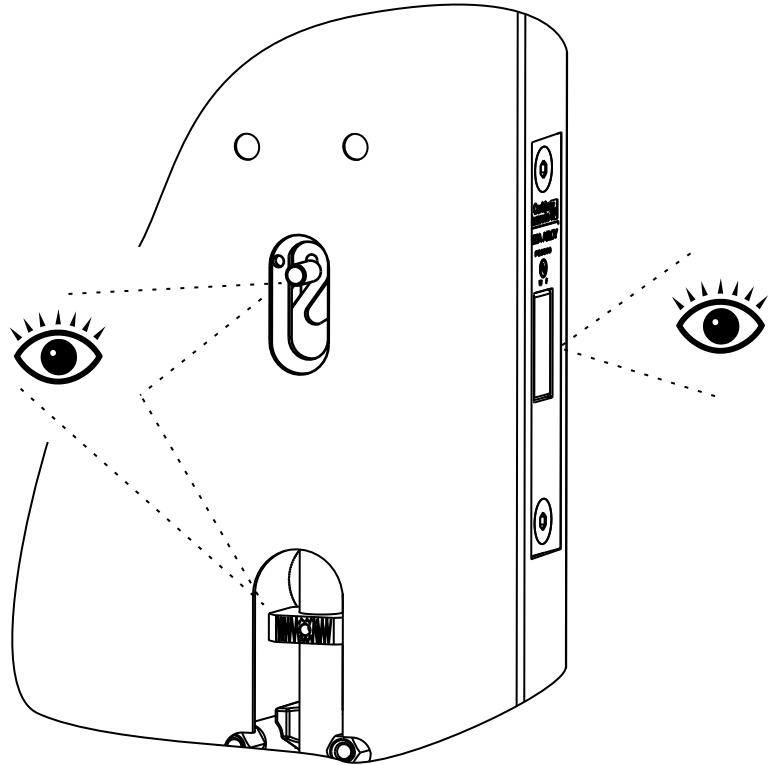
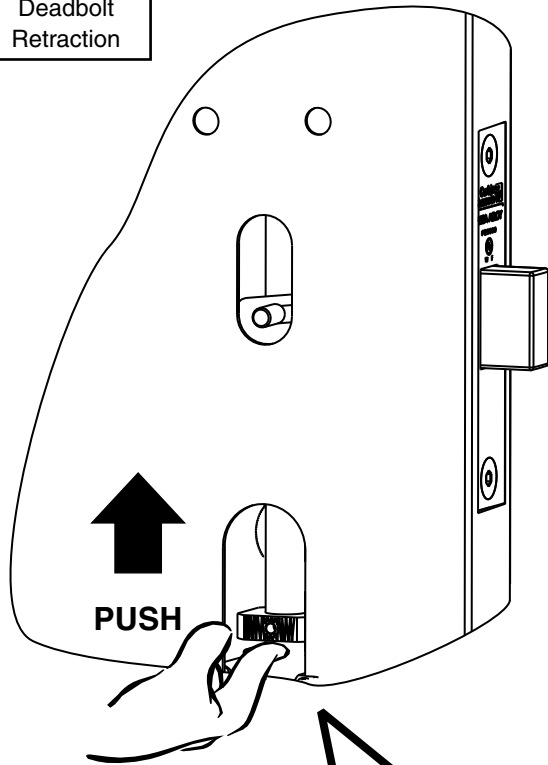


9. CHECK FOR HOLD OPEN

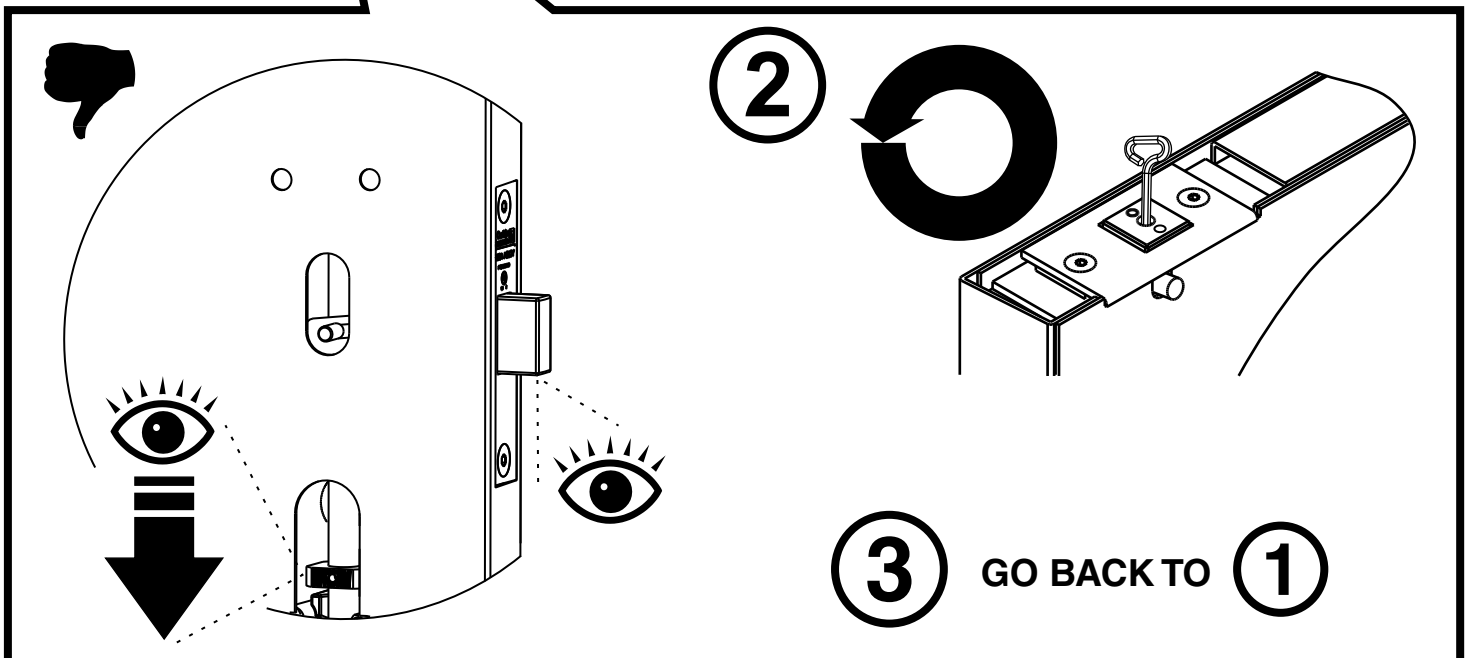


Test
Deadbolt
Retraction

1



GO TO STEP 10



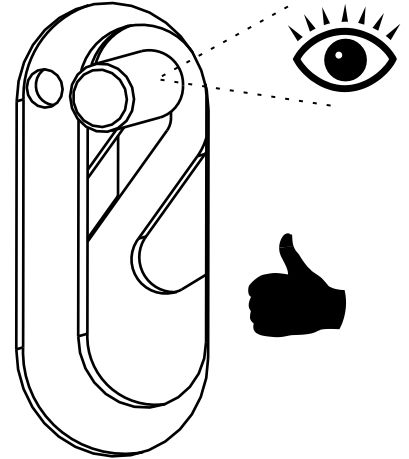
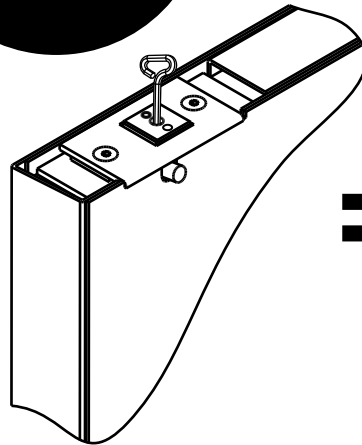
10. ADJUST DEVICE



Plunger
Rotations

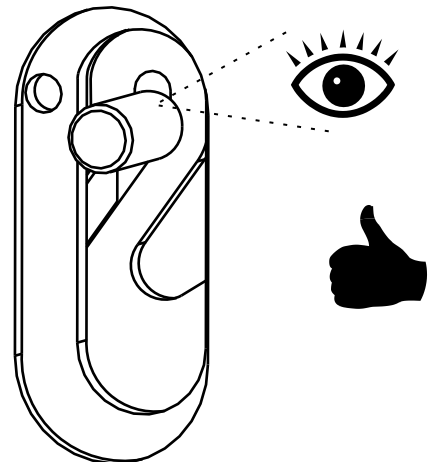
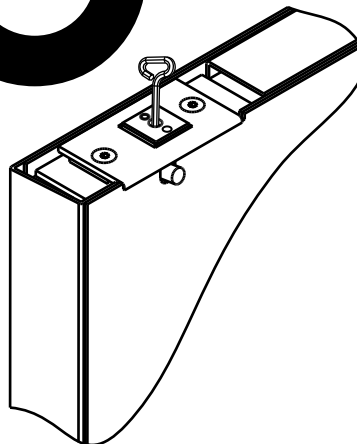
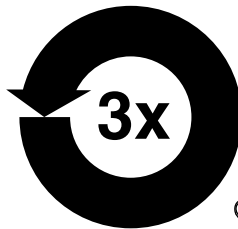
1

**Device Must
Be In HOLD
OPEN Before
Adjusting
Device**



2

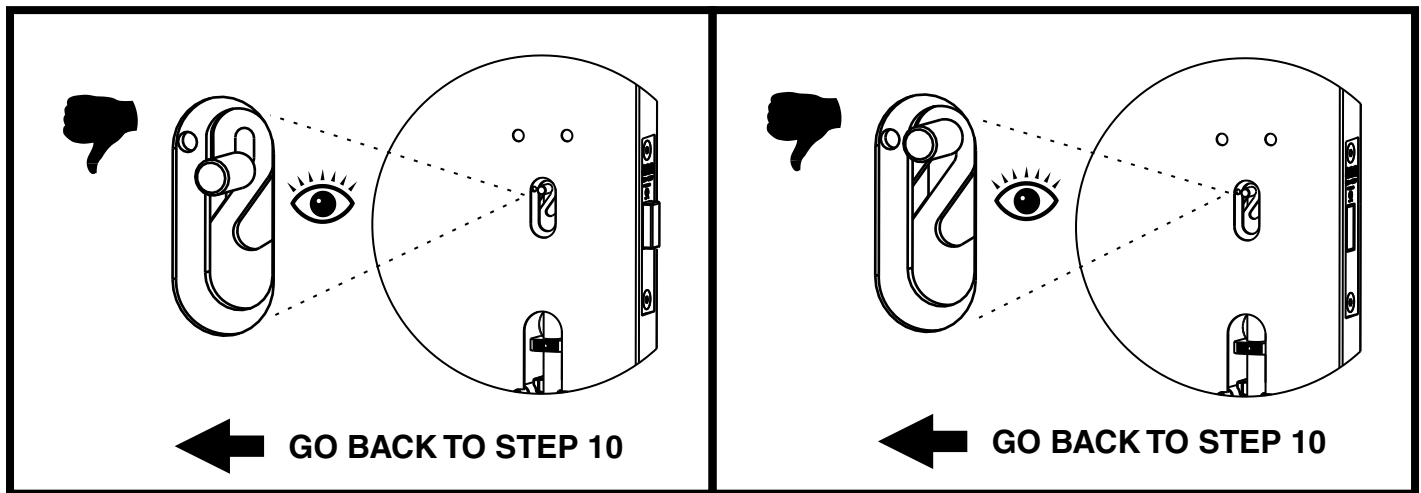
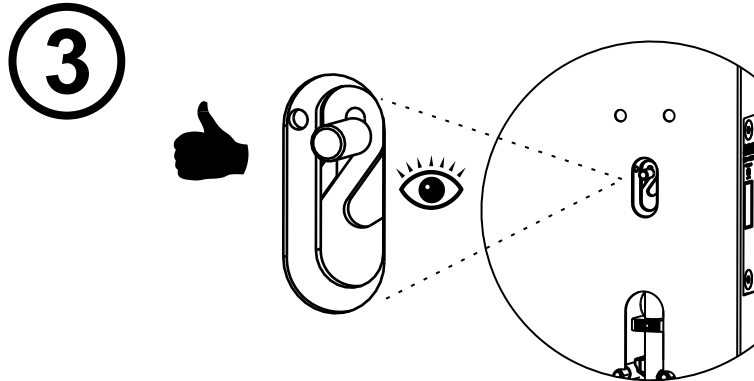
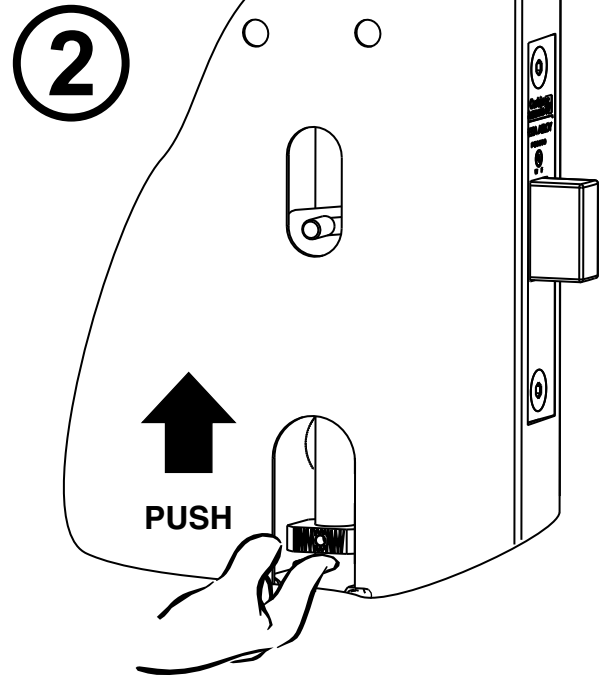
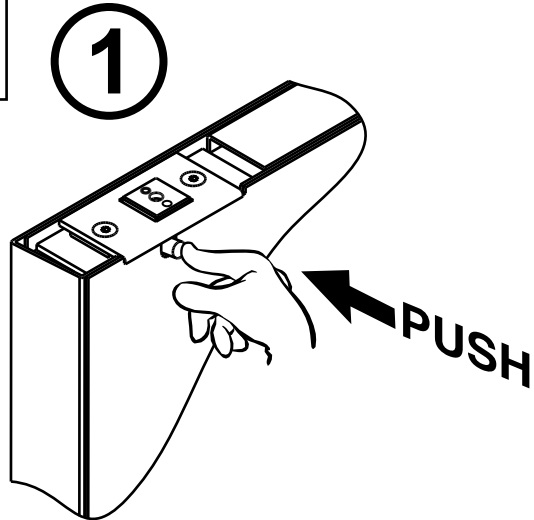
**Must
Rotate
Exactly 3
Revolutions**



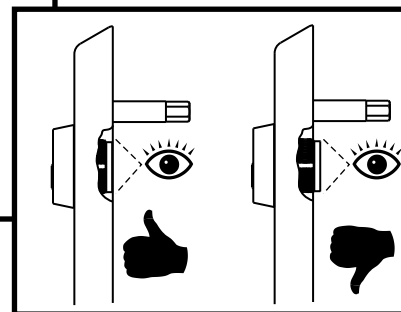
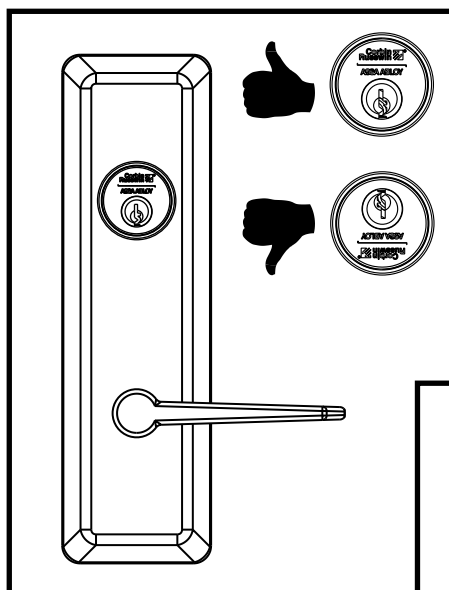
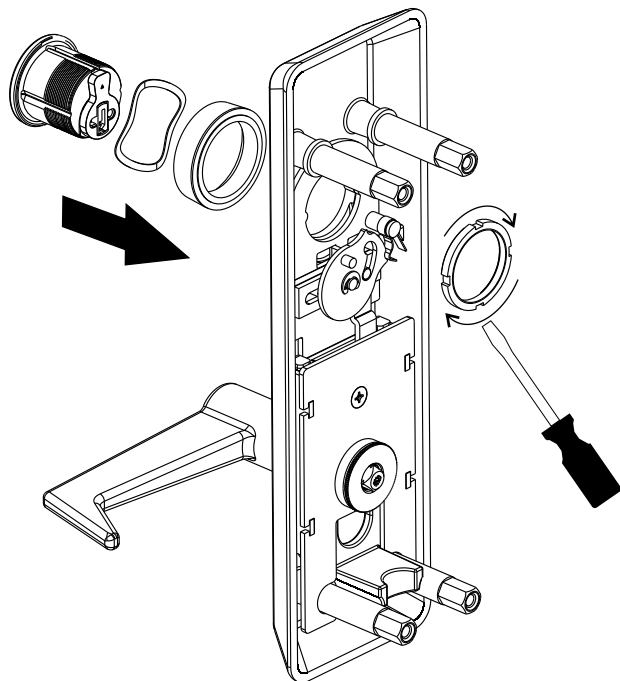
11. TRIGGER DEVICE & FINAL CHECK



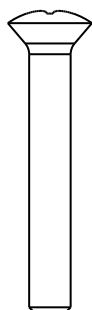
Device
Check



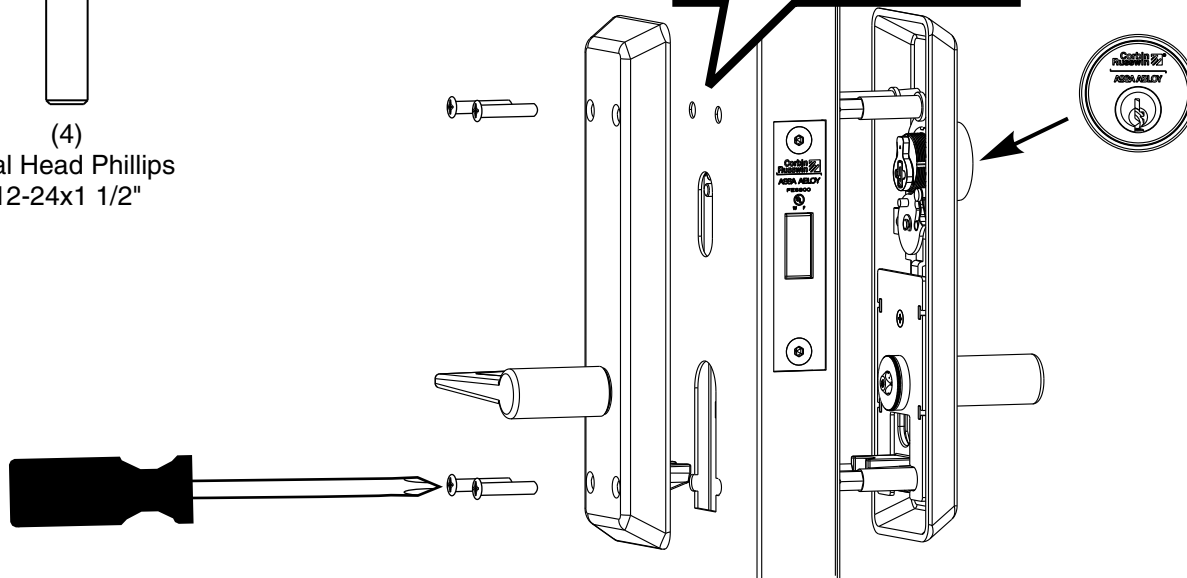
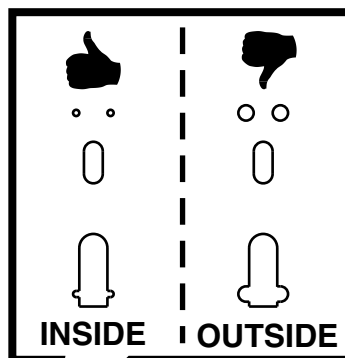
12. ASSEMBLE CYLINDER INTO OUTSIDE TRIM



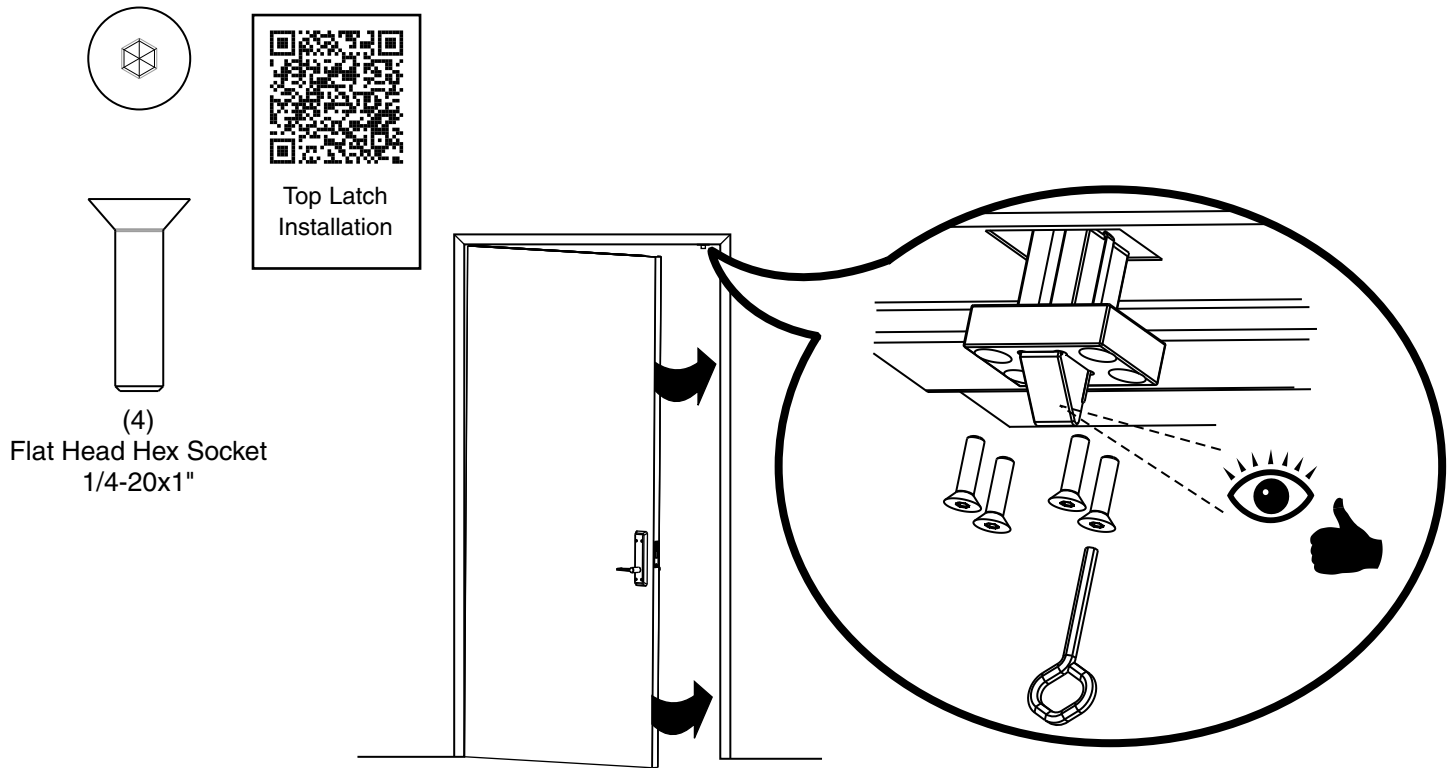
13. MOUNT OUTSIDE AND INSIDE TRIM



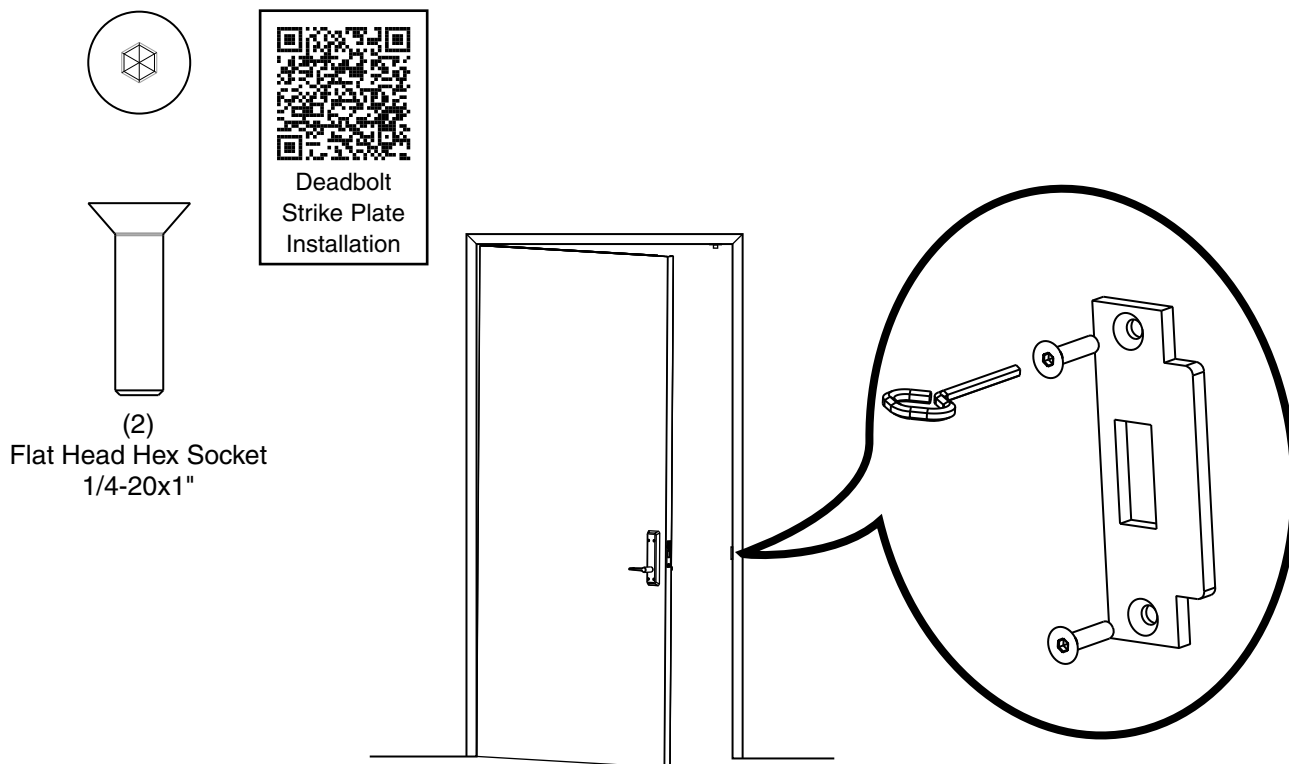
(4)
Oval Head Phillips
12-24x1 1/2"



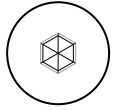
14. INSTALL TOP LATCH INTO DOOR FRAME



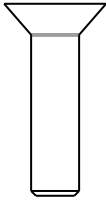
15. ATTACH DEADBOLT STRIKE PLATE TO FRAME



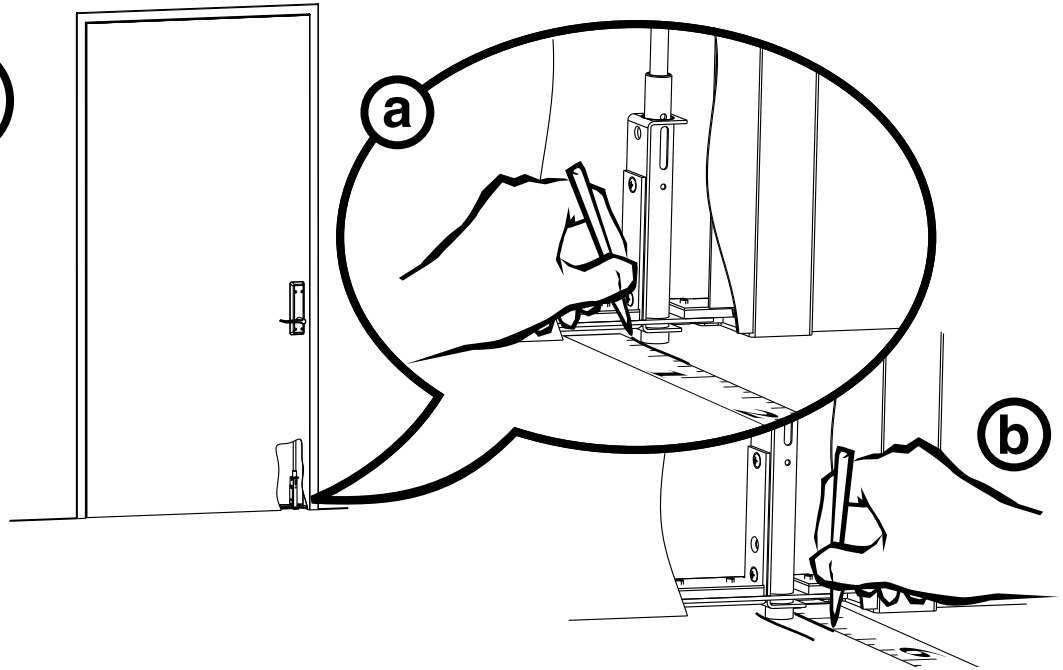
16. PREPARE FLOOR FOR BOTTOM STRIKE



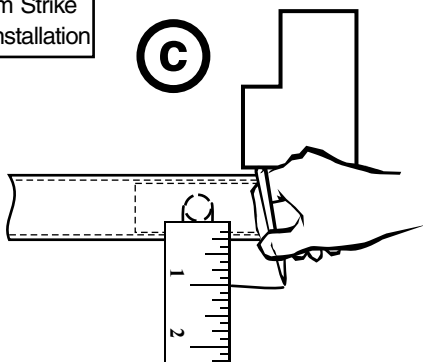
1



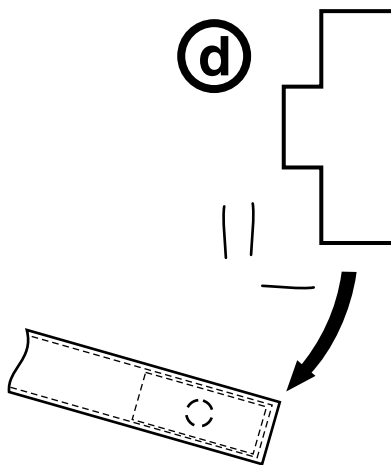
(2)
Flat Head Hex Socket
1/4-20x1"



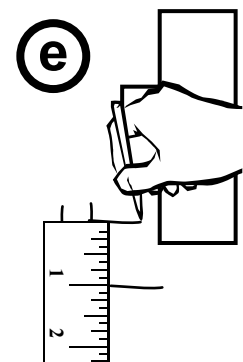
Dimensions for
Bottom Strike
Plate Installation



c

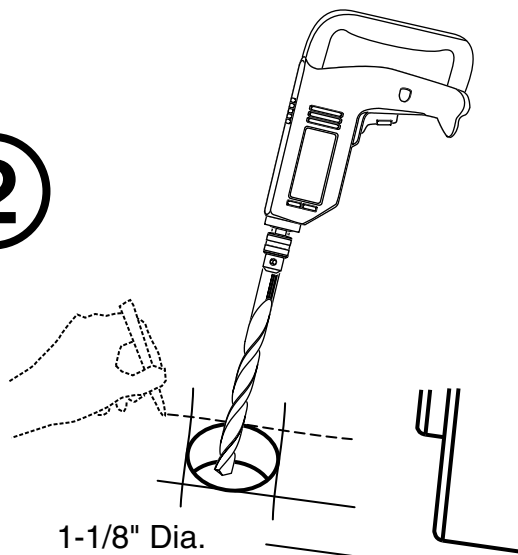


d



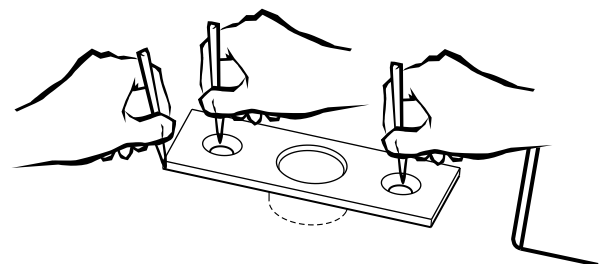
e

2

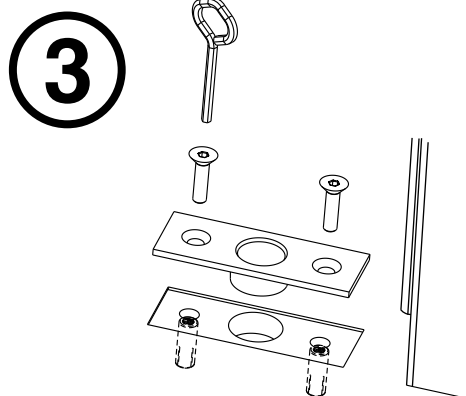
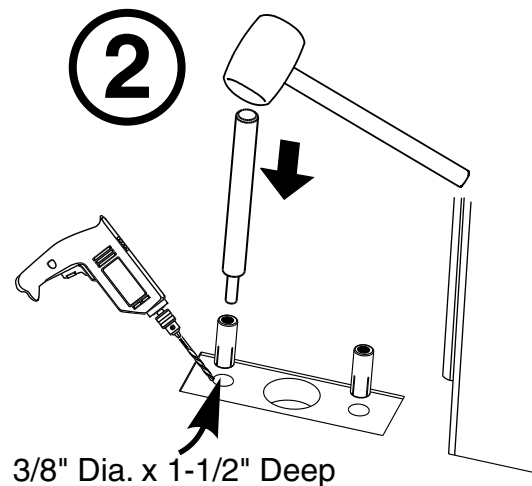
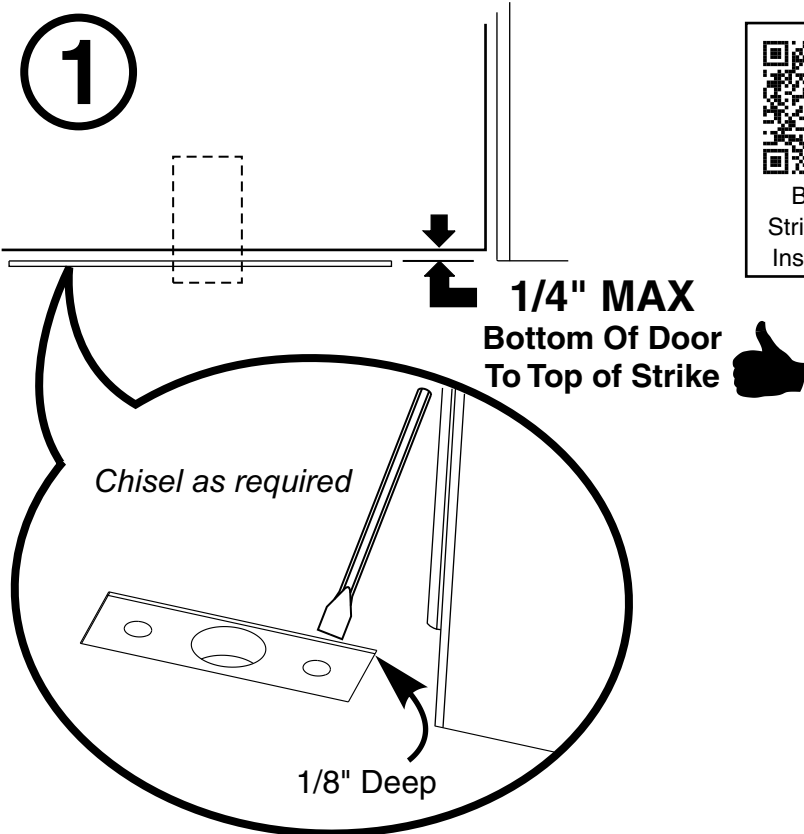


1-1/8" Dia.
x 7/8" Deep

3



17. INSTALL BOTTOM STRIKE



18. TEST INSTALLATION

