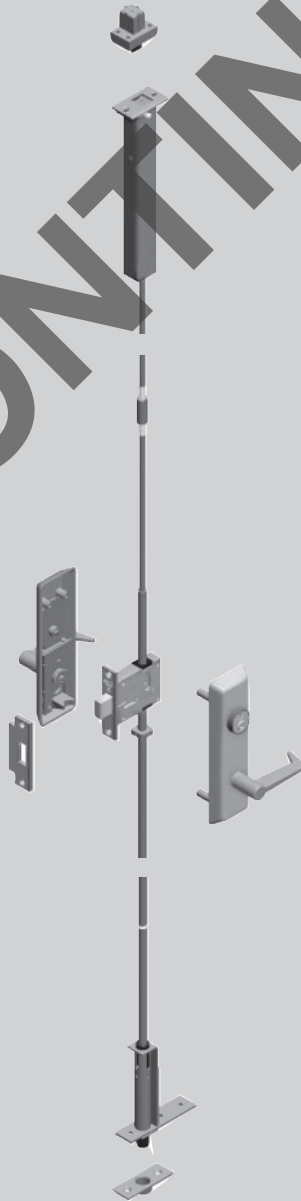


FE6800 Series

Multi-Point Locks
Parts Manual

DISCONTINUED



| Item | Part Number | Description | Comments |
|------|------------------------------------|--|---|
| 1 | FE6810 x __S x Finish x Hand x M31 | Outside Trim Assembly - FE6810 | Must be ordered as a pair. Must specify lever. Upgraded design, September 2017 |
| | FE6855 x __S x Finish x Hand x M31 | Outside Trim Assembly - FE6855 | |
| | FE6880 x __S x Finish x Hand x M31 | Outside Trim Assembly - FE6880 | |
| | FE68XX x __S x Finish x Hand x M31 | Inside Trim Assembly (All Functions) | |
| 2 | 723F357 | Deadbolt | Fasteners Included |
| 3 | 723F347 | Top Latch Assembly | Fasteners Included |
| 4 | 729F738 | Replacement Rod Assembly - 5'6" - 6'8" | Upgraded design, June 2022 |
| | 729F728 | Replacement Rod Assembly - 6'8" - 8'0" | |
| 5 | 720F952 26D | Bottom Bolt & Strike Mounting Pack | |
| 6 | 720F977 32D | Center Strike & Deadbolt Mounting Pack | |
| 7 | 720F968 26D | Front & Top Latch Mounting Pack | Upgraded design, April 2019 |
| 8 | 719F99 x Finish | Trim Mounting Pack | |
| 9 | 721F36 x Finish | Cylinder Collar Pack | Use with 1 1/8" Cylinder |
| | 721F37 x Finish | | Use with 1 1/4" Cylinder |
| | 721F38 x Finish | | Use with 1 1/2" Cylinder |

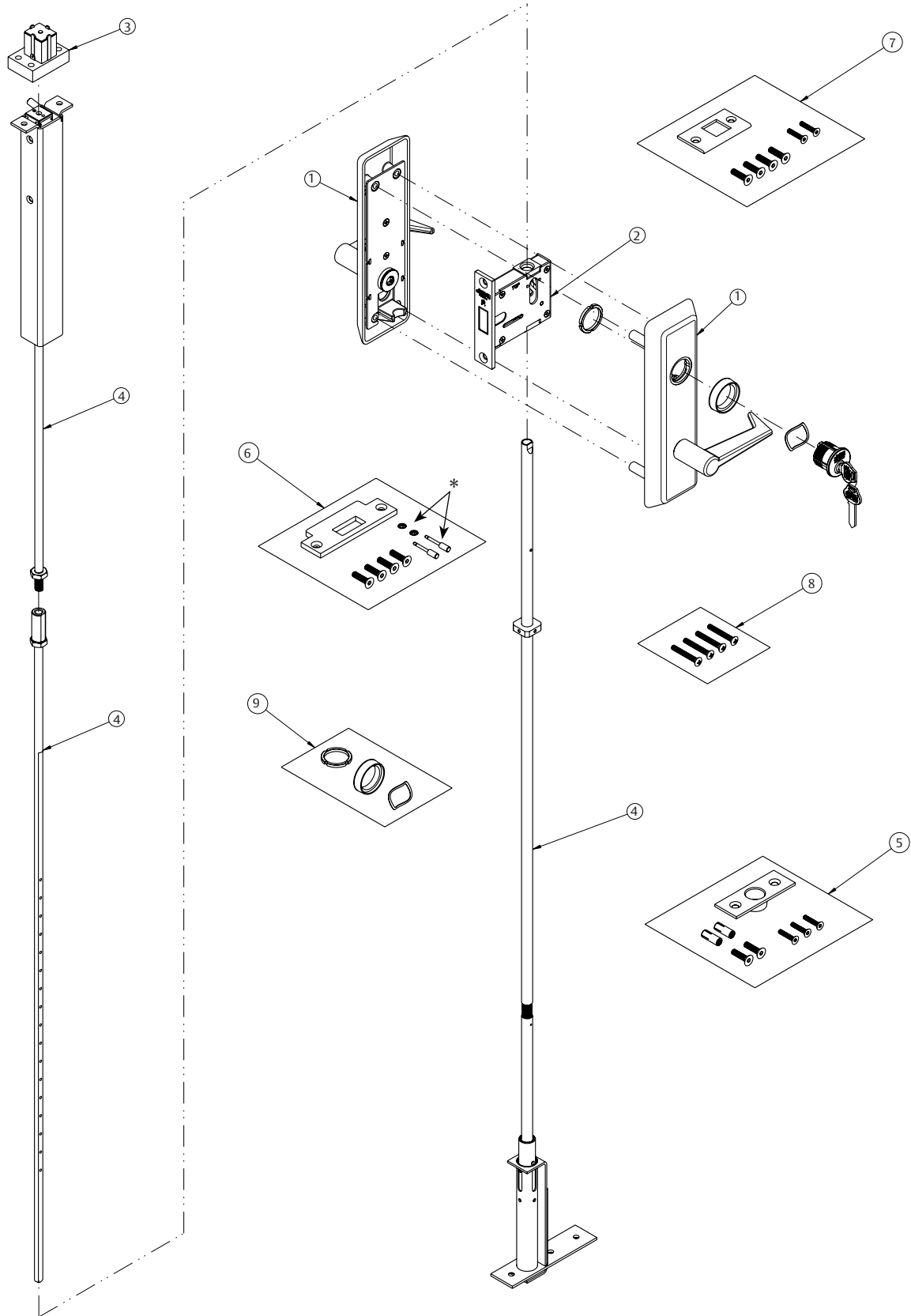
*For Link/Drive Pin and Retaining Ring, order Item #6.

For additional information, contact your ASSA ABLOY Door Solutions sales consultant or visit www.corbinruswin.com.



The warranty on Corbin Russwin products becomes void if the product is modified in any way, regardless of whether the modifications causes or contributes to any alleged defect. If a Corbin Russwin product is modified it may no longer meet industry certification and quality control standards applicable to the original product and is no longer a genuine Corbin Russwin product.

Copyright © 2022, ASSA ABLOY Access and Egress Hardware Group, Inc. All rights reserved. Reproduction in whole or in part without the express written permission of ASSA ABLOY Access and Egress Hardware Group, Inc. is prohibited. Patent pending and/or patent www.assaabloydss.com/patents.



The warranty on Corbin Russwin products becomes void if the product is modified in any way, regardless of whether the modifications causes or contributes to any alleged defect. If a Corbin Russwin product is modified it may no longer meet industry certification and quality control standards applicable to the original product and is no longer a genuine Corbin Russwin product.

Copyright © 2022, ASSA ABLOY Access and Egress Hardware Group, Inc. All rights reserved. Reproduction in whole or in part without the express written permission of ASSA ABLOY Access and Egress Hardware Group, Inc. is prohibited. Patent pending and/or patent www.assaabloydss.com/patents.



Experience a safer and more open world

45676 7/22

The ASSA ABLOY Group is the global leader in access solutions. Every day, we help billions of people experience a more open world.

ASSA ABLOY Opening Solutions leads the development within door openings and products for access solutions in homes, businesses and institutions. Our offering includes doors, frames, door and window hardware, locks, perimeter fencing, access control and service.



For additional information, contact your
ASSA ABLOY Door Security Solutions
sales consultant or visit www.corbinrusswin.com.

In U.S.

Corbin Russwin
225 Episcopal Road
Berlin, CT 06037
Phone: 800-543-3658
Fax: 800-447-6714
www.corbinrusswin.com

In Canada

ASSA ABLOY Door
Security Solutions Canada
160 Four Valley Drive
Vaughan, Ontario
Canada L4K 4T9
Phone: 800-461-3007
Fax: 800-461-8989
www.assaabloydss.ca