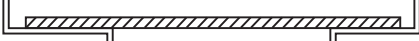


FRAME APPLICATIONS

(Recommended) Reinf. 12" Min. Width
Centered in Opening for U.L.
Fire Rated Frames.
(Supplied by Frame Mfr.)

"A"



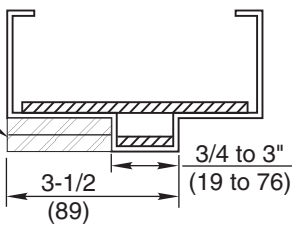
Reinf. 3-1/2" Min. Width
Centered in Opening.
(Supplied by Frame Mfr.)

3" (76) MIN.

Recommended for double rabbeted frames where stop face is less than 3" (76) wide.

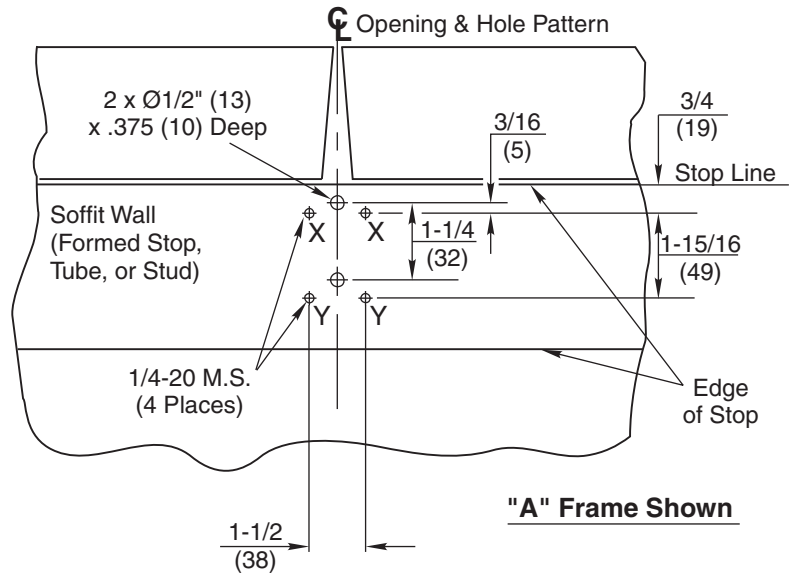
"C"

Mullion Spacer Kit
(M95 Option)



SOFFIT PREP (TOP VIEW)

—TYPICAL FOR ALL FRAMES—



Application	Holes Required
"A"	X & Y
"C"	X & Y (Note 5)

Notes:

1. Do not scale drawing. Dimensions shown in inches(mm).
2. Prepare mounting holes when installing the mullion. Use this template for structural frame preparation.
3. Metal frames should provide mounts to maintain not less than (3) full screw threads engaged.
4. FE700A Series and WS700AKM Series mullions are made from 2" x 3" (51 x 76) tubular steel. Locate device from mullion face (strike seat).
5. Two flat head 1/4-20 x 1-1/4 machine screws are included with Mullion Spacer Kit (M95 Option) when so ordered.

**FE707A & FE708A Mullions
WS707AKM & WS708AKM Mullions
Frame Preparation**



ASSA ABLOY

www.corbinruswin.com

SUPERSEDES	DO NOT SCALE DRAWING
TEMPLATE NUMBER	DATE
T31075	02-08