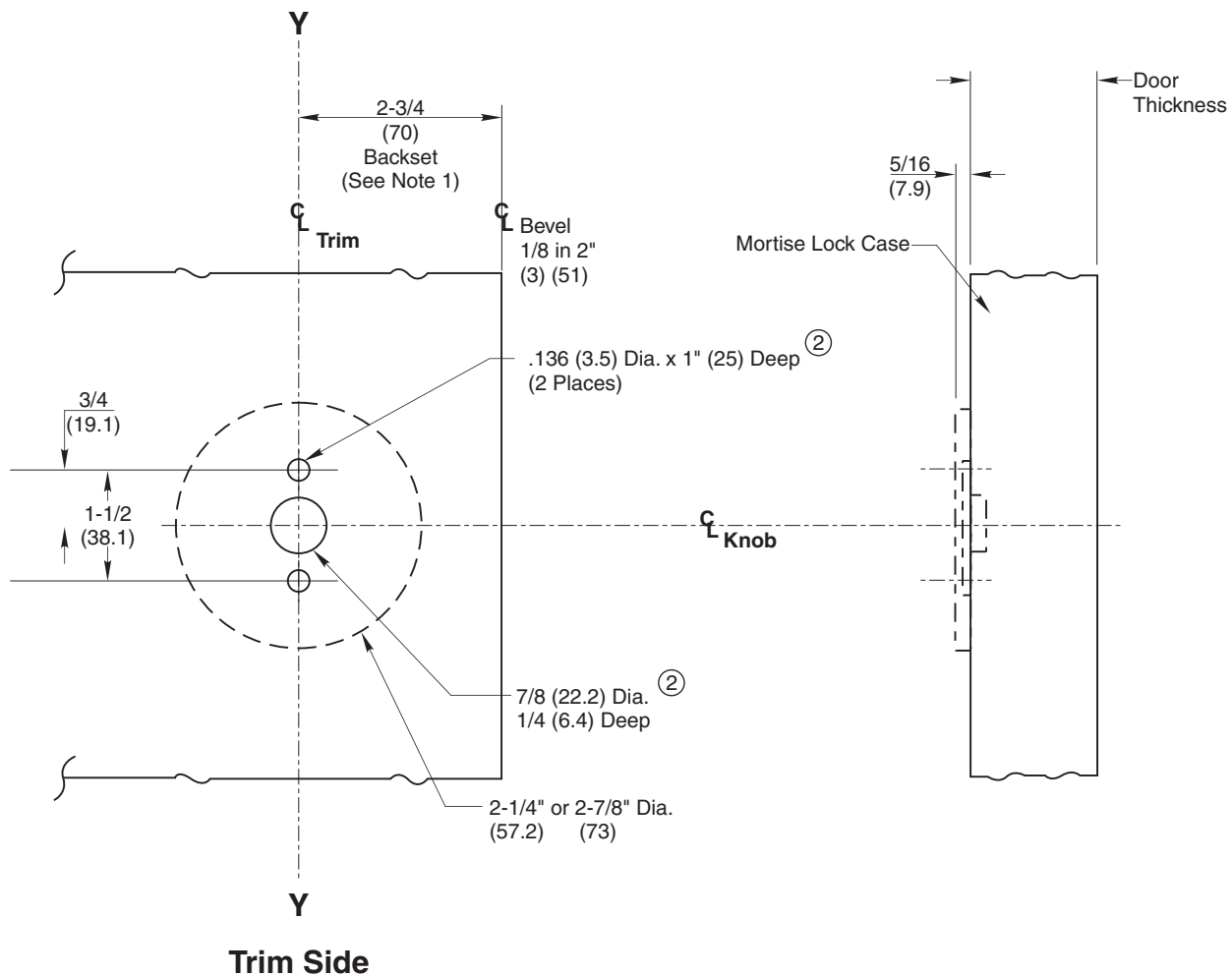


Notes:

1. Backset is measured from centerline of bevel which is centerpoint of door thickness.
2. Full dummy trim same as shown except applied to both sides.
3. Dimensions given in inches and (mm).

Half Dummy Trim Shown



RESPONSIBILITY

Door and Frame Manufacturers are responsible for providing adequate construction or reinforcements for proper installation of hardware shown. All architectural builders hardware must be installed on properly reinforced doors and frames, regardless of the type, material, or method of construction.

GSA
GSF

**Mortise Lock Rose
Half & Full Dummy Trim**

**Corbin
Russwin**

ASSA ABLOY

www.corbinrusswin.com

SUPERSEDES	T30562-1	DO NOT SCALE DRAWING
TEMPLATE NUMBER	T30562-2	DATE 07-14