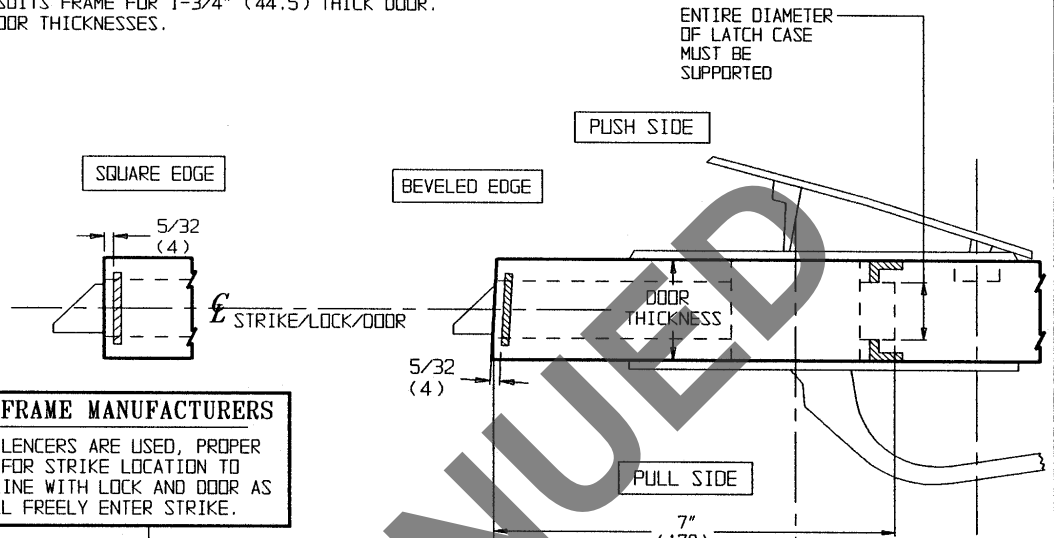


NOTES:

1. BACKSET IS MEASURED FROM CENTERLINE OF BEVEL WHICH IS CENTERPOINT OF DOOR THICKNESS.
2. DIMENSIONS GIVEN IN INCHES AND (MM).
3. 1-1/4" (31.8) STRIKE LIP SUITS FRAME FOR 1-3/4" (44.5) THICK DOOR. LIP WILL VARY FOR OTHER DOOR THICKNESSES.

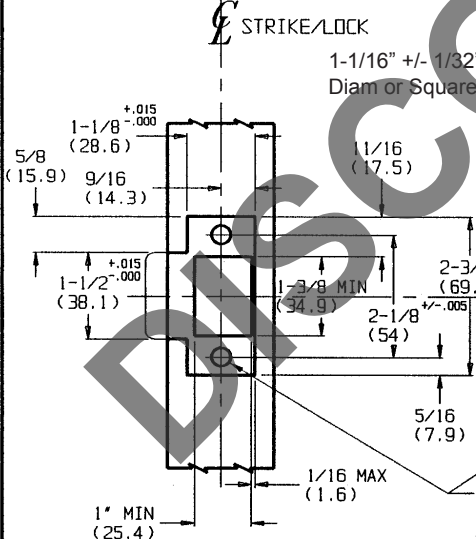
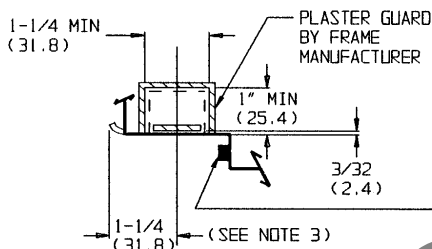
TEMPLATE CROSS REFERENCE

DESCRIPTION	TEMPLATE
217L13 ANSI STRIKE	T30543
601F28 RABBETED FRONT & STRIKE	T30640

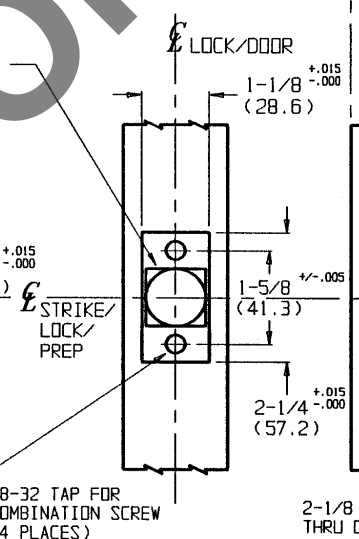


CAUTION: DOOR AND FRAME MANUFACTURERS

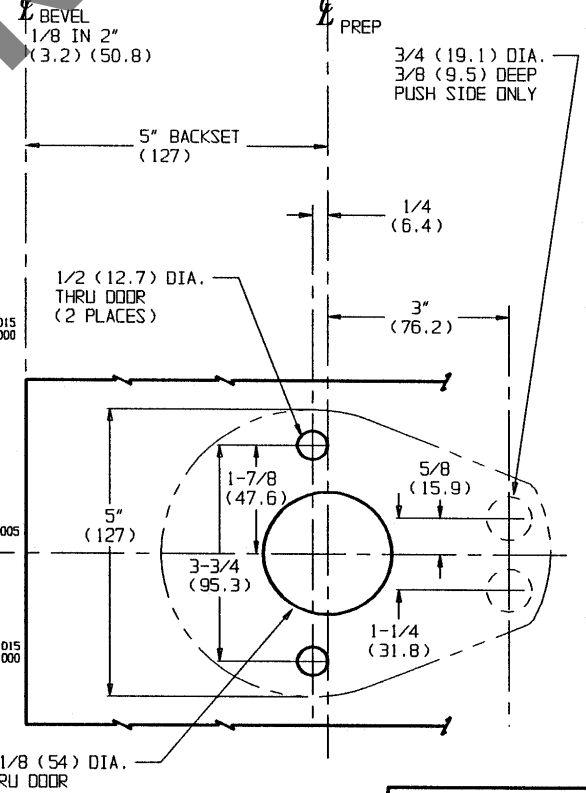
WHEN DOOR GASKETING OR SILENCERS ARE USED, PROPER ALLOWANCES MUST BE MADE FOR STRIKE LOCATION TO MAINTAIN A COMMON CENTERLINE WITH LOCK AND DOOR AS SHOWN SO THAT BOLT WILL FREELY ENTER STRIKE.



FRAME DETAIL
STRIKE S86L19 (REGULARLY FURNISHED) ②



DOOR DETAIL



PULL SIDE

TOLERANCES	
INCHES	(MM)
.005	(.127)
.015	(.381)

RESPONSIBILITY

Door and Frame Manufacturers are responsible for providing adequate construction or reinforcements for proper installation of hardware shown. All architectural builders hardware must be installed on properly reinforced doors and frames, regardless of the type, material, or method of construction.

HL10 SERIES

HOSPITAL PUSH-PULL LATCH SET



DO NOT SCALE DRAWING			
SUPERSEDES	T30538-2	DR.	OLD
DATE	6-2010	TEMPLATE NUMBER	T30538-3