

INSTALLATION INSTRUCTIONS

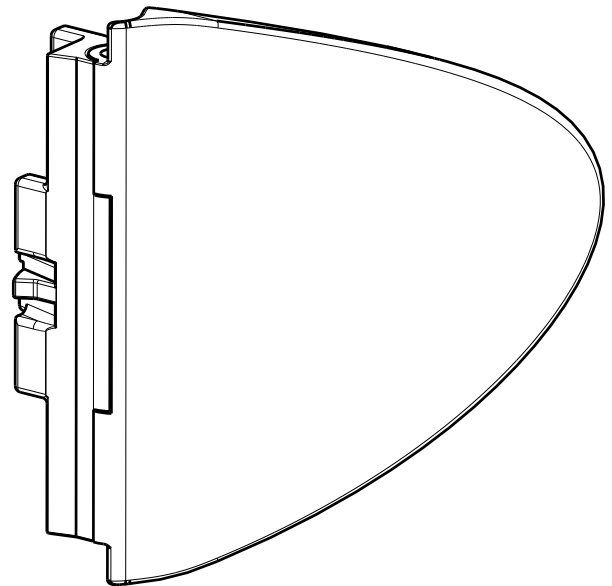
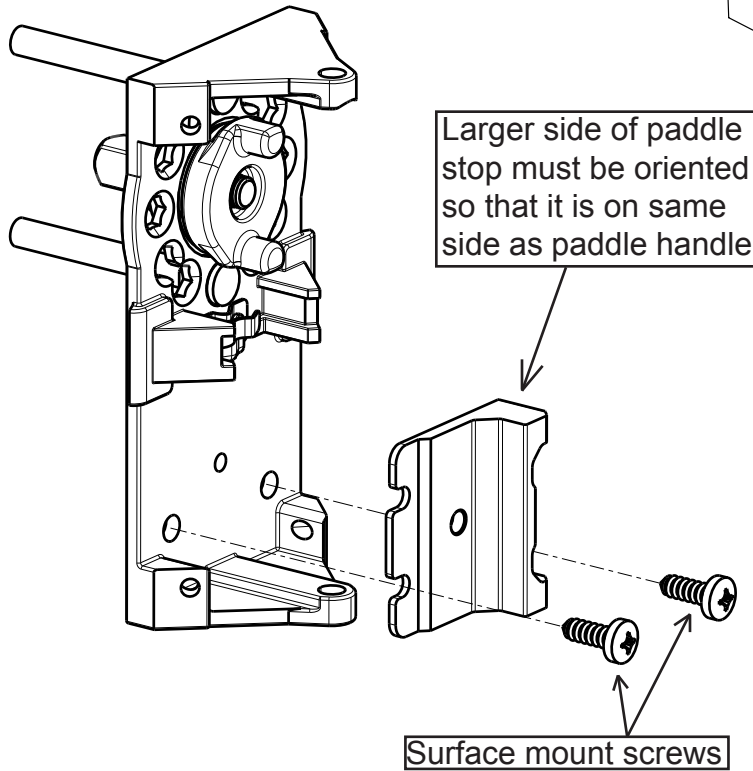
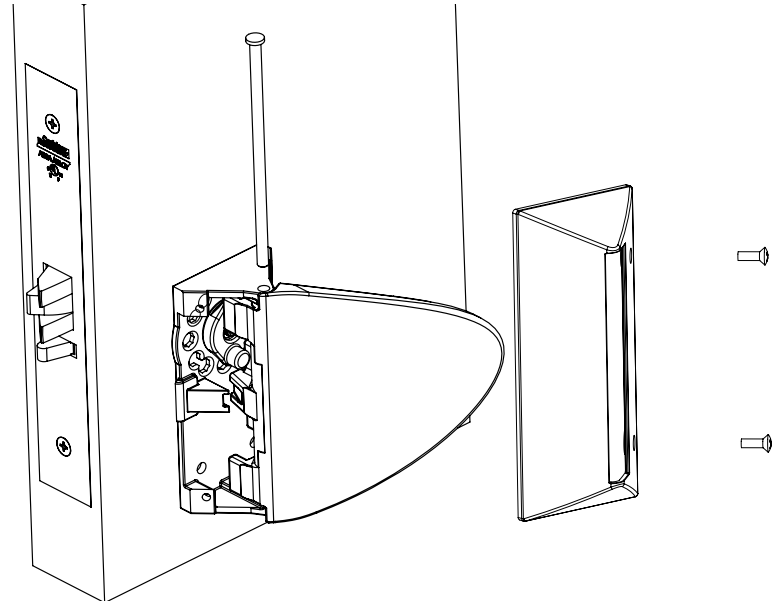
HPSK Positive Pull Stop Retrofit Kit Instructions
FM 348 Rev. 10/18

Corbin
Russwin

ASSA ABLOY

HPSK POSITIVE PULL STOP RETROFIT KIT INSTALLATION

- Step 1) Remove cover and paddle on pull side of door
- Step 2) Remove both surface mount screws from pull side of door
- Step 3) Orient paddle stop so that larger side is underneath the paddle
- Step 4) Re-install both surface mount screws
- Step 5) Re-Install paddle
- Step 6) Check to make sure paddle retracts latch when pushed but not when pulled
- Step 7) Re-Install cover



WARNING

This product can expose you to lead which is known to the state of California to cause cancer and birth defects or other reproductive harm. For more information go to www.P65warnings.ca.gov.

08/2018

In US: Corbin Russwin, Inc.
225 Episcopal Road
Berlin, CT 06037-4004
www.corbinrusswin.com

Technical Product Support:
Phone: 888-607-5703 Fax: 800-659-7293

In Canada: ASSA ABLOY Door Security
Solutions Canada
160 Four Valley Drive
Vaughan, ON, L4K 4T9
www.assaabloy.ca