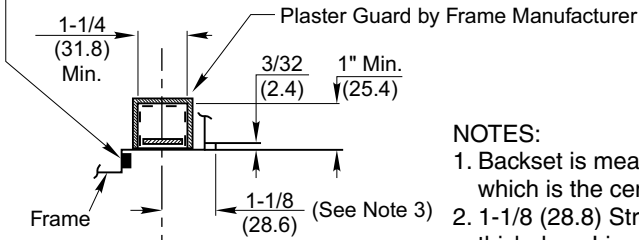


CAUTION: DOOR & FRAME MANUFACTURERS
 When door gasketing or silencers are used, proper allowances must be made for strike location to maintain a common centerline with lock and door as shown so that bolt will freely enter strike.

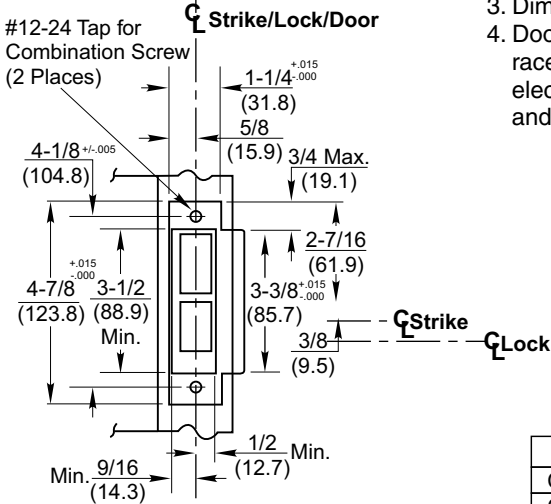


- NOTES:**
- Backset is measured from centerline of bevel which is the centerpoint of the door thickness.
 - 1-1/8 (28.8) Strike Lip suits frame for 1-3/4 (44.5) thick door. Lip will vary for other door thicknesses.
 - Dimensions given in inches and (mm).
 - Door fabricator to provide a Ø3/8 (9.5) minimum raceway through door to allow the insertion of electrical wires running between the lock mortise and electric hinge.

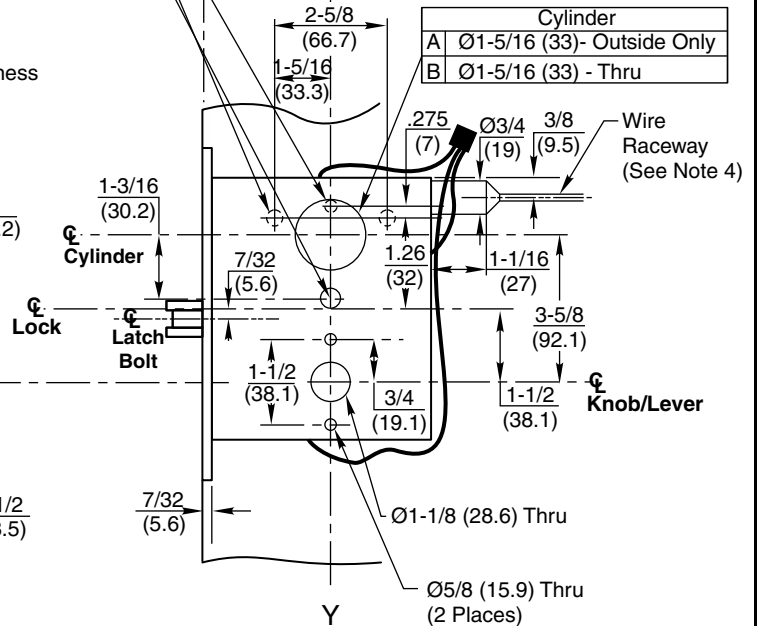
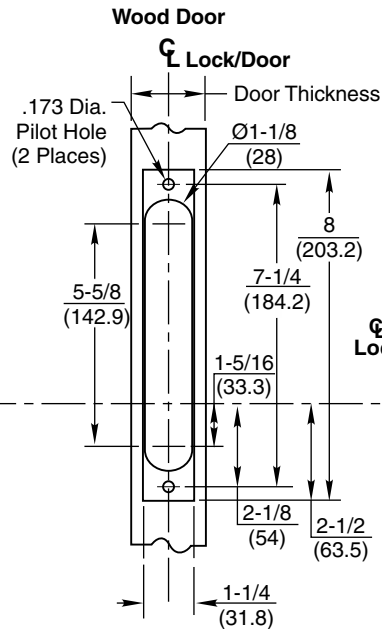
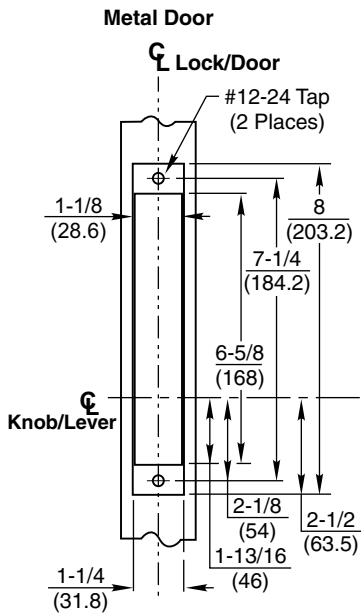
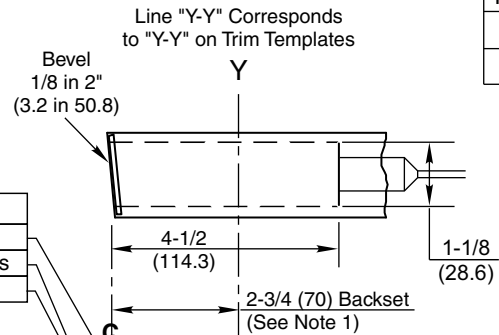
Series Functions	Required Holes		
	A	B	C
ML20906 ML20914	●		
ML20907 ML20915			
ML20932		●	
ML20987		●	
ML20606-NAC	●		
ML20607-NAC			
ML20608-NAC	●		●
ML20609-NAC			●

ANSI Strike	Description
236L73	Latch Bolt Hole Only

Tolerances	
Inches	(mm)
.005	(.127)
.015	(.381)



Turnpiece - Inside	
C	Ø.289 (7.3), Inside Only
C	Ø3/8 (9.5), Inside Only, 2 Plcs
C	Ø5/8 (15.9) Inside Only



RESPONSIBILITY

DOOR AND FRAME MANUFACTURERS ARE RESPONSIBLE FOR PROVIDING ADEQUATE CONSTRUCTION OR REINFORCEMENTS FOR PROPER INSTALLATION OF HARDWARE SHOWN. ALL ARCHITECTURAL BUILDERS HARDWARE MUST BE INSTALLED ON PROPERLY REINFORCED DOORS AND FRAMES, REGARDLESS OF TYPE, MATERIAL, OR METHOD OF CONSTRUCTION.

**ML20900 x HPSK
 ML20600-NAC x HPSK**

**Corbin
 Russwin®
 ASSA ABLOY**

www.corbinrusswin.com

SUPERSEDES T31232-2 DO NOT SCALE DRAWING
 TEMPLATE NUMBER T31232-3 DATE 12-18