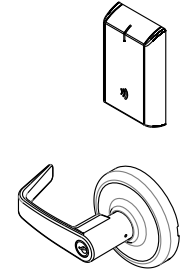


Notes:

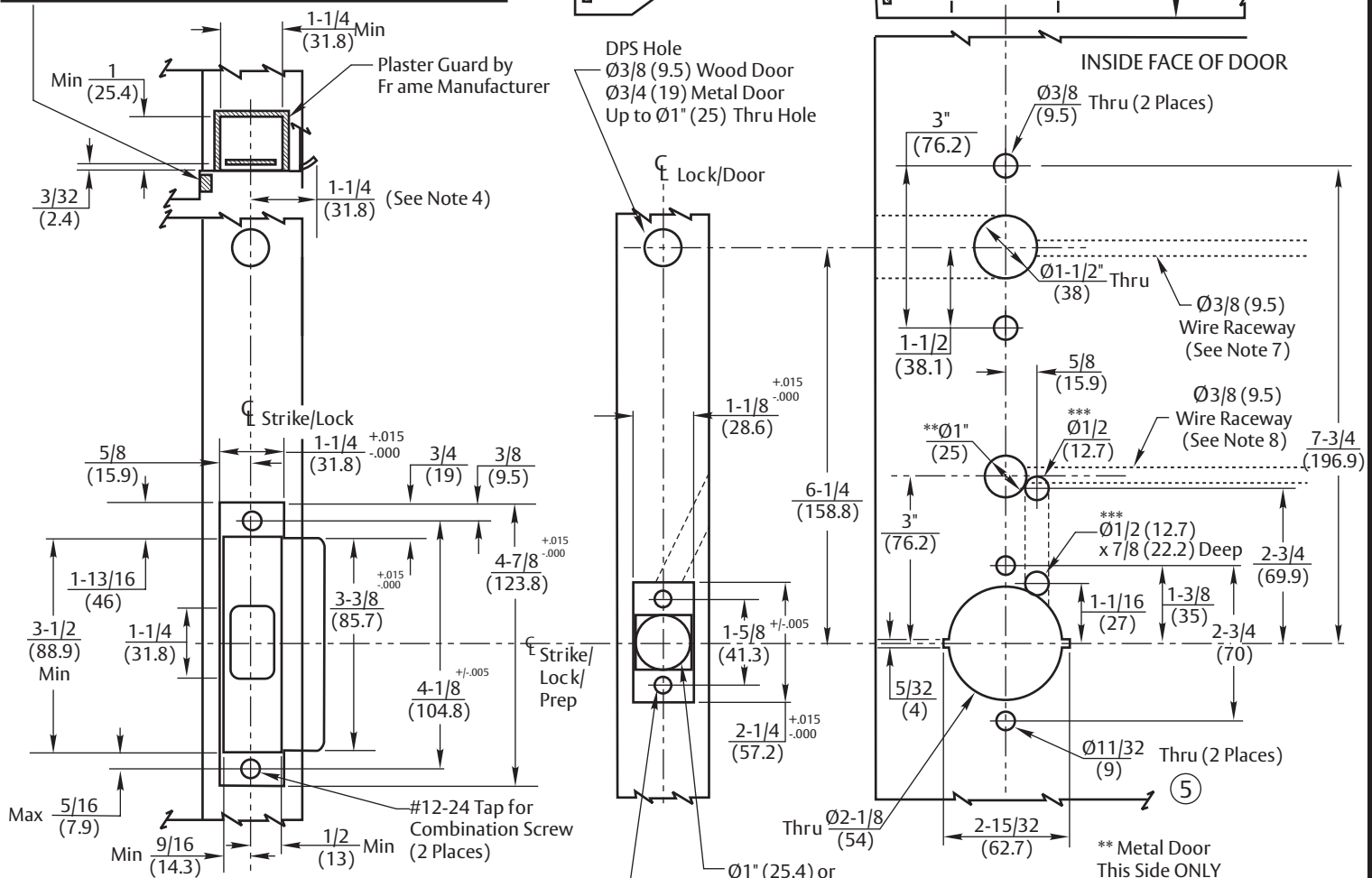
1. Backset is measured from centerline of bevel which is centerpoint of door thickness.
2. Door prep with 2-3/4" (69.9) backset meets ANSI standards A115.2 for steel doors and A115.W2 for wood doors plus through bolt holes shown.
3. Dimensions given in inches and (mm).
4. 1-1/4" strike lip suits frame for 1-3/4" thick door. Lip will vary for other door thicknesses.
5. Door prep will vary for 3/4" (19) latch assembly. Refer to T30528 for details.
6. (**), (***) Inside only. Wire clearance. See Sheet 2 for Hollow Metal Door applications.
7. Wire raceway required for IN100 and IN120 x M35 (remote power option). Raceway to connect Ø1-1/2" (38) hole to hinge edge power source.
8. Wire raceway required for IN220 only. Raceway to connect: Metal Door - Ø1" (25.4) or Wood Door - Ø1/2" (12.7) hole to hinge edge power source.

BACKSET "A"	
2-3/4 (69.9)	Regular
3-3/4 (95.3)	Optional
5 (127)	



CLX33100 & CL33100
IN100, IN120 & IN220 Series

CAUTION: DOOR AND FRAME MANUFACTURERS
When door gasketing or silencers are used, proper allowances must be made for strike location to maintain a common centerline with lock and door as shown so that bolt will freely enter strike.



FRAME DETAIL
ANSI Strike 217L13 and Box 120F76 (Regularly Furnished)

TOLERANCES	
INCHES	(mm)
.005	(.127)
.015	(.381)

#8-32 Tap for Combination Screw (2 Places)

** Metal Door This Side ONLY
*** Wood Door This Side ONLY
±18° from door face, by 4" (101.6) deep channel up to Ø2-1/8" (54) thru hole

RESPONSIBILITY
DOOR AND FRAME MANUFACTURERS ARE RESPONSIBLE FOR PROVIDING ADEQUATE CONSTRUCTION OR REINFORCEMENTS FOR PROPER INSTALLATION OF HARDWARE SHOWN. ALL ARCHITECTURAL BUILDERS HARDWARE MUST BE INSTALLED ON PROPERLY REINFORCED DOORS AND FRAMES, REGARDLESS OF TYPE, MATERIAL, OR METHOD OF CONSTRUCTION.

**CLX33100 & CL33100
IN100, IN120 & IN220 Series
Cylindrical Lever Lockset**



www.corbinrusswin.com

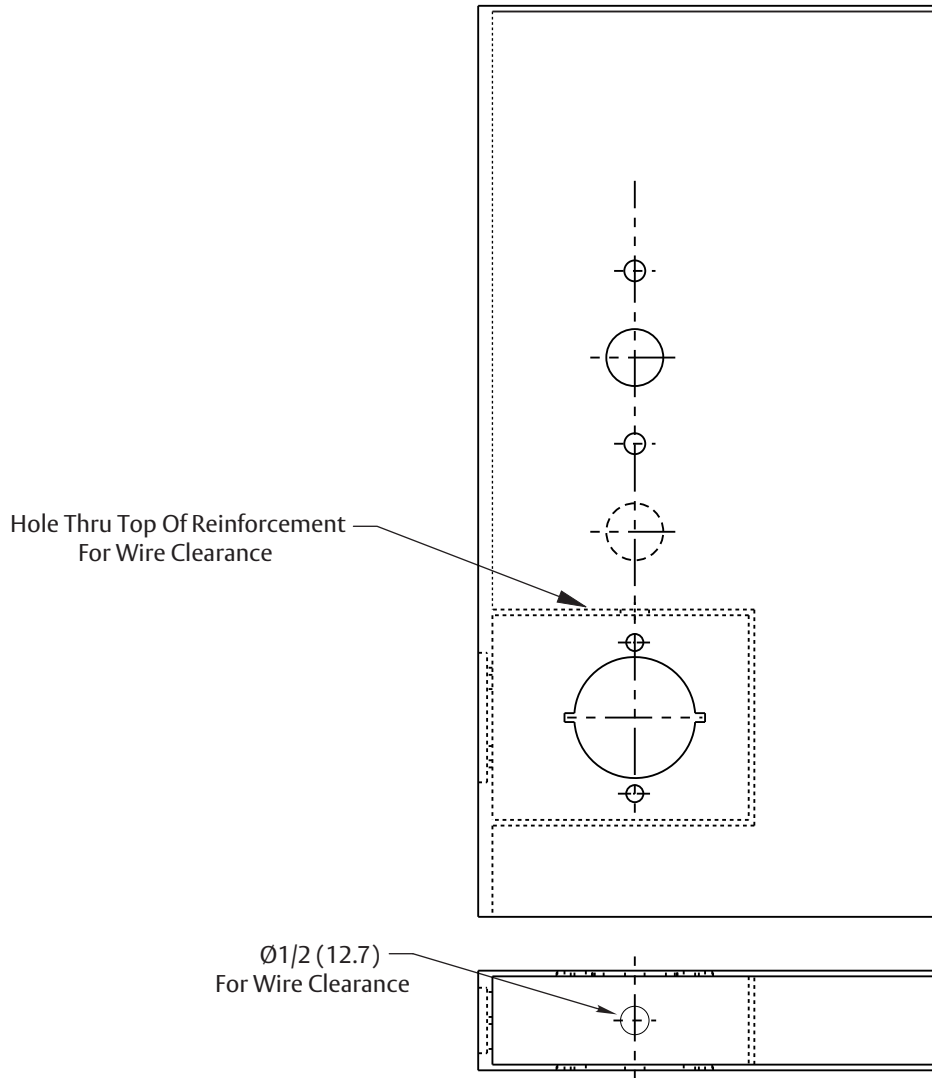
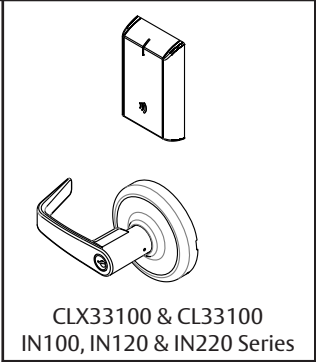
SUPERSEDES	T31203-4	DO NOT SCALE DRAWING
TEMPLATE NUMBER	T31203-5	SHEET 1 of 2 DATE 03/23

Experience a safer and more open world

Copyright © 2016, 2020, 2023, ASSA ABLOY Access and Egress Hardware Group, Inc. All rights reserved. Reproduction in whole or in part without the express written permission of ASSA ABLOY Access and Egress Hardware Group, Inc. is prohibited.

Notes:

1. Backset is measured from centerline of bevel which is centerpoint of door thickness.
2. Door prep with 2-3/4" (69.9) backset meets ANSI standards A115.2 for steel doors and A115.W2 for wood doors plus through bolt holes shown.
3. Dimensions given in inches and (mm).
4. 1-1/4" strike lip suits frame for 1-3/4" thick door. Lip will vary for other door thicknesses.
5. Door prep will vary for 3/4" (19) latch assembly. Refer to template T30528 for details.
6. (**) Inside only. Wire clearance.



RESPONSIBILITY
 DOOR AND FRAME MANUFACTURERS ARE RESPONSIBLE FOR PROVIDING ADEQUATE CONSTRUCTION OR REINFORCEMENTS FOR PROPER INSTALLATION OF HARDWARE SHOWN. ALL ARCHITECTURAL BUILDERS HARDWARE MUST BE INSTALLED ON PROPERLY REINFORCED DOORS AND FRAMES, REGARDLESS OF TYPE, MATERIAL, OR METHOD OF CONSTRUCTION.

CLX33100 & CL33100
IN100, IN120 & IN220 Series
Cylindrical Lever Lockset

Corbin Russwin
ASSA ABLOY
 www.corbinruswin.com

SUPERSEDES	T31203-4	DO NOT SCALE DRAWING
TEMPLATE NUMBER	T31203-5	SHEET 2 of 2 DATE 03/23

Experience a safer and more open world

Copyright © 2016, 2020, 2023, ASSA ABLOY Access and Egress Hardware Group, Inc. All rights reserved. Reproduction in whole or in part without the express written permission of ASSA ABLOY Access and Egress Hardware Group, Inc. is prohibited.