

Hard Powering Instructions for WiFi-Enabled Products

IN120 / Passport 1000 P2 / Access 700 PWI
(SARGENT 91- & Corbin Russwin M35 Option)

SECTION I: OVERVIEW

Description

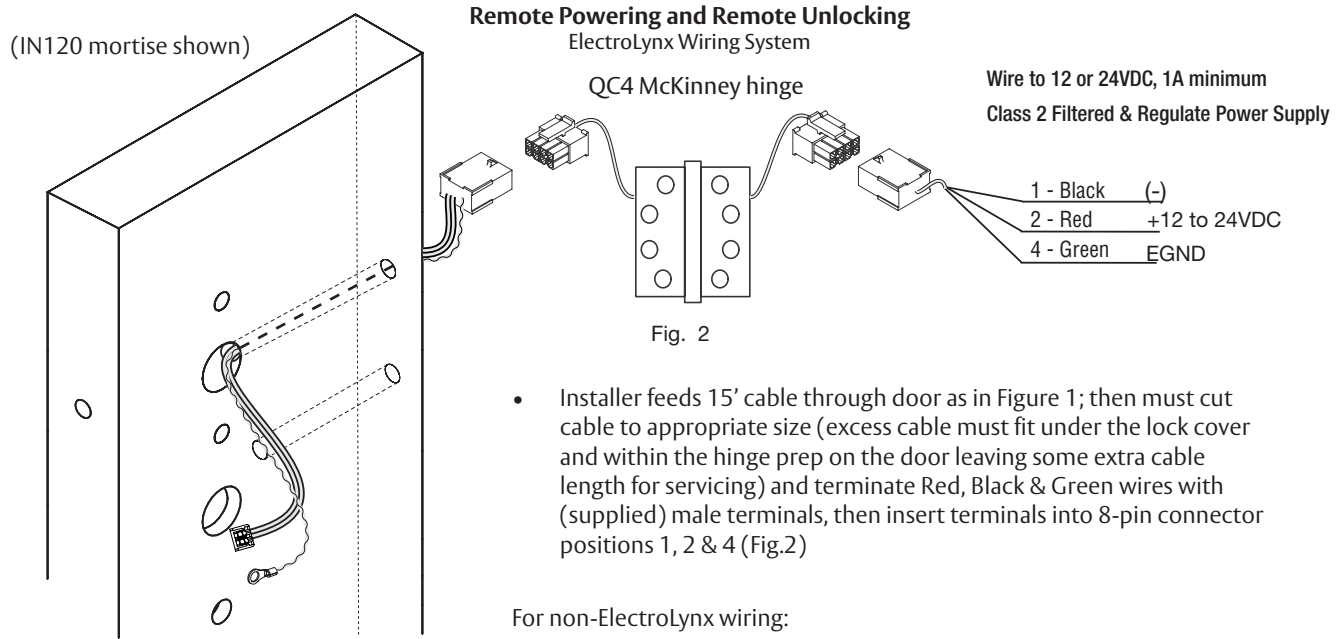
The Auxiliary Power cable kit (Sargent P/N 52-4824, Corbin Russwin P/N 784F199) is intended for use in Passport 1000 P2 / Access700 PWI and IN120 installations when there is a desire for higher power use cases such as 'always connected' radio or for low-temperature exterior applications where alkaline batteries cannot be used and where Power Over Ethernet (PoE) would not be cost effective.

CAUTION: When using Auxiliary Power Cable DO NOT install batteries.

SECTION II: INSTALLATION PROCEDURE

1. Route Auxiliary Power cable through the door

Kit includes 15' cable, male Molex terminals and 8-pin Male connector



- Installer feeds 15' cable through door as in Figure 1; then must cut cable to appropriate size (excess cable must fit under the lock cover and within the hinge prep on the door leaving some extra cable length for servicing) and terminate Red, Black & Green wires with (supplied) male terminals, then insert terminals into 8-pin connector positions 1, 2 & 4 (Fig.2)

For non-ElectroLynx wiring:

(without using Molex connections)

Installer feeds cable through the door then terminates wires within power transfer device, then feeds to Power Supply.

2. Connect Auxiliary Power cable to 8-pin ElectroLynx cable (Fig. 2)

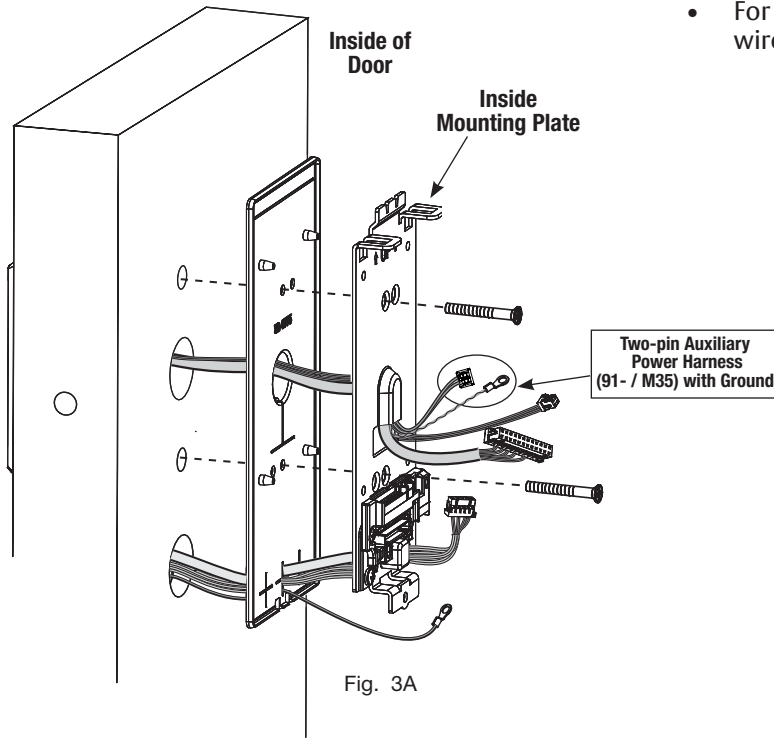
Notes:

- Connectors go on only one way
- Do not force and do not offset connectors
- Be sure they are completely seated (flush)

Hard Powering Instructions for WiFi-Enabled Products

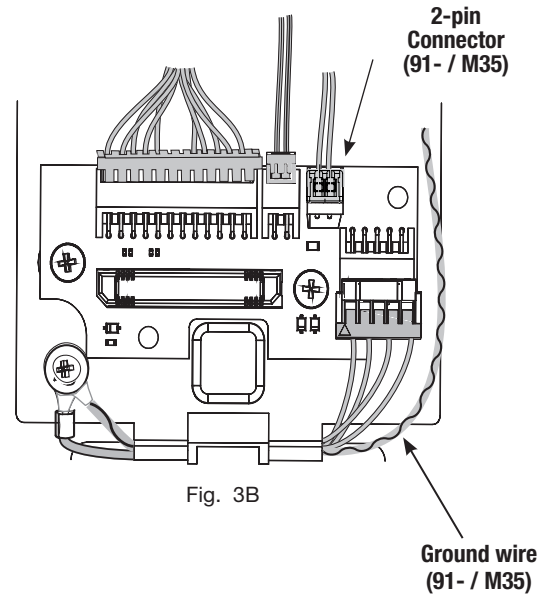
*Ensure connectors are covered with silicone dielectric compound (grease)**

3A. Route connector and ground wire

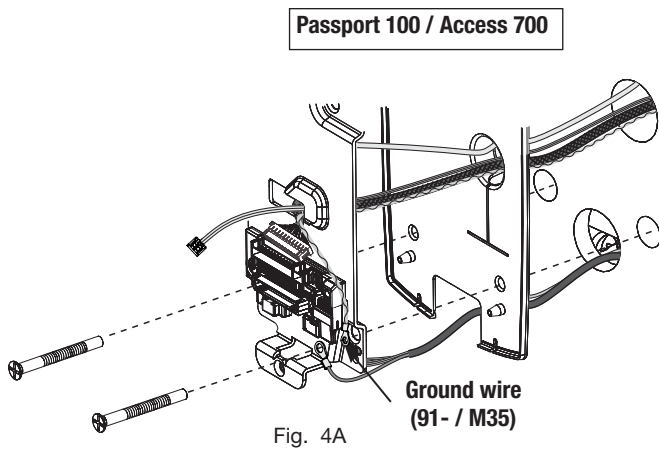


3B. Fasten ground wire and lock body ground wire

- For IN120, fasten ground wire along with lock body ground wire using dedicated ground screw (lower left) - see Fig. 3A, B.

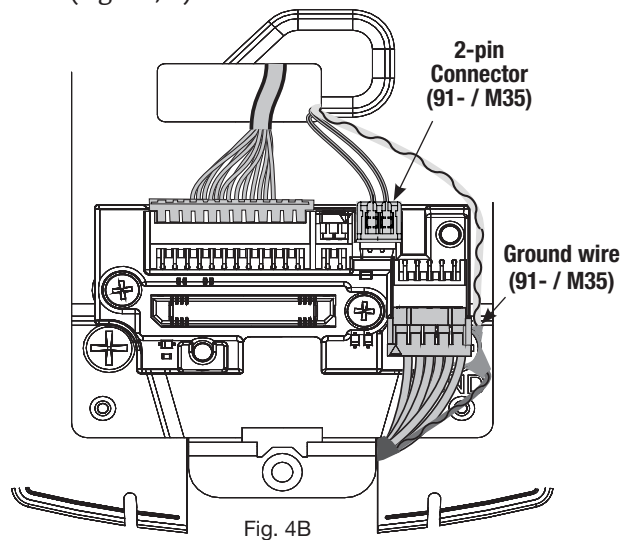


4A. Route connector and ground wire



4B. Fasten ground wire and lock body ground wire

- For Passport 1000 / Access 700 fasten ground wire along with lock body ground wire to lower right escutcheon screw (Fig. 4A, B).



5. Connect 2-pin Auxiliary Power connector to mounting plate circuit board (Fig. 3B, 4B)

6. Before securing mounting plate screw, tuck excess wire into door prep holes. Do not pinch wires under mounting plate.

*For more detail, refer to product installation instructions