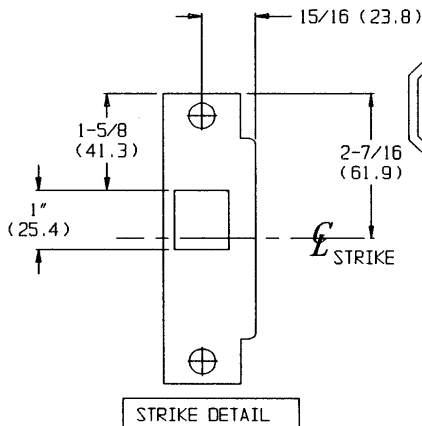


NOTES:

1. DIMENSIONS GIVEN IN INCHES AND (MM).
2. 15/16" STRIKE LIP SUITS FRAME FOR 1-3/4" THICK DOOR.
3. EXTENDED LIP ESCUTCHEON UNIT LOCKS ARE AVAILABLE FOR REVERSE BEVEL, SINGLE DOORS ONLY.

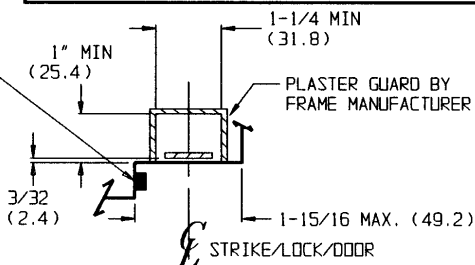
TEMPLATE CROSS REFERENCE

DESCRIPTION	TEMPLATE
UT5200 SERIES UNIT LOCK	T30495
UT5200 SERIES x M11 (OPTIONAL STRIKE)	T30539

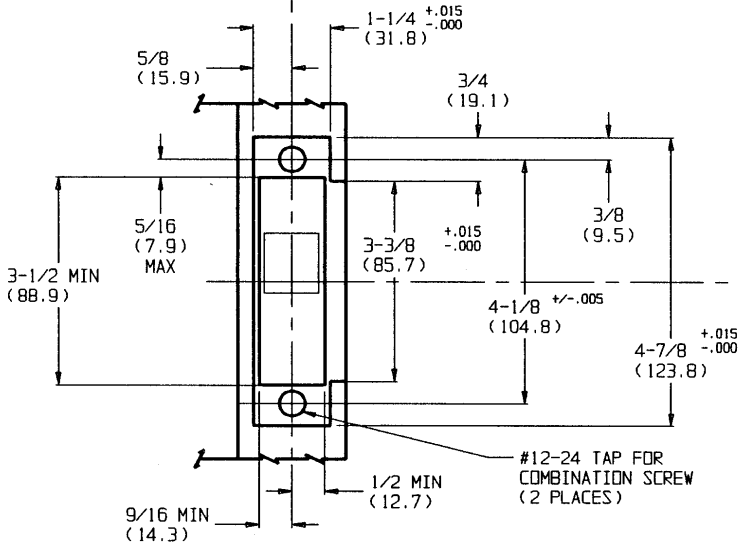


STRIKE DETAIL

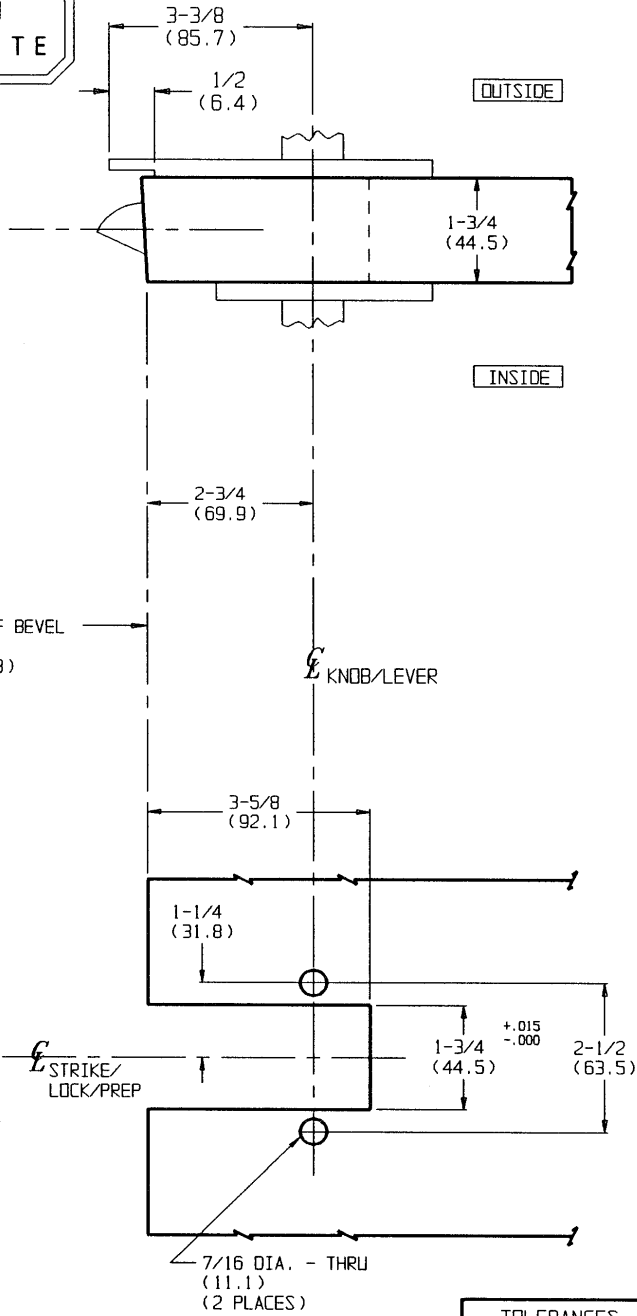
CAUTION: DOOR AND FRAME MANUFACTURERS
 WHEN DOOR GASKETING OR SILENCERS ARE USED, PROPER ALLOWANCES MUST BE MADE FOR STRIKE LOCATION TO MAINTAIN A COMMON CENTERLINE WITH LOCK AND DOOR AS SHOWN SO THAT BOLT WILL FREELY ENTER STRIKE.



CAUTION:
 LOW SIDE OF BEVEL
 1/8 IN 2" (3.2) (50.8)



FRAME DETAIL
 ANSI STRIKE 610L43
 (REGULARLY FURNISHED)



DOOR DETAIL

TOLERANCES	
INCHES	(MM)
.005	(.127)
.015	(.381)

RESPONSIBILITY

Door and Frame Manufacturers are responsible for providing adequate construction or reinforcements for proper installation of hardware shown. All architectural builders hardware must be installed on properly reinforced doors and frames, regardless of the type, material, or method of construction.

UT5200 SERIES BY M11

UNIT LOCK
 EXTENDED LIP ESCUTCHEON

**Corbin
 Russwin**
 www.corbinrusswin.com

DO NOT SCALE DRAWING			
SUPERSEDES	DR.	DATE	TEMPLATE NUMBER
	K J	5 / 25 / 93	T 30638