

FE6600 and BL6600 Series

M19S/M19V Occupancy Indicators with Emergency Release

Multi-Point Lock

1

Package Contents

⚠ WARNING

This product can expose you to lead which is known to the state of California to cause cancer and birth defects or other reproductive harm. For more information go to www.P65warnings.ca.gov.

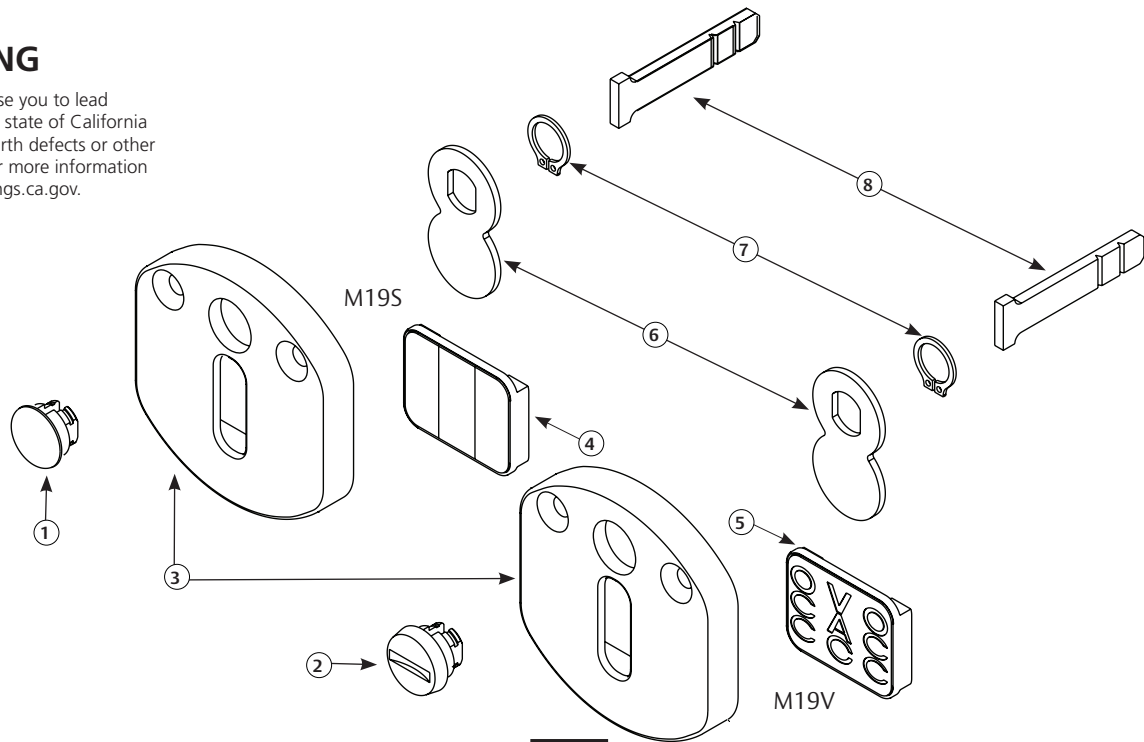


Figure 1

Figure 1	Description	Qty.
1	Indicator Button	1
2	Indicator Button Emergency Release	1
3	Housing Plate	1
4	Red/White Slide	1
5	VAC/OCC Slide	1

Figure 1	Description	Qty.
6	Rotation Plate	1
7	Snap Ring	1
8	Spindle	1
9	#6 x 5/8" Wood Screw (not shown)	2
10	#6-32 x 1/2" MS (not shown)	2

1

M19S/M19V Occupancy Indicator

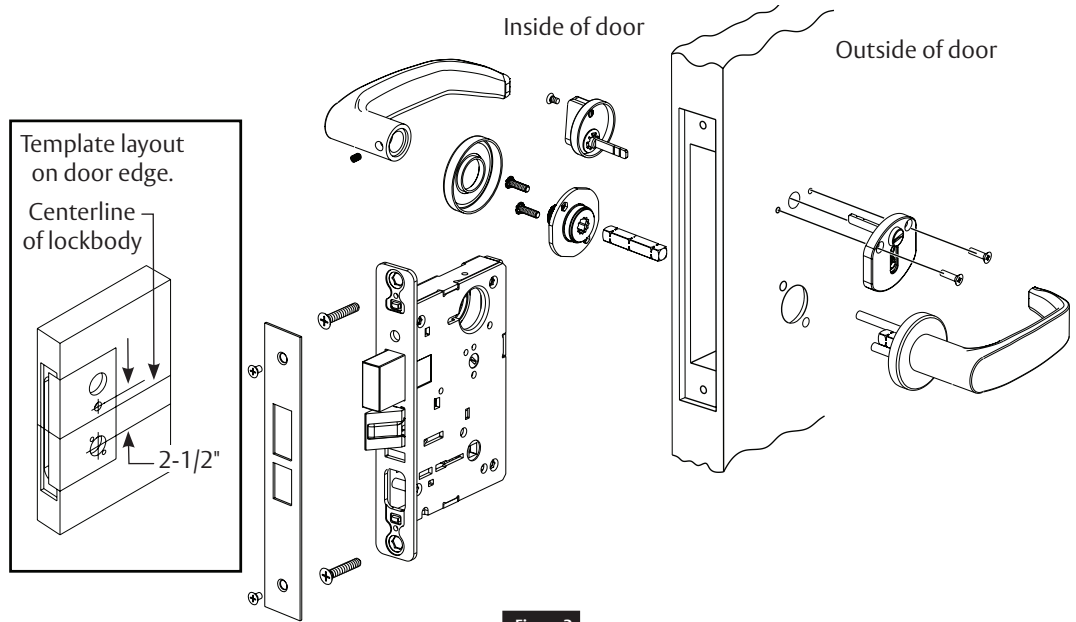


Figure 2



Fold here according to door hand and bevel

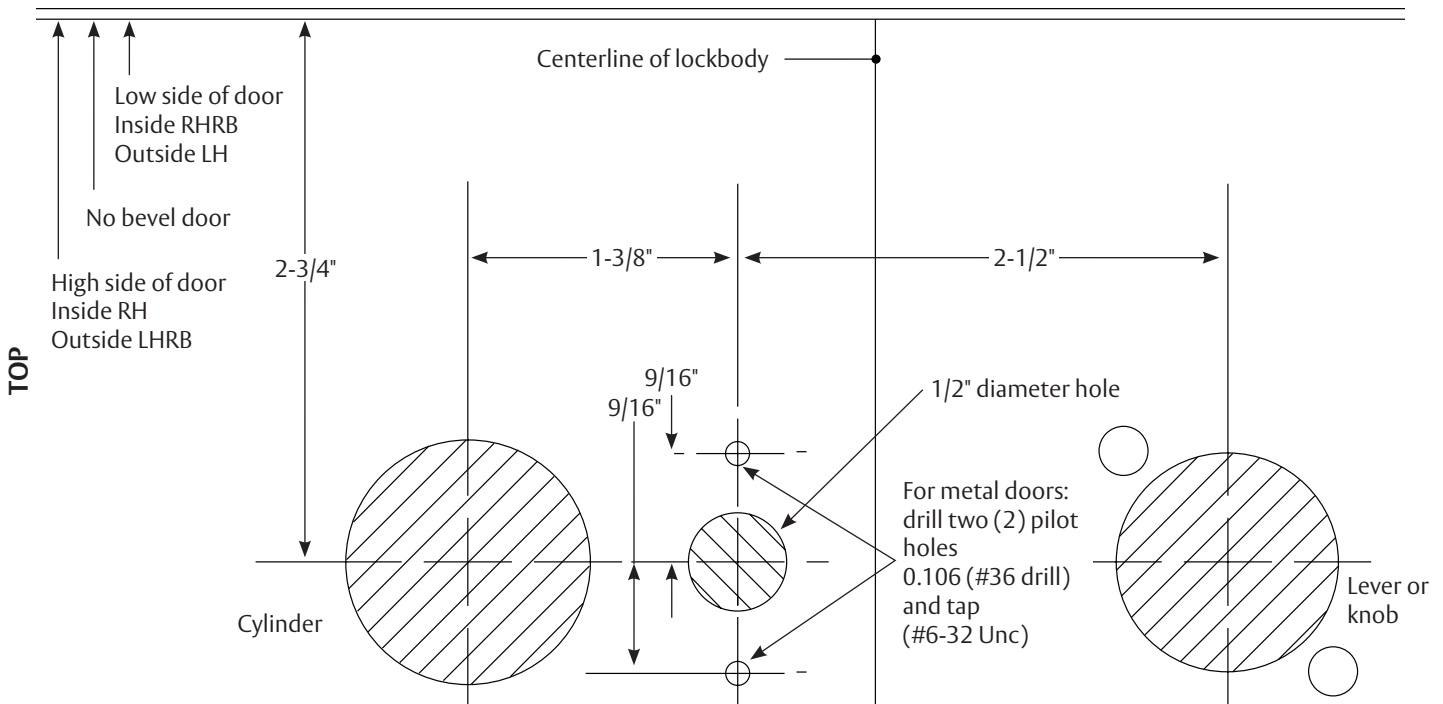


Figure 3

2

Changing Indicator Slides

1. Remove snap ring.
2. Remove rotation plate, spindle, and slide.
3. Replace with alternate slide.
4. Reassemble spindle and rotation plate.

Note:

- Ensure proper orientation of VAC/OCC Slide.
5. Replace snap ring into groove in button.

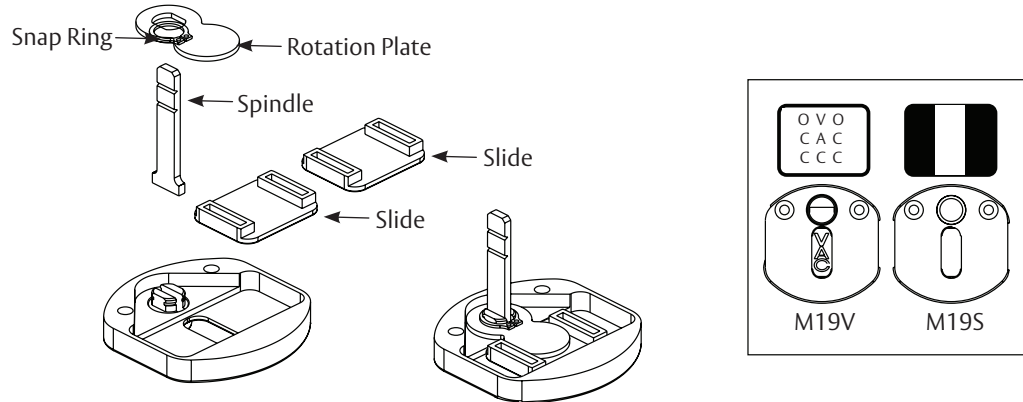


Figure 4



Fold here according to door hand and bevel

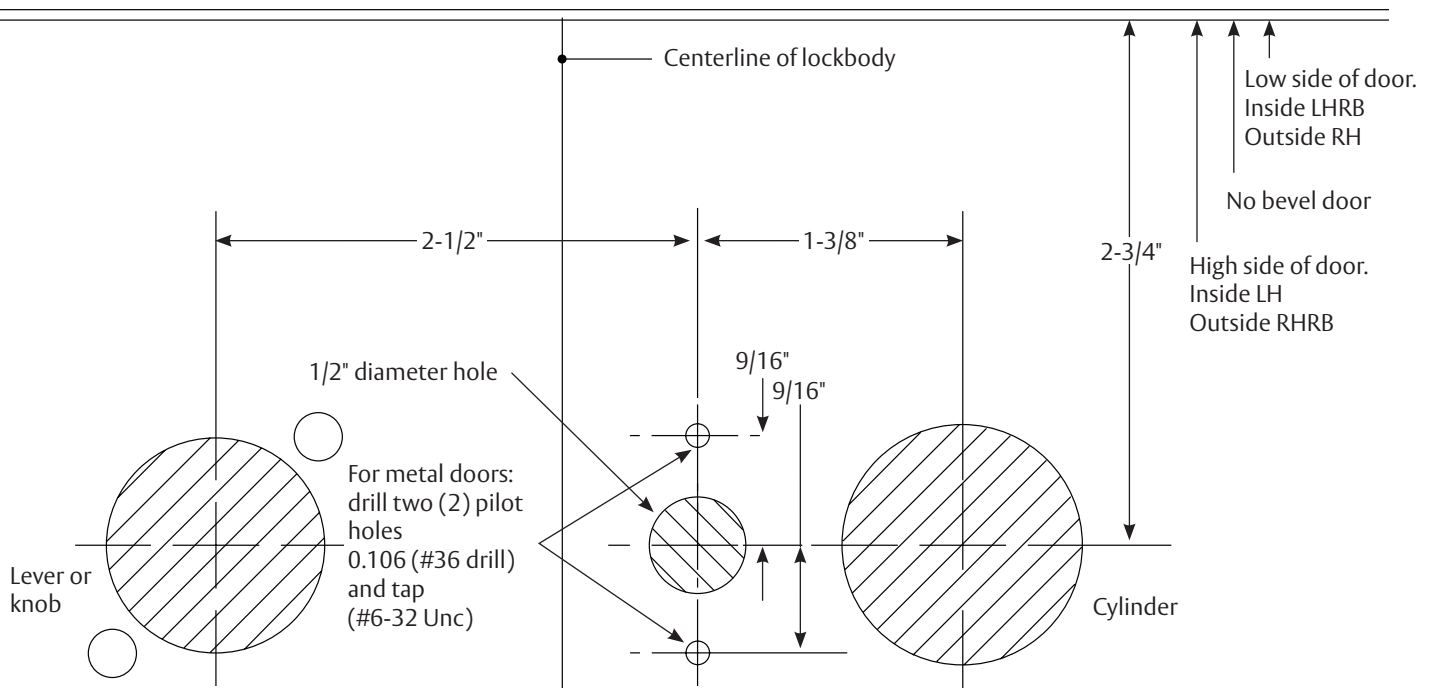


Figure 5

The ASSA ABLOY Group is the global leader in access solutions. Every day, we help billions of people experience a more open world.

ASSA ABLOY Opening Solutions leads the development within door openings and products for access solutions in homes, businesses and institutions. Our offering includes doors, frames, door and window hardware, locks, perimeter fencing, access control and service.



Corbin Russwin, Inc.
225 Episcopal Road
Berlin, CT 06037 USA
Phone: 800-543-3658
Fax: 800-447-6714
www.corbinrusswin.com

Corbin Russwin is a brand associated with ASSA ABLOY Access and Egress Hardware Group, Inc., an ASSA ABLOY Group company. Copyright © 2017, 20109, 2020 ASSA ABLOY Access and Egress Hardware Group, Inc. All rights reserved. Reproduction in whole or in part without the express written permission of ASSA ABLOY Access and Egress Hardware Group, Inc. is prohibited.

For installation assistance contact Corbin Russwin
1-800-543-3658 • techsupport.corbinrusswin@assaabloy.com

FM470 03/20