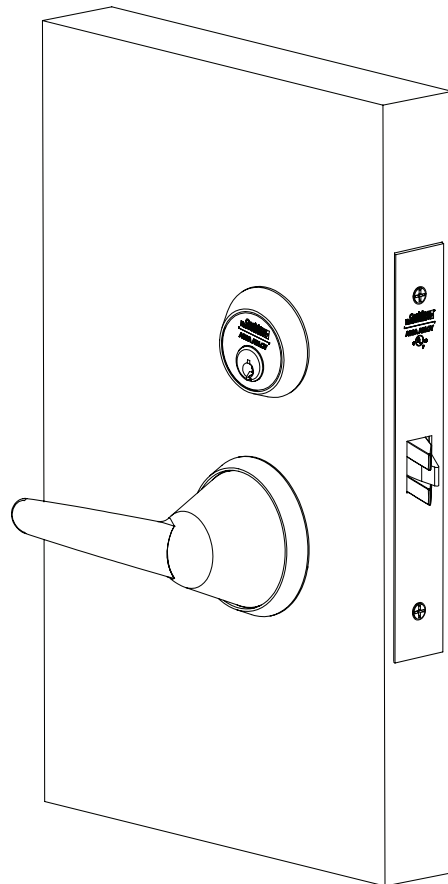


BLSS Freewheeling Trim Retrofit

For Trim purchased prior to August 2019
For Mortise Locks

ML2000 Series



⚠ WARNING

This product can expose you to lead which is known to the state of California to cause cancer and birth defects or other reproductive harm. For more information go to www.P65warnings.ca.gov.

TOC	Table of Contents
1	Tools Required3
2	Package Contents3
3	Assembly.....3
a	Prepare Spring Cartridges3
b	Assemble Spring Cartridges into BLSS Levers.....4
c	Rose Assembly4
d	Assemble Outside Adapter Plate and Rose4
4	Installation5
a	Install Adapter Clutch.....5
b	Install Outside Lever Assembly.....5
c	Install Outside Trim6
d	Install Inside Adapter Plate Assembly6
e	Install Inside BLSS Rose Assembly7
f	Install Inside Lever Assembly.....7

Attention Installer

Please read these instructions carefully to prevent missing important steps.

Notes

- Improper installation may result in damage to lock and void factory warranty.
- Other product brand names may be trademarks or registered trademarks of their respective owners and are mentioned for reference only.

BLSS Freewheeling Trim Retrofit

ML2000 Series

Corbin
Russwin

ASSA ABLOY

Installation Instructions

1

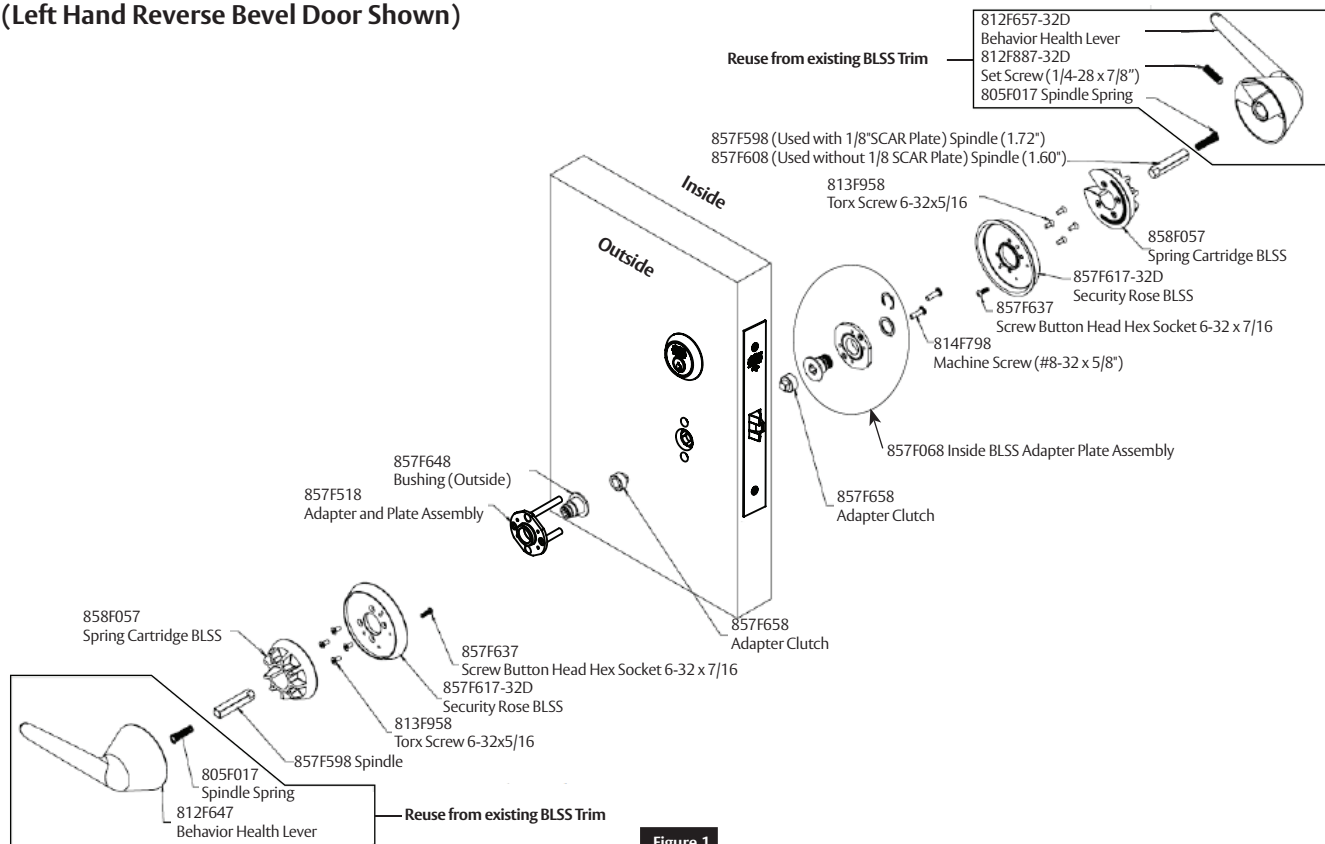
Tools Required

- Phillips Screwdriver (# 2)
- Torx Tamper Resistant Driver (T-20)
- Torx Tamper Resistant Driver (T-10)
- Hex Key Driver 5/64"

2

Package Contents

BLSS Freewheeling Trim Retrofit Parts
(Left Hand Reverse Bevel Door Shown)



3

Assembly

a

Prepare Spring Cartridges

Remove clear adhesive tape liners from spring cartridges before use. (Figure 2)



Figure 2

3

Assembly (cont.)

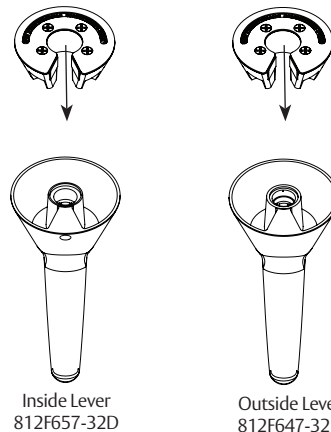
b

Assemble Spring Cartridges into BLSS Levers

Press spring cartridge assemblies into levers so that top of spring cartridge is flush or slightly below flush to lever's top surface. (Figure 3)

Note

Clean lever surface with rubbing alcohol prior to installing spring cartridge.



Finished Lever Assembly

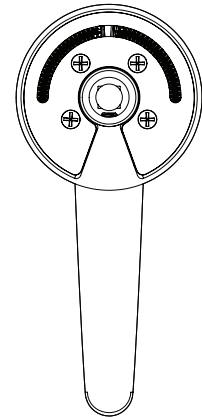


Figure 3

c

Rose Assembly

- Install button head screw into each rose. Use a 1/16" hex key to tighten screw firmly to rose. (Figure 4)

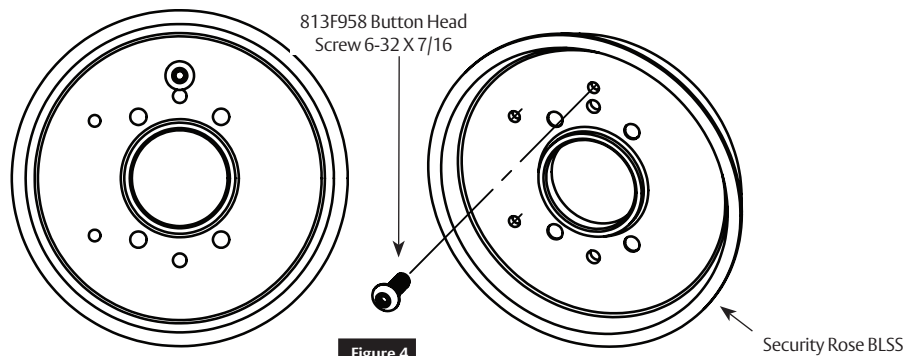


Figure 4

d

Assemble Outside Adapter Plate and Rose

- Install rose using four (4) security torx screws.

Note:

Tighten screws evenly.

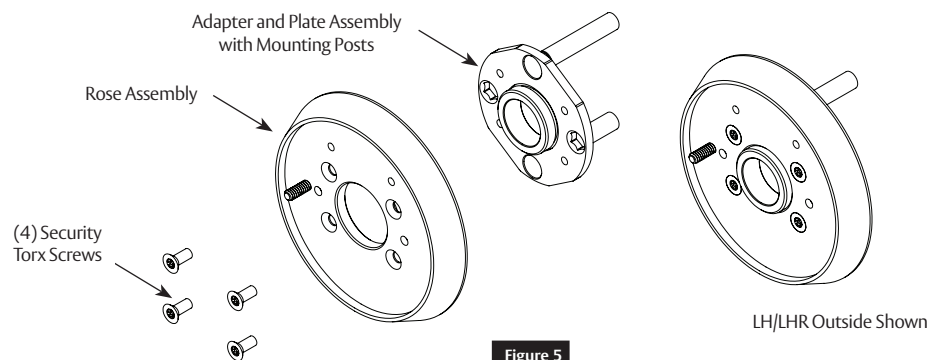


Figure 5

Installation Instructions

4

Installation

a

Install Adapter Clutch

Install adapter clutch into mortise lock hub. (Figure 6)

Note:

Adapter clutch is oriented toward latchbolt as shown.

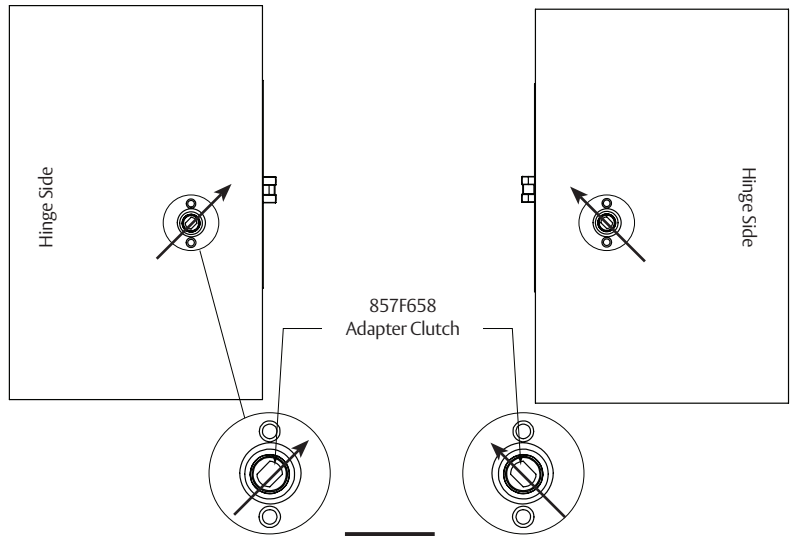


Figure 6

b

Install Outside Lever Assembly

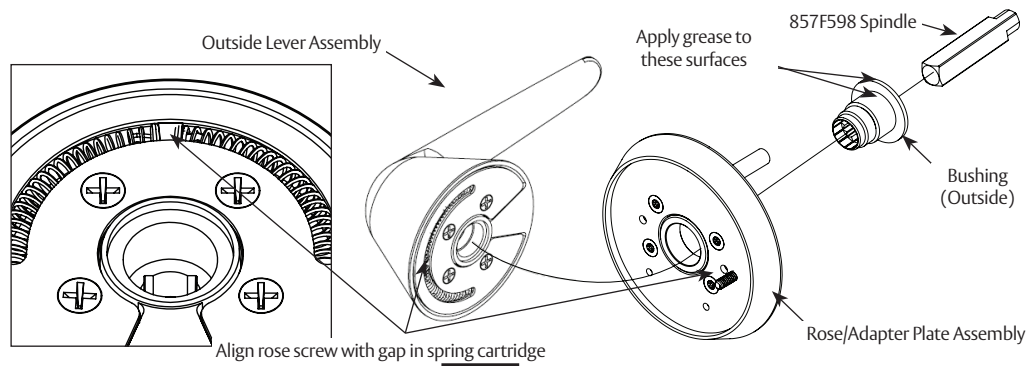


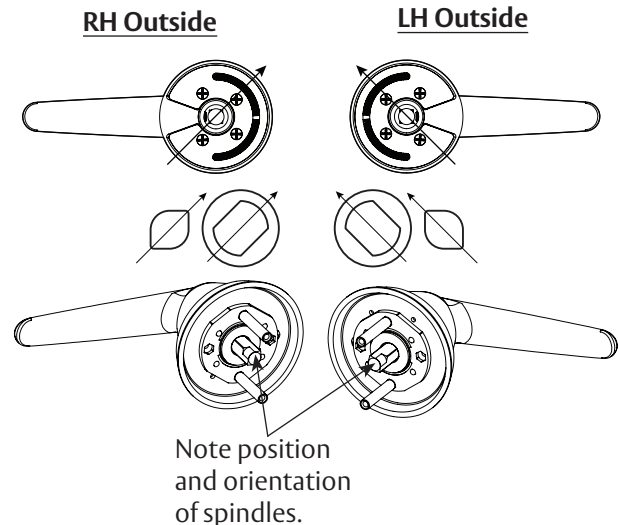
Figure 7

Use outside bushing and spindle to connect rose/adapter plate assembly to outside lever assembly. (Figure 7)

- Insert spindle into bushing; ensure that spindle is inserted no more than 3/4" deep.
- Use spindle to rotate bushing clockwise into outside lever hole.
- Fully tighten bushing, then unthread bushing just enough to allow spindle to be inserted into lever, keeping bushing as tight as possible.
- Once assembled, spindle orientation should be as shown. (Figure 8)

Note:

Longer spindle used on outside



Note position and orientation of spindles.

Figure 8

4

Installation (cont.)

c

Install Outside Trim

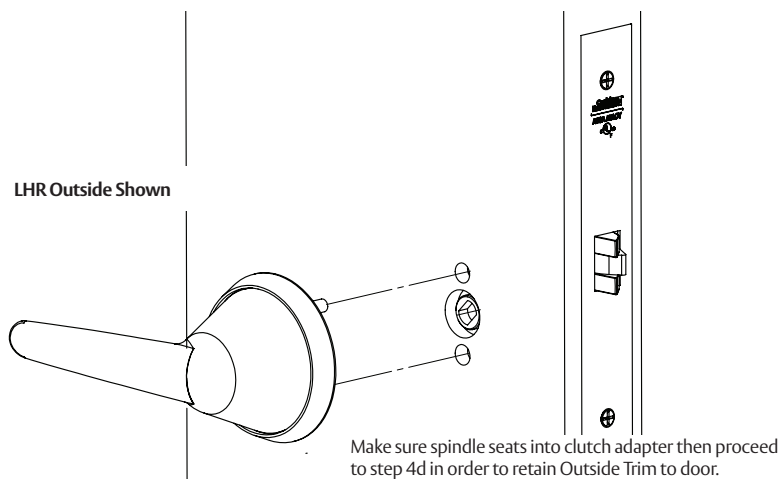


Figure 9

d

Install Inside Adapter Plate Assembly

Install inside adapter plate assembly using two (2) machine screws. (Figure 10)

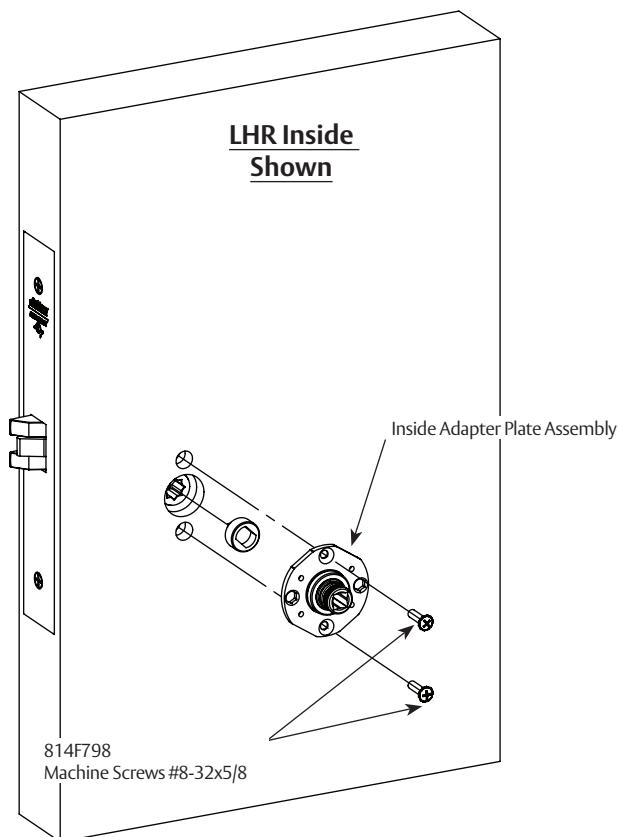


Figure 10

4

Installation (cont.)

e

Install Inside BLSS Rose Assembly

Attach inside rose assembly to inside adapter plate using four (4) security Torx screws. Tighten screws evenly. (Figure 11)

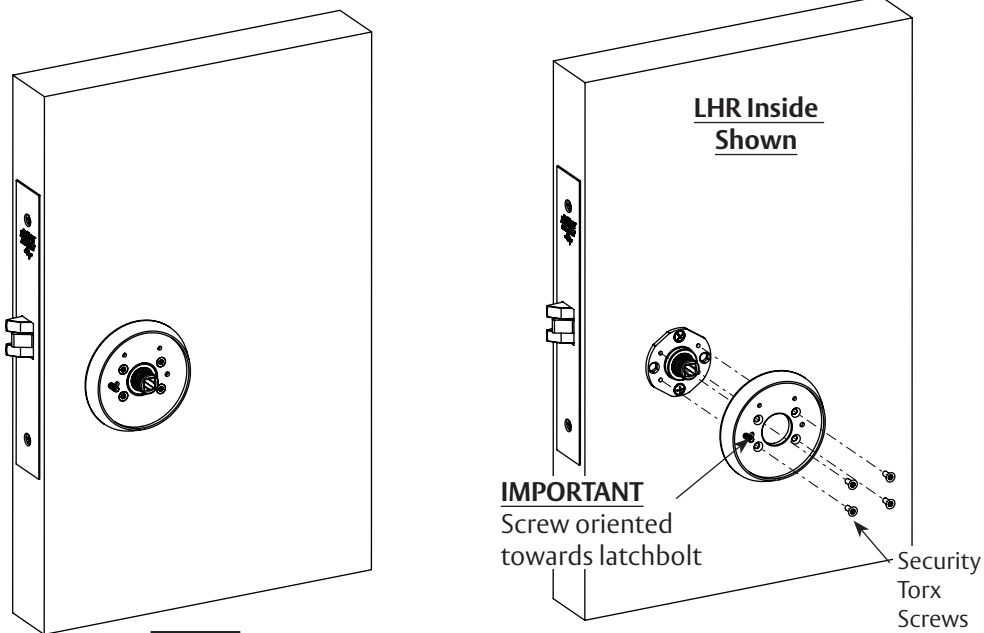


Figure 11

f

Install Inside Lever Assembly

- Install inside Spindle. (Figure 12)
- Install inside BLSS lever assembly to inside adapter plate assembly using security torx set screw.

IMPORTANT

- Line up rose screw with gap on spring cartridge.
- Make sure machined end of spindle seats into clutch adapter before assembling lever onto rose. (Figure 12)

Note

- Inside of LHR shown.
- Shorter spindle used on inside.

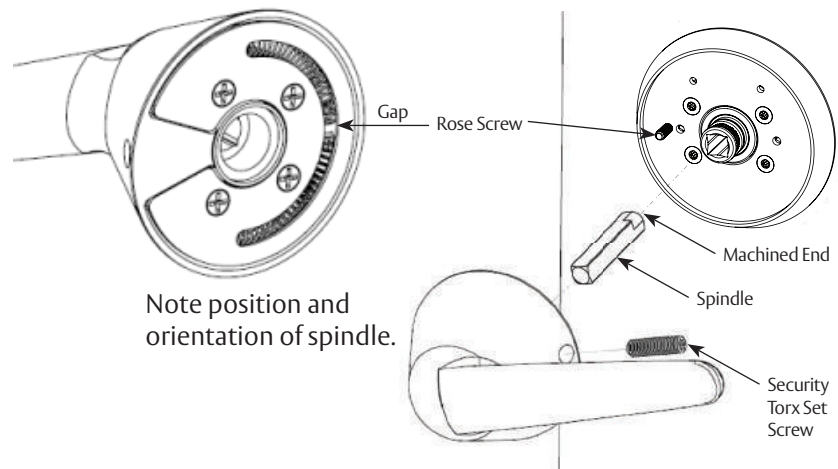


Figure 12

The ASSA ABLOY Group is the global leader in access solutions. Every day, we help billions of people experience a more open world.

ASSA ABLOY Opening Solutions leads the development within door openings and products for access solutions in homes, businesses and institutions. Our offering includes doors, frames, door and window hardware, locks, perimeter fencing, access control and service.



Corbin Russwin, Inc.
225 Episcopal Road
Berlin, CT 06037 USA
Phone: 800-543-3558
Fax: 800-447-6714
www.corbinrusswin.com

Corbin Russwin is a brand associated with ASSA ABLOY Access and Egress Hardware Group, Inc., an ASSA ABLOY Group company. Copyright © 2019, ASSA ABLOY Access and Egress Hardware Group, Inc. All rights reserved. Reproduction in whole or in part without the express written permission of ASSA ABLOY Access and Egress Hardware Group, Inc. is prohibited.

For installation assistance contact Corbin Russwin
1-800-543-3658 • techsupport.corbinrusswin@assaabloy.com

FM522 08/19