

# ML2000 Series

Mortise Lock Parts Manual  
For Locks Made After January 2016



Experience a safer  
and more open world

 **WARNING**

This product can expose you to lead which is known to the state of California to cause cancer and birth defects or other reproductive harm. For more information go to [www.P65warnings.ca.gov](http://www.P65warnings.ca.gov).

## Deadlock Functions

ML2011.....	4
ML2012.....	4
ML2013.....	4
ML2017.....	6

## Lockset Functions

ML2002 - Classroom.....	8
ML2003 - Classroom Intruder .....	8
ML2004 - Classroom.....	8
ML2010 - Passage or Closet.....	10
ML2020 - Privacy, Bedroom or Bathroom .....	12
ML2022 - Store Door .....	12
ML2024 - Entrance or Storeroom .....	12
ML2029 - Hotel or Motel.....	14
ML2030 - Privacy, Bedroom or Bathroom .....	16
ML2032 - Institution or Utility .....	18
ML2040 - Passage with Indicator .....	20
ML2042 - Entrance or Public Restroom .....	22
ML2048 - Entrance or Apartment .....	24
ML2049 - Storeroom Deadbolt .....	14
ML2051 - Entrance or Office.....	26
ML2052 - Classroom Intruder Multi-Function Lock .....	22
ML2053 - Entrance or Office, Multi-Function Lock .....	22
ML2054 - Entrance or Office, Multi-Function Lock .....	22
ML2055 - Classroom, Multi-Function Lock .....	22
ML2056 - Classroom Holdback .....	28
ML2057 - Storeroom or Closet.....	30
ML2058 - Entrance or Office Holdback .....	28
ML2059 - Security Storeroom or Closet.....	14
ML2060 - Privacy .....	32
ML2062 - Intruder Deadbolt .....	16
ML2065 - Dormitory or Entrance.....	16
ML2067 - Apartment or Dormitory .....	34
ML2068 - Privacy or Apartment .....	36
ML2069 - Institutional Privacy .....	38
ML2072 - Classroom Intruder .....	40
ML2073 - Classroom Security.....	40
ML2075 - Security Entrance or Office.....	40

## Lockset Functions (cont.)

ML2080 - Half Active Dummy Trim.....	42
ML2082 - Dormitory or Exit.....	44
ML2087 Security Vestibule.....	46
ML2090 - Fully Active Dummy Trim .....	48
ML2092 - Security Institution or Utility .....	50

## Mortise Crossbar Exit Device Functions

Strikes.....	52
Armored Fronts.....	53

## Trim Components

Lever or Knob x Wrought Escutcheon.....	54
Lever or Knob x Cast Escutcheon .....	54
Vandal Resistant Lever Trim .....	55
Lever or Knob x Rose .....	55
Half Trim - Lever or Knob x Escutcheon .....	56
Half Trim - Lever or Knob x Rose.....	56
Inside Levers & Outside Lever/Spindle Assemblies .....	57
Inside Knobs & Outside Knob/Spindle Assemblies.....	60
Inside & Outside Muséo Decorative Levers.....	61

## Escutcheons

M Escutcheon.....	62
N Escutcheon.....	64
P Escutcheon .....	64
R Escutcheon .....	65
L Escutcheon.....	66
V Escutcheon.....	68
Rose Packets.....	69
Rose Packets - Muséo .....	70
Adapter Packets.....	71
Spindles and Component Parts .....	74
Screws & Screw Packets .....	75
Miscellaneous Parts.....	76
Cylinders.....	78
Cylinder Collars.....	79
ML2000 Series Hand Reversing Instructions.....	84

The warranty on Corbin Russwin products becomes void if the product is modified in any way, regardless of whether the modifications causes or contributes to any alleged defect. If a Corbin Russwin product is modified it may no longer meet industry certification and quality control standards applicable to the original product and is no longer a genuine Corbin Russwin product.

Copyright © 2000-2023, ASSA ABLOY Access and Egress Hardware Group, Inc. All rights reserved. Reproduction in whole or in part without the express written permission of ASSA ABLOY Access and Egress Hardware Group, Inc. is prohibited. Patent pending and/or patent [www.assaabloydss.com/patents](http://www.assaabloydss.com/patents).

To order parts, use the appropriate Part Number and specify Finish (FIN) as directed. For example, to order ten Toggle Levers for the ML2067 Function, use the following configuration:

Quantity	Part Number
10	851F617

- In order to simplify the ordering procedure, parts are only available as listed.
- Refer to the installation instructions for complete installation.
- Limited warranty against defects in materials and workmanship under normal use and service. Corbin Russwin is not responsible for alterations or modifications made to our products by others. (See full limited warranty for further details.)
- For assistance, contact your authorized Corbin Russwin distributor or Corbin Russwin directly at:

**In US:**

Corbin Russwin Architectural Hardware  
 225 Episcopal Road  
 Berlin, CT 06037  
 Phone: 800-543-6714  
 Fax: 800-447-6714  
 www.corbinrusswin.com

**In Canada:**

ASSA ABLOY Door Security Solutions Canada  
 160 Four Valley Drive  
 Vaughan, Ontario  
 Canada L4K 4T9  
 Phone: 800-461-3007  
 Fax: 905-738-2478  
 www.assaabloy.ca

**Notes:**

1. This parts manual contains information on parts specific to locksets shipped after Jan. 2016. For units shipped prior to Jan. 2016 refer to parts manual document #45305 or contact technical support.
2. The knobs referenced in this parts manual are for GZ and YZ knobs only. For other knob designs, contact technical product support.

**Phone: (888) 607-5703**

**Email: techsupport.corbinrusswin@assaabloy.com**

The warranty on Corbin Russwin products becomes void if the product is modified in any way, regardless of whether the modifications causes or contributes to any alleged defect. If a Corbin Russwin product is modified it may no longer meet industry certification and quality control standards applicable to the original product and is no longer a genuine Corbin Russwin product.

Copyright © 2000-2023, ASSA ABLOY Access and Egress Hardware Group, Inc. All rights reserved. Reproduction in whole or in part without the express written permission of ASSA ABLOY Access and Egress Hardware Group, Inc. is prohibited. Patent pending and/or patent www.assaabloydss.com/patents.

**Deadlock**

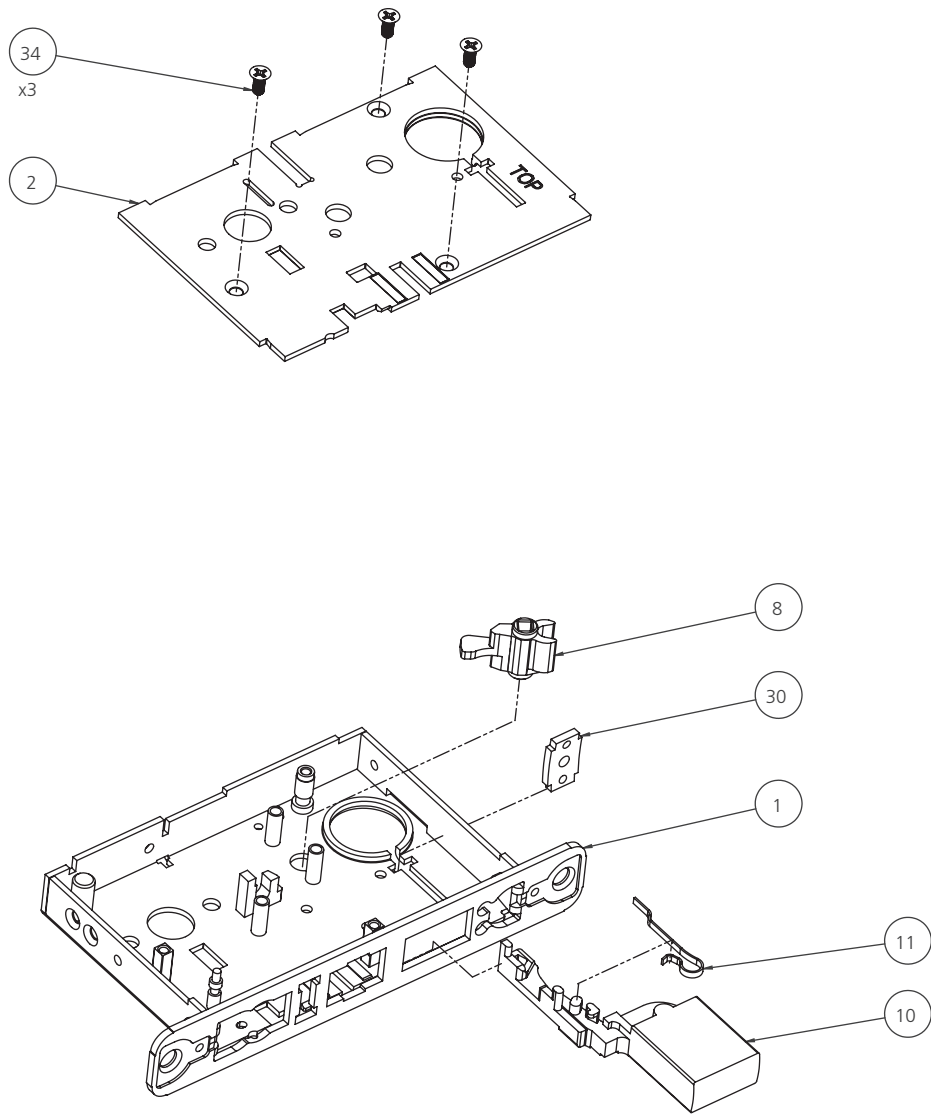
ITEM NO.	PART NUMBER	DESCRIPTION	SELLABLE
1	820F268	Case & Front SA, Standard	No
2	700F278	Cap, Case Standard	No
8	813F505	Hub, Turnpiece Standard	Yes
10	702F987	Deadbolt, Standard	Yes
11	701F228	Spring, Deadbolt	Yes
30	402F738	Bracket, Cylinder Set Screw	Yes
34	684F188	Screw, FHUM-PH-TITE #8-32 x 3/8"	Yes
See page 53	079F00 FIN*	Armored Front	Yes
See page 52	236L72018	Std. Strike	Yes
See page 75	429F41 FIN*	Mortise Lock Mounting Packet  NOTE: For double cylinder functions an additional cylinder set screw is required.	Yes
	488F088	Cylinder Set Screw	

\*Specify finish

The warranty on Corbin Russwin products becomes void if the product is modified in any way, regardless of whether the modifications causes or contributes to any alleged defect. If a Corbin Russwin product is modified it may no longer meet industry certification and quality control standards applicable to the original product and is no longer a genuine Corbin Russwin product.

Copyright © 2000-2023, ASSA ABLOY Access and Egress Hardware Group, Inc. All rights reserved. Reproduction in whole or in part without the express written permission of ASSA ABLOY Access and Egress Hardware Group, Inc. is prohibited. Patent pending and/or patent [www.assaabloydss.com/patents](http://www.assaabloydss.com/patents).

**Deadlock**



The warranty on Corbin Russwin products becomes void if the product is modified in any way, regardless of whether the modifications causes or contributes to any alleged defect. If a Corbin Russwin product is modified it may no longer meet industry certification and quality control standards applicable to the original product and is no longer a genuine Corbin Russwin product.

Copyright © 2000-2023, ASSA ABLOY Access and Egress Hardware Group, Inc. All rights reserved. Reproduction in whole or in part without the express written permission of ASSA ABLOY Access and Egress Hardware Group, Inc. is prohibited. Patent pending and/or patent [www.assaabloydss.com/patents](http://www.assaabloydss.com/patents).

**Classroom Deadlock**

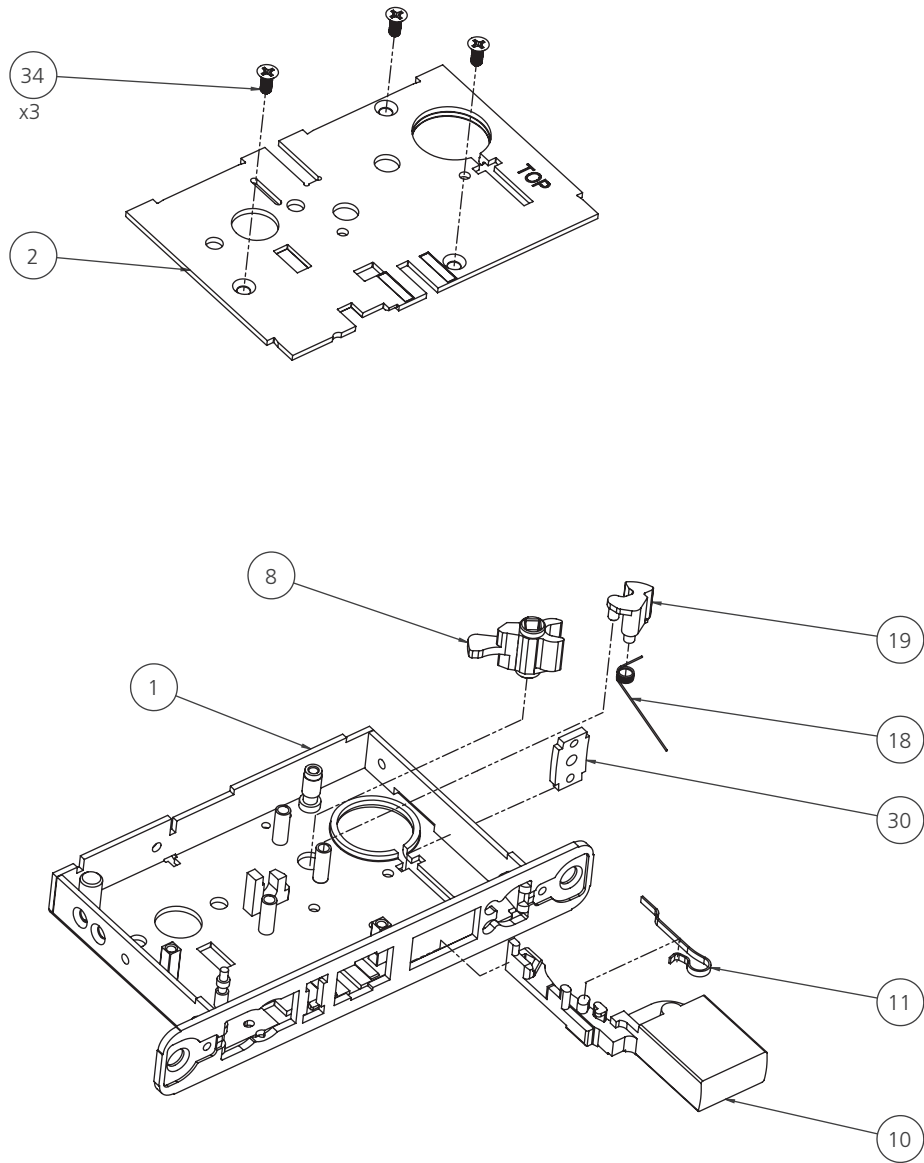
ITEM NO.	PART NUMBER	DESCRIPTION	SELLABLE
1	820F268	Case & Front SA, Standard	No
2	700F278	Cap, Case Standard	No
8	813F505	Hub, Turnpiece Standard	Yes
10	702F987	Deadbolt, Standard	Yes
11	701F228	Spring, Deadbolt	Yes
18	852F318	Spring, Func. 17	Yes
19	852F307	Bracket, Classroom Func. 17	Yes
30	402F738	Bracket, Cylinder Set Screw	Yes
34	684F188	Screw, FHUM-PH-TITE #8-32 x 3/8"	Yes
See page 53	079F00 FIN*	Armored Front	Yes
See page 52	236L72018	Std. Strike	Yes
See page 75	429F41 FIN*	Mortise Lock Mounting Packet	Yes

\*Specify finish

The warranty on Corbin Russwin products becomes void if the product is modified in any way, regardless of whether the modifications causes or contributes to any alleged defect. If a Corbin Russwin product is modified it may no longer meet industry certification and quality control standards applicable to the original product and is no longer a genuine Corbin Russwin product.

Copyright © 2000-2023, ASSA ABLOY Access and Egress Hardware Group, Inc. All rights reserved. Reproduction in whole or in part without the express written permission of ASSA ABLOY Access and Egress Hardware Group, Inc. is prohibited. Patent pending and/or patent [www.assaabloydss.com/patents](http://www.assaabloydss.com/patents).

Classroom Deadlock



The warranty on Corbin Russwin products becomes void if the product is modified in any way, regardless of whether the modifications causes or contributes to any alleged defect. If a Corbin Russwin product is modified it may no longer meet industry certification and quality control standards applicable to the original product and is no longer a genuine Corbin Russwin product.

Copyright © 2000-2023, ASSA ABLOY Access and Egress Hardware Group, Inc. All rights reserved. Reproduction in whole or in part without the express written permission of ASSA ABLOY Access and Egress Hardware Group, Inc. is prohibited. Patent pending and/or patent [www.assaabloydss.com/patents](http://www.assaabloydss.com/patents).

## Classroom Intruder, Classroom

ITEM NO.	PART NUMBER	DESCRIPTION	SELLABLE
1	820F268	Case & Front SA, Standard	No
2	700F278	Cap, Case Standard	No
3	702F598	Lever, Stop	Yes
△ 4	820F068 853F068	Hub (Cap Side) Lever Knob	Yes
△ 5	820F078 853F078	Hub (Case Side) Lever Knob	Yes
6	853F497	Stop	Yes
8	813F505	Hub, Turnpiece Standard	Yes
9	864F107	Latchbolt Sub-Assembly, Standard	Yes
12	624F488	Lever, Deadlocking	Yes
13	700F907	Spring, Deadlocking Spring	Yes
14	403F677	Latch, Auxiliary	Yes
15	678F548	Lever, Auxiliary	Yes
16	678F677	Spring, Auxiliary Lever	Yes
17	820F008	Lever, Hub Assembly	Yes
20	820F048	Spring, Hub Lever	Yes
23	436F177	Ring, Retaining	Yes
□ 28	466F229	Spacer, Square	Yes
□ 29	404F858	Spring, Lever Return	Yes
30	402F738	Bracket, Cylinder Set Screw	Yes
31	404F868	Bracket, Align	Yes
34	684F188	Screw, FHUM-PH-TITE #8-32 x 3/8"	Yes
△ 35	684F119 853F089	Spacer, Hub Lever Knob	Yes
□ 36	684F129	Spacer, Lever Return Spring	Yes
41	624F439	Spacer, Tall	Yes
47	790F027	Spring, Turn-Piece Hub	Yes
See page 53	624F49 FIN*	Armored Front	Yes
See page 52	236L72018	Std. Strike	Yes
See page 75	429F41 FIN*	Mortise Lock Mounting Packet	Yes
	488F088	NOTE: For double cylinder functions an additional cylinder set screw is required. Cylinder Set Screw	

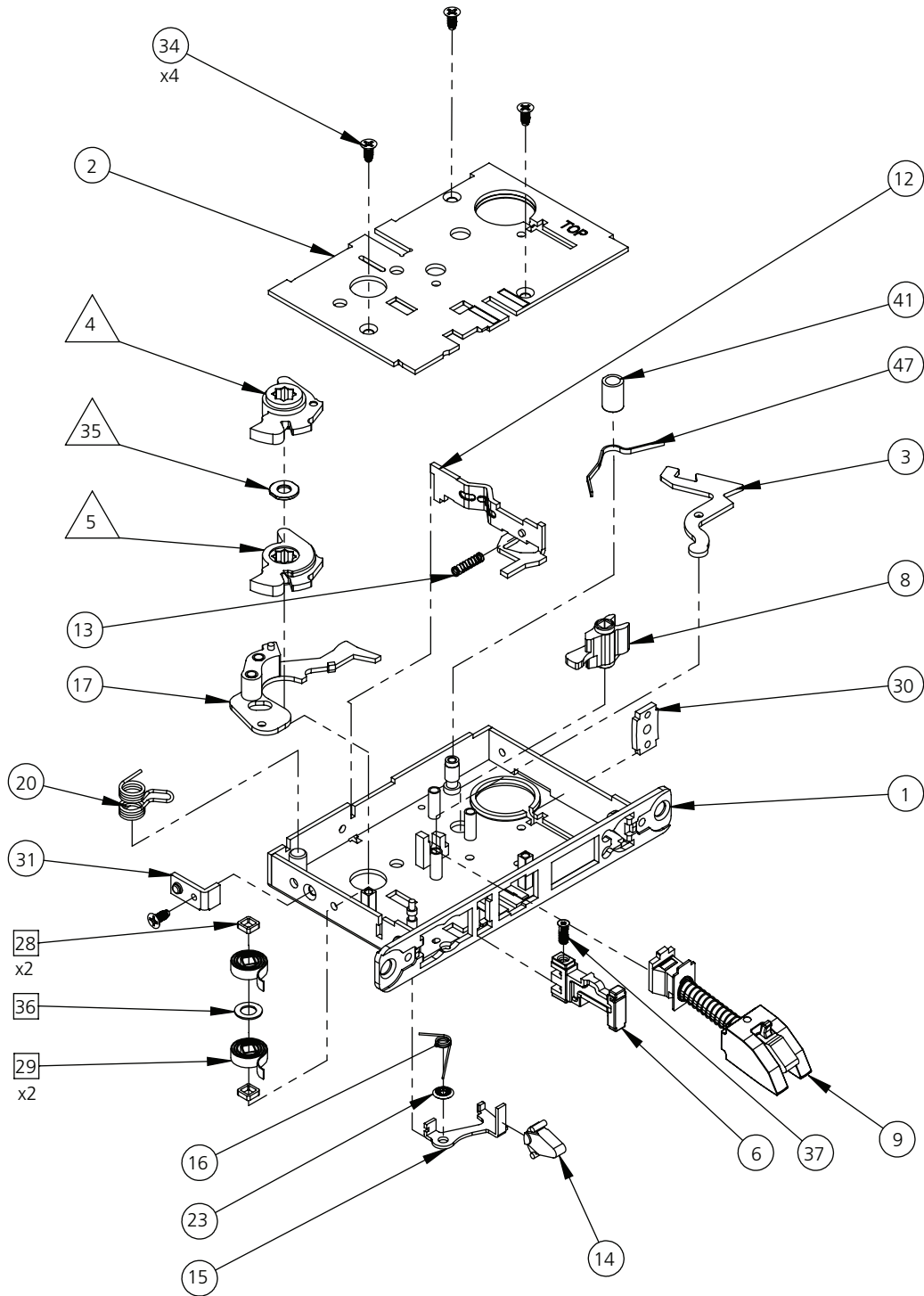
\*Specify finish

The warranty on Corbin Russwin products becomes void if the product is modified in any way, regardless of whether the modifications causes or contributes to any alleged defect. If a Corbin Russwin product is modified it may no longer meet industry certification and quality control standards applicable to the original product and is no longer a genuine Corbin Russwin product.

Copyright © 2000-2023, ASSA ABLOY Access and Egress Hardware Group, Inc. All rights reserved. Reproduction in whole or in part without the express written permission of ASSA ABLOY Access and Egress Hardware Group, Inc. is prohibited. Patent pending and/or patent [www.assaabloydss.com/patents](http://www.assaabloydss.com/patents).



**Classroom Intruder, Classroom**



- Parts common to both lever and knob trim designs.
- Parts for lever trim designs only.
- △ Lever and knob trim designs utilize different part numbers. See table.

The warranty on Corbin Russwin products becomes void if the product is modified in any way, regardless of whether the modifications causes or contributes to any alleged defect. If a Corbin Russwin product is modified it may no longer meet industry certification and quality control standards applicable to the original product and is no longer a genuine Corbin Russwin product.

Copyright © 2000-2023, ASSA ABLOY Access and Egress Hardware Group, Inc. All rights reserved. Reproduction in whole or in part without the express written permission of ASSA ABLOY Access and Egress Hardware Group, Inc. is prohibited. Patent pending and/or patent [www.assaabloydss.com/patents](http://www.assaabloydss.com/patents).

## Passage or Closet

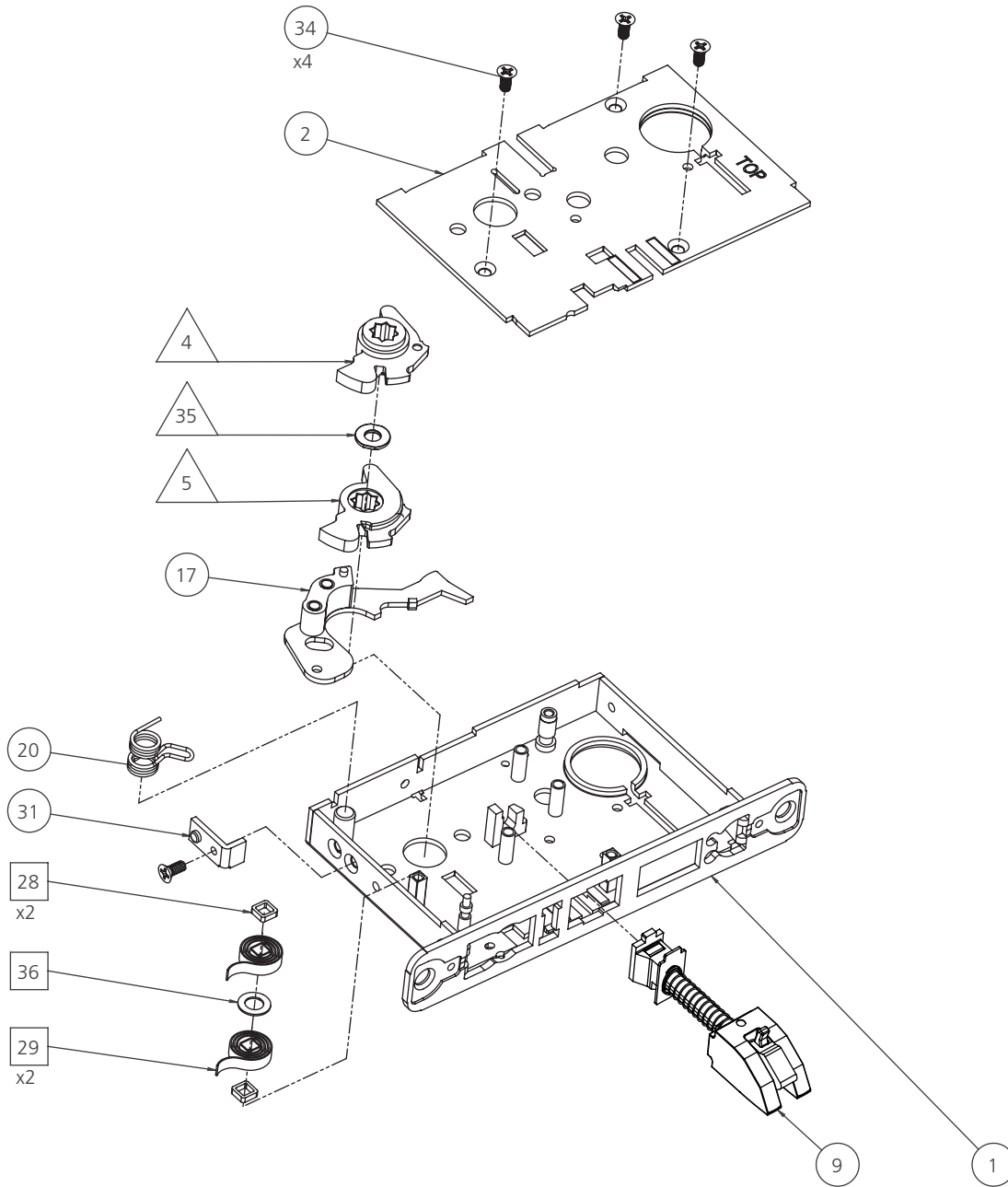
ITEM NO.	PART NUMBER	DESCRIPTION	SELLABLE
1	820F268	Case & Front SA, Standard	No
2	700F278	Cap, Case Standard	No
△ 4	820F068	Hub (Cap Side) Lever	Yes
	853F068	Knob	
△ 5	820F078	Hub (Case Side) Lever	Yes
	853F078	Knob	
9	864F107	Latchbolt Sub-Assembly, Standard	Yes
17	820F008	Lever, Hub Assembly	Yes
20	820F048	Spring, Hub Lever	Yes
□ 28	466F229	Spacer, Square	Yes
□ 29	404F858	Spring, Lever Return	Yes
31	404F868	Bracket, Align	Yes
34	684F188	Screw, FHUM-PH-TITE #8-32 x 3/8"	Yes
△ 35	684F119	Spacer, Hub Lever	Yes
	853F089	Knob	
□ 36	684F129	Spacer, Lever Return Spring	Yes
See page 53	423F54 FIN*	Armored Front	Yes
See page 52	236L72018	Std. Strike	Yes
See page 75	429F41 FIN*	Mortise Lock Mounting Packet	Yes

\*Specify finish

The warranty on Corbin Russwin products becomes void if the product is modified in any way, regardless of whether the modifications causes or contributes to any alleged defect. If a Corbin Russwin product is modified it may no longer meet industry certification and quality control standards applicable to the original product and is no longer a genuine Corbin Russwin product.

Copyright © 2000-2023, ASSA ABLOY Access and Egress Hardware Group, Inc. All rights reserved. Reproduction in whole or in part without the express written permission of ASSA ABLOY Access and Egress Hardware Group, Inc. is prohibited. Patent pending and/or patent [www.assaabloydss.com/patents](http://www.assaabloydss.com/patents).

Passage or Closet



- Parts common to both lever and knob trim designs.
- Parts for lever trim designs only.
- △ Lever and knob trim designs utilize different part numbers. See table.

The warranty on Corbin Russwin products becomes void if the product is modified in any way, regardless of whether the modifications causes or contributes to any alleged defect. If a Corbin Russwin product is modified it may no longer meet industry certification and quality control standards applicable to the original product and is no longer a genuine Corbin Russwin product.

Copyright © 2000-2023, ASSA ABLOY Access and Egress Hardware Group, Inc. All rights reserved. Reproduction in whole or in part without the express written permission of ASSA ABLOY Access and Egress Hardware Group, Inc. is prohibited. Patent pending and/or patent [www.assaabloydss.com/patents](http://www.assaabloydss.com/patents).

## Privacy, Bedroom or Bathroom, Store Door, Entrance or Storeroom

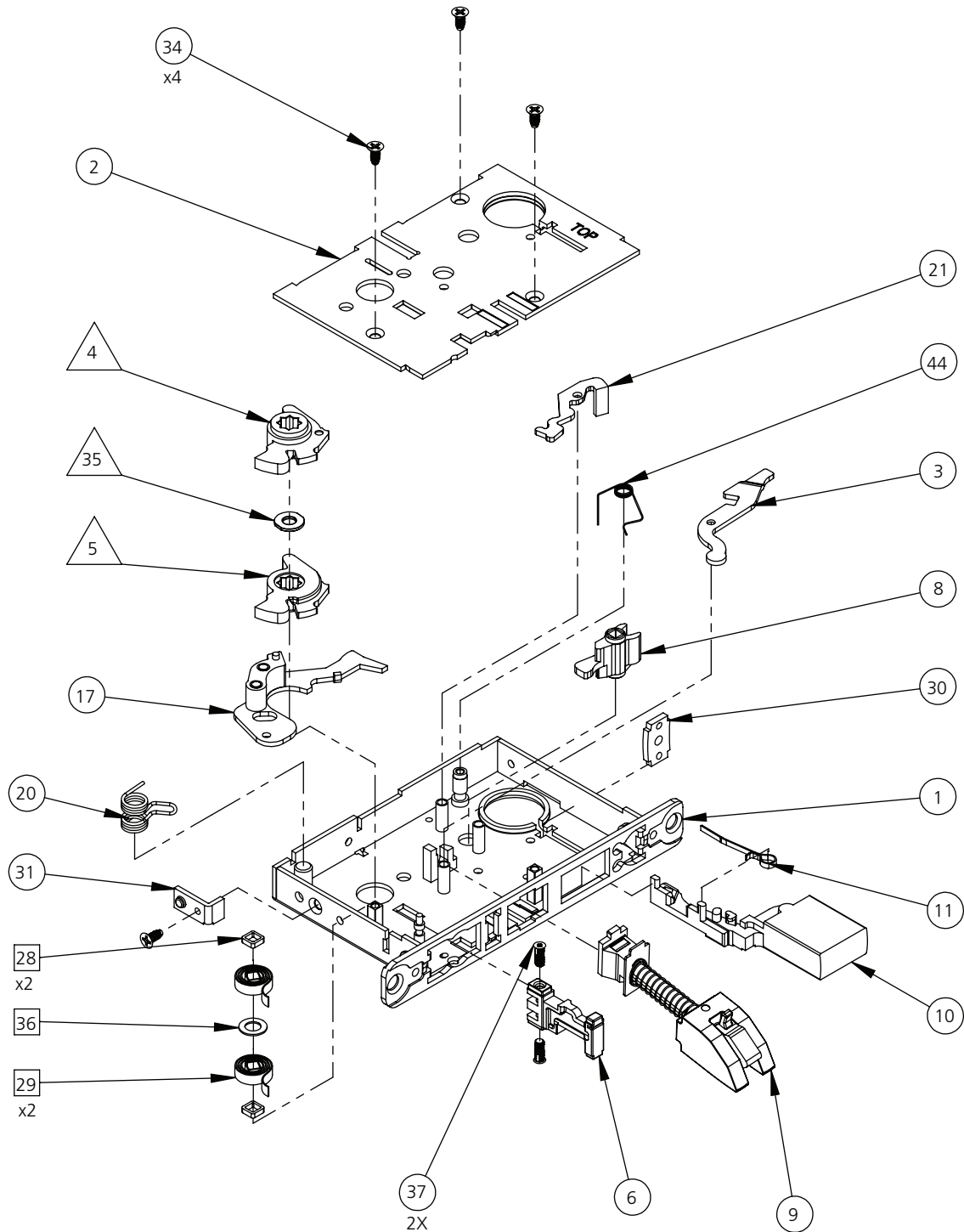
ITEM NO.	PART NUMBER	DESCRIPTION	SELLABLE	
1	820F268	Case & Front SA, Standard	No	
2	700F278	Cap, Case Standard	No	
3	700F708	Lever, Stop	Yes	
△	4	820F068 853F068	Hub (Cap Side) Lever Knob	Yes
△	5	820F078 853F078	Hub (Case Side) Lever Knob	Yes
6	853F497	Stop	Yes	
8	813F505	Hub, Turnpiece Standard	Yes	
9	864F107	Latchbolt Sub-Assembly, Standard	Yes	
10	702F987	Deadbolt, Standard	Yes	
11	701F228	Spring, Deadbolt	Yes	
17	820F008	Lever, Hub Assembly	Yes	
20	820F048	Spring, Hub Lever	Yes	
21	701F748	Lever, Cylinder Latch Lever	Yes	
□	28	466F229	Spacer, Square	Yes
□	29	404F858	Spring, Lever Return	Yes
30	402F738	Bracket, Cylinder Set Screw	Yes	
31	404F868	Bracket, Align	Yes	
34	684F188	Screw, FHUM-PH-TITE #8-32 x 3/8"	Yes	
△	35	684F119 853F089	Spacer, Hub Lever Knob	Yes
□	36	684F129	Spacer, Lever Return Spring	Yes
37	684F067	Screw, Stop	Yes	
44	700F957	Spring, Cylinder Latch Lever	Yes	
See page 53	423F54 FIN*	Armored Front	Yes	
See page 52	236L72018	Std. Strike	Yes	
See page 75	429F41 FIN*	Mortise Lock Mounting Packet	Yes	
	488F088	Cylinder Set Screw		

\*Specify finish

The warranty on Corbin Russwin products becomes void if the product is modified in any way, regardless of whether the modifications causes or contributes to any alleged defect. If a Corbin Russwin product is modified it may no longer meet industry certification and quality control standards applicable to the original product and is no longer a genuine Corbin Russwin product.

Copyright © 2000-2023, ASSA ABLOY Access and Egress Hardware Group, Inc. All rights reserved. Reproduction in whole or in part without the express written permission of ASSA ABLOY Access and Egress Hardware Group, Inc. is prohibited. Patent pending and/or patent [www.assaabloydss.com/patents](http://www.assaabloydss.com/patents).

**Privacy, Bedroom or Bathroom, Store Door, Entrance or Storeroom**



- Parts common to both lever and knob trim designs.
- Parts for lever trim designs only.
- △ Lever and knob trim designs utilize different part numbers. See table.

The warranty on Corbin Russwin products becomes void if the product is modified in any way, regardless of whether the modifications causes or contributes to any alleged defect. If a Corbin Russwin product is modified it may no longer meet industry certification and quality control standards applicable to the original product and is no longer a genuine Corbin Russwin product.

Copyright © 2000-2023, ASSA ABLOY Access and Egress Hardware Group, Inc. All rights reserved. Reproduction in whole or in part without the express written permission of ASSA ABLOY Access and Egress Hardware Group, Inc. is prohibited. Patent pending and/or patent [www.assaabloydss.com/patents](http://www.assaabloydss.com/patents).

## Hotel or Motel, Security Storeroom or Closet

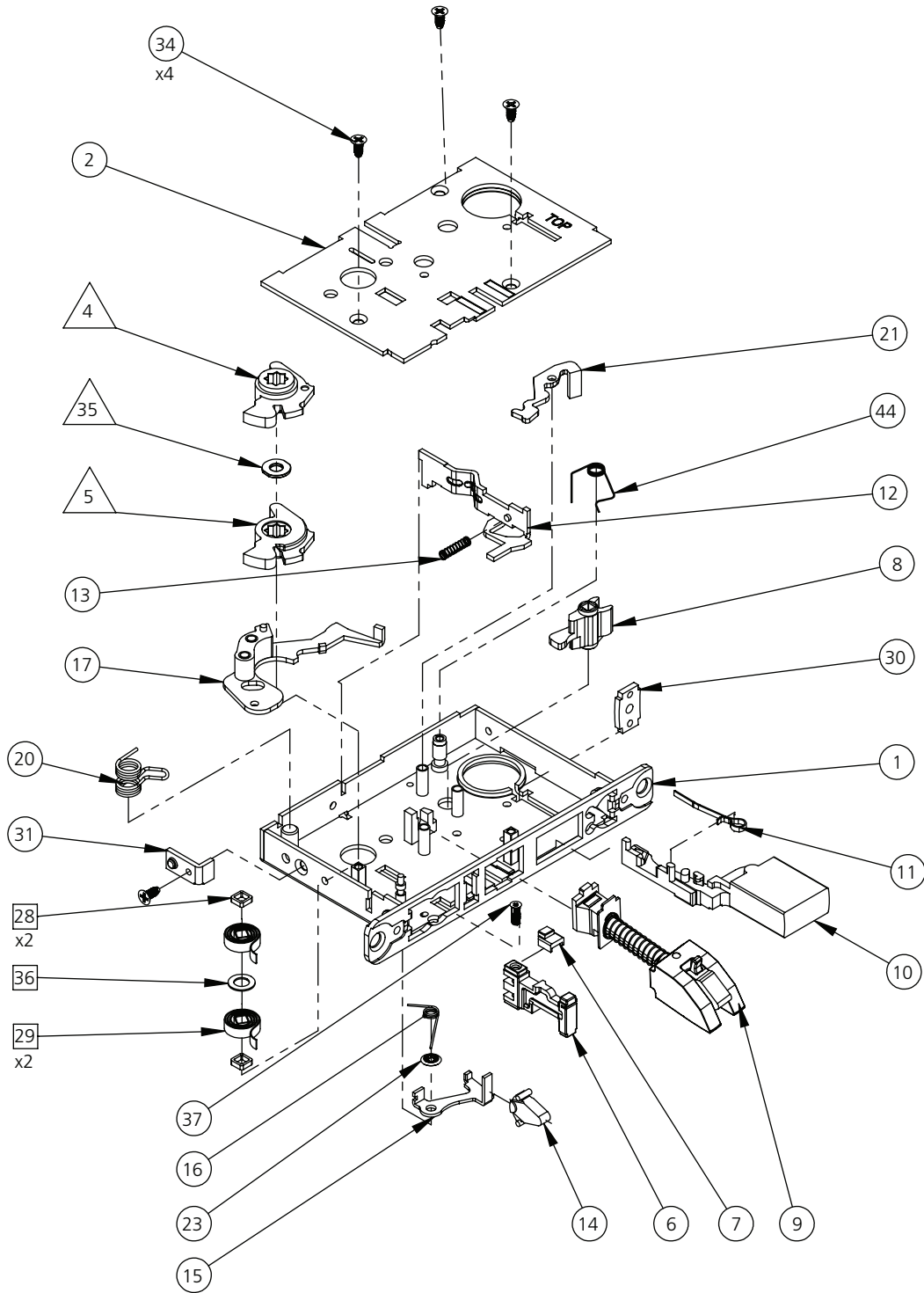
ITEM NO.	PART NUMBER	DESCRIPTION	SELLABLE
1	820F268	Case & Front SA, Standard	No
2	700F278	Cap, Case Standard	No
△ 4	820F068 853F068	Hub (Cap Side) Lever Knob	Yes
△ 5	820F078 853F078	Hub (Case Side) Lever Knob	Yes
6	853F497	Stop	Yes
7	684F559	Stop, Fixed	Yes
8	813F505	Hub, Turnpiece Standard	Yes
9	864F107	Latchbolt Sub-Assembly, Standard	Yes
10	702F987	Deadbolt, Standard	Yes
11	701F228	Spring, Deadbolt	Yes
12	624F488	Lever, Deadlocking	Yes
13	700F907	Spring, Deadlocking Spring	Yes
14	403F677	Latch, Auxiliary	Yes
15	678F548	Lever, Auxiliary	Yes
16	678F677	Spring, Auxiliary Lever	Yes
17	820F148	Lever, Hub Assembly With Hook	Yes
20	820F048	Spring, Hub Lever	Yes
21	701F748	Lever, Cylinder Latch Lever	Yes
23	436F177	Ring, Retaining	Yes
□ 28	466F229	Spacer, Square	Yes
□ 29	404F858	Spring, Lever Return	Yes
30	402F738	Bracket, Cylinder Set Screw	Yes
31	404F868	Bracket, Align	Yes
34	684F188	Screw, FHUM-PH-TITE #8-32 x 3/8"	Yes
△ 35	684F119 853F089	Spacer, Hub Lever Knob	Yes
□ 36	684F129	Spacer, Clock Spring	Yes
37	684F067	Screw, Stop	Yes
44	700F957	Spring, Cylinder Latch Lever	Yes
See page 53	402F30 FIN*	Armored Front	Yes
See page 52	236L72018	Std. Strike	Yes
See page 75	429F41 FIN*	Mortise Lock Mounting Packet	Yes

\*Specify finish

The warranty on Corbin Russwin products becomes void if the product is modified in any way, regardless of whether the modifications causes or contributes to any alleged defect. If a Corbin Russwin product is modified it may no longer meet industry certification and quality control standards applicable to the original product and is no longer a genuine Corbin Russwin product.

Copyright © 2000-2023, ASSA ABLOY Access and Egress Hardware Group, Inc. All rights reserved. Reproduction in whole or in part without the express written permission of ASSA ABLOY Access and Egress Hardware Group, Inc. is prohibited. Patent pending and/or patent [www.assaabloydss.com/patents](http://www.assaabloydss.com/patents).

**Hotel or Motel, Security Storeroom or Closet**



- Parts common to both lever and knob trim designs.
- Parts for lever trim designs only.
- △ Lever and knob trim designs utilize different part numbers. See table.

The warranty on Corbin Russwin products becomes void if the product is modified in any way, regardless of whether the modifications causes or contributes to any alleged defect. If a Corbin Russwin product is modified it may no longer meet industry certification and quality control standards applicable to the original product and is no longer a genuine Corbin Russwin product.

Copyright © 2000-2023, ASSA ABLOY Access and Egress Hardware Group, Inc. All rights reserved. Reproduction in whole or in part without the express written permission of ASSA ABLOY Access and Egress Hardware Group, Inc. is prohibited. Patent pending and/or patent [www.assaabloydss.com/patents](http://www.assaabloydss.com/patents).

## Privacy, Bedroom or Bathroom, Intruder Deadbolt, Dormitory or Entrance

ITEM NO.	PART NUMBER	DESCRIPTION	SELLABLE
1	820F268	Case & Front SA, Standard	No
2	700F278	Cap, Case Standard	No
3	700F708	Lever, Stop	Yes
△ 4	820F068 853F068	Hub (Cap Side) Lever Knob	Yes
△ 5	820F078 853F078	Hub (Case Side) Lever Knob	Yes
6	853F497	Stop	Yes
8	813F505	Hub, Turnpiece Standard	Yes
9	864F107	Latchbolt Sub-Assembly, Standard	Yes
10	702F987	Deadbolt, Standard	Yes
11	701F228	Spring, Deadbolt	Yes
17	820F148	Lever, Hub Assembly With Hook	Yes
20	820F048	Spring, Hub Lever	Yes
21	701F748	Lever, Cylinder Latch Lever	Yes
□ 28	466F229	Spacer, Square	Yes
□ 29	404F858	Spring, Lever Return	Yes
30	402F738	Bracket, Cylinder Set Screw	Yes
31	404F868	Bracket, Align	Yes
34	684F188	Screw, FHUM-PH-TITE #8-32 x 3/8"	Yes
△ 35	684F119 853F089	Spacer, Hub Lever Knob	Yes
□ 36	684F129	Spacer, Lever Return Spring	Yes
37	684F067	Screw, Stop	Yes
44	700F957	Spring, Cylinder Latch Lever	Yes
See page 53	423F54 FIN*	Armored Front	Yes
See page 52	236L72018	Std. Strike	Yes
See page 75	429F41 FIN*	Mortise Lock Mounting Packet  NOTE: For double cylinder functions an additional cylinder set screw is required.	Yes
	488F088	Cylinder Set Screw	

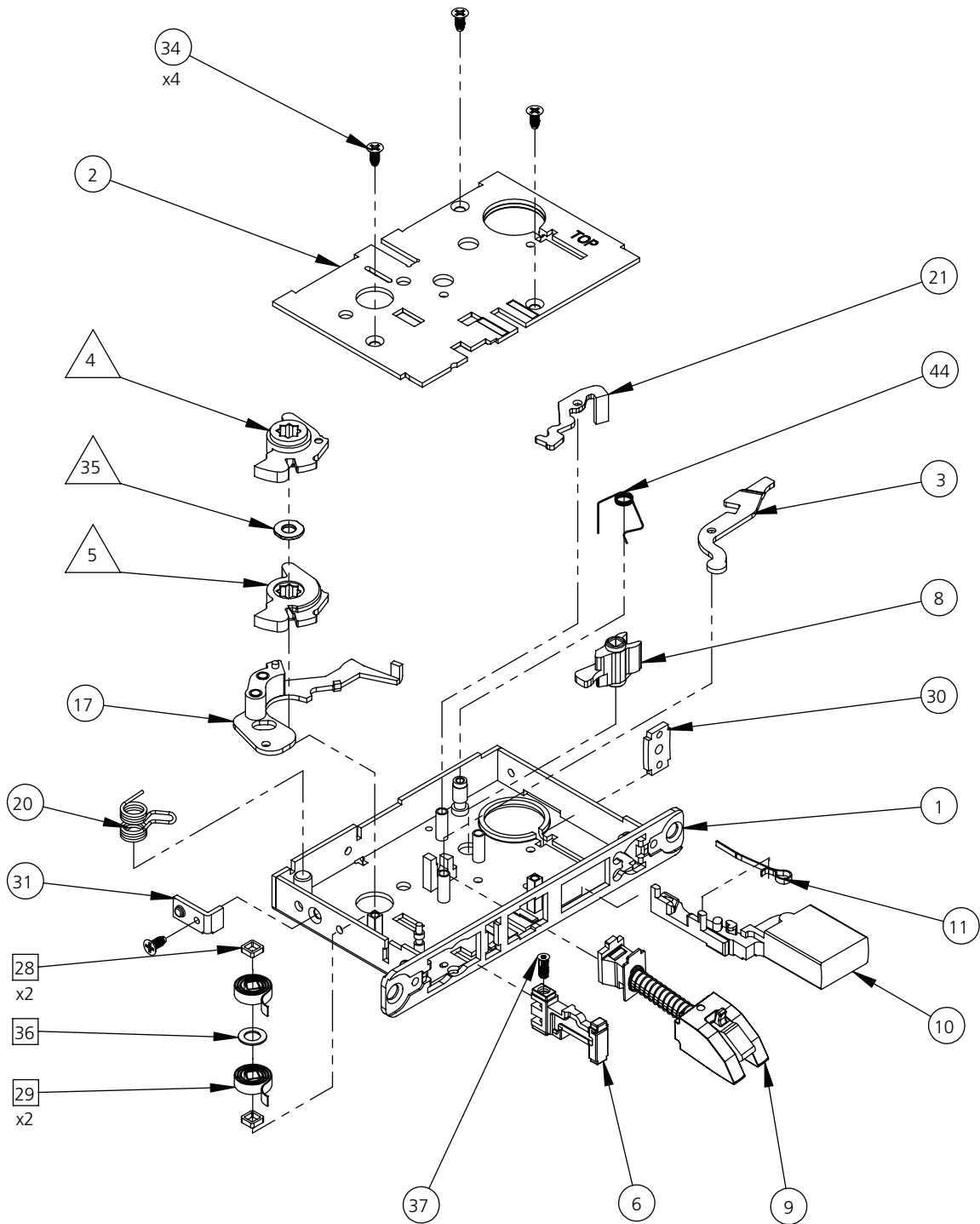
\*Specify finish

The warranty on Corbin Russwin products becomes void if the product is modified in any way, regardless of whether the modifications causes or contributes to any alleged defect. If a Corbin Russwin product is modified it may no longer meet industry certification and quality control standards applicable to the original product and is no longer a genuine Corbin Russwin product.

Copyright © 2000-2023, ASSA ABLOY Access and Egress Hardware Group, Inc. All rights reserved. Reproduction in whole or in part without the express written permission of ASSA ABLOY Access and Egress Hardware Group, Inc. is prohibited. Patent pending and/or patent [www.assaabloydss.com/patents](http://www.assaabloydss.com/patents).



**Privacy, Bedroom or Bathroom, Intruder Deadbolt, Dormitory or Entrance**



- Parts common to both lever and knob trim designs.
- Parts for lever trim designs only.
- △ Lever and knob trim designs utilize different part numbers. See table.

The warranty on Corbin Russwin products becomes void if the product is modified in any way, regardless of whether the modifications causes or contributes to any alleged defect. If a Corbin Russwin product is modified it may no longer meet industry certification and quality control standards applicable to the original product and is no longer a genuine Corbin Russwin product.

Copyright © 2000-2023, ASSA ABLOY Access and Egress Hardware Group, Inc. All rights reserved. Reproduction in whole or in part without the express written permission of ASSA ABLOY Access and Egress Hardware Group, Inc. is prohibited. Patent pending and/or patent [www.assaabloydss.com/patents](http://www.assaabloydss.com/patents).

## Institution or Utility

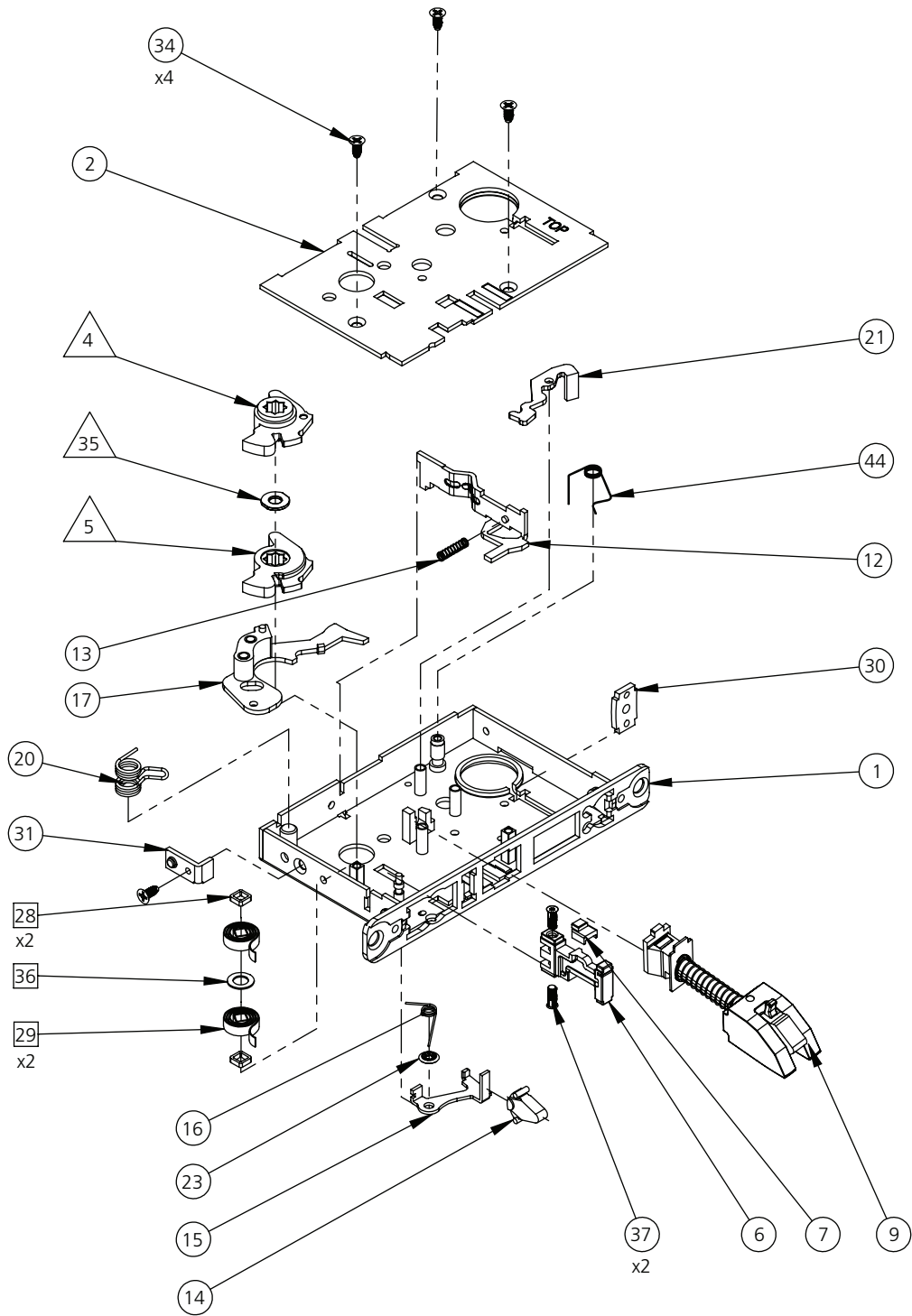
ITEM NO.	PART NUMBER	DESCRIPTION	SELLABLE
1	820F268	Case & Front SA, Standard	No
2	700F278	Cap, Case Standard	No
△ 4	820F068 853F068	Hub (Cap Side) Lever Knob	Yes
△ 5	820F078 853F078	Hub (Case Side) Lever Knob	Yes
6	853F497	Stop	Yes
7	684F559	Stop, Fixed	Yes
9	864F107	Latchbolt Sub-Assembly, Standard	Yes
12	624F488	Lever, Deadlocking	Yes
13	700F907	Spring, Deadlocking Spring	Yes
14	403F677	Latch, Auxiliary	Yes
15	678F548	Lever, Auxiliary	Yes
16	678F677	Spring, Auxiliary Lever	Yes
17	820F008	Lever, Hub Assembly	Yes
20	820F048	Spring, Hub Lever	Yes
21	701F748	Lever, Cylinder Latch Lever	Yes
23	436F177	Ring, Retaining	Yes
□ 28	466F229	Spacer, Square	Yes
□ 29	404F858	Spring, Lever Return	Yes
30	402F738	Bracket, Cylinder Set Screw	Yes
31	404F868	Bracket, Align	Yes
34	684F188	Screw, FHUM-PH-TITE #8-32 x 3/8"	Yes
△ 35	684F119 853F089	Spacer, Hub Lever Knob	Yes
□ 36	684F129	Spacer, Lever Return Spring	Yes
37	684F067	Screw, Stop	Yes
44	700F957	Spring, Cylinder Latch Lever	Yes
See page 53	624F49 FIN*	Armored Front For Standard	Yes
See page 52	236L72018	Std. Strike	Yes
See page 75	429F41 FIN* 488F088	Mortise Lock Mounting Packet  NOTE: For double cylinder functions an additional cylinder set screw is required.  Cylinder Set Screw	Yes

\*Specify finish

The warranty on Corbin Russwin products becomes void if the product is modified in any way, regardless of whether the modifications causes or contributes to any alleged defect. If a Corbin Russwin product is modified it may no longer meet industry certification and quality control standards applicable to the original product and is no longer a genuine Corbin Russwin product.

Copyright © 2000-2023, ASSA ABLOY Access and Egress Hardware Group, Inc. All rights reserved. Reproduction in whole or in part without the express written permission of ASSA ABLOY Access and Egress Hardware Group, Inc. is prohibited. Patent pending and/or patent [www.assaabloydss.com/patents](http://www.assaabloydss.com/patents).

Institution or Utility



- Parts common to both lever and knob trim designs.
- Parts for lever trim designs only.
- △ Lever and knob trim designs utilize different part numbers. See table.

The warranty on Corbin Russwin products becomes void if the product is modified in any way, regardless of whether the modifications causes or contributes to any alleged defect. If a Corbin Russwin product is modified it may no longer meet industry certification and quality control standards applicable to the original product and is no longer a genuine Corbin Russwin product.

Copyright © 2000-2023, ASSA ABLOY Access and Egress Hardware Group, Inc. All rights reserved. Reproduction in whole or in part without the express written permission of ASSA ABLOY Access and Egress Hardware Group, Inc. is prohibited. Patent pending and/or patent [www.assaabloydss.com/patents](http://www.assaabloydss.com/patents).

## Passage with Indicator

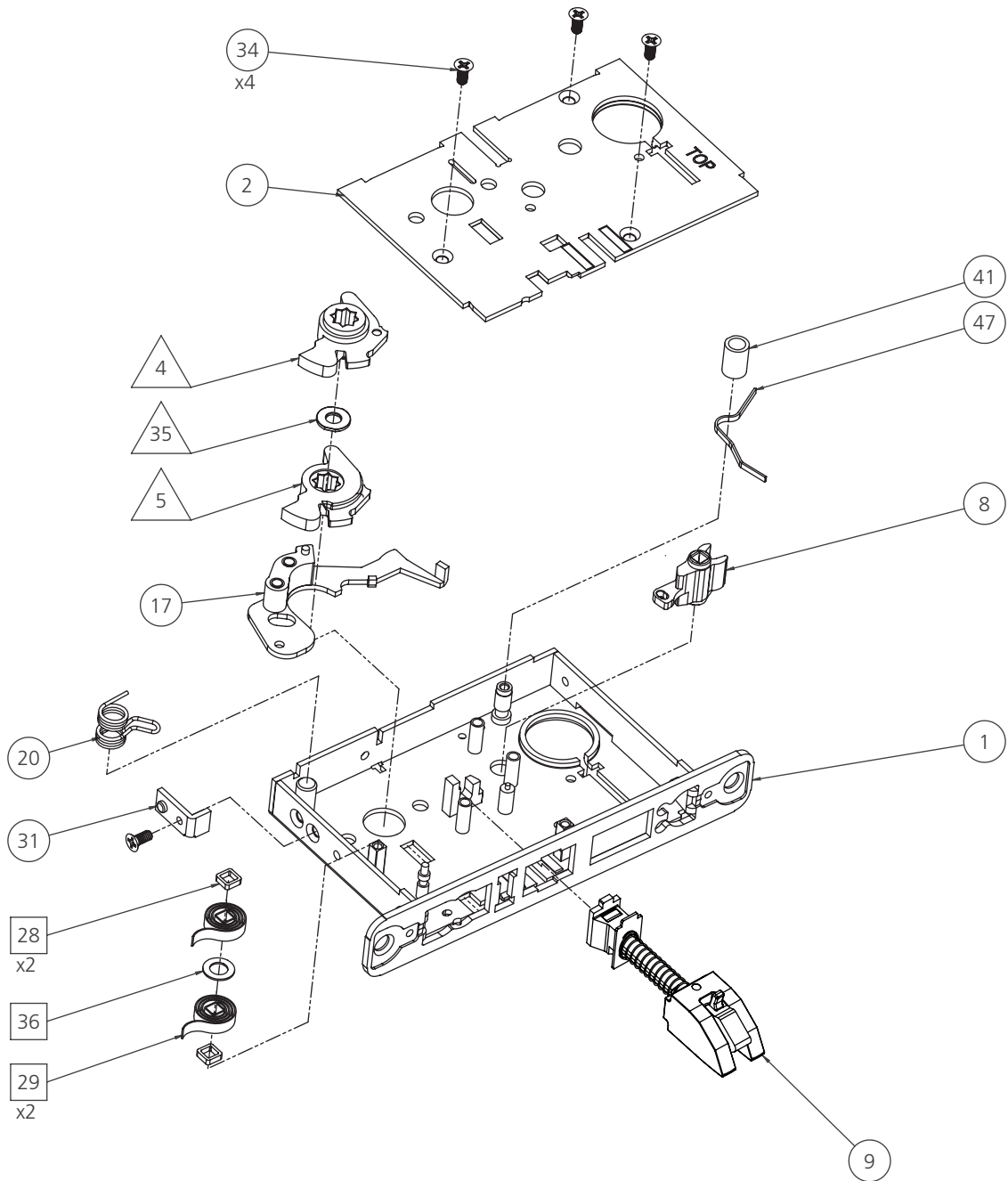
ITEM NO.	PART NUMBER	DESCRIPTION	SELLABLE
1	820F268	Case & Front SA, Func. 60/68	No
2	700F278	Cap, Case Standard	No
△ 4	820F068	Hub (Cap Side) Lever	Yes
	853F068	Knob	
△ 5	820F078	Hub (Case Side) Lever	Yes
	853F078	Knob	
8	813F505	Hub, Turnpiece Func. 60/68	Yes
9	864F107	Latchbolt Sub-Assembly, Standard	Yes
17	820F148	Lever, Hub Assembly With Hook	Yes
20	820F048	Spring, Hub Lever	Yes
□ 28	466F229	Spacer, Square	Yes
□ 29	404F858	Spring, Lever Return	Yes
31	404F868	Bracket, Align	Yes
34	684F188	Screw, FHUM-PH-TITE #8-32 x 3/8"	Yes
△ 35	684F119	Spacer, Hub Lever	Yes
	853F089	Knob	
□ 36	684F129	Spacer, Lever Return Spring	Yes
41	624F439	Spacer, Tall	Yes
47	864F147	Spring, Turn-Piece Hub	Yes
See page 53	423F55 FIN*	Armored Front	Yes
See page 52	236L72018	Std. Strike	Yes
See page 75	429F41 FIN*	Mortise Lock Mounting Packet	Yes

\*Specify finish

The warranty on Corbin Russwin products becomes void if the product is modified in any way, regardless of whether the modifications causes or contributes to any alleged defect. If a Corbin Russwin product is modified it may no longer meet industry certification and quality control standards applicable to the original product and is no longer a genuine Corbin Russwin product.

Copyright © 2000-2023, ASSA ABLOY Access and Egress Hardware Group, Inc. All rights reserved. Reproduction in whole or in part without the express written permission of ASSA ABLOY Access and Egress Hardware Group, Inc. is prohibited. Patent pending and/or patent [www.assaabloydss.com/patents](http://www.assaabloydss.com/patents).

Passage with Indicator



The warranty on Corbin Russwin products becomes void if the product is modified in any way, regardless of whether the modifications causes or contributes to any alleged defect. If a Corbin Russwin product is modified it may no longer meet industry certification and quality control standards applicable to the original product and is no longer a genuine Corbin Russwin product.

Copyright © 2000-2023, ASSA ABLOY Access and Egress Hardware Group, Inc. All rights reserved. Reproduction in whole or in part without the express written permission of ASSA ABLOY Access and Egress Hardware Group, Inc. is prohibited. Patent pending and/or patent [www.assaabloydss.com/patents](http://www.assaabloydss.com/patents).

**Entrance or Public Restroom, Classroom Intruder, Entrance or Office, Classroom Multi-Function Lock**

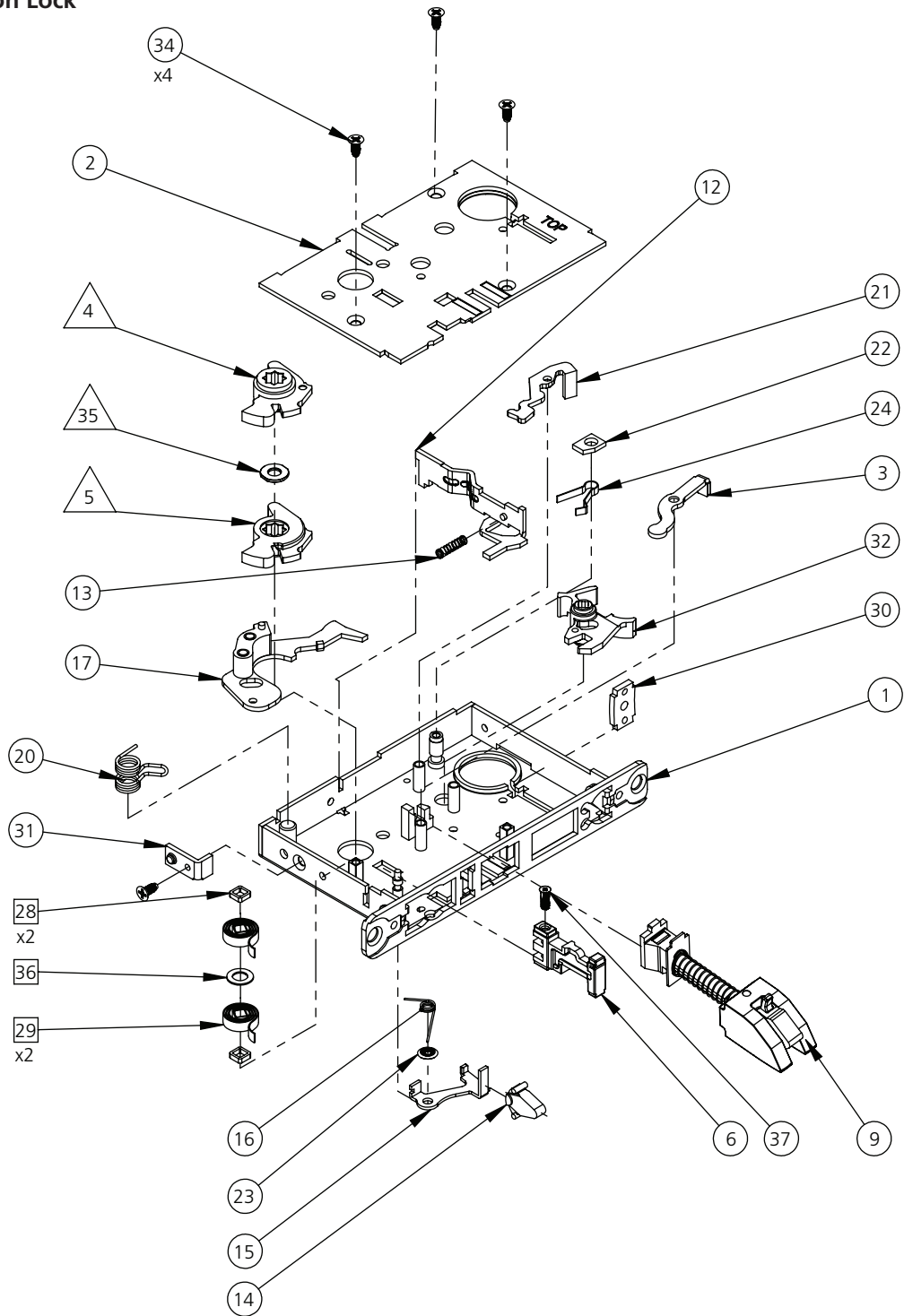
ITEM NO.	PART NUMBER	DESCRIPTION	SELLABLE
1	820F268	Case & Front SA, Standard	No
2	700F278	Cap, Case Standard	No
3	681F448	Lever, Stop	Yes
△ 4	820F068	Hub (Cap Side) Lever	Yes
	853F068	Knob	
△ 5	820F078	Hub (Case Side) Lever	Yes
	853F078	Knob	
6	853F497	Stop	Yes
9	864F107	Latchbolt Sub-Assembly, Standard	Yes
12	624F488	Lever, Deadlocking	Yes
13	700F907	Spring, Deadlocking Spring	Yes
14	403F677	Latch, Auxiliary	Yes
15	678F548	Lever, Auxiliary	Yes
16	678F677	Spring, Auxiliary Lever	Yes
17	820F008	Lever, Hub Assembly	Yes
20	820F048	Spring, Hub Lever	Yes
21	701F748	Lever, Cylinder Latch Lever	Yes
22	705F949	Stop, Cylinder Latch Lever	Yes
23	436F177	Ring, Retaining	Yes
24	685F387	Spring, Stop	Yes
28	466F229	Spacer, Square	Yes
□ 29	404F858	Spring, Lever Return	Yes
□ 30	402F738	Bracket, Cylinder Set Screw	Yes
31	404F868	Bracket, Align	Yes
32	701F705	Hub, Turnpiece Large	Yes
34	684F188	Screw, FHUM-PH-TITE #8-32 x 3/8"	Yes
△ 35	684F119	Spacer, Hub Lever	Yes
	853F089	Knob	
□ 36	684F129	Spacer, Lever Return Spring	Yes
37	684F067	Screw, Stop	Yes
See page 53	624F49 FIN*	Armored Front	Yes
See page 52	236L72018	Std. Strike	Yes
See page 75	429F41 FIN*	Mortise Lock Mounting Packet  NOTE: For double cylinder functions an additional cylinder set screw is required.	Yes
	488F088	Cylinder Set Screw	

\*Specify finish

The warranty on Corbin Russwin products becomes void if the product is modified in any way, regardless of whether the modifications causes or contributes to any alleged defect. If a Corbin Russwin product is modified it may no longer meet industry certification and quality control standards applicable to the original product and is no longer a genuine Corbin Russwin product.

Copyright © 2000-2023, ASSA ABLOY Access and Egress Hardware Group, Inc. All rights reserved. Reproduction in whole or in part without the express written permission of ASSA ABLOY Access and Egress Hardware Group, Inc. is prohibited. Patent pending and/or patent [www.assaabloydss.com/patents](http://www.assaabloydss.com/patents).

**Entrance or Public Restroom, Classroom Intruder, Entrance or Office, Classroom  
Multi-Function Lock**



- Parts common to both lever and knob trim designs.
- Parts for lever trim designs only.
- △ Lever and knob trim designs utilize different part numbers. See table.

The warranty on Corbin Russwin products becomes void if the product is modified in any way, regardless of whether the modifications causes or contributes to any alleged defect. If a Corbin Russwin product is modified it may no longer meet industry certification and quality control standards applicable to the original product and is no longer a genuine Corbin Russwin product.

Copyright © 2000-2023, ASSA ABLOY Access and Egress Hardware Group, Inc. All rights reserved. Reproduction in whole or in part without the express written permission of ASSA ABLOY Access and Egress Hardware Group, Inc. is prohibited. Patent pending and/or patent [www.assaabloydss.com/patents](http://www.assaabloydss.com/patents).

## Entrance or Apartment

ITEM NO.	PART NUMBER	DESCRIPTION	SELLABLE
1	820F268	Case & Front SA, Standard	No
2	700F278	Cap, Case Standard	No
△ 4	820F068	Hub (Cap Side) Lever	Yes
	853F068	Knob	
△ 5	820F078	Hub (Case Side) Lever	Yes
	853F078	Knob	
6	853F497	Stop	Yes
8	813F505	Hub, Turnpiece Standard	Yes
9	864F107	Latchbolt Sub-Assembly, Standard	Yes
10	702F987	Deadbolt, Standard	Yes
11	701F228	Spring, Deadbolt	Yes
17	820F008	Lever, Hub Assembly	Yes
20	820F048	Spring, Hub Lever	Yes
21	701F748	Lever, Cylinder Latch Lever	Yes
25	851F617	Toggle	Yes
26	857F478	Spring, Toggle	Yes
□ 28	466F229	Spacer, Square	Yes
□ 29	404F858	Spring, Lever Return	Yes
30	402F738	Bracket, Cylinder Set Screw	Yes
31	404F868	Bracket, Align	Yes
34	684F188	Screw, FHUM-PH-TITE #8-32 x 3/8"	Yes
△ 35	684F119	Spacer, Hub Lever	Yes
	853F089	Knob	
□ 36	684F129	Spacer, Lever Return Spring	Yes
37	684F067	Screw, Stop	Yes
44	700F957	Spring, Cylinder Latch Lever	Yes
See page 53	402F31 FIN*	Armored Front	Yes
See page 52	236L72018	Std. Strike	Yes
See page 75	429F41 FIN*	Mortise Lock Mounting Packet	Yes

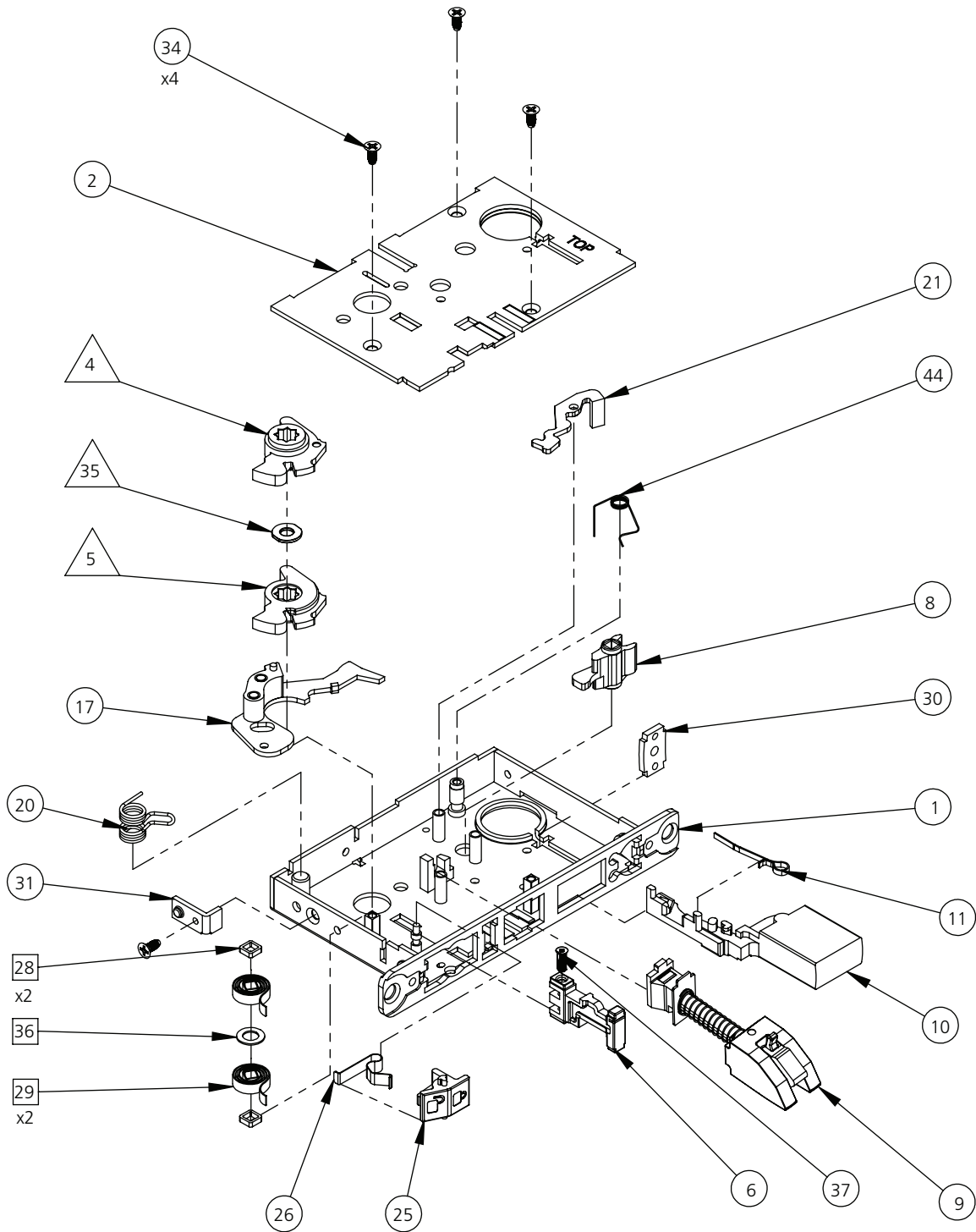
\*Specify finish

The warranty on Corbin Russwin products becomes void if the product is modified in any way, regardless of whether the modifications causes or contributes to any alleged defect. If a Corbin Russwin product is modified it may no longer meet industry certification and quality control standards applicable to the original product and is no longer a genuine Corbin Russwin product.

Copyright © 2000-2023, ASSA ABLOY Access and Egress Hardware Group, Inc. All rights reserved. Reproduction in whole or in part without the express written permission of ASSA ABLOY Access and Egress Hardware Group, Inc. is prohibited. Patent pending and/or patent [www.assaabloydss.com/patents](http://www.assaabloydss.com/patents).



Entrance or Apartment



- Parts common to both lever and knob trim designs.
- Parts for lever trim designs only.
- △ Lever and knob trim designs utilize different part numbers. See table.

The warranty on Corbin Russwin products becomes void if the product is modified in any way, regardless of whether the modifications causes or contributes to any alleged defect. If a Corbin Russwin product is modified it may no longer meet industry certification and quality control standards applicable to the original product and is no longer a genuine Corbin Russwin product.

Copyright © 2000-2023, ASSA ABLOY Access and Egress Hardware Group, Inc. All rights reserved. Reproduction in whole or in part without the express written permission of ASSA ABLOY Access and Egress Hardware Group, Inc. is prohibited. Patent pending and/or patent [www.assaabloydss.com/patents](http://www.assaabloydss.com/patents).

## Entrance or Office

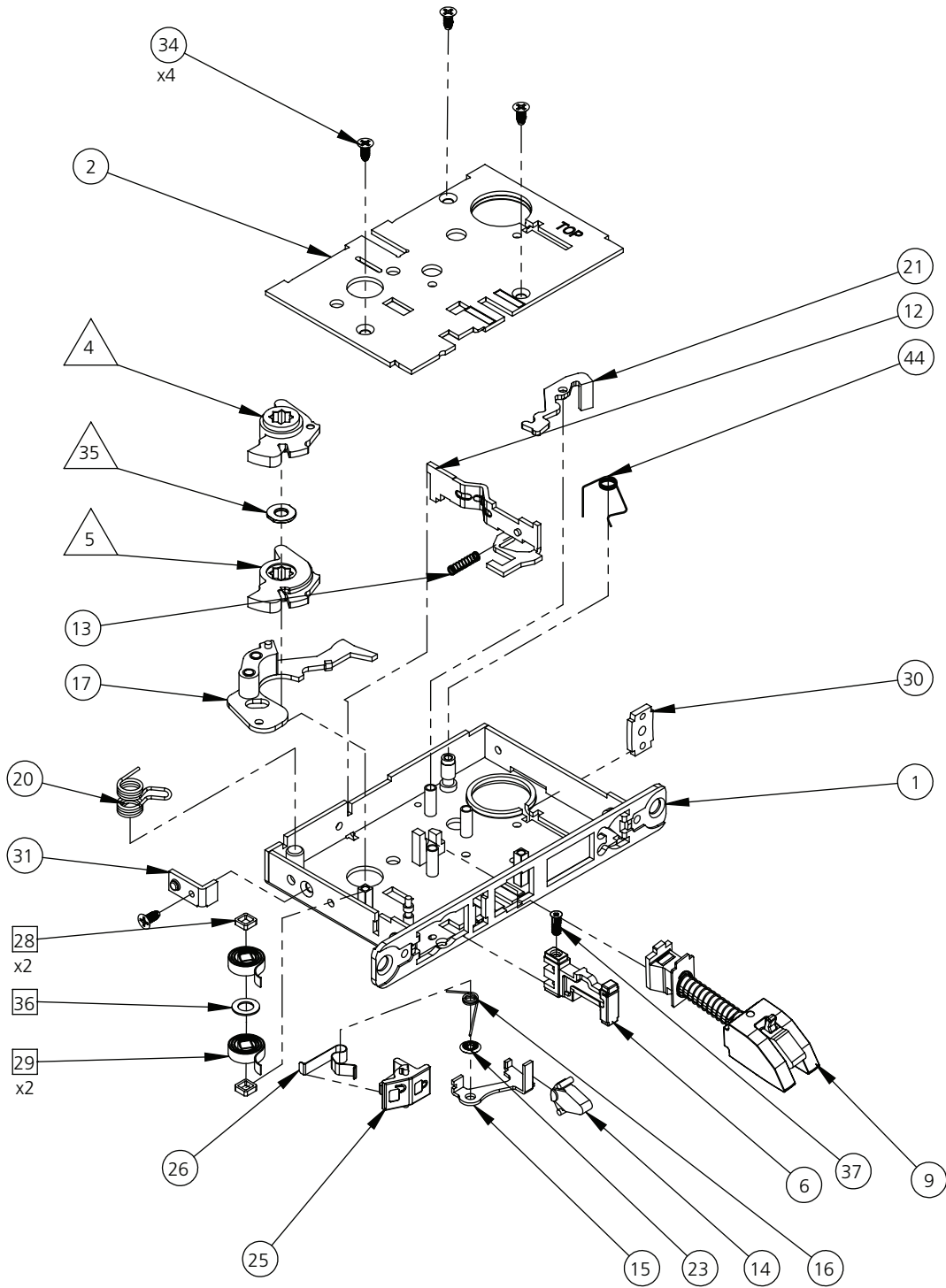
ITEM NO.	PART NUMBER	DESCRIPTION	SELLABLE
1	820F268	Case & Front SA, Standard	No
2	700F278	Cap, Case Standard	No
△ 4	820F068 853F068	Hub (Cap Side) Lever Knob	Yes
△ 5	820F078 853F078	Hub (Case Side) Lever Knob	Yes
6	853F497	Stop	Yes
9	864F107	Latchbolt Sub-Assembly, Standard	Yes
12	602F198	Lever, Deadlocking	Yes
13	700F907	Spring, Deadlocking Spring	Yes
14	403F677	Latch, Axuiliary	Yes
15	678F548	Lever, Auxiliary	Yes
16	678F677	Spring, Auxiliary Lever	Yes
17	820F008	Lever, Hub Assembly	Yes
20	820F048	Spring, Hub Lever	Yes
21	701F748	Lever, Cylinder Latch Lever	Yes
23	436F177	Ring, Retaining	Yes
25	851F617	Toggle	Yes
26	857F478	Spring, Toggle	Yes
□ 28	466F229	Spacer, Square	Yes
□ 29	404F858	Spring, Lever Return	Yes
31	404F868	Bracket, Align	Yes
30	402F738	Bracket, Cylinder Set Screw	Yes
34	684F188	Screw, FHUM-PH-TITE #8-32 x 3/8"	Yes
△ 35	684F119 853F089	Spacer, Hub Lever Knob	Yes
□ 36	684F129	Spacer, Lever Return Spring	Yes
37	684F067	Screw, Stop	Yes
44	700F957	Spring, Cylinder Latch Lever	Yes
See page 53	681F31 FIN*	Armored Front	Yes
See page 52	236L72018	Std. Strike	Yes
See page 75	429F41 FIN*	Mortise Lock Mounting Packet	Yes

\*Specify finish

The warranty on Corbin Russwin products becomes void if the product is modified in any way, regardless of whether the modifications causes or contributes to any alleged defect. If a Corbin Russwin product is modified it may no longer meet industry certification and quality control standards applicable to the original product and is no longer a genuine Corbin Russwin product.

Copyright © 2000-2023, ASSA ABLOY Access and Egress Hardware Group, Inc. All rights reserved. Reproduction in whole or in part without the express written permission of ASSA ABLOY Access and Egress Hardware Group, Inc. is prohibited. Patent pending and/or patent [www.assaabloydss.com/patents](http://www.assaabloydss.com/patents).

Entrance or Office



- Parts common to both lever and knob trim designs.
- Parts for lever trim designs only.
- △ Lever and knob trim designs utilize different part numbers. See table.

The warranty on Corbin Russwin products becomes void if the product is modified in any way, regardless of whether the modifications causes or contribute Corbin Russwin product is modified it may no longer meet industry certification and quality control standards applicable to the original product and is no lo

Copyright © 2000-2023, ASSA ABLOY Access and Egress Hardware Group, Inc. All rights reserved. Reproduction in whole or in part without the express written permission of ASSA ABLOY Access and Egress Hardware Group, Inc. is prohibited. Patent pending and/or patent [www.assaabloydss.com/patents](http://www.assaabloydss.com/patents).

## Classroom Holdback, Entrance or Office Holdback

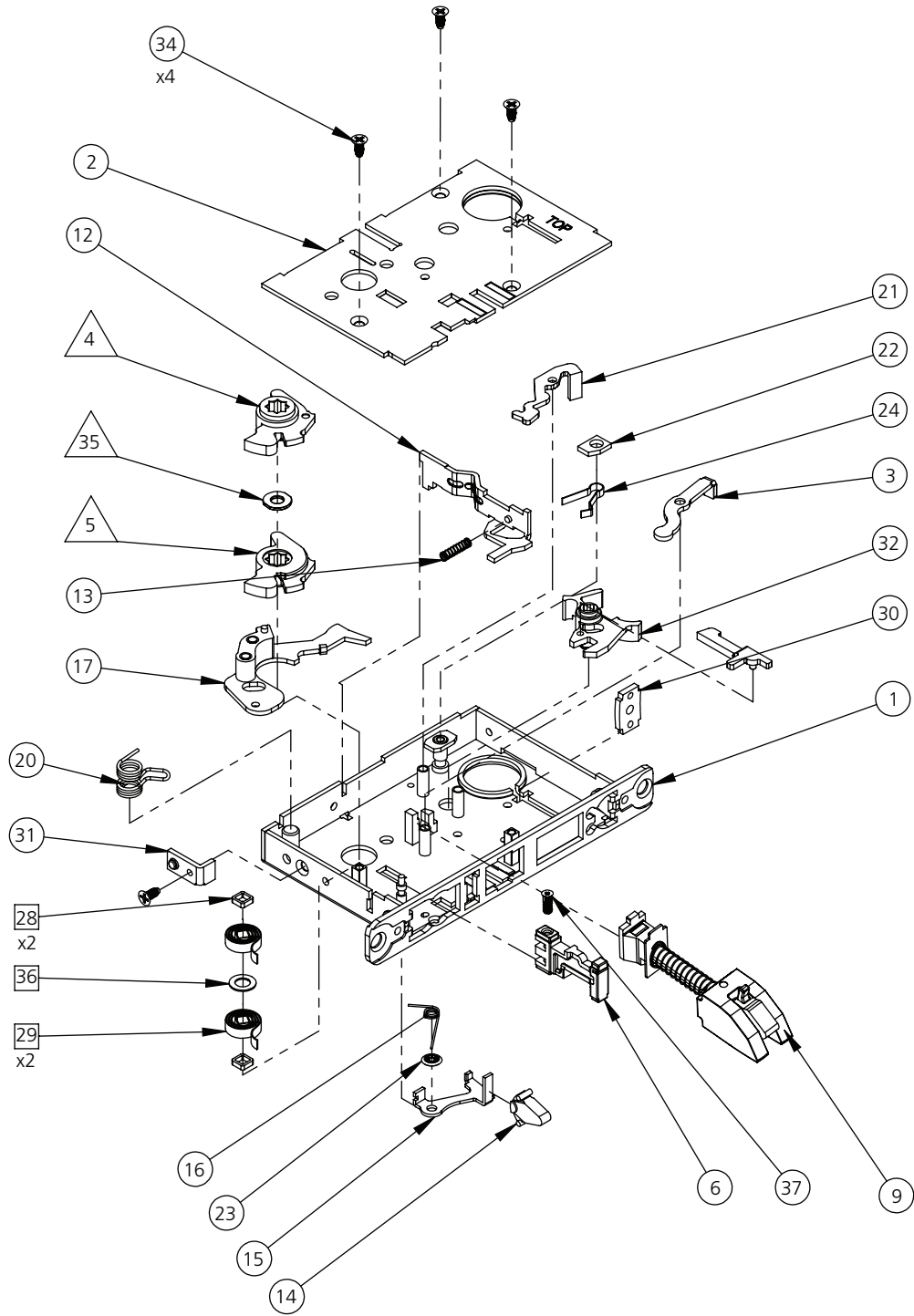
ITEM NO.	PART NUMBER	DESCRIPTION	SELLABLE
1	820F268	Case & Front SA, Standard	No
2	700F278	Cap, Case Standard	No
3	681F448	Lever, Stop	Yes
△	820F068	Hub (Cap Side) Lever	Yes
	853F068	Knob	
△	820F078	Hub (Case Side) Lever	Yes
	853F078	Knob	
6	853F497	Stop	Yes
9	864F107	Latchbolt Sub-Assembly, Standard	Yes
12	624F488	Lever, Deadlocking	Yes
13	700F907	Spring, Deadlocking Spring	Yes
14	403F677	Latch, Auxiliary	Yes
15	678F548	Lever, Auxiliary	Yes
16	678F677	Spring, Auxiliary Lever	Yes
17	820F008	Lever, Hub Assembly	Yes
20	820F048	Spring, Hub Lever	Yes
21	701F748	Lever, Cylinder Latch Lever	Yes
22	705F949	Stop, Cylinder Latch Lever	Yes
23	436F177	Ring, Retaining	Yes
24	685F387	Spring, Stop	Yes
□	466F229	Spacer, Square	Yes
□	404F858	Spring, Lever Return	Yes
30	402F738	Bracket, Cylinder Set Screw	Yes
31	404F868	Bracket, Align	Yes
32	701F705	Hub, Turnpiece Large	Yes
34	684F188	Screw, FHUM-PH-TITE #8-32 x 3/8"	Yes
△	684F119	Spacer, Hub Lever	Yes
	853F089	Knob	
□	684F129	Spacer, Lever Return Spring	Yes
37	684F067	Screw, Stop	Yes
39	701F565	Lever, Latch Hold Back	Yes
See page 53	681F34 FIN*	Armored Front	Yes
See page 52	236L72018	Std. Strike	Yes
See page 75	429F41 FIN*	Mortise Lock Mounting Packet	Yes

\*Specify finish

The warranty on Corbin Russwin products becomes void if the product is modified in any way, regardless of whether the modifications causes or contributes to any alleged defect. If a Corbin Russwin product is modified it may no longer meet industry certification and quality control standards applicable to the original product and is no longer a genuine Corbin Russwin product.

Copyright © 2000-2023, ASSA ABLOY Access and Egress Hardware Group, Inc. All rights reserved. Reproduction in whole or in part without the express written permission of ASSA ABLOY Access and Egress Hardware Group, Inc. is prohibited. Patent pending and/or patent [www.assaabloydss.com/patents](http://www.assaabloydss.com/patents).

**Classroom Holdback, Entrance or Office Holdback**



- Parts common to both lever and knob trim designs.
- Parts for lever trim designs only.
- △ Lever and knob trim designs utilize different part numbers. See table.

The warranty on Corbin Russwin products becomes void if the product is modified in any way, regardless of whether the modifications causes or contributes to any alleged defect. If a Corbin Russwin product is modified it may no longer meet industry certification and quality control standards applicable to the original product and is no longer a genuine Corbin Russwin product.

Copyright © 2000-2023, ASSA ABLOY Access and Egress Hardware Group, Inc. All rights reserved. Reproduction in whole or in part without the express written permission of ASSA ABLOY Access and Egress Hardware Group, Inc. is prohibited. Patent pending and/or patent [www.assaabloydss.com/patents](http://www.assaabloydss.com/patents).

## Storeroom or Closet

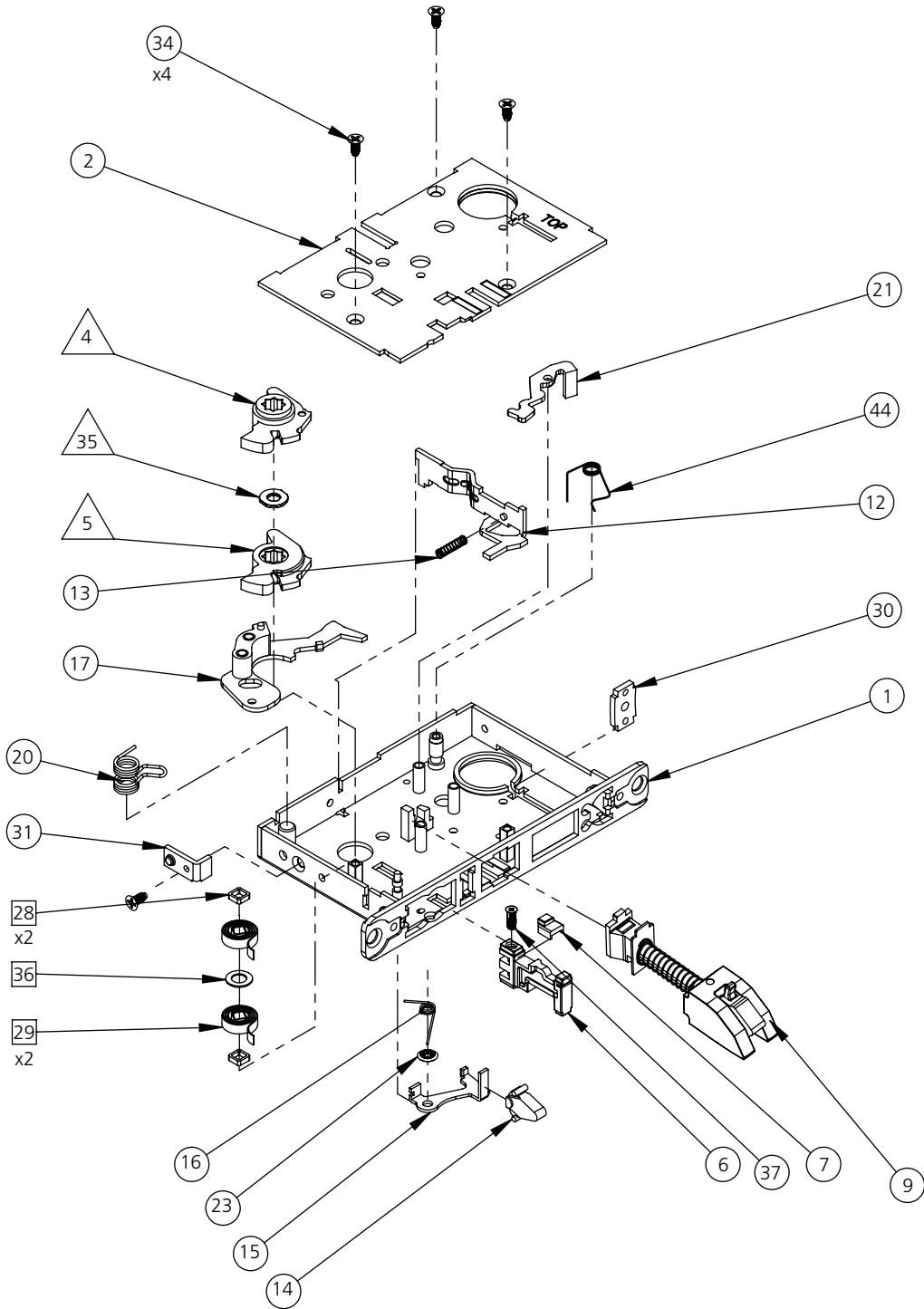
ITEM NO.	PART NUMBER	DESCRIPTION	SELLABLE
1	820F268	Case & Front SA, Standard	No
2	700F278	Cap, Case Standard	No
△ 4	820F068 853F068	Hub (Cap Side) Lever Knob	Yes
△ 5	820F078 853F078	Hub (Case Side) Lever Knob	Yes
6	853F497	Stop	Yes
7	684F559	Stop, Fixed	Yes
9	864F107	Latchbolt Sub-Assembly, Standard	Yes
12	624F488	Lever, Deadlocking	Yes
13	700F907	Spring, Deadlocking Spring	Yes
14	403F677	Latch, Auxiliary	Yes
15	678F548	Lever, Auxiliary	Yes
16	678F677	Spring, Auxiliary Lever	Yes
17	820F008	Lever, Hub Assembly	Yes
20	820F048	Spring, Hub Lever	Yes
21	701F748	Lever, Cylinder Latch Lever	Yes
□ 28	466F229	Spacer, Square	Yes
□ 29	404F858	Spring, Lever Return	Yes
23	436F177	Ring, Retaining	Yes
30	402F738	Bracket, Cylinder Set Screw	Yes
31	404F868	Bracket, Align	Yes
34	684F188	Screw, FHUM-PH-TITE #8-32 x 3/8"	Yes
△ 35	684F119 853F089	Spacer, Hub Lever Knob	Yes
□ 36	684F129	Spacer, Lever Return Spring	Yes
37	684F067	Screw, Stop	Yes
44	700F957	Spring, Cylinder Latch Lever	Yes
See page 53	624F49 FIN*	Armored Front	Yes
See page 52	236L72018	Std. Strike	Yes
See page 75	429F41 FIN*	Mortise Lock Mounting Packet	Yes

\*Specify finish

The warranty on Corbin Russwin products becomes void if the product is modified in any way, regardless of whether the modifications causes or contributes to any alleged defect. If a Corbin Russwin product is modified it may no longer meet industry certification and quality control standards applicable to the original product and is no longer a genuine Corbin Russwin product.

Copyright © 2000-2023, ASSA ABLOY Access and Egress Hardware Group, Inc. All rights reserved. Reproduction in whole or in part without the express written permission of ASSA ABLOY Access and Egress Hardware Group, Inc. is prohibited. Patent pending and/or patent [www.assaabloydss.com/patents](http://www.assaabloydss.com/patents).

Storeroom or Closet



- Parts common to both lever and knob trim designs.
- Parts for lever trim designs only.
- △ Lever and knob trim designs utilize different part numbers. See table.

The warranty on Corbin Russwin products becomes void if the product is modified in any way, regardless of whether the modifications causes or contributes to any alleged defect. If a Corbin Russwin product is modified it may no longer meet industry certification and quality control standards applicable to the original product and is no longer a genuine Corbin Russwin product.

Copyright © 2000-2023, ASSA ABLOY Access and Egress Hardware Group, Inc. All rights reserved. Reproduction in whole or in part without the express written permission of ASSA ABLOY Access and Egress Hardware Group, Inc. is prohibited. Patent pending and/or patent [www.assaabloydss.com/patents](http://www.assaabloydss.com/patents).

## Privacy

ITEM NO.	PART NUMBER	DESCRIPTION	SELLABLE
1	820F288	Case & Front SA, Func. 60/68	No
2	700F278	Cap, Case Standard	No
3	702F598	Lever, Stop	Yes
△ 4	820F068 853F068	Hub (Cap Side) Lever Knob	Yes
△ 5	820F078 853F078	Hub (Case Side) Lever Knob	Yes
6	853F497	Stop	Yes
8	813F505	Hub, Turnpiece Func. 60/68	Yes
9	864F107	Latchbolt Sub-Assembly, Standard	Yes
17	820F148	Lever, Hub Assembly With Hook	Yes
20	820F048	Spring, Hub Lever	Yes
□ 28	466F229	Spacer, Square	Yes
□ 29	404F858	Spring, Lever Return	Yes
31	404F868	Bracket, Align	Yes
34	684F188	Screw, FHUM-PH-TITE #8-32 x 3/8"	Yes
△ 35	684F119 853F089	Spacer, Hub Lever Knob	Yes
□ 36	684F129	Spacer, Lever Return Spring	Yes
37	684F067	Screw, Stop	Yes
41	624F439	Spacer, Tall	Yes
42	624F449	Spacer, Func. 60/69	Yes
43	688F017	Spring, Kick-Off	Yes
47	863F147	Spring, Turn-Piece Hub	Yes
See page 53	423F55 FIN*	Armored Front	Yes
See page 52	236L72018	Std. Strike	Yes
See page 75	429F41 FIN*	Mortise Lock Mounting Packet	Yes

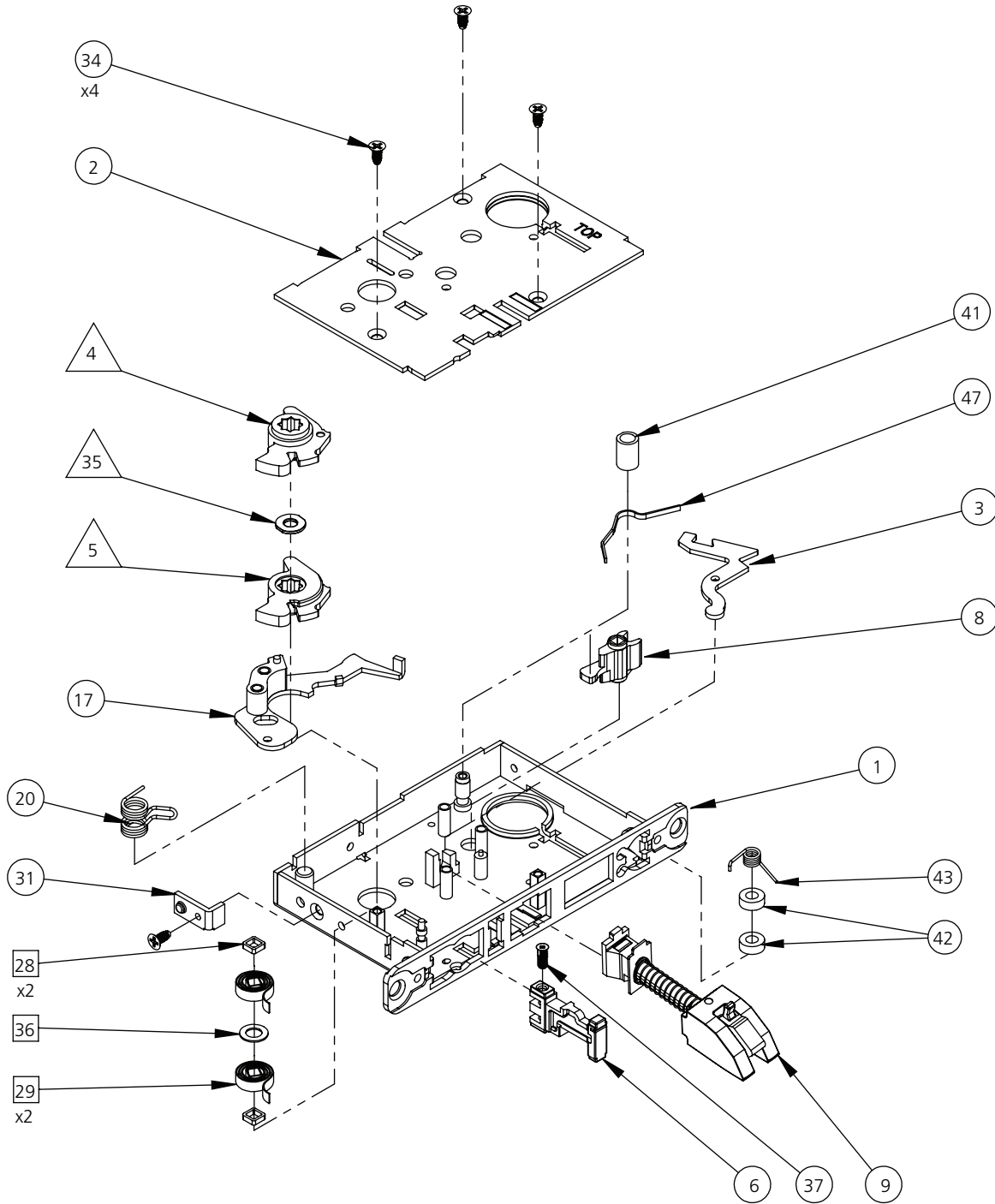
\*Specify finish

The warranty on Corbin Russwin products becomes void if the product is modified in any way, regardless of whether the modifications causes or contributes to any alleged defect. If a Corbin Russwin product is modified it may no longer meet industry certification and quality control standards applicable to the original product and is no longer a genuine Corbin Russwin product.

Copyright © 2000-2023, ASSA ABLOY Access and Egress Hardware Group, Inc. All rights reserved. Reproduction in whole or in part without the express written permission of ASSA ABLOY Access and Egress Hardware Group, Inc. is prohibited. Patent pending and/or patent [www.assaabloydss.com/patents](http://www.assaabloydss.com/patents).



Privacy



- Parts common to both lever and knob trim designs.
- Parts for lever trim designs only.
- △ Lever and knob trim designs utilize different part numbers. See table.

The warranty on Corbin Russwin products becomes void if the product is modified in any way, regardless of whether the modifications causes or contributes to any alleged defect. If a Corbin Russwin product is modified it may no longer meet industry certification and quality control standards applicable to the original product and is no longer a genuine Corbin Russwin product.

Copyright © 2000-2023, ASSA ABLOY Access and Egress Hardware Group, Inc. All rights reserved. Reproduction in whole or in part without the express written permission of ASSA ABLOY Access and Egress Hardware Group, Inc. is prohibited. Patent pending and/or patent [www.assaabloydss.com/patents](http://www.assaabloydss.com/patents).

## Apartment or Dormitory

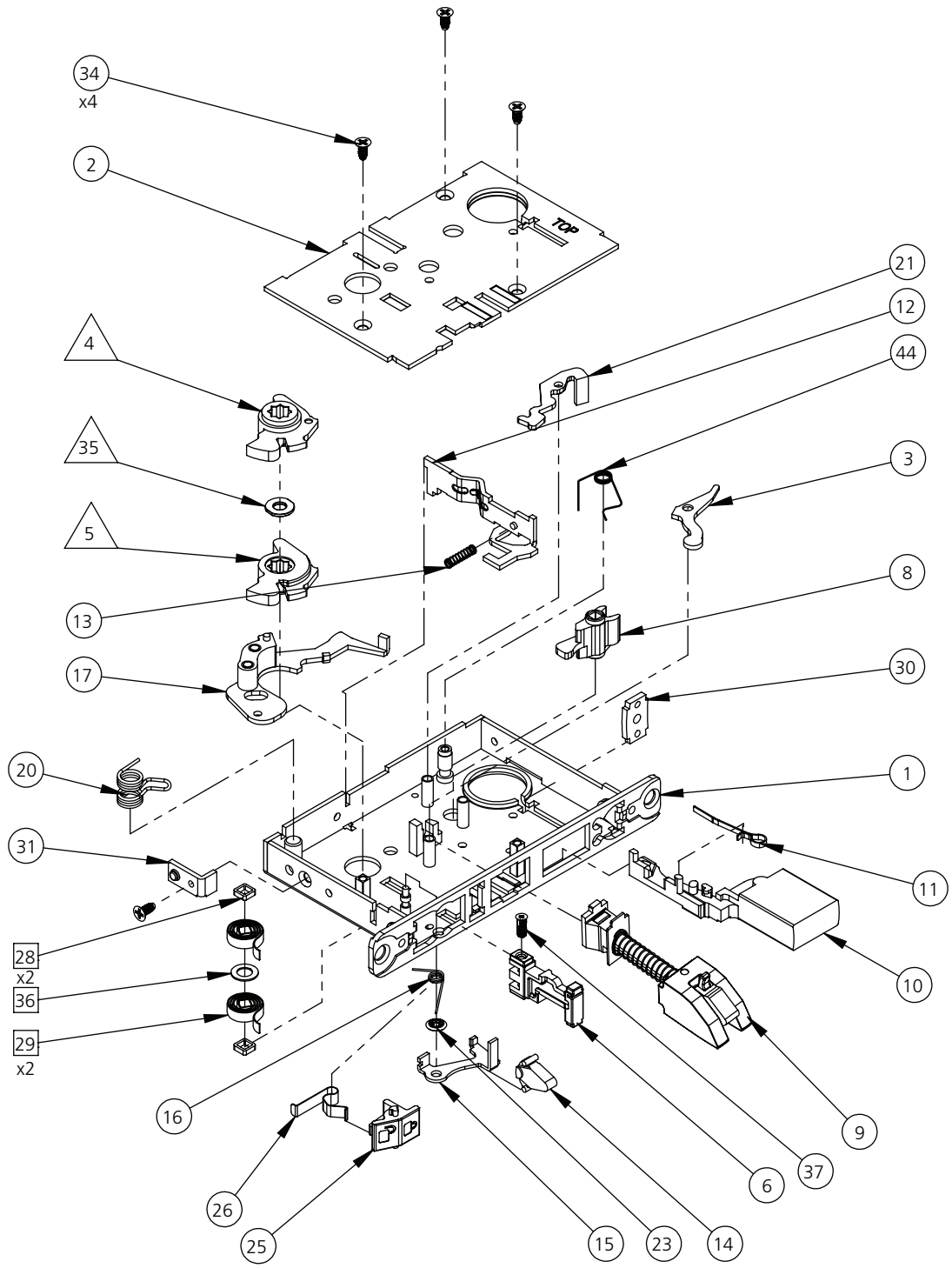
ITEM NO.	PART NUMBER	DESCRIPTION	SELLABLE
1	820F268	Case & Front SA, Standard	No
2	700F278	Cap, Case Standard	No
3	700F748	Lever, Stop	Yes
△ 4	820F068 853F068	Hub (Cap Side) Lever Knob	Yes
△ 5	820F078 853F078	Hub (Case Side) Lever Knob	Yes
6	853F497	Stop	Yes
8	813F505	Hub, Turnpiece Standard	Yes
9	864F107	Latchbolt Sub-Assembly, Standard	Yes
10	702F987	Deadbolt, Standard	Yes
11	701F228	Spring, Deadbolt	Yes
12	602F198	Lever, Deadlocking	Yes
13	700F907	Spring, Deadlocking Spring	Yes
14	403F677	Latch, Auxiliary	Yes
15	678F548	Lever, Auxiliary	Yes
16	678F677	Spring, Auxiliary Lever	Yes
17	820F148	Lever, Hub Assembly With Hook	Yes
20	820F048	Spring, Hub Lever	Yes
21	701F748	Lever, Cylinder Latch Lever	Yes
23	436F177	Ring, Retaining	Yes
25	851F617	Toggle	Yes
26	857F478	Spring, Toggle	Yes
□ 28	466F229	Spacer, Square	Yes
□ 29	404F858	Spring, Lever Return	Yes
30	402F738	Bracket, Cylinder Set Screw	Yes
31	404F868	Bracket, Align	Yes
34	684F188	Screw, FHUM-PH-TITE #8-32 x 3/8"	Yes
△ 35	684F119 853F089	Spacer, Hub Lever Knob	Yes
□ 36	684F129	Spacer, Lever Return Spring	Yes
37	684F067	Screw, Stop	Yes
44	700F957	Spring, Cylinder Latch Lever	Yes
See page 53	402F29 FIN*	Armored Front	Yes
See page 52	236L72018	Std. Strike	Yes
See page 75	429F41 FIN*	Mortise Lock Mounting Packet	Yes

\*Specify finish

The warranty on Corbin Russwin products becomes void if the product is modified in any way, regardless of whether the modifications causes or contributes to any alleged defect. If a Corbin Russwin product is modified it may no longer meet industry certification and quality control standards applicable to the original product and is no longer a genuine Corbin Russwin product.

Copyright © 2000-2023, ASSA ABLOY Access and Egress Hardware Group, Inc. All rights reserved. Reproduction in whole or in part without the express written permission of ASSA ABLOY Access and Egress Hardware Group, Inc. is prohibited. Patent pending and/or patent [www.assaabloydss.com/patents](http://www.assaabloydss.com/patents).

Apartment or Dormitory



- Parts common to both lever and knob trim designs.
- Parts for lever trim designs only.
- △ Lever and knob trim designs utilize different part numbers. See table.

The warranty on Corbin Russwin products becomes void if the product is modified in any way, regardless of whether the modifications causes or contributes to any alleged defect. If a Corbin Russwin product is modified it may no longer meet industry certification and quality control standards applicable to the original product and is no longer a genuine Corbin Russwin product.

Copyright © 2000-2023, ASSA ABLOY Access and Egress Hardware Group, Inc. All rights reserved. Reproduction in whole or in part without the express written permission of ASSA ABLOY Access and Egress Hardware Group, Inc. is prohibited. Patent pending and/or patent [www.assaabloydss.com/patents](http://www.assaabloydss.com/patents).

## Privacy or Apartment

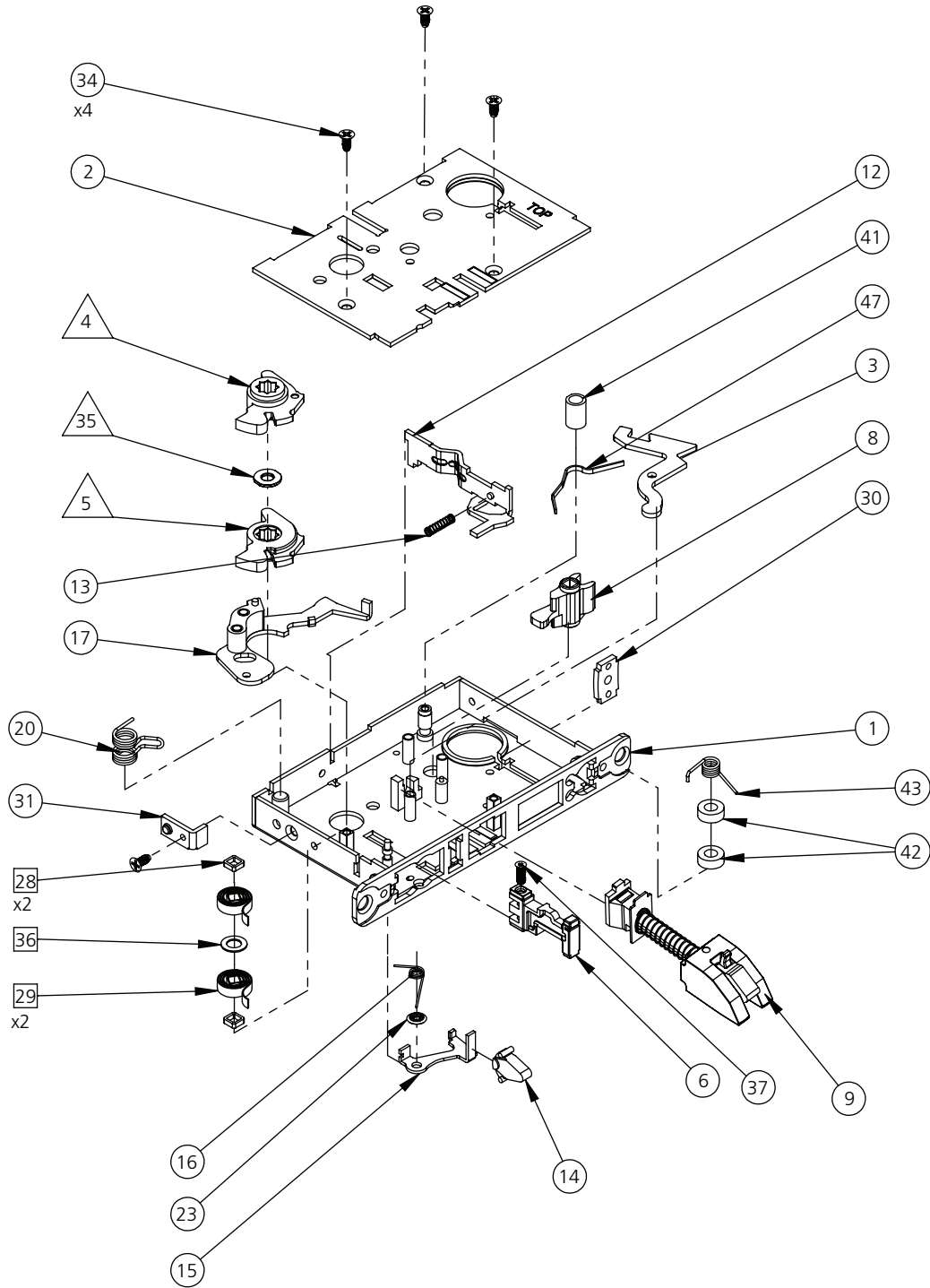
ITEM NO.	PART NUMBER	DESCRIPTION	SELLABLE
1	820F288	Case & Front SA, Func. 60/68	No
2	700F278	Cap, Case Standard	No
3	702F598	Lever, Stop	Yes
△ 4	820F068 853F068	Hub (Cap Side) Lever Knob	Yes
△ 5	820F078 853F078	Hub (Case Side) Lever Knob	Yes
6	853F497	Stop	Yes
8	813F505	Hub, Turnpiece Func. 60/68	Yes
9	864F107	Latchbolt Sub-Assembly, Standard	Yes
12	624F488	Lever, Deadlocking	Yes
13	700F907	Spring, Deadlocking Spring	Yes
14	403F677	Latch, Auxiliary	Yes
15	678F548	Lever, Auxiliary	Yes
16	678F677	Spring, Auxiliary Lever	Yes
17	820F148	Lever, Hub Assembly With Hook	Yes
20	820F048	Spring, Hub Lever	Yes
23	436F177	Ring, Retaining	Yes
28	466F229	Spacer, Square	Yes
□ 29	404F858	Spring, Lever Return	Yes
□ 30	402F738	Bracket, Cylinder Set Screw	Yes
31	404F868	Bracket, Align	Yes
34	684F188	Screw, FHUM-PH-TITE #8-32 x 3/8"	Yes
△ 35	684F119 853F089	Spacer, Hub Lever Knob	Yes
□ 36	684F129	Spacer, Lever Return Spring	Yes
37	684F067	Screw, Stop	Yes
41	624F439	Spacer, Tall	Yes
42	624F449	Spacer, Func. 60/69	Yes
43	688F017	Spring, Kick-Off	Yes
47	863F147	Spring, Turn-Piece Hub	Yes
See page 53	624F49 FIN*	Armored Front	Yes
See page 52	236L72018	Std. Strike	Yes
See page 75	429F41 FIN*	Mortise Lock Mounting Packet	Yes

\*Specify finish

The warranty on Corbin Russwin products becomes void if the product is modified in any way, regardless of whether the modifications causes or contributes to any alleged defect. If a Corbin Russwin product is modified it may no longer meet industry certification and quality control standards applicable to the original product and is no longer a genuine Corbin Russwin product.

Copyright © 2000-2023, ASSA ABLOY Access and Egress Hardware Group, Inc. All rights reserved. Reproduction in whole or in part without the express written permission of ASSA ABLOY Access and Egress Hardware Group, Inc. is prohibited. Patent pending and/or patent [www.assaabloydss.com/patents](http://www.assaabloydss.com/patents).

Privacy or Apartment



- Parts common to both lever and knob trim designs.
- Parts for lever trim designs only.
- △ Lever and knob trim designs utilize different part numbers. See table.

The warranty on Corbin Russwin products becomes void if the product is modified in any way, regardless of whether the modifications causes or contributes to any alleged defect. If a Corbin Russwin product is modified it may no longer meet industry certification and quality control standards applicable to the original product and is no longer a genuine Corbin Russwin product.

Copyright © 2000-2023, ASSA ABLOY Access and Egress Hardware Group, Inc. All rights reserved. Reproduction in whole or in part without the express written permission of ASSA ABLOY Access and Egress Hardware Group, Inc. is prohibited. Patent pending and/or patent [www.assaabloydss.com/patents](http://www.assaabloydss.com/patents).

## Institutional Privacy

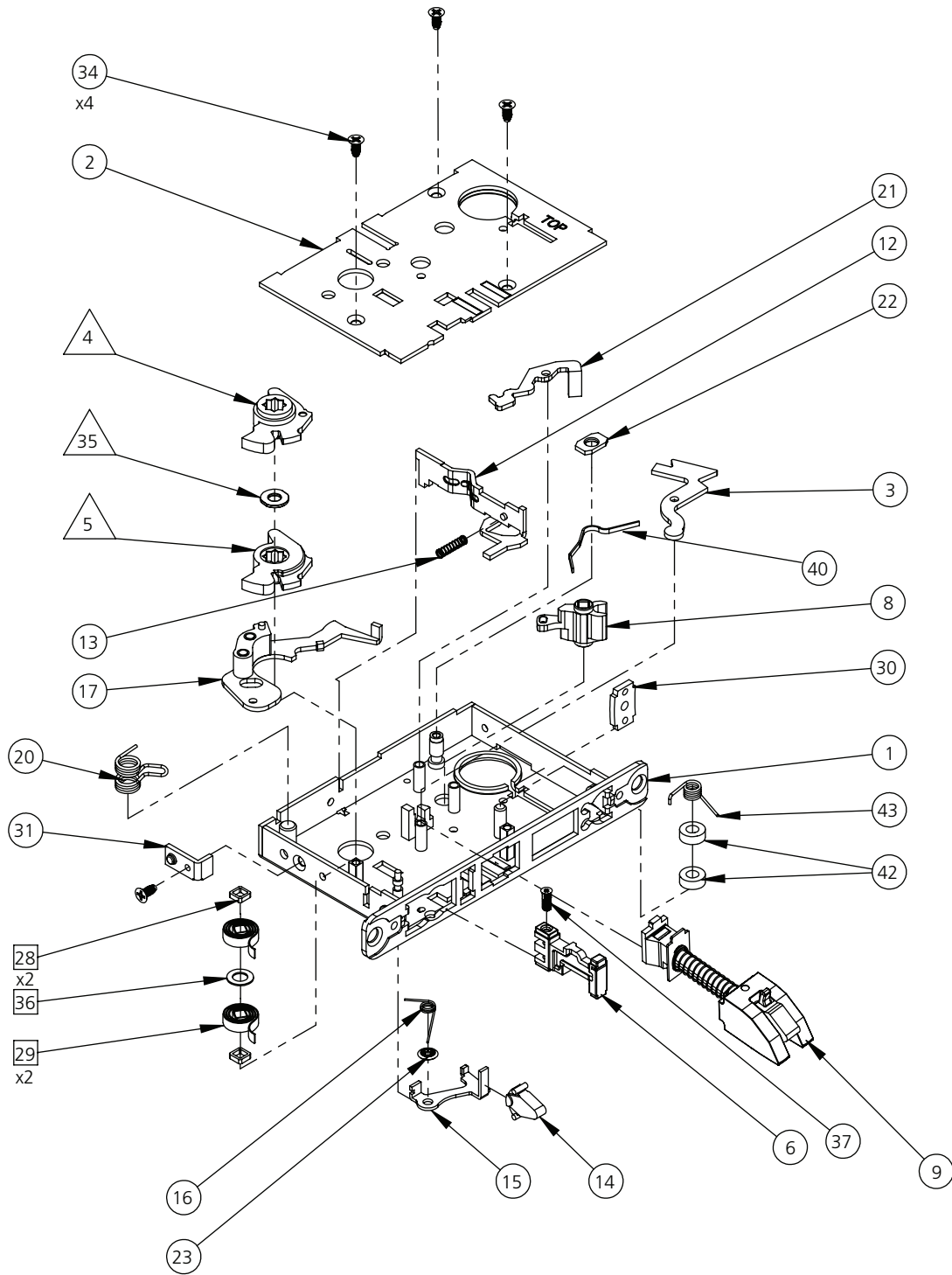
ITEM NO.	PART NUMBER	DESCRIPTION	SELLABLE
1	820F288	Case & Front SA, Func. 69	No
2	700F278	Cap, Case Standard	No
3	720F698	Lever, Stop	Yes
△ 4	820F068 853F068	Hub (Cap Side) Lever Knob	Yes
△ 5	820F078 853F078	Hub (Case Side) Lever Knob	Yes
6	853F497	Stop	Yes
8	813F875	Hub, Turnpiece Func. 69	Yes
9	864F107	Latchbolt Sub-Assembly, Standard	Yes
12	624F488	Lever, Deadlocking	Yes
13	700F907	Spring, Deadlocking Spring	Yes
14	403F677	Latch, Auxiliary	Yes
15	678F548	Lever, Auxiliary	Yes
16	678F677	Spring, Auxiliary Lever	Yes
17	820F148	Lever, Hub Assembly With Hook	Yes
20	820F048	Spring, Hub Lever	Yes
21	815F088	Lever, Cylinder Latch Func. 69	Yes
22	867F829	Stop, Cylinder Latch Lever	Yes
23	436F177	Ring, Retaining	Yes
28	466F229	Spacer, Square	Yes
<input type="checkbox"/> 29	404F858	Spring, Lever Return	Yes
<input type="checkbox"/> 30	402F738	Bracket, Cylinder Set Screw	Yes
31	404F868	Bracket, Align	Yes
34	684F188	Screw, FHUM-PH-TITE #8-32 x 3/8"	Yes
△ 35	684F119 853F089	Spacer, Hub Lever Knob	Yes
<input type="checkbox"/> 36	684F129	Spacer, Lever Return Spring	Yes
37	684F067	Screw, Stop	Yes
40	863F147	Spring, Turnpiece Hub, Func. 69	Yes
42	624F449	Spacer, Func. 60/69	Yes
43	688F017	Spring, Kick-Off	Yes
See page 53	624F49 FIN*	Armored Front	Yes
See page 52	236L72018	Std. Strike	Yes
See page 75	429F41 FIN*	Mortise Lock Mounting Packet	Yes

\*Specify finish

The warranty on Corbin Russwin products becomes void if the product is modified in any way, regardless of whether the modifications causes or contributes to any alleged defect. If a Corbin Russwin product is modified it may no longer meet industry certification and quality control standards applicable to the original product and is no longer a genuine Corbin Russwin product.

Copyright © 2000-2023, ASSA ABLOY Access and Egress Hardware Group, Inc. All rights reserved. Reproduction in whole or in part without the express written permission of ASSA ABLOY Access and Egress Hardware Group, Inc. is prohibited. Patent pending and/or patent [www.assaabloydss.com/patents](http://www.assaabloydss.com/patents).

Institutional Privacy



- Parts common to both lever and knob trim designs.
- Parts for lever trim designs only.
- △ Lever and knob trim designs utilize different part numbers. See table.

The warranty on Corbin Russwin products becomes void if the product is modified in any way, regardless of whether the modifications causes or contributes to any alleged defect. If a Corbin Russwin product is modified it may no longer meet industry certification and quality control standards applicable to the original product and is no longer a genuine Corbin Russwin product.

Copyright © 2000-2023, ASSA ABLOY Access and Egress Hardware Group, Inc. All rights reserved. Reproduction in whole or in part without the express written permission of ASSA ABLOY Access and Egress Hardware Group, Inc. is prohibited. Patent pending and/or patent [www.assaabloydss.com/patents](http://www.assaabloydss.com/patents).

## Classroom Intruder, Classroom Security, Security Entrance or Office

ITEM NO.	PART NUMBER	DESCRIPTION	SELLABLE	
1	820F268	Case & Front SA, Standard	No	
2	700F278	Cap, Case Standard	No	
3	753F078	Lever, Stop	Yes	
△	820F068 853F068	Hub (Cap Side) Lever Knob	Yes	
△	820F078 853F078	Hub (Case Side) Lever Knob	Yes	
6	853F497	Stop	Yes	
8	813F505	Hub, Turnpiece Standard	Yes	
9	864F107	Latchbolt Sub-Assembly, Standard	Yes	
10	753F697	Deadbolt, Func. 72	Yes	
11	701F228	Spring, Deadbolt	Yes	
12	700F218	Lever, Deadlocking	Yes	
13	700F907	Spring, Deadlocking Spring	Yes	
14	403F677	Latch, Axuiliary	Yes	
15	678F548	Lever, Auxiliary	Yes	
16	678F677	Spring, Auxiliary Lever	Yes	
17	820F148	Lever, Hub Assembly With Hook	Yes	
20	820F048	Spring, Hub Lever	Yes	
21	753F092	Lever, Cylinder Latch Func. 72	Yes	
23	436F177	Ring, Retaining	Yes	
□	28	466F229	Spacer, Square	Yes
□	29	404F858	Spring, Lever Return	Yes
30	402F738	Bracket, Cylinder Set Screw	Yes	
31	404F868	Bracket, Align	Yes	
34	684F188	Screw, FHUM-PH-TITE #8-32 x 3/8"	Yes	
△	684F119 853F089	Spacer, Hub Lever Knob	Yes	
□	36	684F129	Spacer, Lever Return Spring	Yes
37	684F067	Screw, Stop	Yes	
44	700F957	Spring, Cylinder Latch Lever	Yes	
45	703F997	Spring, Stop, Func. 72	Yes	
See page 53	402F30 FIN*	Armored Front	Yes	
See page 52	236L72018	Std. Strike	Yes	
See page 75	429F41 FIN* 488F088	Mortise Lock Mounting Packet  NOTE: For double cylinder functions an additional cylinder set screw is required.  Cylinder Set Screw	Yes	

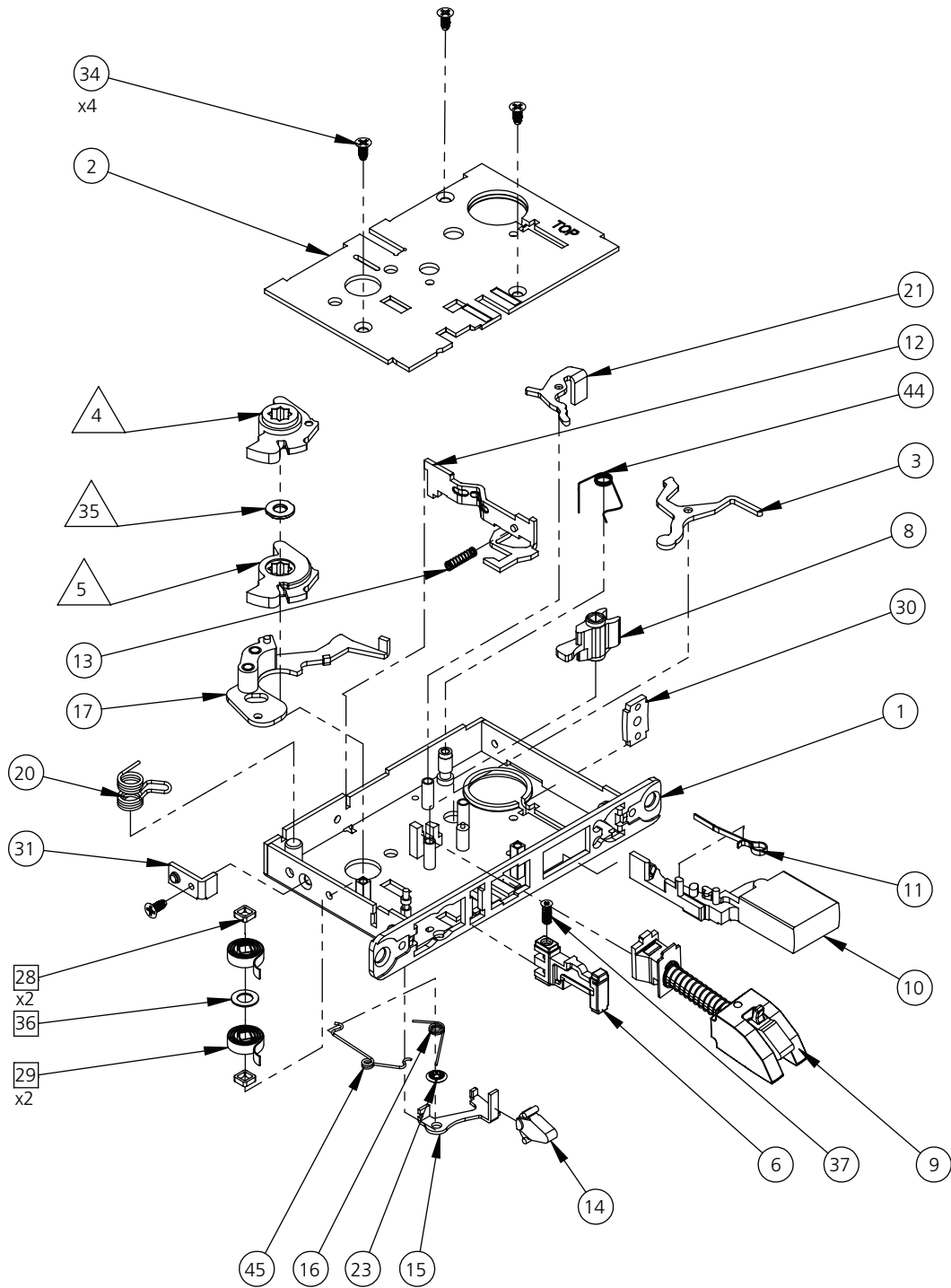
\*Specify finish

The warranty on Corbin Russwin products becomes void if the product is modified in any way, regardless of whether the modifications causes or contributes to any alleged defect. If a Corbin Russwin product is modified it may no longer meet industry certification and quality control standards applicable to the original product and is no longer a genuine Corbin Russwin product.

Copyright © 2000-2023, ASSA ABLOY Access and Egress Hardware Group, Inc. All rights reserved. Reproduction in whole or in part without the express written permission of ASSA ABLOY Access and Egress Hardware Group, Inc. is prohibited. Patent pending and/or patent [www.assaabloyds.com/patents](http://www.assaabloyds.com/patents).



**Classroom Intruder, Classroom Security, Security Entrance or Office**



- Parts common to both lever and knob trim designs.
- Parts for lever trim designs only.
- △ Lever and knob trim designs utilize different part numbers. See table.

The warranty on Corbin Russwin products becomes void if the product is modified in any way, regardless of whether the modifications causes or contributes to any alleged defect. If a Corbin Russwin product is modified it may no longer meet industry certification and quality control standards applicable to the original product and is no longer a genuine Corbin Russwin product.

Copyright © 2000-2023, ASSA ABLOY Access and Egress Hardware Group, Inc. All rights reserved. Reproduction in whole or in part without the express written permission of ASSA ABLOY Access and Egress Hardware Group, Inc. is prohibited. Patent pending and/or patent [www.assaabloydss.com/patents](http://www.assaabloydss.com/patents).

## Half Active Dummy Trim

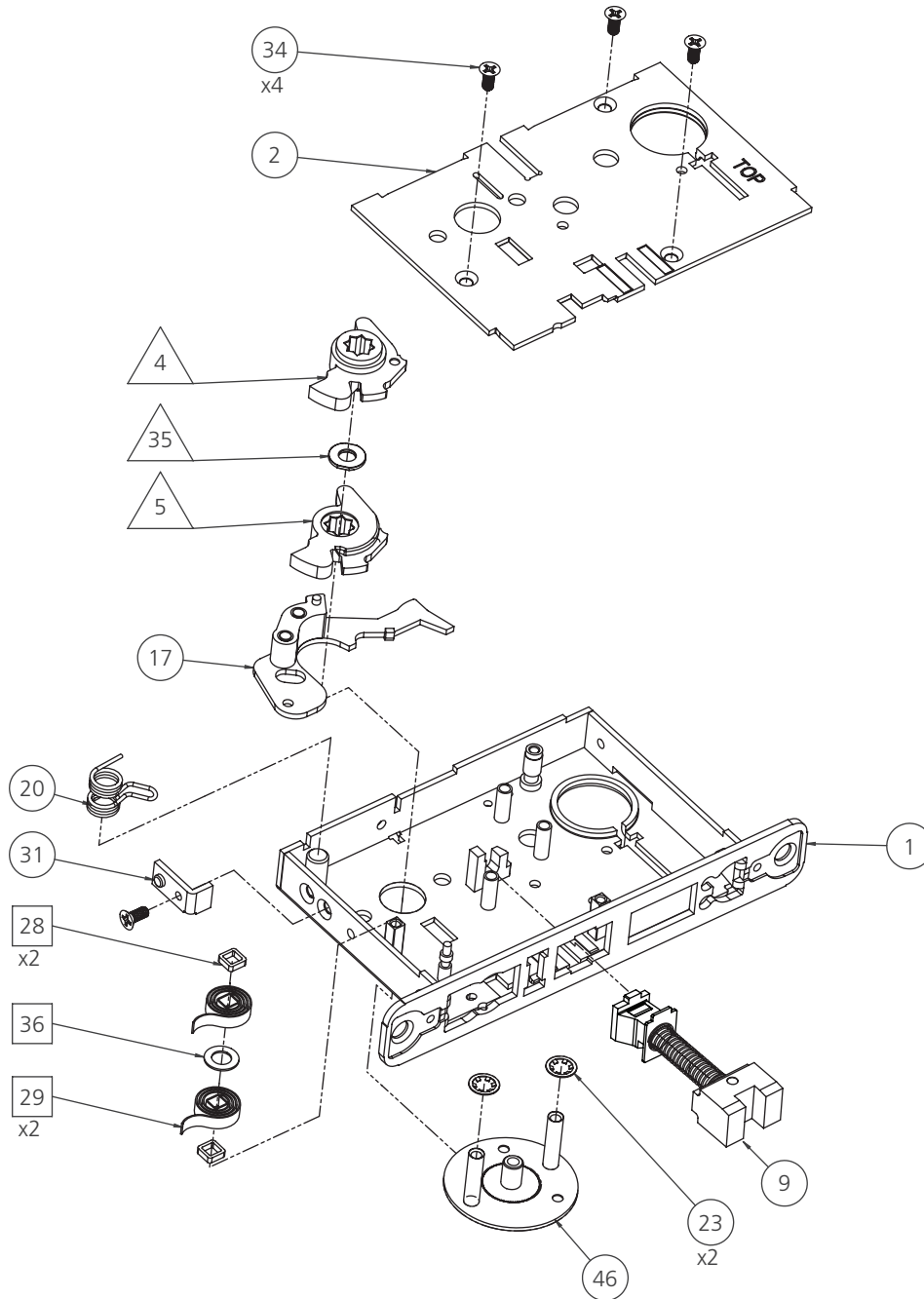
ITEM NO.	PART NUMBER	DESCRIPTION	SELLABLE
1	820F268	Case & Front SA, Standard	No
2	700F278	Cap, Case Standard	No
△ 4	820F068 853F068	Hub (Cap Side) Lever Knob	Yes
△ 5	820F078 853F078	Hub (Case Side) Lever Knob	Yes
9	864F117	Latchbolt Sub-Assembly	Yes
17	820F008	Lever, Hub Assembly	Yes
20	820F048	Spring, Hub Lever	Yes
23	427F078	Ring, Retaining M30	Yes
□ 28	466F229	Spacer, Square	Yes
□ 29	404F858	Spring, Lever Return	Yes
31	404F868	Bracket, Align	Yes
34	684F188	Screw, FHUM-PH-TITE #8-32 x 3/8"	Yes
△ 35	684F119 853F089	Spacer, Hub Lever Knob	Yes
□ 36	684F129	Spacer, Lever Return Spring	Yes
46	488F278	M30 Adapter Plate	Yes
See page 53	720F43 FIN*	Armored Front	Yes
See page 52	236L72018	Std. Strike	Yes
See page 75	429F41 FIN*	Mortise Lock Mounting Packet	Yes

\*Specify finish

The warranty on Corbin Russwin products becomes void if the product is modified in any way, regardless of whether the modifications causes or contributes to any alleged defect. If a Corbin Russwin product is modified it may no longer meet industry certification and quality control standards applicable to the original product and is no longer a genuine Corbin Russwin product.

Copyright © 2000-2023, ASSA ABLOY Access and Egress Hardware Group, Inc. All rights reserved. Reproduction in whole or in part without the express written permission of ASSA ABLOY Access and Egress Hardware Group, Inc. is prohibited. Patent pending and/or patent [www.assaabloydss.com/patents](http://www.assaabloydss.com/patents).

Half Active Dummy Trim



- Parts common to both lever and knob trim designs.
- Parts for lever trim designs only.
- △ Lever and knob trim designs utilize different part numbers. See table.

The warranty on Corbin Russwin products becomes void if the product is modified in any way, regardless of whether the modifications causes or contributes to any alleged defect. If a Corbin Russwin product is modified it may no longer meet industry certification and quality control standards applicable to the original product and is no longer a genuine Corbin Russwin product.

Copyright © 2000-2023, ASSA ABLOY Access and Egress Hardware Group, Inc. All rights reserved. Reproduction in whole or in part without the express written permission of ASSA ABLOY Access and Egress Hardware Group, Inc. is prohibited. Patent pending and/or patent [www.assaabloydss.com/patents](http://www.assaabloydss.com/patents).

## Dormitory or Exit

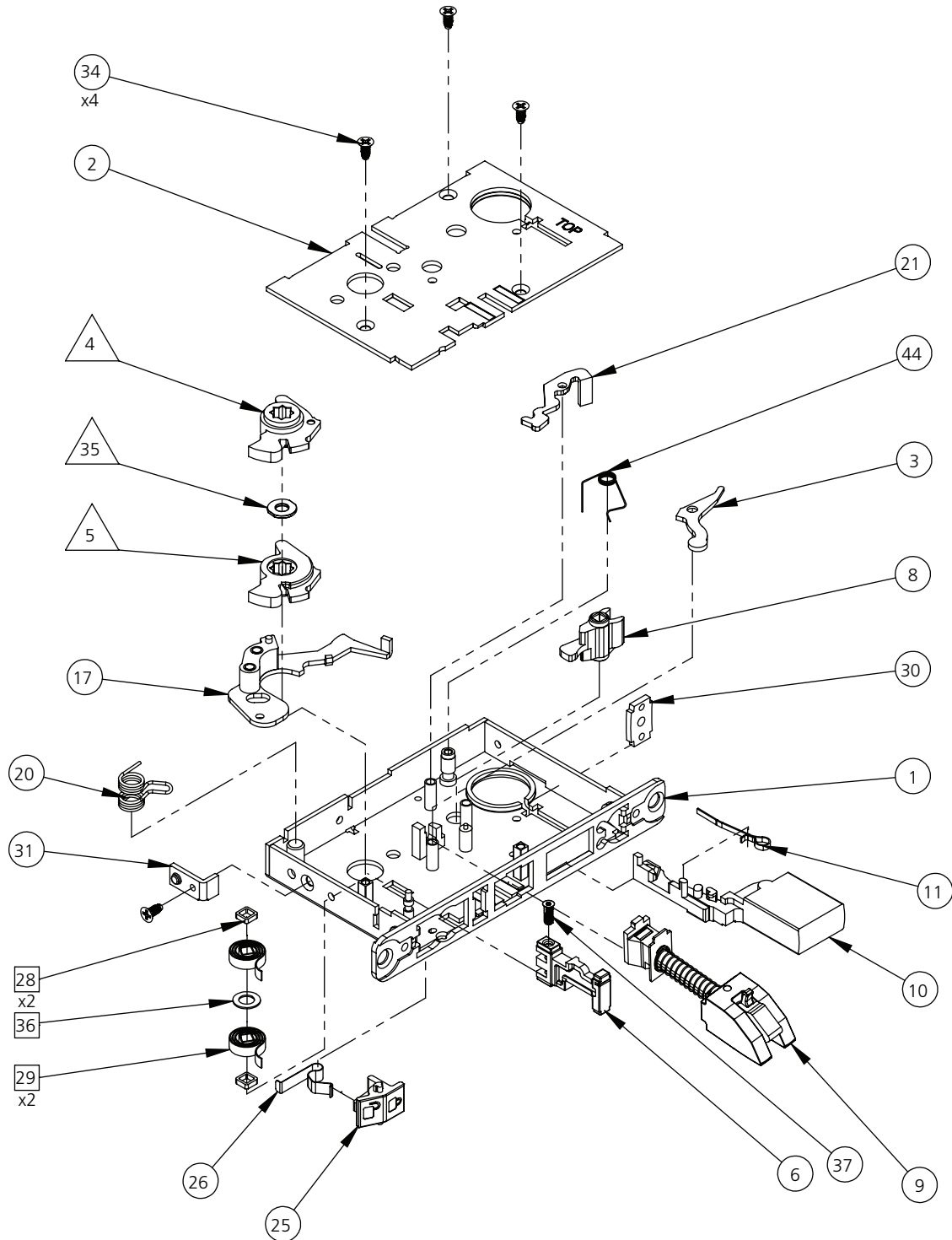
ITEM NO.	PART NUMBER	DESCRIPTION	SELLABLE
1	820F268	Case & Front SA, Standard	No
2	700F278	Cap, Case Standard	No
3	700F748	Lever, Stop	Yes
△ 4	820F068 853F068	Hub (Cap Side) Lever Knob	Yes
△ 5	820F078 853F078	Hub (Case Side) Lever Knob	Yes
6	853F497	Stop	Yes
8	813F505	Hub, Turnpiece Standard	Yes
9	864F107	Latchbolt Sub-Assembly, Standard	Yes
10	702F987	Deadbolt, Standard	Yes
11	701F228	Spring, Deadbolt	Yes
17	820F148	Lever, Hub Assembly With Hook	Yes
20	820F048	Spring, Hub Lever	Yes
21	701F748	Lever, Cylinder Latch Lever	Yes
25	851F617	Toggle	Yes
26	857F478	Spring, Toggle	Yes
□ 28	466F229	Spacer, Square	Yes
□ 29	404F858	Spring, Lever Return	Yes
30	402F738	Bracket, Cylinder Set Screw	Yes
31	404F868	Bracket, Align	Yes
34	684F188	Screw, FHUM-PH-TITE #8-32 x 3/8"	Yes
△ 35	684F119 853F089	Spacer, Hub Lever Knob	Yes
□ 36	684F129	Spacer, Lever Return Spring	Yes
37	684F067	Screw, Stop	Yes
44	700F957	Spring, Cylinder Latch Lever	Yes
See page 53	624F49 FIN*	Armored Front	Yes
See page 52	236L72018	Std. Strike	Yes
See page 75	429F41 FIN* 488F088	Mortise Lock Mounting Packet  NOTE: For double cylinder functions an additional cylinder set screw is required.  Cylinder Set Screw	Yes

\*Specify finish

The warranty on Corbin Russwin products becomes void if the product is modified in any way, regardless of whether the modifications causes or contributes to any alleged defect. If a Corbin Russwin product is modified it may no longer meet industry certification and quality control standards applicable to the original product and is no longer a genuine Corbin Russwin product.

Copyright © 2000-2023, ASSA ABLOY Access and Egress Hardware Group, Inc. All rights reserved. Reproduction in whole or in part without the express written permission of ASSA ABLOY Access and Egress Hardware Group, Inc. is prohibited. Patent pending and/or patent [www.assaabloydss.com/patents](http://www.assaabloydss.com/patents).

Dormitory or Exit



- Parts common to both lever and knob trim designs.
- Parts for lever trim designs only.
- △ Lever and knob trim designs utilize different part numbers. See table.

The warranty on Corbin Russwin products becomes void if the product is modified in any way, regardless of whether the modifications causes or contributes to any alleged defect. If a Corbin Russwin product is modified it may no longer meet industry certification and quality control standards applicable to the original product and is no longer a genuine Corbin Russwin product.

Copyright © 2000-2023, ASSA ABLOY Access and Egress Hardware Group, Inc. All rights reserved. Reproduction in whole or in part without the express written permission of ASSA ABLOY Access and Egress Hardware Group, Inc. is prohibited. Patent pending and/or patent [www.assaabloydss.com/patents](http://www.assaabloydss.com/patents).

## Security Vestibule

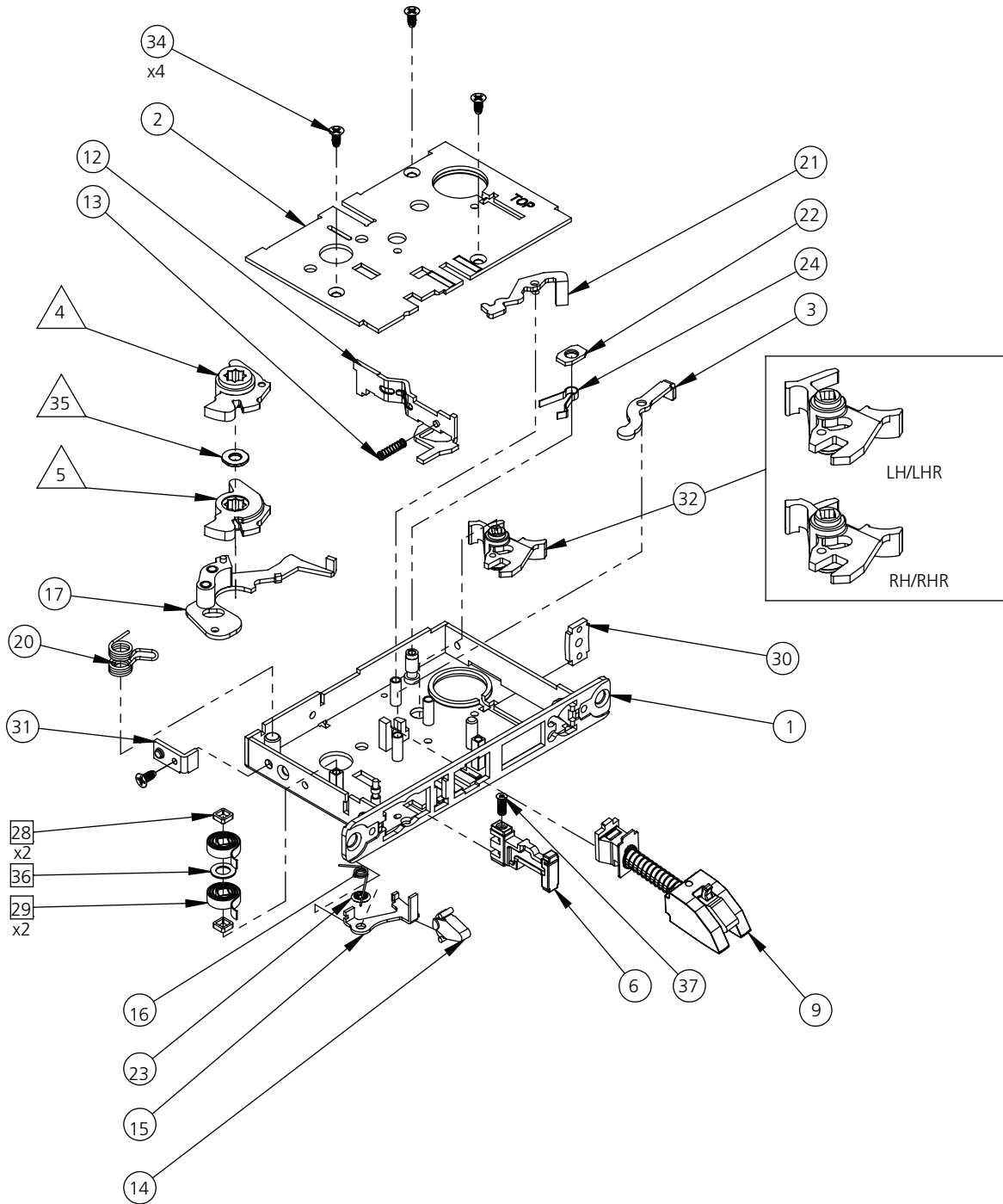
ITEM NO.	PART NUMBER	DESCRIPTION	SELLABLE
1	820F268	Case & Front SA, Standard	No
2	700F278	Cap, Case Standard	No
3	681F448	Lever, Stop	Yes
△ 4	820F068 853F068	Hub (Cap Side) Lever Knob	Yes
△ 5	820F078 853F078	Hub (Case Side) Lever Knob	Yes
6	853F497	Stop	Yes
9	864F107	Latchbolt Sub-Assembly, Standard	Yes
12	624F488	Lever, Deadlocking	Yes
13	700F907	Spring, Deadlocking Spring	Yes
14	403F677	Latch, Auxiliary	Yes
15	678F548	Lever, Auxiliary	Yes
16	678F677	Spring, Auxiliary Lever	Yes
17	820F008	Lever, Hub Assembly	Yes
20	820F048	Spring, Hub Lever	Yes
21	701F748	Lever, Cylinder Latch Lever	Yes
22	705F949	Stop, Cylinder Latch Lever	Yes
23	436F177	Ring, Retaining	Yes
24	685F387	Spring, Stop	Yes
28	466F229	Spacer, Square	Yes
□ 29	404F858	Spring, Lever Return	Yes
□ 30	402F738	Bracket, Cylinder Set Screw	Yes
31	404F868	Bracket, Align	Yes
32	856F865 856F875	Hub, Turnpiece Large RH/RHR Hub, Turnpiece Large LH/LHR	Yes
34	684F188	Screw, FHUM-PH-TITE #8-32 x 3/8"	Yes
△ 35	684F119 853F089	Spacer, Hub Lever Knob	Yes
□ 36	684F129	Spacer, Lever Return Spring	Yes
37	684F067	Screw, Stop	Yes
See page 53	624F49 FIN*	Armored Front	Yes
See page 52	236L72018	Std. Strike	Yes
See page 75	429F41 FIN* 488F088	Mortise Lock Mounting Packet  NOTE: For double cylinder functions an additional cylinder set screw is required.  Cylinder Set Screw	Yes

\*Specify finish

The warranty on Corbin Russwin products becomes void if the product is modified in any way, regardless of whether the modifications causes or contributes to any alleged defect. If a Corbin Russwin product is modified it may no longer meet industry certification and quality control standards applicable to the original product and is no longer a genuine Corbin Russwin product.

Copyright © 2000-2023, ASSA ABLOY Access and Egress Hardware Group, Inc. All rights reserved. Reproduction in whole or in part without the express written permission of ASSA ABLOY Access and Egress Hardware Group, Inc. is prohibited. Patent pending and/or patent [www.assaabloydss.com/patents](http://www.assaabloydss.com/patents).

Security Vestibule



- Parts common to both lever and knob trim designs.
- Parts for lever trim designs only.
- △ Lever and knob trim designs utilize different part numbers. See table.

The warranty on Corbin Russwin products becomes void if the product is modified in any way, regardless of whether the modifications causes or contributes to any alleged defect. If a Corbin Russwin product is modified it may no longer meet industry certification and quality control standards applicable to the original product and is no longer a genuine Corbin Russwin product.

Copyright © 2000-2023, ASSA ABLOY Access and Egress Hardware Group, Inc. All rights reserved. Reproduction in whole or in part without the express written permission of ASSA ABLOY Access and Egress Hardware Group, Inc. is prohibited. Patent pending and/or patent [www.assaabloydss.com/patents](http://www.assaabloydss.com/patents).

## Fully Active Dummy Trim

ITEM NO.	PART NUMBER	DESCRIPTION	SELLABLE
1	820F268	Case & Front SA, Standard	No
2	700F278	Cap, Case Standard	No
△ 4	820F068 853F068	Hub (Cap Side) Lever Knob	Yes
△ 5	820F078 853F078	Hub (Case Side) Lever Knob	Yes
9	864F117	Latchbolt Sub-Assembly	Yes
17	820F008	Lever, Hub Assembly	Yes
20	820F048	Spring, Hub Lever	Yes
□ 28	466F229	Spacer, Square	Yes
□ 29	404F858	Spring, Lever Return	Yes
31	404F868	Bracket, Align	Yes
34	684F188	Screw, FHUM-PH-TITE #8-32 x 3/8"	Yes
△ 35	684F119 853F089	Spacer, Hub Lever Knob	Yes
□ 36	684F129	Spacer, Lever Return Spring	Yes
See page 53	720F43 FIN*	Armored Front	Yes
See page 52	236L72018	Std. Strike	Yes
See page 75	429F41 FIN*	Mortise Lock Mounting Packet	Yes

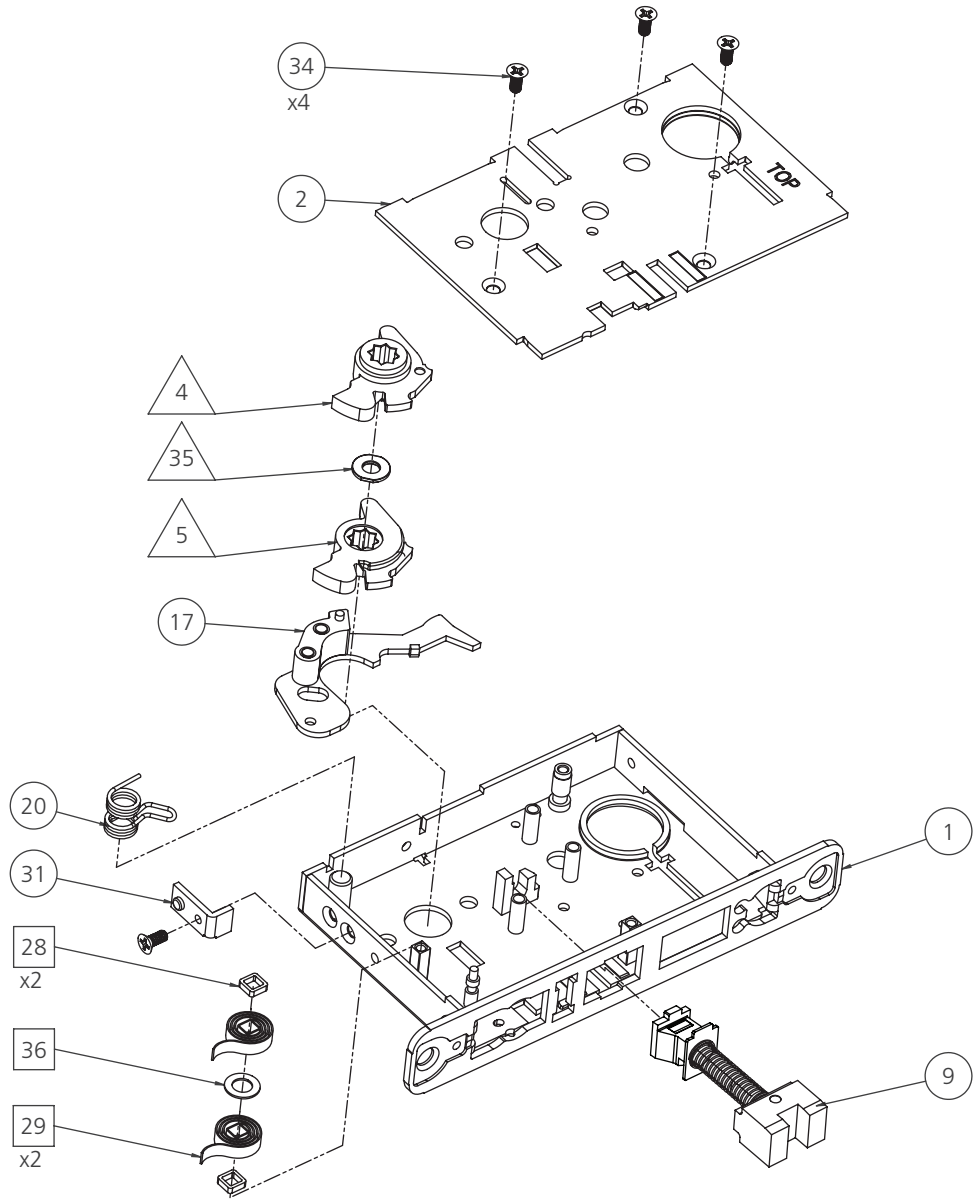
\*Specify finish

The warranty on Corbin Russwin products becomes void if the product is modified in any way, regardless of whether the modifications causes or contributes to any alleged defect. If a Corbin Russwin product is modified it may no longer meet industry certification and quality control standards applicable to the original product and is no longer a genuine Corbin Russwin product.

Copyright © 2000-2023, ASSA ABLOY Access and Egress Hardware Group, Inc. All rights reserved. Reproduction in whole or in part without the express written permission of ASSA ABLOY Access and Egress Hardware Group, Inc. is prohibited. Patent pending and/or patent [www.assaabloyds.com/patents](http://www.assaabloyds.com/patents).



Fully Active Dummy Trim



- Parts common to both lever and knob trim designs.
- Parts for lever trim designs only.
- △ Lever and knob trim designs utilize different part numbers. See table.

The warranty on Corbin Russwin products becomes void if the product is modified in any way, regardless of whether the modifications causes or contributes to any alleged defect. If a Corbin Russwin product is modified it may no longer meet industry certification and quality control standards applicable to the original product and is no longer a genuine Corbin Russwin product.

Copyright © 2000-2023, ASSA ABLOY Access and Egress Hardware Group, Inc. All rights reserved. Reproduction in whole or in part without the express written permission of ASSA ABLOY Access and Egress Hardware Group, Inc. is prohibited. Patent pending and/or patent [www.assaabloydss.com/patents](http://www.assaabloydss.com/patents).

## Security Institution or Utility

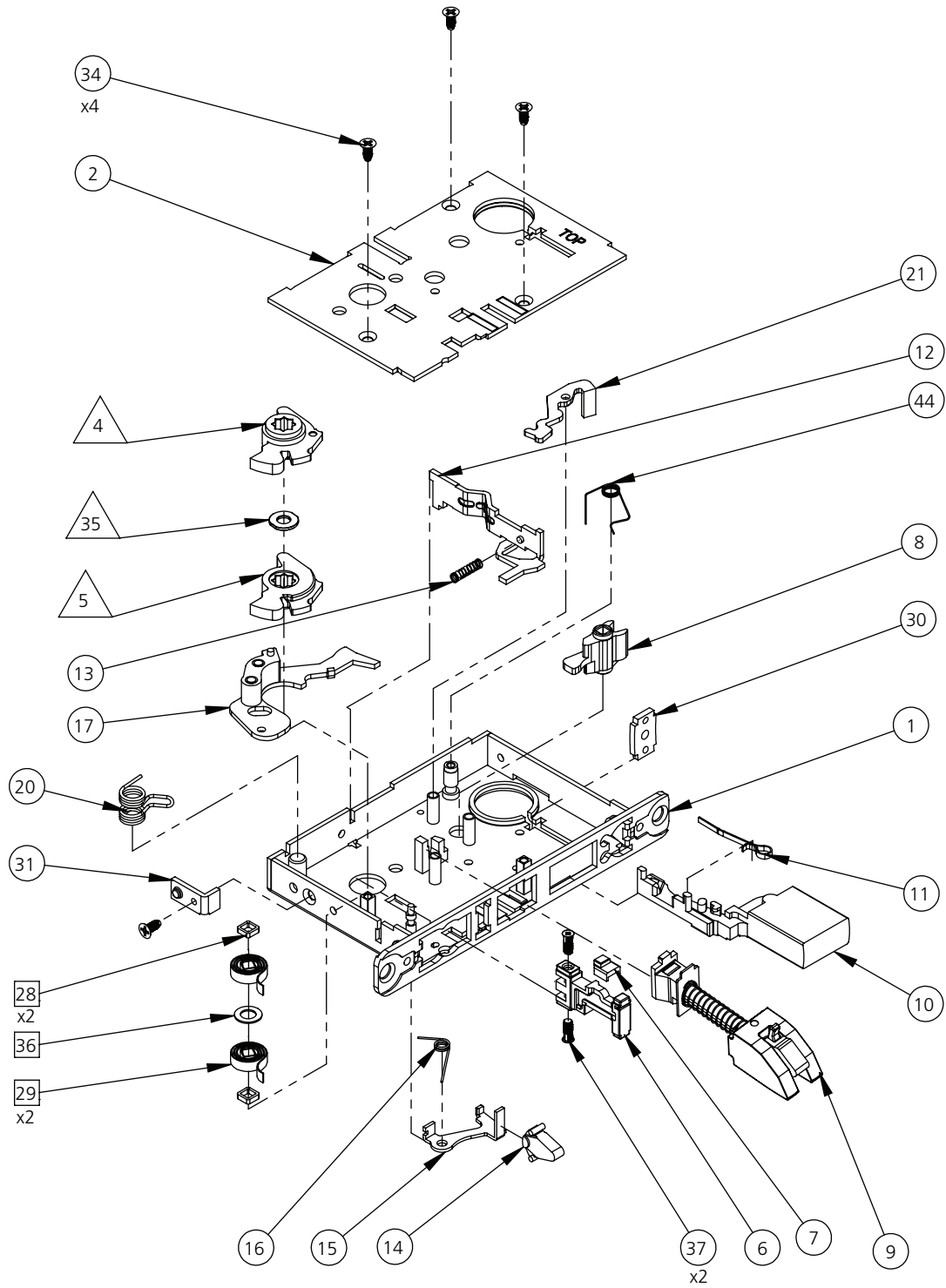
ITEM NO.	PART NUMBER	DESCRIPTION	SELLABLE
1	820F268	Case & Front SA, Standard	No
2	700F278	Cap, Case Standard	No
△ 4	820F068 853F068	Hub (Cap Side) Lever Knob	Yes
△ 5	820F078 853F078	Hub (Case Side) Lever Knob	Yes
6	853F497	Stop	Yes
7	684F559	Stop, Fixed	Yes
8	813F505	Hub, Turnpiece Standard	Yes
9	864F107	Latchbolt Sub-Assembly, Standard	Yes
10	702F987	Deadbolt, Standard	Yes
11	701F228	Spring, Deadbolt	Yes
12	624F488	Lever, Deadlocking	Yes
13	700F907	Spring, Deadlocking Spring	Yes
14	403F677	Latch, Auxiliary	Yes
15	678F548	Lever, Auxiliary	Yes
16	678F677	Spring, Auxiliary Lever	Yes
17	820F008	Lever, Hub Assembly	Yes
20	820F048	Spring, Hub Lever	Yes
21	701F748	Lever, Cylinder Latch Lever	Yes
23	436F177	Ring, Retaining	Yes
□ 28	466F229	Spacer, Square	Yes
□ 29	404F858	Spring, Lever Return	Yes
30	402F738	Bracket, Cylinder Set Screw	Yes
31	404F868	Bracket, Align	Yes
34	684F188	Screw, FHUM-PH-TITE #8-32 x 3/8"	Yes
△ 35	684F119 853F089	Spacer, Hub Lever Knob	Yes
□ 36	684F129	Spacer, Lever Return Spring	Yes
37	684F067	Screw, Stop	Yes
44	700F957	Spring, Cylinder Latch Lever	Yes
See page 53	402F30 FIN*	Armored Front	Yes
See page 52	236L72018	Std. Strike	Yes
See page 75	429F41 FIN* 488F088	Mortise Lock Mounting Packet  NOTE: For double cylinder functions an additional cylinder set screw is required.  Cylinder Set Screw	Yes

\*Specify finish

The warranty on Corbin Russwin products becomes void if the product is modified in any way, regardless of whether the modifications causes or contributes to any alleged defect. If a Corbin Russwin product is modified it may no longer meet industry certification and quality control standards applicable to the original product and is no longer a genuine Corbin Russwin product.

Copyright © 2000-2023, ASSA ABLOY Access and Egress Hardware Group, Inc. All rights reserved. Reproduction in whole or in part without the express written permission of ASSA ABLOY Access and Egress Hardware Group, Inc. is prohibited. Patent pending and/or patent [www.assaabloydss.com/patents](http://www.assaabloydss.com/patents).

Security Institution or Utility

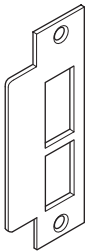
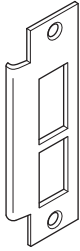
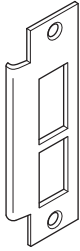



- Parts common to both lever and knob trim designs.
- Parts for lever trim designs only.
- △ Lever and knob trim designs utilize different part numbers. See table.

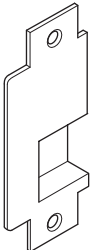
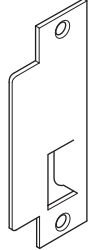
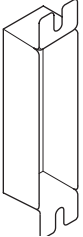
The warranty on Corbin Russwin products becomes void if the product is modified in any way, regardless of whether the modifications causes or contributes to any alleged defect. If a Corbin Russwin product is modified it may no longer meet industry certification and quality control standards applicable to the original product and is no longer a genuine Corbin Russwin product.

Copyright © 2000-2023, ASSA ABLOY Access and Egress Hardware Group, Inc. All rights reserved. Reproduction in whole or in part without the express written permission of ASSA ABLOY Access and Egress Hardware Group, Inc. is prohibited. Patent pending and/or patent [www.assaabloydss.com/patents](http://www.assaabloydss.com/patents).

(Specify Finish)

	Latchbolt & Deadbolt			Filler Plate
				
Lip Length	Straight Lip	Curved Lip RH/LHR	Curved Lip LH/RHR	Straight Lip
7/8"	236L72M014FIN	-----	-----	-----
1"	236L72M016FIN	-----	-----	236L70M016FIN
1-1/8"	236L72M018FIN	340L60M018FIN	340L61M018FIN	236L70M018FIN
1-1/4"	236L72M020FIN	340L60M020FIN	340L61M020FIN	236L70M020FIN
1-3/8"	236L72M022FIN	340L60M022FIN	340L61M022FIN	236L70M022FIN
1-1/2"	236L72M024FIN	340L60M024FIN	340L61M024FIN	236L70M024FIN
1-3/4"	236L72M028FIN	340L60M028FIN	340L61M028FIN	236L70M028FIN
2"	236L72M032FIN	340L60M032FIN	340L61M032FIN	236L70M032FIN
2-1/4"	236L72M036FIN	340L60M036FIN	340L61M036FIN	236L70M036FIN
2-1/2"	236L72M040FIN	340L60M040FIN	340L61M040FIN	236L70M040FIN
2-3/4"	236L72M044FIN	340L60M044FIN	340L61M044FIN	236L70M044FIN
3"	236L72M048FIN	340L60M048FIN	340L61M048FIN	236L70M048FIN


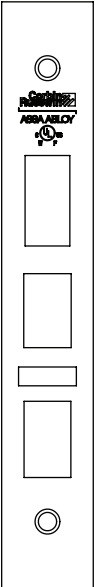
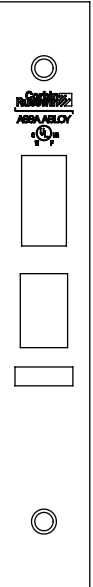
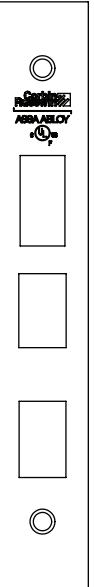
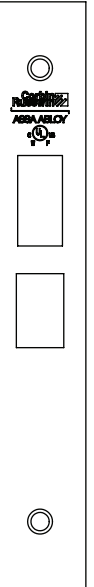
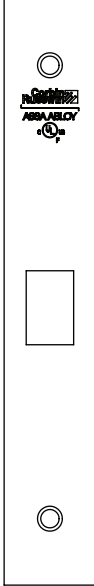
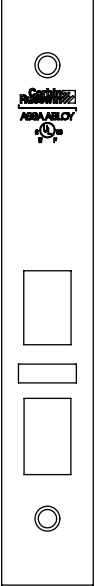
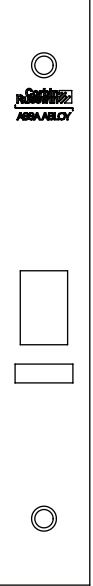
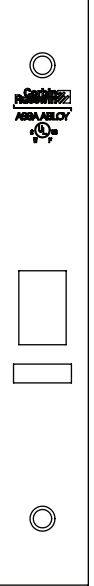

NOTE: On Curved Lip Strikes, the lip length will always be 1/8" longer than the lip length of Straight Lip Strikes for the same door thickness. Example: for 1-3/4" door thickness order Straight Lip Strike in 1-1/8" lip length (236L72M018FIN) or Curved Lip Strike in 1-1/4" lip length (340L60M020FIN). Specify finish.

Open back Strike			Exit Device Strike			Wrought Box
						
Door Thickness	LHR	RHR	Lip Length	LHR	RHR	Wrought Box is available for all ANSI standardized strikes. Part No.: 120F76
1-3/4" (016)	411L62M016FIN	411L63M016FIN	1-1/8"	405L138M018FIN	405L148M018FIN	
2" (018)	411L62M018FIN	411L63M018FIN	1-1/4"	405L138M020FIN	405L148M020FIN	
2-1/4" (020)	411L62M020FIN	411L63M020FIN	1-3/8"	405L138M022FIN	405L148M022FIN	

The warranty on Corbin Russwin products becomes void if the product is modified in any way, regardless of whether the modifications causes or contributes to any alleged defect. If a Corbin Russwin product is modified it may no longer meet industry certification and quality control standards applicable to the original product and is no longer a genuine Corbin Russwin product.

Copyright © 2000-2023, ASSA ABLOY Access and Egress Hardware Group, Inc. All rights reserved. Reproduction in whole or in part without the express written permission of ASSA ABLOY Access and Egress Hardware Group, Inc. is prohibited. Patent pending and/or patent [www.assaabloydss.com/patents](http://www.assaabloydss.com/patents).

Specify Finish

 <p><b>For Deadbolt Only</b>            079F00 (Standard)            079F02 (D138 Option)</p>	 <p><b>For Deadbolt, Latchbolt, Auxiliary Latch, &amp; Toggle</b>            402F29 (Standard)            402F33 (D138 Option)</p>	 <p><b>For Deadbolt, Latchbolt, &amp; Auxiliary Latch</b>            402F30 (Standard)            402F34 (D138 Option)</p>	 <p><b>For Deadbolt, Latchbolt, &amp; Toggle</b>            402F31 (Standard)            402F35 (D138 Option)</p>	 <p><b>For Deadbolt &amp; Latchbolt</b>            423F54 (Standard)            423F57 (D138 Option)</p>
 <p><b>For Latchbolt Only</b>            423F55 (Standard)            423F58 (D138 Option)</p>	 <p><b>For Latchbolt, Auxiliary Latch, &amp; Toggle</b>            681F31 (Standard)            681F30 (D138 Option)</p>	 <p><b>For Functions 56 &amp; 58</b>            681F34 (Standard)            681F35 (D138 Option)</p>	 <p><b>For Latchbolt, &amp; Auxiliary Latch</b>            624F49 (Standard)            624F53 (D138 Option)</p>	 <p><b>For Functions 80 &amp; 90</b>            720F43 (Standard)            720F46 (D138 Option)</p>

The warranty on Corbin Russwin products becomes void if the product is modified in any way, regardless of whether the modifications causes or contributes to any alleged defect. If a Corbin Russwin product is modified it may no longer meet industry certification and quality control standards applicable to the original product and is no longer a genuine Corbin Russwin product.

Copyright © 2000-2023, ASSA ABLOY Access and Egress Hardware Group, Inc. All rights reserved. Reproduction in whole or in part without the express written permission of ASSA ABLOY Access and Egress Hardware Group, Inc. is prohibited. Patent pending and/or patent [www.assaabloyds.com/patents](http://www.assaabloyds.com/patents).

## Lever or Knob x Wrought Escutcheon

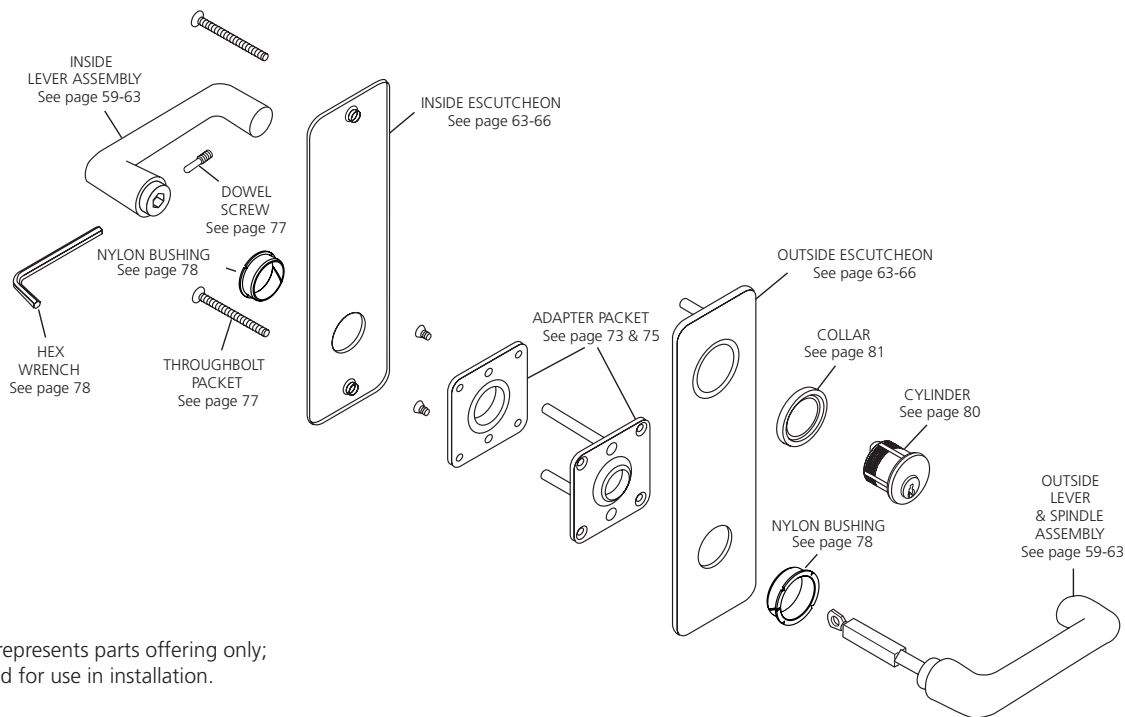


Illustration represents parts offering only; not intended for use in installation.

## Lever or Knob x Cast Escutcheon\*

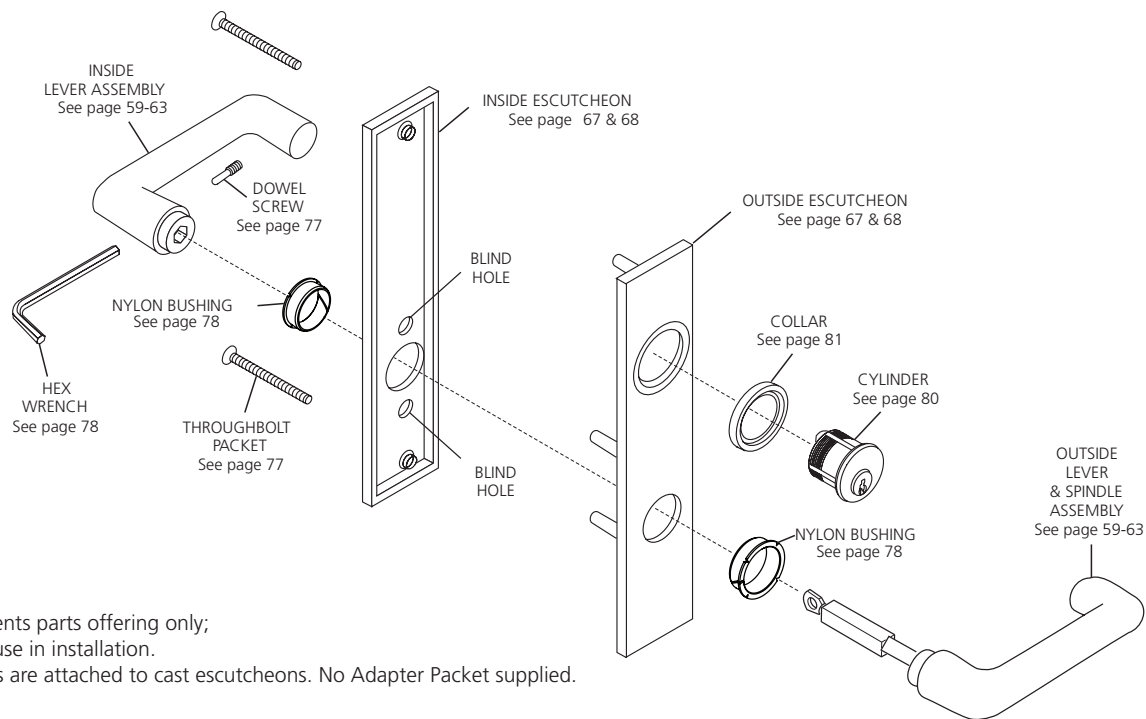


Illustration represents parts offering only; not intended for use in installation.

\*Throughbolt lugs are attached to cast escutcheons. No Adapter Packet supplied.

The warranty on Corbin Russwin products becomes void if the product is modified in any way, regardless of whether the modifications causes or contributes to any alleged defect. If a Corbin Russwin product is modified it may no longer meet industry certification and quality control standards applicable to the original product and is no longer a genuine Corbin Russwin product.

Copyright © 2000-2023, ASSA ABLOY Access and Egress Hardware Group, Inc. All rights reserved. Reproduction in whole or in part without the express written permission of ASSA ABLOY Access and Egress Hardware Group, Inc. is prohibited. Patent pending and/or patent [www.assaabloyds.com/patents](http://www.assaabloyds.com/patents).

**Vandal Resistant Lever Trim  
Cast Lever x Cast Escutcheon\***

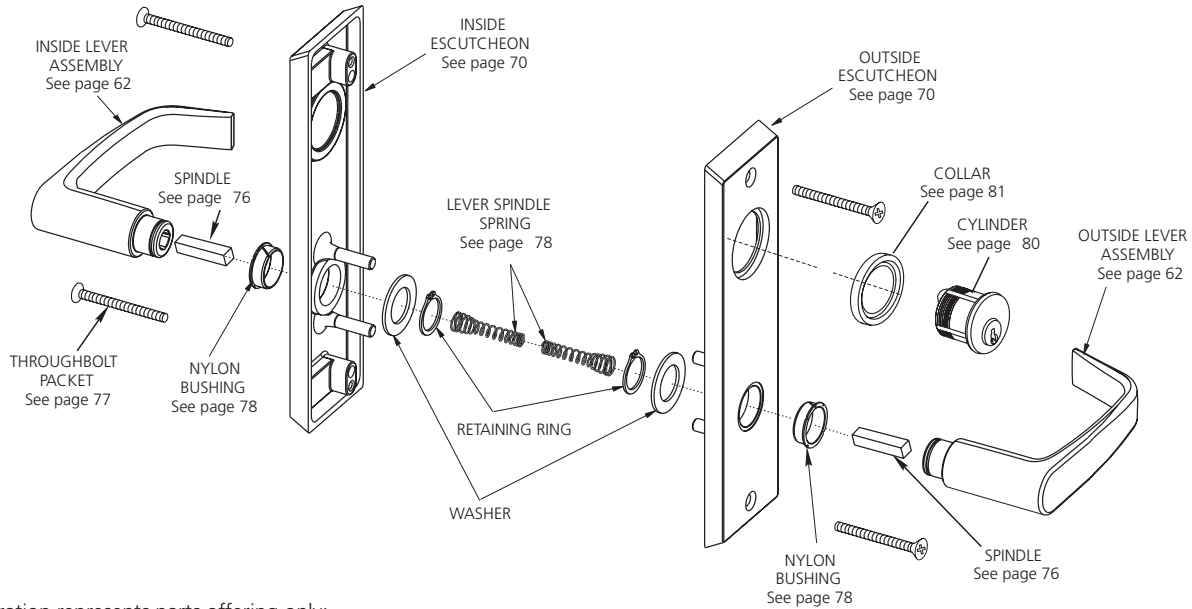


Illustration represents parts offering only; not intended for use in installation.  
\*Throughbolt lugs are attached to cast escutcheons. No Adapter Packet supplied.

**Lever or Knob x Rose**

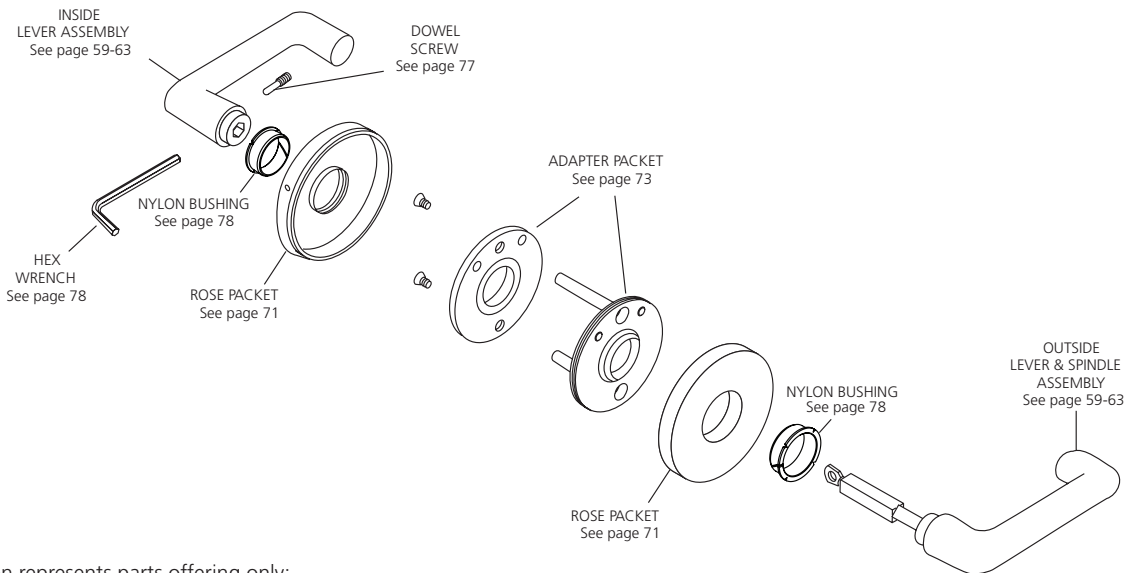


Illustration represents parts offering only; not intended for use in installation.

The warranty on Corbin Russwin products becomes void if the product is modified in any way, regardless of whether the modifications causes or contributes to any alleged defect. If a Corbin Russwin product is modified it may no longer meet industry certification and quality control standards applicable to the original product and is no longer a genuine Corbin Russwin product.

Copyright © 2000-2023, ASSA ABLOY Access and Egress Hardware Group, Inc. All rights reserved. Reproduction in whole or in part without the express written permission of ASSA ABLOY Access and Egress Hardware Group, Inc. is prohibited. Patent pending and/or patent [www.assaabloyds.com/patents](http://www.assaabloyds.com/patents).

## Half Trim – Lever or Knob x Escutcheon

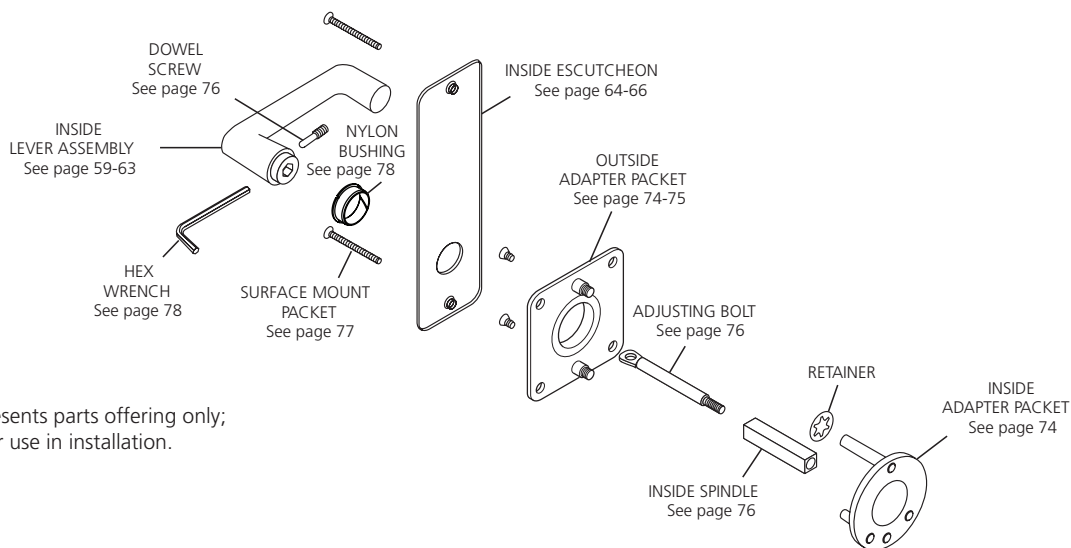


Illustration represents parts offering only; not intended for use in installation.

## Half Trim – Lever or Knob x Rose

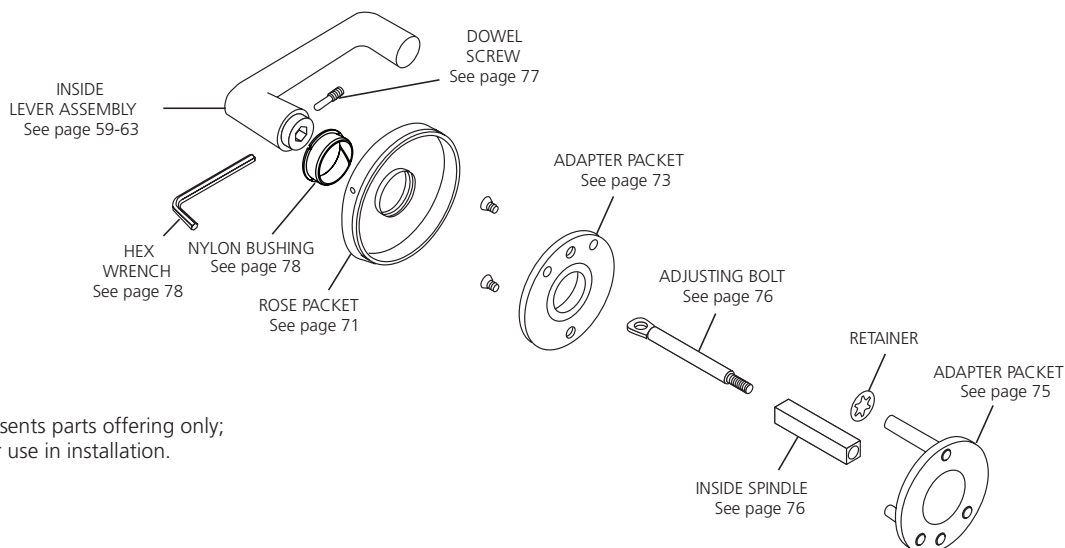


Illustration represents parts offering only; not intended for use in installation.

The warranty on Corbin Russwin products becomes void if the product is modified in any way, regardless of whether the modifications causes or contributes to any alleged defect. If a Corbin Russwin product is modified it may no longer meet industry certification and quality control standards applicable to the original product and is no longer a genuine Corbin Russwin product.

Copyright © 2000-2023, ASSA ABLOY Access and Egress Hardware Group, Inc. All rights reserved. Reproduction in whole or in part without the express written permission of ASSA ABLOY Access and Egress Hardware Group, Inc. is prohibited. Patent pending and/or patent [www.assaabloyds.com/patents](http://www.assaabloyds.com/patents).



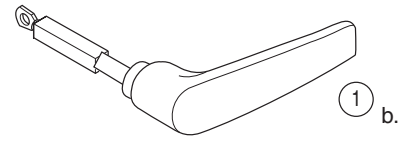
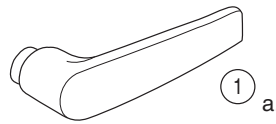


### Inside

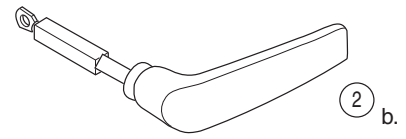
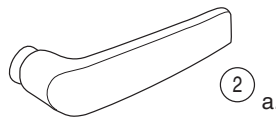
(Note: All inside levers come complete with dowel screws 483F30)

### Outside

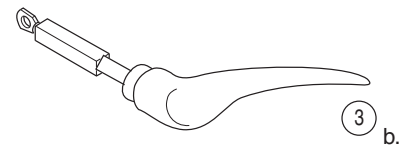
**AS - Armstrong (Cast)**



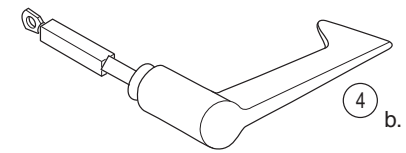
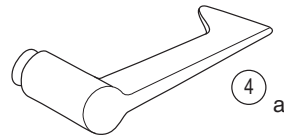
**CS - Citation (Cast)**



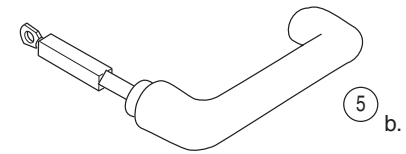
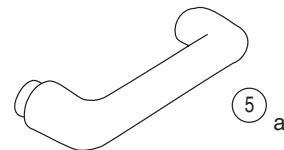
**DS - Dirke (Cast)  
Handed**



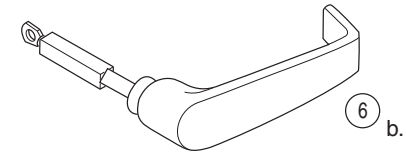
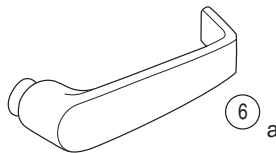
**ES - Essex (Cast)**



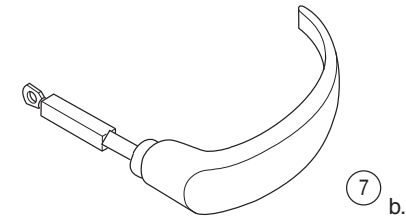
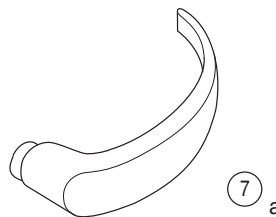
**LS - Lustra (Cast)  
LW - Lustra (Wrought)**



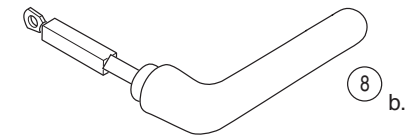
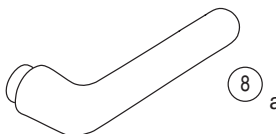
**NS - Newport (Cast)**



**PS - Princeton (Cast)**



**RS - Regis (Cast)  
RW - Regis (Wrought)**



The warranty on Corbin Russwin products becomes void if the product is modified in any way, regardless of whether the modifications causes or contributes to any alleged defect. If a Corbin Russwin product is modified it may no longer meet industry certification and quality control standards applicable to the original product and is no longer a genuine Corbin Russwin product.

Copyright © 2000-2023, ASSA ABLOY Access and Egress Hardware Group, Inc. All rights reserved. Reproduction in whole or in part without the express written permission of ASSA ABLOY Access and Egress Hardware Group, Inc. is prohibited. Patent pending and/or patent [www.assaabloydss.com/patents](http://www.assaabloydss.com/patents).



(Specify Finish)		
Item	Part No.	Description
1		AS - Armstrong (Cast)
A	670F37	Inside Lever
B		Outside Lever & Spindle Assembly
	670F64	for 1-3/8" Door
	670F73	for 1-3/4" Door
	671F09	for 2-1/4" Door
2		CS - Citation (Cast)
A	670F30	Inside Lever
B		Outside Lever & Spindle Assembly
	670F57	for 1-3/8" Door
	670F66	for 1-3/4" Door
	670F02	for 2-1/4" Door
3		DS - Dirke (Cast)
A		Inside Lever for
	670F32	LH/LHR
	670F31	RH/RHR
B		Outside Lever & Spindle Assembly
	670F59	for 1-3/8" Door - RH/RHR
	670F58	for 1-3/8" Door - LH/LHR
	670F68	for 1-3/4" Door - RH/RHR
	670F67	for 1-3/4" Door - LH/LHR
	671F04	for 2-1/4" Door - RH/RHR
	671F03	for 2-1/4" Door - LH/LHR
4		ES - Essex (Cast)
A	670F33	Inside Lever
B		Outside Lever & Spindle Assembly
	670F60	for 1-3/8" Door
	670F69	for 1-3/4" Door
	671F05	for 2-1/4" Door

(Specify Finish)		
Item	Part No.	Description
5		LS - Lustra (Cast)
A	670F34	Inside Lever
		LW - Lustra (Wrought)
	493F31	Inside Lever
B		LS - Lustra (Cast)
		Outside Lever & Spindle Assembly
	670F61	for 1-3/8" Door
	670F70	for 1-3/4" Door
	671F06	for 2-1/4" Door
		LW - Lustra (Wrought)
		Outside Lever & Spindle Assembly
	483F79	for 1-3/8" Door
	483F80	for 1-3/4" Door
	483F81	for 2-1/4" Door
6		NS - Newport (Cast)
A	670F36	Inside Lever
B		Outside Lever & Spindle Assembly
	670F63	for 1-3/8" Door
	670F72	for 1-3/4" Door
	671F08	for 2-1/4" Door
7		PS - Princeton (Cast)
A	670F38	Inside Lever
B		Outside Lever & Spindle Assembly
	670F65	for 1-3/8" Door
	670F74	for 1-3/4" Door
	671F10	for 2-1/4" Door
8		RS - Regis (Cast)
A	670F35	Inside Lever
		RW - Regis (Wrought)
	493F34	Inside Lever
B		RS - Regis (Cast)
		Outside Lever & Spindle Assembly
	670F62	for 1-3/8" Door
	670F71	for 1-3/4" Door
	671F07	for 2-1/4" Door
		RW - Regis (Wrought)
		Outside Lever & Spindle Assembly
	483F82	for 1-3/8" Door
	483F83	for 1-3/4" Door
	483F84	for 2-1/4" Door

The warranty on Corbin Russwin products becomes void if the product is modified in any way, regardless of whether the modifications causes or contributes to any alleged defect. If a Corbin Russwin product is modified it may no longer meet industry certification and quality control standards applicable to the original product and is no longer a genuine Corbin Russwin product.

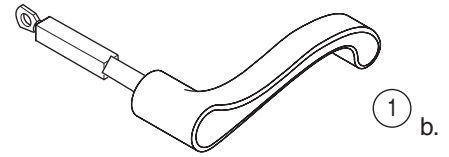
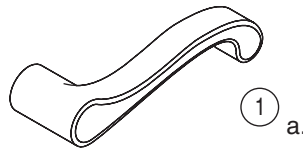
Copyright © 2000-2023, ASSA ABLOY Access and Egress Hardware Group, Inc. All rights reserved. Reproduction in whole or in part without the express written permission of ASSA ABLOY Access and Egress Hardware Group, Inc. is prohibited. Patent pending and/or patent [www.assaabloydss.com/patents](http://www.assaabloydss.com/patents).



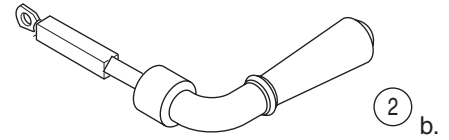
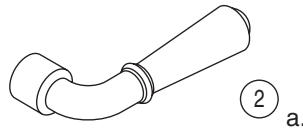
**Inside**  
(Note: All inside levers come complete with dowel screws 483F30)

**Outside**

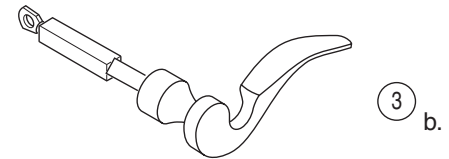
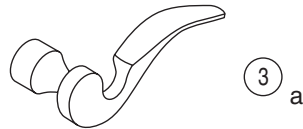
**F - Frascati (Cast)**



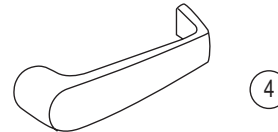
**M - Merlot (Cast)**



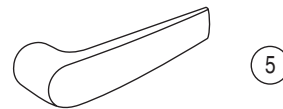
**Z - Zinfandel (Cast)**



**NS - Newport  
(Cast stainless steel)  
(Vandal Resistant)**



**CS - Citation  
(Cast stainless steel)  
(Vandal Resistant)**



(Specify Finish)

Item	Part No.	Description
1 A	692F63	FS - Frascati (Cast) Inside Lever for LH/LHR Door
	692F64	RH/RHR Door
B	692F75	Outside Lever & Spindle Assembly for 1-3/4" Door - RH/RHR Door
	692F76	for 1-3/4" Door - LH/LHR Door
	692F69	for 1-3/8" Door - RH/RHR Door
	692F70	for 1-3/8" Door - LH/LHR Door
	692F35	for 2-1/4" Door - RH/RHR Door
	692F36	for 2-1/4" Door - LH/LHR Door
2 A	692F65	MS - Merlot (Cast) Inside Lever Outside Lever & Spindle Assembly
	692F93	for 1-3/4" Door
B	692F71	for 1-3/8" Door
	692F37	for 2-1/4" Door

(Specify Finish)

Item	Part No.	Description
3 A	692F66	ZS - Zinfandel (Cast) Inside Lever for LH/LHR Door
	692F67	RH/RHR Door
B	692F94	Outside Lever & Spindle Assembly for 1-3/4" Door - RH/RHR Door
	692F95	for 1-3/4" Door - LH/LHR Door
	692F72	for 1-3/8" Door - RH/RHR Door
	692F73	for 1-3/8" Door - LH/LHR Door
	693F38	for 2-1/4" Door - RH/RHR Door
	693F39	for 2-1/4" Door - LH/LHR Door
4	700F55	NS - Newport Vandal Resistant (Cast Stainless Steel) Inside & Outside Lever for 1 3/4 - 2 1/4" Door
5	700F59	CS - Citation Vandal Resistant (Cast Stainless Steel) Inside & Outside Lever for 1 3/4 - 2 1/4" Door

The warranty on Corbin Russwin products becomes void if the product is modified in any way, regardless of whether the modifications causes or contributes to any alleged defect. If a Corbin Russwin product is modified it may no longer meet industry certification and quality control standards applicable to the original product and is no longer a genuine Corbin Russwin product.

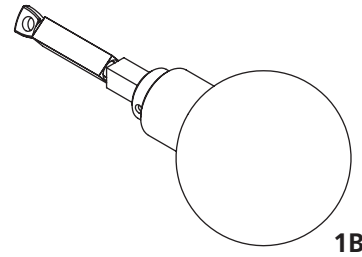
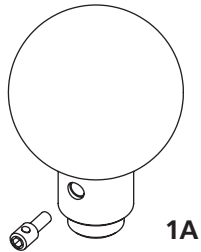
Copyright © 2000-2023, ASSA ABLOY Access and Egress Hardware Group, Inc. All rights reserved. Reproduction in whole or in part without the express written permission of ASSA ABLOY Access and Egress Hardware Group, Inc. is prohibited. Patent pending and/or patent [www.assaabloydss.com/patents](http://www.assaabloydss.com/patents).

### Inside

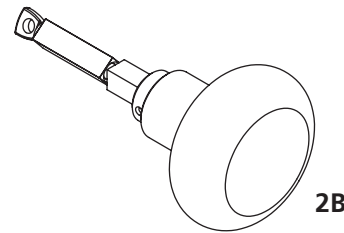
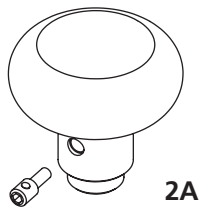
(Note: All inside knobs come complete with dowel screws 483F30)

### Outside

#### GZ - Global Knob



#### YZ - Yankee Knob



(Specify Finish)

ITEM	PART NO.	DESCRIPTION
1		GZ - Global
A	854F04	Inside Knob Assembly
B		Outside Knob & Spindle Assembly
	854F00	for 1-3/8" Door
	854F01	for 1-3/4" Door
	854F03	for 2-1/4" Door

(Specify Finish)

ITEM	PART NO.	DESCRIPTION
2		YZ - Yankee
A	854F09	Inside Knob Assembly
B		Outside Knob & Spindle Assembly
	854F05	for 1-3/8" Door
	854F06	for 1-3/4" Door
	854F08	for 2-1/4" Door

The warranty on Corbin Russwin products becomes void if the product is modified in any way, regardless of whether the modifications causes or contributes to any alleged defect. If a Corbin Russwin product is modified it may no longer meet industry certification and quality control standards applicable to the original product and is no longer a genuine Corbin Russwin product.

Copyright © 2000-2023, ASSA ABLOY Access and Egress Hardware Group, Inc. All rights reserved. Reproduction in whole or in part without the express written permission of ASSA ABLOY Access and Egress Hardware Group, Inc. is prohibited. Patent pending and/or patent [www.assaabloydss.com/patents](http://www.assaabloydss.com/patents).



### Georgia, Laszlo, Jackson, Salvador, Marc, Josef & Georges Levers (Specify Finish)

LEVER DESIGN	HAND	PART NO. INSIDE LEVER	PART NO. OUTSIDE LEVER
102		803F61	800F06
103		803F62	800F11
104		803F63	800F16
105		803F64	800F21
106		803F65	800F26
107		803F66	800F31
108		803F67	800F36
109		803F68	800F41
110		803F69	800F46
111	Right	803F70	800F51
	Left	803F71	800F56
112	Right	803F72	800F61
	Left	803F73	800F66
114	Right	803F76	802F61
	Left	803F77	802F66
115	Right	803F78	802F71
	Left	803F79	802F76
116	Right	803F80	802F76
	Left	803F81	801F06
117		803F82	801F11
119	Right	803F85	801F26
	Left	803F86	801F31
121	Right	803F88	801F41
	Left	803F89	801F46
123		803F92	801F61
124		803F93	801F71
125		803F94	801F76
126	Right	803F95	801F81
	Left	803F96	801F86
127	Right	803F97	801F91
	Left	803F98	801F96
128		803F99	802F01
130	Right	804F01	802F11
	Left	804F02	802F16
131	Right	804F03	802F21
	Left	804F04	802F26
132	Right	804F05	802F31
	Left	804F06	802F36
133		819F52	819F50
134		819F55	819F53
135		819F85	819F83
136		819F88	819F86
137		819F91	819F89
138		919F94	819F92
139		819F64	819F62
140	Right	819F69	819F65
	Left	819F70	819F66
141		819F73	819F71
142		819F76	819F74
143		819F79	819F77
147		854F93	854F91
148		854F97	854F95
149		855F01	854F99
150		857F97	857F95

### Piet Levers (Specify Finish)

LEVER DESIGN	FINISH CODE	PART NO. INSIDE LEVER	PART NO. OUTSIDE LEVER
21G	303030	804F927-32D	804F907-32D
	292929	802F477-32	802F457-32
	293029	803F577-32	803F557-32
	302930	804F977-32D	804F957-32D
	3E003E	804F927-10BE	804F907-10BE
	B500BS	804F927-BSP	804F907-BSP
	WS00WS	804F927-WSP	804F907-WSP
	30BK30	802F837-32D	802F817-32D
	30BN30	802F887-32D	802F867-32D
21L	29BK29	802F937-32	802F917-32
	29BN29	802F987-32	802F967-32
	3EBK3E	802F837-10BE	802F817-10BE
	BSBKBS	802F887-BSP	802F867-BSP
	WSBKWS	802F837-WSP	802F817-WSP
	3EBN3E	802F887-10BE	802F867-10BE
	BSBNBS	802F837-BSP	802F817-BSP
	WSBNWS	802F887-WSP	802F867-WSP
	293029	803F037-32	803F017-32
21M	303030	803F037-32D	803F017-32D
	30BK30	803F087-32D	803F067-32D
21S	29BK29	803F137-32	803F117-32
	3E003E	803F087-10BE	803F067-10BE
	B500BS	803F087-BSP	803F067-BSP
	WS00WS	803F087-WSP	803F067-WSP
23M	290030	803F287-32	803F267-32
	290029	803F337-32	803F417-32
	300030	803F387-32D	803F467-32D
	300029	803F537-32D	803F517-32D
	3E003E	803F287-10BE	803F267-10BE
	B500BS	803F287-BSP	803F267-BSP
	WS00WS	803F287-WSP	803F267-WSP
25M	290029	803F437-32	803F317-32
	300030	803F487-32D	803F367-32D
	3E003E	803F487-10BE	803F367-10BE
	B500BS	803F487-BSP	803F367-BSP
27M	WS00WS	803F487-WSP	803F367-WSP
	290029	804F847-32	804F827-32
	300030	804F887-32D	804F867-32D
	3E003E	804F887-10BE	804F867-10BE
	B500BS	804F887-BSP	804F867-BSP
	WS00WS	804F887-WSP	804F867-WSP

Notes:

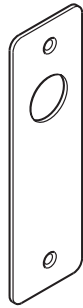
- Full escutcheon trim uses two outside levers (one of each hand if lever design is handed).
- Full dummy sectional/rose trim uses two inside levers, all other sectional/rose trim uses one inside and one outside lever.

The warranty on Corbin Russwin products becomes void if the product is modified in any way, regardless of whether the modifications causes or contributes to any alleged defect. If a Corbin Russwin product is modified it may no longer meet industry certification and quality control standards applicable to the original product and is no longer a genuine Corbin Russwin product.

Copyright © 2000-2023, ASSA ABLOY Access and Egress Hardware Group, Inc. All rights reserved. Reproduction in whole or in part without the express written permission of ASSA ABLOY Access and Egress Hardware Group, Inc. is prohibited. Patent pending and/or patent [www.assaabloydss.com/patents](http://www.assaabloydss.com/patents).



**1**  
Inside  
Blank



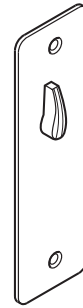
**2**  
Inside For Cylin-  
der Only



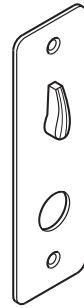
**3**  
Inside For Grip  
Only



**4**  
Inside For  
Cylinder & Grip



**5**  
Inside For  
Thumbturn Lever  
Only



**6**  
Inside For  
Thumbturn Lever  
& Grip



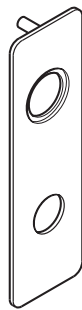
**7**  
Outside  
Blank



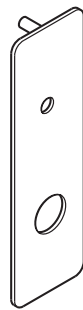
**8**  
Outside  
For Cylinder Only



**9**  
Outside  
For Grip Only



**10**  
Outside  
For Cylinder  
& Grip



**11**  
Outside  
For Grip &  
Emergency Key

**7-1/2" x 2-1/4" Wrought (Specify Finish)**

Item	Part No.	Description
1	545F45	Inside - Blank
2	545F00	Inside - for Cylinder Only
3	544F95	Inside - for Grip Only
4	544F96	Inside - for Cylinder and Grip
5		Inside - for Thumbturn Lever Only
	545F42	for 1-3/8" Door
	545F43	for 1-3/4" Door
	545F44	for 2-1/4" Door
	707F79	for 1-3/8" Door (M34 Option)
	707F80	for 1-3/4" - 2" Door (M34 Option)
	707F81	for 2-1/4" Door (M34 Option)

**7-1/2" x 2-1/4" Wrought (Specify Finish)**

Item	Part No.	Description
6		Inside - for Thumbturn Lever & Grip
	544F97	for 1-3/8" Door
	544F98	for 1-3/4" Door
	544F99	for 2-1/4" Door
	707F74	for 1-3/8" Door (M34 Option)
	707F75	for 1-3/4" - 2" Door (M34 Option)
	707F76	for 2-1/4" Door (M34 Option)
7	383F82	Outside - Blank
8	488F07	Outside - for Cylinders Only
9	488F04	Outside - for Grip Only
10	488F05	Outside - for Cylinder and Grip
11	544F94	Outside - for Grip & Emergency Key

The warranty on Corbin Russwin products becomes void if the product is modified in any way, regardless of whether the modifications causes or contributes to any alleged defect. If a Corbin Russwin product is modified it may no longer meet industry certification and quality control standards applicable to the original product and is no longer a genuine Corbin Russwin product.

Copyright © 2000-2023, ASSA ABLOY Access and Egress Hardware Group, Inc. All rights reserved. Reproduction in whole or in part without the express written permission of ASSA ABLOY Access and Egress Hardware Group, Inc. is prohibited. Patent pending and/or patent [www.assaabloydss.com/patents](http://www.assaabloydss.com/patents).



**1**  
Inside  
Blank



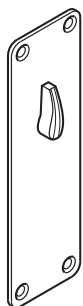
**2**  
Inside or  
Outside For Cylinder Only



**3**  
Inside or  
Outside  
For Grip Only



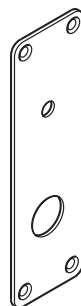
**4**  
Inside or  
Outside For Cylinder & Grip



**5**  
Inside For  
Thumbturn  
Lever Only



**6**  
Inside For  
Thumbturn  
Lever & Grip



**7**  
Outside  
For Grip &  
Emergency Key

**7-1/2" x 2-1/4" Wrought (Specify Finish)**

Item	Part No.	Description
1	544F93	Inside or Outside - Blank
2	544F80	Inside or Outside - for Cylinder Only
3	544F76	Inside or Outside - for Grip Only
4	544F77	Inside or Outside - for Cylinder and Grip
5		Inside - for Thumbturn Lever Only
	544F92	for 1-3/8" Door
	544F89	for 1-3/4" Door
	544F91	for 2-1/4" Door
	707F89	for 1-3/8" Door (M34 Option)
	707F90	for 1-3/4" - 2" Door (M34 Option)
	707F91	for 2-1/4" Door (M34 Option)

**7-1/2" x 2-1/4" Wrought (Specify Finish)**

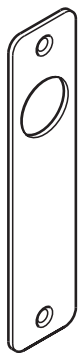
Item	Part No.	Description
6		Inside - for Thumbturn Lever & Grip
	544F88	for 1-3/8" Door
	544F85	for 1-3/4" Door
	544F87	for 2-1/4" Door
	707F84	for 1-3/8" Door (M34 Option)
	707F85	for 1-3/4" - 2" Door (M34 Option)
	707F86	for 2-1/4" Door (M34 Option)
7	544F79	Outside - for Grip & Emergency Key

The warranty on Corbin Russwin products becomes void if the product is modified in any way, regardless of whether the modifications causes or contributes to any alleged defect. If a Corbin Russwin product is modified it may no longer meet industry certification and quality control standards applicable to the original product and is no longer a genuine Corbin Russwin product.

Copyright © 2000-2023, ASSA ABLOY Access and Egress Hardware Group, Inc. All rights reserved. Reproduction in whole or in part without the express written permission of ASSA ABLOY Access and Egress Hardware Group, Inc. is prohibited. Patent pending and/or patent [www.assaabloydss.com/patents](http://www.assaabloydss.com/patents).



**1**  
Inside  
Blank



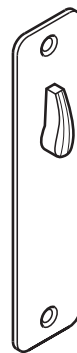
**2**  
Inside  
For Cylinder Only



**3**  
Inside  
For Grip Only



**4**  
Inside  
For Cylinder  
& Grip



**5**  
Inside For  
Thumbturn Lever  
Only



**6**  
Inside For  
Thumbturn Lever  
& Grip



**7**  
Outside  
Blank



**8**  
Outside  
For Cylinder Only



**9**  
Outside  
For Grip Only



**10**  
Outside  
For Cylinder  
& Grip



**11**  
Outside  
For Grip &  
Emergency Key

**7" x 1-5/8" Wrought (Specify Finish)**

Item	Part No.	Description
1	544F46	Inside - Blank
2	544F43	Inside - for Cylinder Only
3	544F39	Inside - for Grip Only
4	544F40	Inside - for Cylinder and Grip
5		Inside - for Thumbturn Lever Only
	544F14	for 1-3/8" Door
	544F45	for 1-3/4" Door
	544F44	for 2-1/4" Door
	709F05	for 1-3/8" Door (M34 Option)
	709F06	for 1-3/4" - 2" Door (M34 Option)
	709F07	for 2-1/4" Door (M34 Option)

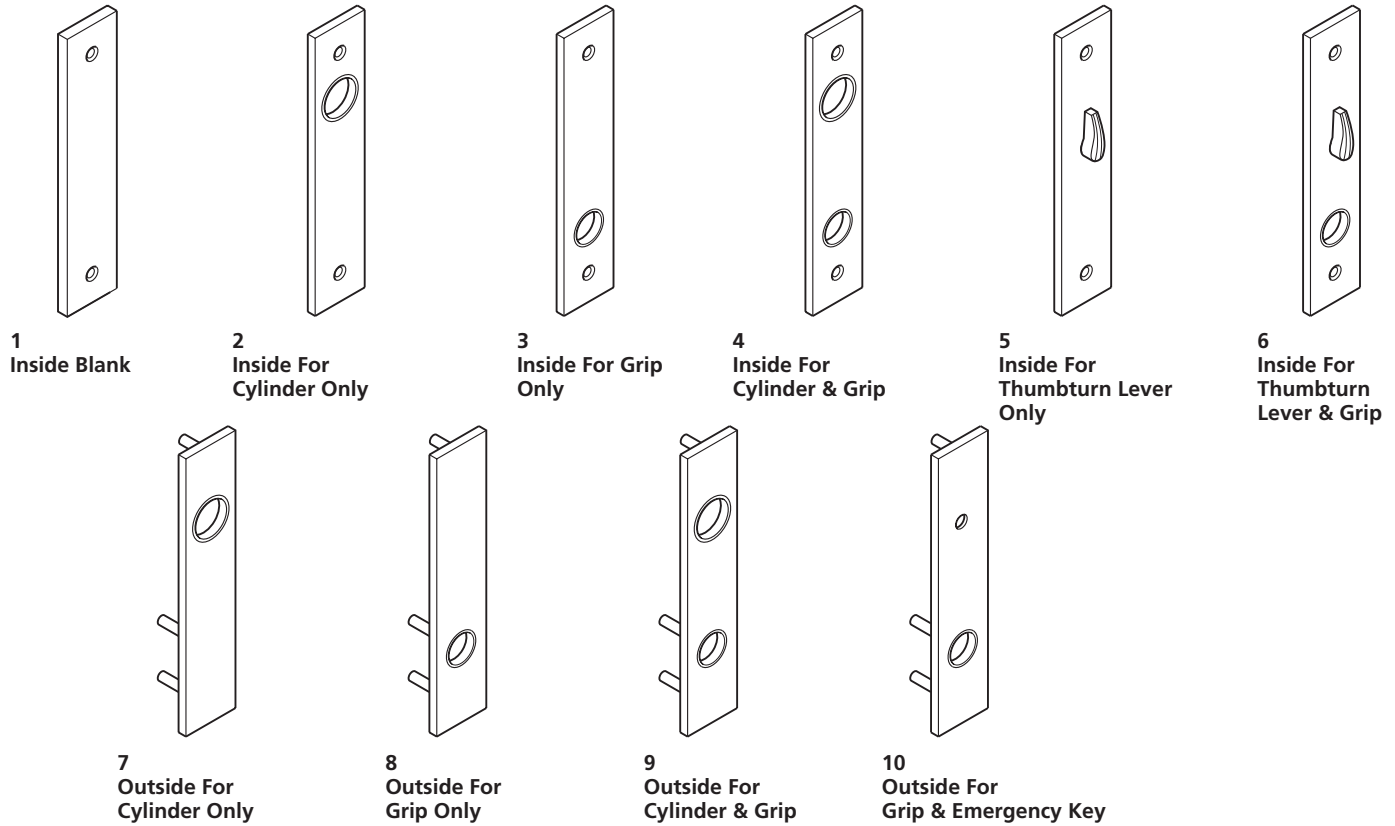
**7" x 1-5/8" Wrought (Specify Finish)**

Item	Part No.	Description
6		Inside - for Thumbturn Lever & Grip
	544F13	for 1-3/8" Door
	544F42	for 1-3/4" Door
	544F41	for 2-1/4" Door
	709F00	for 1-3/8" Door (M34 Option)
	709F01	for 1-3/4" - 2" Door (M34 Option)
	709F02	for 2-1/4" Door (M34 Option)
7	384F11	Outside - Blank
8	488F03	Outside - for Cylinder Only
9	488F00	Outside - for Grip Only
10	488F01	Outside - for Cylinder & Grip
11	544F38	Outside - for Grip & Emergency Key

The warranty on Corbin Russwin products becomes void if the product is modified in any way, regardless of whether the modifications causes or contributes to any alleged defect. If a Corbin Russwin product is modified it may no longer meet industry certification and quality control standards applicable to the original product and is no longer a genuine Corbin Russwin product.

Copyright © 2000-2023, ASSA ABLOY Access and Egress Hardware Group, Inc. All rights reserved. Reproduction in whole or in part without the express written permission of ASSA ABLOY Access and Egress Hardware Group, Inc. is prohibited. Patent pending and/or patent [www.assaabloydss.com/patents](http://www.assaabloydss.com/patents).





**8-1/2" x 1-3/4" Cast (Specify Finish)**

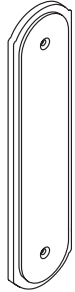
Item	Part No.	Description
1	545F79	Inside - Blank
2	545F88	Inside - for Cylinder Only
3		Inside - for Grip Only
	545F87	Standard
	807F90	Muséo Option
4		Inside - for Cylinder and Grip
	545F80	Standard
	807F91	Muséo Option
5		Inside - for Thumbturn Lever Only
	545F84	for 1-3/8" Door
	545F85	for 1-3/4" Door
	545F86	for 2-1/4" Door
	709F33	for 1-3/8" Door (M34 Option)
	709F34	for 1-3/4" - 2" Door (M34 Option)
	709F35	for 2-1/4" Door (M34 Option)
6		Inside - for Thumbturn Lever & Grip
	545F81	for 1-3/8" Door
	545F82	for 1-3/4" Door
	545F83	for 2-1/4" Door
	709F30	for 1-3/8" Door (M34 Option)
	709F31	for 1-3/4" - 2" Door (M34 Option)
	709F32	for 2-1/4" Door (M34 Option)
	807F92	for 1-3/4" (Muséo Option with Standard Thumbturn)
	807F93	for 2" (Muséo Option with Standard Thumbturn)
	807F94	for 2-1/4" (Muséo Option with Standard Thumbturn)
	807F95	for 1-3/4" - 2" (Muséo Option with M34 Ergo Thumbturn)
	807F96	for 2-1/4" (Muséo Option with M34 Ergo Thumbturn)

**8-1/2" x 1-3/4" Cast (Specify Finish)**

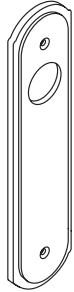
Item	Part No.	Description
7		Outside - for Cylinder Only
	427F44	for 1-3/8" Door
	427F45	for 1-3/4" Door
	485F77	for 2-1/4" Door
8		Outside - For Grip Only
	427F42	for 1-3/8" Door
	427F43	for 1-3/4" Door
	485F76	for 2-1/4" Door
	807F97	for 1-3/4" Door (Muséo Option)
	807F98	for 2" Door (Muséo Option)
	807F99	for 2-1/4" Door (Muséo Option)
9		Outside - For Cylinder and Grip
	427F38	for 1-3/8" Door
	427F39	for 1-3/4" Door
	485F75	for 2-1/4" Door
	808F03	for 1-3/4" Door (Muséo Option)
	808F04	for 2" Door (Muséo Option)
	808F05	for 2-1/4" Door (Muséo Option)
10		Outside - for Grip & Emergency Key
	427F46	for 1-3/8" Door
	427F47	for 1-3/4" Door
	485F78	for 2-1/4" Door
	808F00	for 1-3/4" Door (Muséo Option)
	808F01	for 2" Door (Muséo Option)
	808F02	for 2-1/4" Door (Muséo Option)

The warranty on Corbin Russwin products becomes void if the product is modified in any way, regardless of whether the modifications causes or contributes to any alleged defect. If a Corbin Russwin product is modified it may no longer meet industry certification and quality control standards applicable to the original product and is no longer a genuine Corbin Russwin product.

Copyright © 2000-2023, ASSA ABLOY Access and Egress Hardware Group, Inc. All rights reserved. Reproduction in whole or in part without the express written permission of ASSA ABLOY Access and Egress Hardware Group, Inc. is prohibited. Patent pending and/or patent [www.assaabloyds.com/patents](http://www.assaabloyds.com/patents).



**1**  
Inside  
Blank



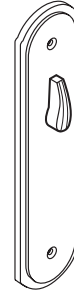
**2**  
Inside For  
Cylinder  
Only



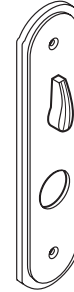
**3**  
Inside For  
Grip Only



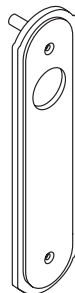
**4**  
Inside For  
Cylinder &  
Grip



**5**  
Inside For  
Thumbturn  
Lever Only



**6**  
Inside For  
Thumbturn  
Lever & Grip



**7**  
Outside For  
Cylinder  
Only



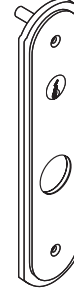
**8**  
Outside For  
Grip Only



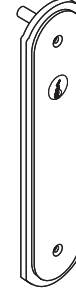
**9**  
Outside For  
Cylinder &  
Grip



**10**  
Outside For Grip  
& Emergency  
Key



**11**  
Outside  
For Grip  
& Plug



**12**  
Outside For  
Plug Only

**9-3/16" x 2-3/16" Cast (Specify Finish)**

Item	Part No.	Description
1	692F86	Inside - Blank
2	694F32	Inside - for Cylinder Only
3	694F31	Standard
	807F50	Muséo Option
4	694F33	Standard
	807F51	Muséo Option
5	694F34	Inside - for Thumbturn Lever Only for 1-3/8" Door
	694F35	for 1-3/4" Door
	694F36	for 2" Door
	694F37	for 2-1/4" Door
	709F13	for 1-3/8" Door (M34 Option)
	709F14	for 1-3/4" Door (M34 Option)
	709F15	for 2-1/4" Door (M34 Option)

**9-3/16" x 2-3/16" Cast (Specify Finish)**

Item	Part No.	Description
6	694F38	Inside - for Thumbturn Lever & Grip for 1-3/8" Door
	694F39	for 1-3/4" Door
	694F40	for 2" Door
	694F41	for 2-1/4" Door
	709F10	for 1-3/8" Door (M34 Option)
	709F11	for 1-3/4" Door (M34 Option)
	709F12	for 2-1/4" Door (M34 Option)
	807F52	for 1-3/4" (Muséo Option with Standard Thumbturn)
	807F53	for 2" (Muséo Option with Standard Thumbturn)
	807F54	for 2-1/4" (Muséo Option with Standard Thumbturn)
7	807F55	for 1-3/4" - 2" (Muséo Option with M34 Ergo Thumbturn)
	807F56	for 2-1/4" (Muséo Option with M34 Ergo Thumbturn)
	694F51	Outside - for Cylinder Only for 1-3/8" Door
	694F52	for 1-3/4" Door
	694F53	for 2" Door
	694F54	for 2-1/4" Door

The warranty on Corbin Russwin products becomes void if the product is modified in any way, regardless of whether the modifications causes or contributes to any alleged defect. If a Corbin Russwin product is modified it may no longer meet industry certification and quality control standards applicable to the original product and is no longer a genuine Corbin Russwin product.

Copyright © 2000-2023, ASSA ABLOY Access and Egress Hardware Group, Inc. All rights reserved. Reproduction in whole or in part without the express written permission of ASSA ABLOY Access and Egress Hardware Group, Inc. is prohibited. Patent pending and/or patent [www.assaabloydss.com/patents](http://www.assaabloydss.com/patents).

## 9-3/16" x 2-3/16" Cast (Specify Finish)

Item	Part No.	Description
8		Outside - for Grip Only
	694F43	for 1-3/8" Door
	694F44	for 1-3/4" Door
	694F45	for 2" Door
	694F46	for 2-1/4" Door
	807F57	for 1-3/4" Door (Muséo Option)
	807F58	for 2" Door (Muséo Option)
	807F59	for 2-1/4" Door (Muséo Option)
9		Outside - for Cylinder & Grip
	694F55	for 1-3/8" Door
	694F56	for 1-3/4" Door
	694F57	for 2" Door
	694F58	for 2-1/4" Door
	807F63	for 1-3/4" Door (Muséo Option)
	807F64	for 2" Door (Muséo Option)
	807F65	for 2-1/4" Door (Muséo Option)
10		Outside - for Grip & Emergency Key
	694F47	for 1-3/8" Door
	694F48	for 1-3/4" Door
	694F49	for 2" Door
	694F50	for 2-1/4" Door
	807F60	for 1-3/4" Door (Muséo Option)
	807F61	for 2" Door (Muséo Option)
	807F62	for 2-1/4" Door (Muséo Option)

## 9-3/16" x 2-3/16" Cast (Specify Finish)

Item	Part No.	Description
11		Outside - for Grip & Plug
	694F67	for 1-3/8" Door
	694F68	for 1-3/4" Door
	694F69	for 2" Door
	694F70	for 2-1/4" Door
12		Outside - for Plug Only
	694F63	for 1-3/8" Door
	694F64	for 1-3/4" Door
	694F65	for 2" Door
	694F66	for 2-1/4" Door

The warranty on Corbin Russwin products becomes void if the product is modified in any way, regardless of whether the modifications causes or contributes to any alleged defect. If a Corbin Russwin product is modified it may no longer meet industry certification and quality control standards applicable to the original product and is no longer a genuine Corbin Russwin product.

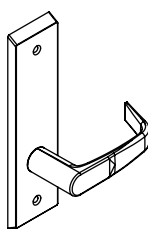
Copyright © 2000-2023, ASSA ABLOY Access and Egress Hardware Group, Inc. All rights reserved. Reproduction in whole or in part without the express written permission of ASSA ABLOY Access and Egress Hardware Group, Inc. is prohibited. Patent pending and/or patent [www.assaabloydss.com/patents](http://www.assaabloydss.com/patents).



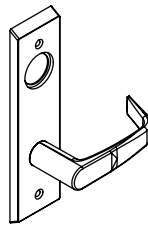
**1**  
Inside  
Blank



**2**  
Inside For  
Cylinder Only



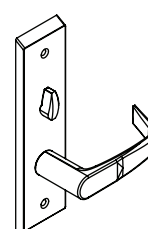
**3**  
Inside For Grip  
Only



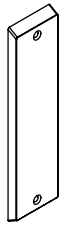
**4**  
Inside For  
Cylinder &  
Grip



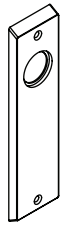
**5**  
Inside For  
Thumbturn  
Lever Only



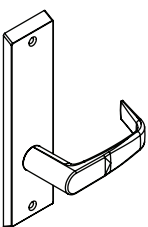
**6**  
Inside For  
Thumbturn  
Lever & Grip



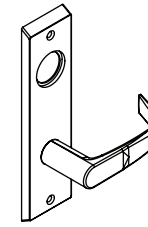
**7**  
Outside  
Blank



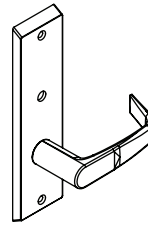
**8**  
Outside For  
Cylinder Only



**9**  
Outside For  
Grip Only



**10**  
Outside For  
Cylinder & Grip



**11**  
Outside For  
Grip &  
Emergency Key

**8-1/2" x 2-1/8" Cast (Specify Finish)**

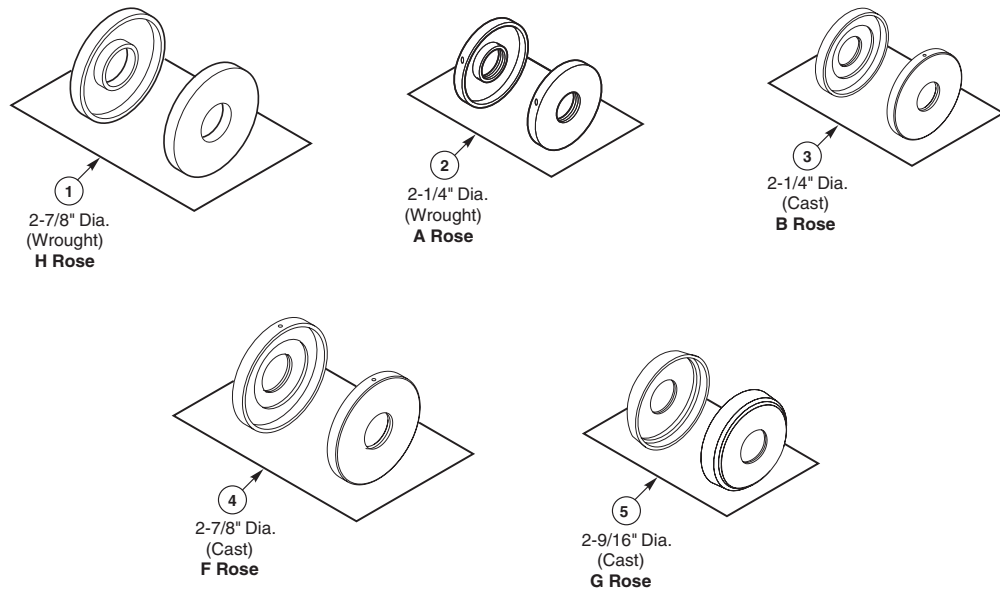
Item	Part No.	Description
1	700F40	Inside - Blank
2	702F06	Inside - for Cylinder Only Standard
	702F17	7P & C6
3	702F00	Inside - for Grip Only Newport Lever
	702F01	Citation Lever
4	702F03	Inside - for Cylinder and Grip Newport Lever
	702F04	Citation Lever
	702F14	Newport Lever (7P & C6)
	702F15	Citation Lever (7P & C6)
5	702F10	Inside - for Thumbturn Lever Only Standard
	707F71	M34 Option
6	702F07	Inside - for Thumbturn Lever and Grip Newport Lever
	702F08	Citation Lever
	707F69	Newport Lever (M34 Option)
	707F70	Citation Lever (M34 Option)

**8-1/2" x 2-1/8" Cast (Specify Finish)**

Item	Part No.	Description
7	700F80	Outside - Blank
8	702F24	Outside - for Cylinder Only Standard
	702F31	7P & C6
9	702F18	Outside - for Grip Only Newport Lever
	702F19	Citation Lever
10	702F21	Outside - for Cylinder & Grip Newport Lever
	702F22	Citation Lever
	702F28	Newport Lever (7P & C6)
	702F29	Citation Lever (7P & C6)
11	702F59	Outside - for Grip & Emergency Key Newport Lever
	702F60	Citation Lever

The warranty on Corbin Russwin products becomes void if the product is modified in any way, regardless of whether the modifications causes or contributes to any alleged defect. If a Corbin Russwin product is modified it may no longer meet industry certification and quality control standards applicable to the original product and is no longer a genuine Corbin Russwin product.

Copyright © 2000-2023, ASSA ABLOY Access and Egress Hardware Group, Inc. All rights reserved. Reproduction in whole or in part without the express written permission of ASSA ABLOY Access and Egress Hardware Group, Inc. is prohibited. Patent pending and/or patent [www.assaabloydss.com/patents](http://www.assaabloydss.com/patents).

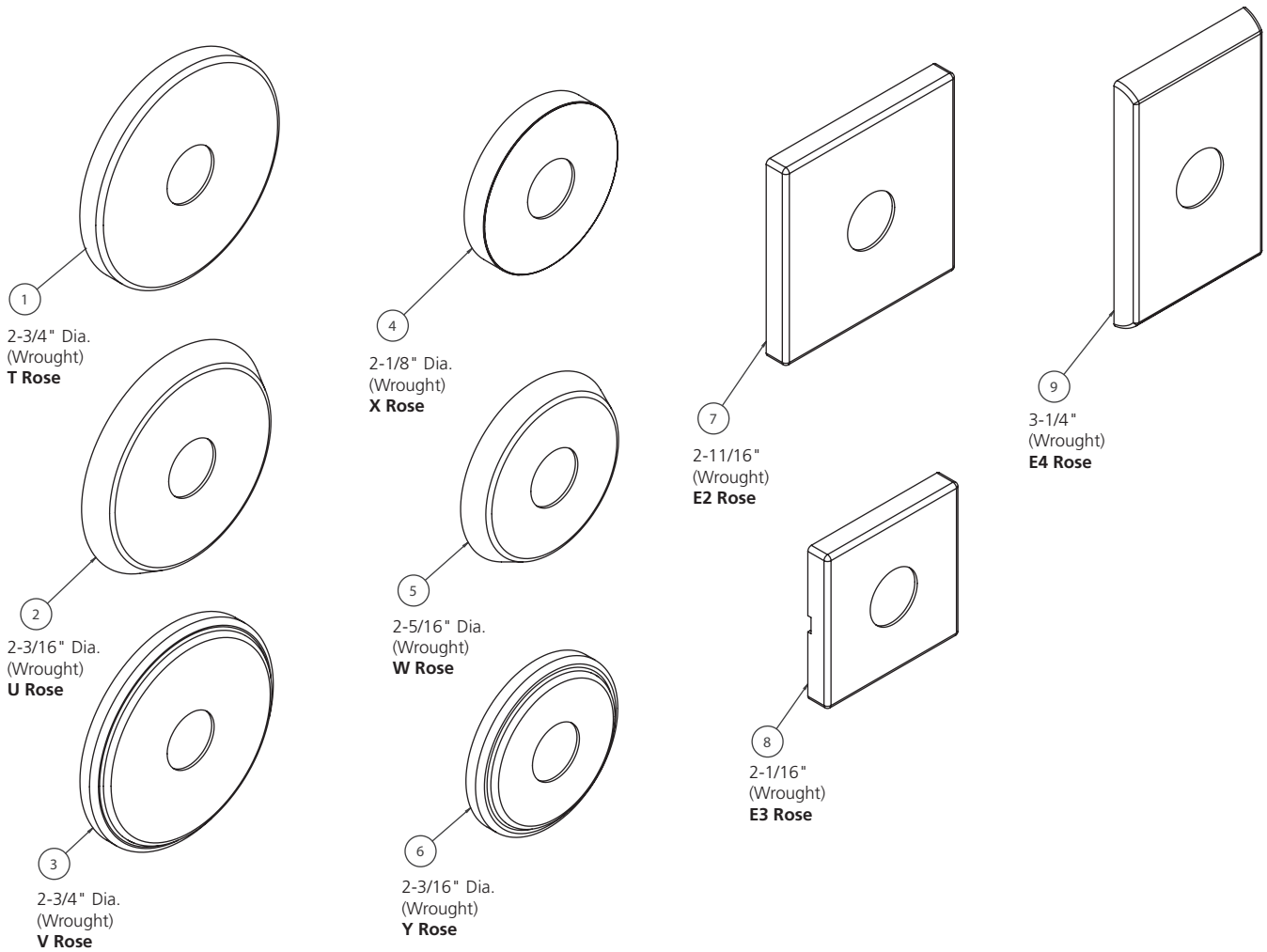


**(Specify Finish)**

Item	Part No.	Description
1	852F39	Wrought Rose Packet, containing: (Qty. 2) 2-7/8 " Dia. Roses (H Roses)
2	487F08	Wrought Rose Packet, containing: (Qty. 2) 2-1/4 " Dia. Roses (A Roses)
3	447F25	Cast Rose Packet, containing: (Qty. 2) 2-1/4 " Dia. Roses (B Roses)
4	447F24	Cast Rose Packet, containing: (Qty. 2) 2-7/8 " Dia. Roses (F Roses)
5	694F80	Cast Rose Packet, containing: (Qty. 2) 2-9/16 " Dia. Vineyard Collection Roses (G Roses)

The warranty on Corbin Russwin products becomes void if the product is modified in any way, regardless of whether the modifications causes or contributes to any alleged defect. If a Corbin Russwin product is modified it may no longer meet industry certification and quality control standards applicable to the original product and is no longer a genuine Corbin Russwin product.

Copyright © 2000-2023, ASSA ABLOY Access and Egress Hardware Group, Inc. All rights reserved. Reproduction in whole or in part without the express written permission of ASSA ABLOY Access and Egress Hardware Group, Inc. is prohibited. Patent pending and/or patent [www.assaabloydss.com/patents](http://www.assaabloydss.com/patents).



(Specify Finish)

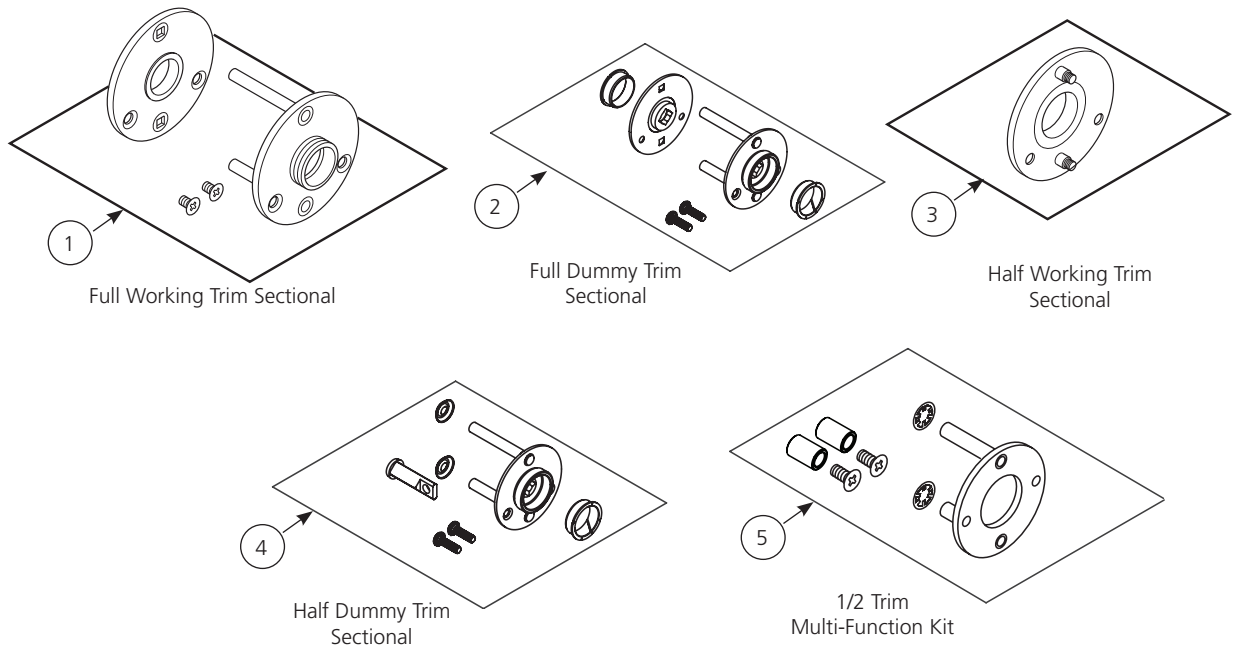
Item	Part No.	Description
1	808F70	Wrought Rose Packet, containing: (Qty. 1) 2-3/4" Dia. Muséo Rose (T Rose)
2	808F72	Wrought Rose Packet, containing: (Qty. 1) 2-3/16" Dia. Muséo Rose (U Rose)
3	808F74	Wrought Rose Packet, containing: (Qty. 1) 2-3/4" Dia. Muséo Rose (V Rose)
4	808F76	Wrought Rose Packet, containing: (Qty. 1) 2-1/8" Dia. Muséo Rose (X Rose)
5	808F77	Wrought Rose Packet, containing: (Qty. 1) 2-5/16" Dia. Muséo Rose (W Rose)

(Specify Finish)

Item	Part No.	Description
6	808F78	Wrought Rose Packet, containing: (Qty. 1) 2-3/16" Dia. Muséo Rose (Y Rose)
7	811F14	Wrought Rose Packet, containing: (Qty. 1) 2-11/16" Dia. Muséo Rose (E2 Rose)
8	811F13	Wrought Rose Packet, containing: (Qty. 1) 2-1/16" Dia. Muséo Rose (E3 Rose)
9	819F82	Wrought Rose Packet, containing: (Qty. 1) 3-1/4" Dia. Muséo Rose (E4 Rose)

The warranty on Corbin Russwin products becomes void if the product is modified in any way, regardless of whether the modifications causes or contributes to any alleged defect. If a Corbin Russwin product is modified it may no longer meet industry certification and quality control standards applicable to the original product and is no longer a genuine Corbin Russwin product.

Copyright © 2000-2023, ASSA ABLOY Access and Egress Hardware Group, Inc. All rights reserved. Reproduction in whole or in part without the express written permission of ASSA ABLOY Access and Egress Hardware Group, Inc. is prohibited. Patent pending and/or patent [www.assaabloyds.com/patents](http://www.assaabloyds.com/patents).

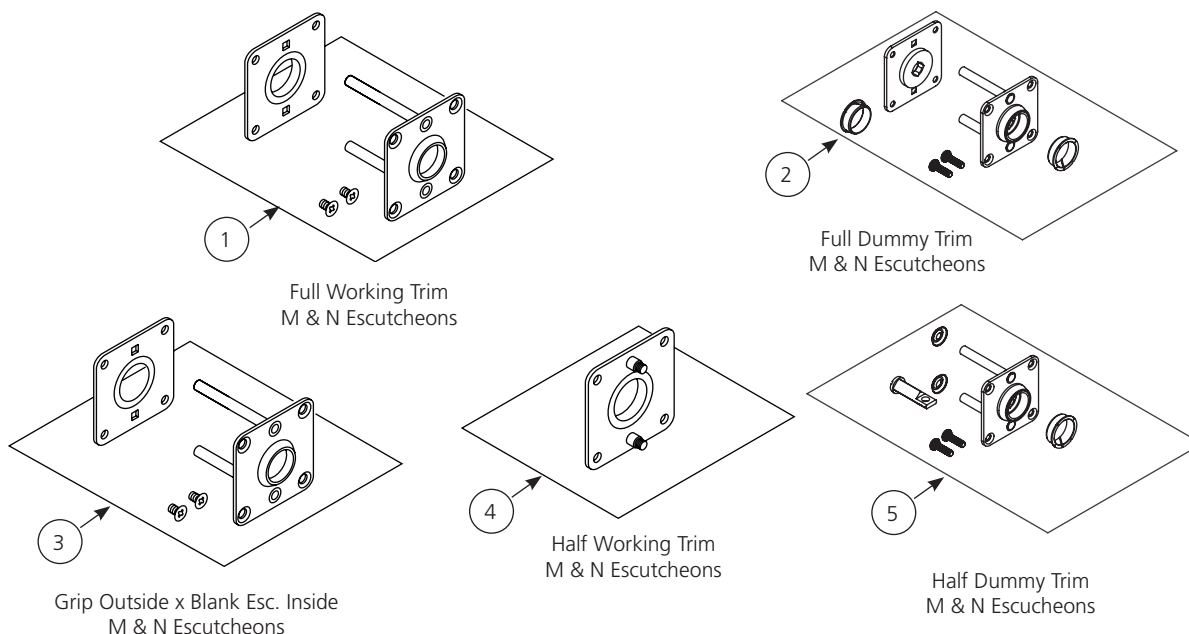


NOTE: Each adapter packet comes with appropriate size adapter plates & screws for door thickness as ordered.

Item	Part No.	Description	Item	Part No.	Description	
1	466F40	Adapter Packet - Full Working Trim, containing: 1 - Inside Adapter Plate 1 - Outside Adapter Plate 2 - #8-32 Phillips Flat Hd Undercut Machine Screws for 1-3/8" Door	3	437F40	Adapter Packet - Half Working Sectional Trim, containing: 1 - Adapter Plate 2 - #8-32 Phillips Flat Hd Undercut Machine Screws for 1-3/8" Door	
	466F41			437F41		for 1-3/4" Door
	466F42			437F42		for 2-1/4" Door
2	854F10	Adapter Plate Packet - Full Dummy Trim, containing: 1 - Inside Adapter Plate 1 - Outside Adapter Plate 2 - Bushings 2 - #8-32 Phillips Head Screws for 1-3/8" Door	4	854F22	Adapter Plate Packet - Half Dummy Trim, containing: 1 - Adapter Plate 1 - Bushings 2 - #8-32 Phillips Head Screws 2 - Finish Washers 1 - Half Dummy Spindle for 1-3/8" Door	
	854F11			854F23		for 1-3/4" Door
	854F13			854F25		for 2-1/4" Door
			5	853F95	Adapter Plate Packet - 1/2 Trim Multi-Function Kit (1-3/4" Doors Only), containing: 1 - Adapter Plate 2 - Retainer Rings 2 - Spacers 2 - #8-32 x 7/8" Phillips Flat Hd Screws	
		488F27				
		427F07				
		426F91				
				814F80		

The warranty on Corbin Russwin products becomes void if the product is modified in any way, regardless of whether the modifications causes or contributes to any alleged defect. If a Corbin Russwin product is modified it may no longer meet industry certification and quality control standards applicable to the original product and is no longer a genuine Corbin Russwin product.

Copyright © 2000-2023, ASSA ABLOY Access and Egress Hardware Group, Inc. All rights reserved. Reproduction in whole or in part without the express written permission of ASSA ABLOY Access and Egress Hardware Group, Inc. is prohibited. Patent pending and/or patent www.assaabloydss.com/patents.



NOTE: Each adapter packet comes with appropriate size adapter plates & screws for door thickness as ordered.

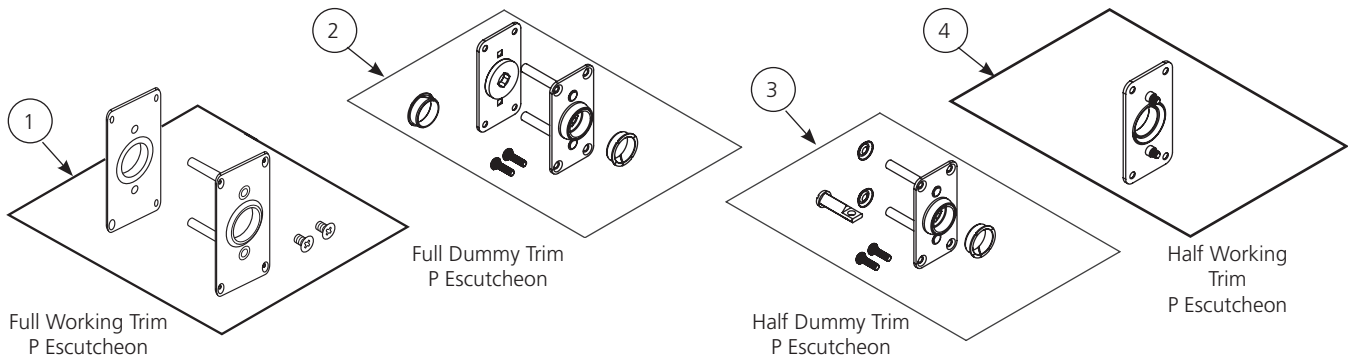
Item	Part No.	Description
1	466F50 466F51 466F52	Adapter Packet - Full Working Trim, containing: 1 - Inside Adapter Plate 1 - Outside Adapter Plate 2 - #8-32 Phillips Flat Hd Screw for 1-3/8" Door for 1-3/4" Door for 2-1/4" Door
2	854F14 854F15 854F16	Adapter Plate Packet - Full Dummy Trim, containing: 1 - Inside Adapter Plate 1 - Outside Adapter plate 2 - Dummy Adapter Sleeves 2 - Bushings 2 - #8-32 Phillips Head Screws for 1-3/8" Door for 1-3/4" Door for 2-1/4" Door
3	466F45 466F46 466F47	Adapter Packet - Grip Outside x Blank Escutcheon Inside, containing: 1 - Inside Adapter Plate 1 - Outside Adapter Plate 2 - #8-32 Phillips Flat Hd Undercut Machine Screws for 1-3/8" Door for 1-3/4" Door for 2-1/4" Door

Item	Part No.	Description
4	428F32 428F33 428F34	Adapter Packet - Half Working Trim, containing: 1 - Adapter Plate 2 - #8-32 Phillips Flat Hd Machine Screws for 1-3/8" Door for 1-3/4" Door for 2-1/4" Door
5	854F26 854F27 854F29	Adapter Plate Packet - Half Dummy Trim, containing: 1 - Adapter Plate 1 - Dummy Adapter Sleeves 1 - Bushings 2 - #8-32 Phillips Head Screws 2 - Finish Washers 1 - Half Dummy Spindle for 1-3/8" Door for 1-3/4" Door for 2-1/4" Door

The warranty on Corbin Russwin products becomes void if the product is modified in any way, regardless of whether the modifications causes or contributes to any alleged defect. If a Corbin Russwin product is modified it may no longer meet industry certification and quality control standards applicable to the original product and is no longer a genuine Corbin Russwin product.

Copyright © 2000-2023, ASSA ABLOY Access and Egress Hardware Group, Inc. All rights reserved. Reproduction in whole or in part without the express written permission of ASSA ABLOY Access and Egress Hardware Group, Inc. is prohibited. Patent pending and/or patent [www.assaabloydss.com/patents](http://www.assaabloydss.com/patents).



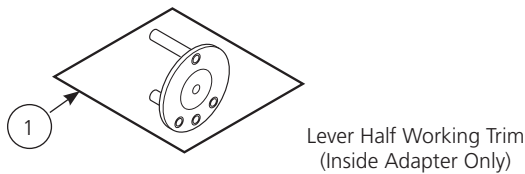


NOTE: Each adapter packet comes with appropriate size adapter plates & screws for door thickness as ordered.

Item	Part No.	Description
1	466F73 466F74 466F75	Adapter Packet - Full Working Trim, containing: 1 - Inside Adapter Plate 1 - Outside Adapter Plate 2 - #8-32 Phillips Flat Hd Undercut Machine Screws for 1-3/8" Door for 1-3/4" Door for 2-1/4" Door
2	854F18 854F19 854F21	Adapter Plate Packet - Full Dummy Trim, containing: 1 - Inside Adapter Plate 1 - Outside Adapter plate 2 - Bushings 2 - #8-32 Phillips Head Screws for 1-3/8" door for 1-3/4" door for 2-1/4" door

Item	Part No.	Description
3	854F30 854F31 854F33	Adapter Plate Packet - Half Dummy Trim, containing: 1 - Adapter plates 1 - Bushings 2 - #8-32 Phillips Head Screws 2 - Finish Washers 1 - Half Dummy Spindle for 1-3/8" door for 1-3/4" door for 2-1/4" door
4	439F25 439F26 439F27	Adapter Packet - Half Working Trim, containing: 1 - Adapter Plate 2 - #8-32 Phillips Flat Hd Undercut Machine Screws for 1-3/8" Door for 1-3/4" Door for 2-1/4" Door

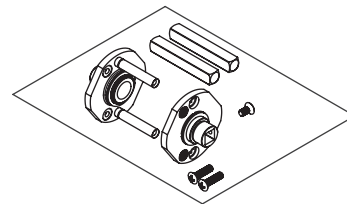
Adapter Packets - All Escutcheons - Half Working Trim



Item	Part No.	Description
1	488F27	Adapter Packet - Lever Half Working Trim, containing: 1 - Inside Adapter Plate

NOTE: Retainer 427F07-8 required for installation.

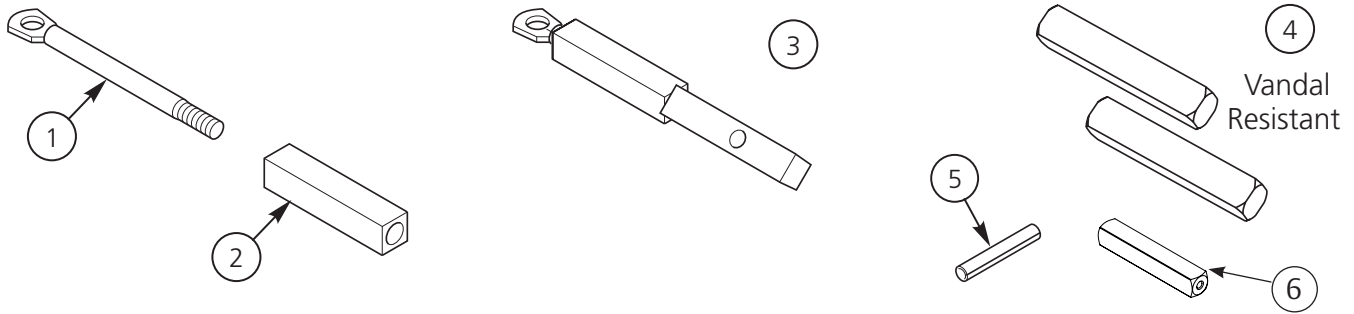
Muséo adapter plates



Item	Part No.	Description
1	853F46 853F47 880F45 880F46	Muséo Adapter Plate Packet, containing 1 - Inside Adapter Plate 1 - Outside Adapter Plate 1 - Set Screw 2 - #8-32 Phillips Head Screws 2 - Spindles for 1-3/8" Doors for 1-3/4" Doors for 2" Doors for 2-1/4" Doors

The warranty on Corbin Russwin products becomes void if the product is modified in any way, regardless of whether the modifications causes or contributes to any alleged defect. If a Corbin Russwin product is modified it may no longer meet industry certification and quality control standards applicable to the original product and is no longer a genuine Corbin Russwin product.

Copyright © 2000-2023, ASSA ABLOY Access and Egress Hardware Group, Inc. All rights reserved. Reproduction in whole or in part without the express written permission of ASSA ABLOY Access and Egress Hardware Group, Inc. is prohibited. Patent pending and/or patent www.assaabloydss.com/patents.

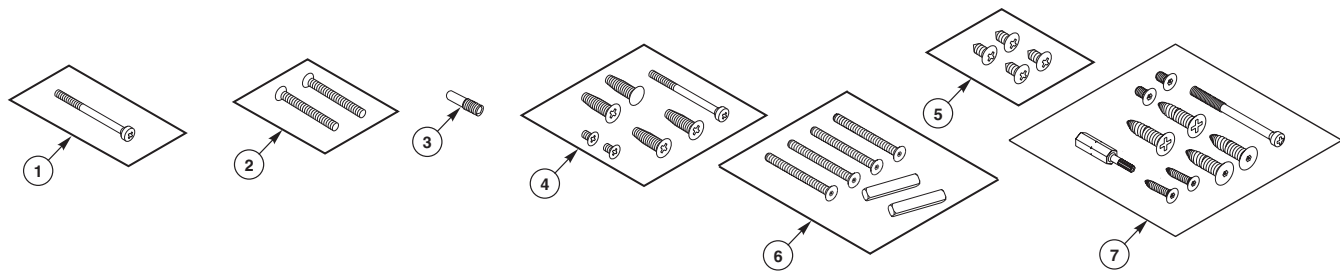


Item	Part No.	Description
1	483F34-8	Adjusting Bolt for I/S Lever Trim for: 1-3/8" Door
	483F35-8	1-3/4" Door
	483F36-8	2-1/4" Door
2	483F31-8	Inside Spindle for I/S Lever Trim for: 1-3/8" Door
	680F35-8	1-3/4" Door
	483F33-8	2-1/4" Door

Item	Part No.	Description
3	499F82-8	Spindle Assembly for: 1-3/8" Door
	499F83-8	1-3/4" Door
	499F84-8	2-1/4" Door
	807F23-8	1-3/8" (M30)
	808F84-8	1-3/4" (M30)
	808F87-8	2-1/4" (M30)
4	700F38-8	Vandal Resistant Spindles
5	228F54-8	Roll Pin for Knob or Lever Spindle
6	807F23-8	Muséo Spindles: 1-3/8" Door
	808F84-8	1-3/4" - 2" Door
	807F87-8	2-1/4" Door

The warranty on Corbin Russwin products becomes void if the product is modified in any way, regardless of whether the modifications causes or contributes to any alleged defect. If a Corbin Russwin product is modified it may no longer meet industry certification and quality control standards applicable to the original product and is no longer a genuine Corbin Russwin product.

Copyright © 2000-2023, ASSA ABLOY Access and Egress Hardware Group, Inc. All rights reserved. Reproduction in whole or in part without the express written permission of ASSA ABLOY Access and Egress Hardware Group, Inc. is prohibited. Patent pending and/or patent [www.assaabloydss.com/patents](http://www.assaabloydss.com/patents).



(Specify Finish)

Item	Part No.	Description
1	488F08 488F10	Cylinder Set Screw Packet for Standard MR Option
2	433F76 433F77 433F78	Throughbolt Packet for M & P Escutcheons, containing: 2 - #8-32 Phillips Oval Hd Machine Screws for 1-3/8" Door for 1-3/4" Door for 2-1/4" Door
	439F33 439F34 439F35	Throughbolt Packet for R & L Escutcheons, containing: 2 - #10-24 Phillips Oval Hd Machine Screws for 1-3/8" Door for 1-3/4" Door for 2-1/4" Door
3	483F30	Dowel Screw for Inside Lever
4	429F41	Mortise Lock Mounting Packet, (Std.) containing: 1 - Cylinder Set Screw 4 - #12 Phillips Flat Head Undercut Combination Screws 2 - #8 x 1/4" Phillips Flat Head Undercut Machine Screws
5	429F31	Screw Packet for N Surface Mounted Escutcheons, containing: 4 - #6 x 1/2" Phillips Oval Head Type A Tapping Screws
Not Shown	858F50M 858F517 858F52M 858F53M 858F55M	Screw Pack for VN Escutcheon used with V Series Indicators containing: 2 - #8-32 Phillips Oval Head Machine Screws for 1-3/8" Door for 1-3/4" Door for 2" Door for 2-1/4" Door over 2-1/4" Door
Not Shown	858F497	Screw Pack for V Series Indicators for Sectional Trim containing: 1 - #8-32 x 5/8" Phillips Oval Head Machine Screw 1 - #8-32 x 3/8" Phillips Oval Head Machine Screw 1 - #8-32 x 5/8" Torx® Pin Oval Head Machine Screw 1 - #8-32 x 3/8" Torx® Pin Oval Head Machine Screw 4 - #6 x 3/8" Phillips Pan Head Sheet Metal Screws for all doors

(Specify Finish)

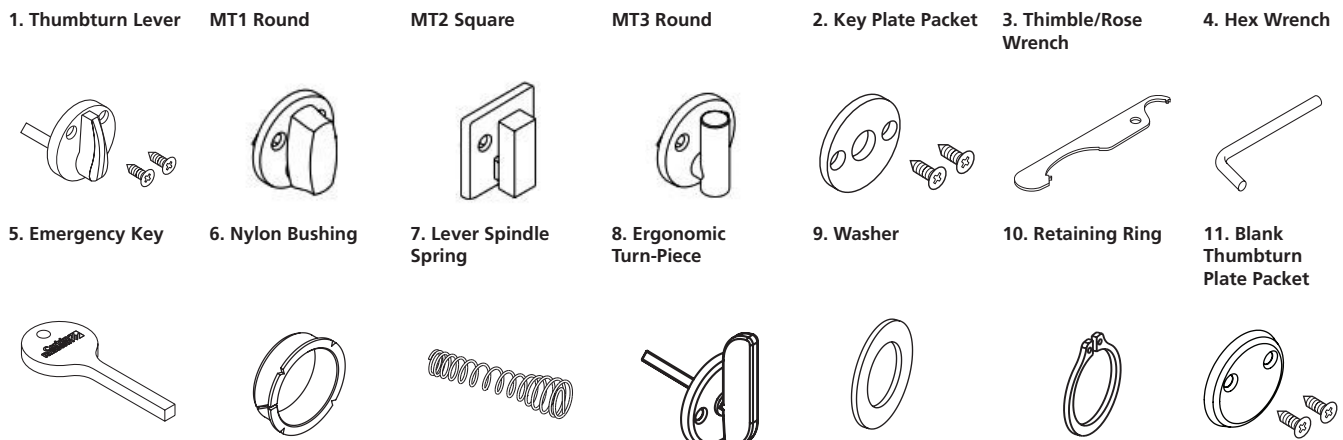
Item	Part No.	Description
6	700F65 700F66 700F67	Screw & Spindle Packet for VR Trim Containing: 4 - #10 - 24 x 2" FHUM Torx® Pin Screws 2 - Spindles for 1-3/4" Door for 2" Door for 2-1/4" Door
7	616F12 402F91 383F34 614F90 614F95 688F07 616F07 465F57 402F91 383F34 614F90 614F95 688F07 616F07 488F09 488F10 383F34 221F51	Mortise Lock Mounting Packet, Torx® (M04) containing: 1 - Cylinder Set Screw 2 - #12 Phillips FHU Combination Screws 2 - #12 x 1" FHU Torx® Pin Combination Screw 2 - #8-32 x 1/4" Torxw Pin FHMU Screw 2 - #6 x Torx® Pin Flat Head Screw 1 - Torx® Pin Driver Bit  Mortise Lock Mounting Packet, HS & VR, containing: 1 - Cylinder Set Screw 2 - #12 Phillips FHU Combination Screws 2 - #12 x 1" FHU Torx® Pin Combination Screw 2 - #8-32 x 1/4" Torx® Pin FHMU Screw 2 - #6 x Torx® Pin Flat Head Screw 1 - Torx® Pin Driver Bit  Mortise Lock Mounting Packet, MR, containing: 1 - Cylinder Set Screw 2 - #12 Phillips FHU Combination Screws 2 - #8-32 x 1/4" Phillips Flat Head Undercut Machine Screws
Not Shown	809F087	Set Screw for Muséo Levers

The warranty on Corbin Russwin products becomes void if the product is modified in any way, regardless of whether the modifications causes or contributes to any alleged defect. If a Corbin Russwin product is modified it may no longer meet industry certification and quality control standards applicable to the original product and is no longer a genuine Corbin Russwin product.

Copyright © 2000-2023, ASSA ABLOY Access and Egress Hardware Group, Inc. All rights reserved. Reproduction in whole or in part without the express written permission of ASSA ABLOY Access and Egress Hardware Group, Inc. is prohibited. Patent pending and/or patent www.assaabloyds.com/patents.

Item	Part No.	Description
1	<i>Specify Finish</i>	Thumbturn Lever Packet, containing: 1 - Thumbturn Lever 2 - #6 x 1/2" Phillips Oval Head, Type A Screws
	519F09	for 1-3/8" Door
	519F10	for 1-3/4" Door
	519F11	for 2-1/4" Door
	519F12	for up to 3" Door
	581F96	for up to 4" Door
		Thumbturn Lever MT1: (round plate)
	723F70	for 1-3/8" Door
	723F76	for 1-3/4" Door
	723F88	for 2-1/4" Door
	723F82	for up to 4" Door
		Thumbturn Lever MT1: (square plate)
	723F71	for 1-3/8" Door
	723F77	for 1-3/4" Door
	723F89	for 2-1/4" Door
	723F83	for up to 4" Door
		Thumbturn Lever MT2: (round plate)
	723F72	for 1-3/8" Door
	723F78	for 1-3/4" Door
	723F90	for 2-1/4" Door
	723F84	for up to 4" Door
		Thumbturn Lever MT2: (square plate)
	723F73	for 1-3/8" Door
	723F79	for 1-3/4" Door
	723F91	for 2-1/4" Door
	723F85	for up to 4" Door
		Thumbturn Lever MT3: (round plate)
	723F74	for 1-3/8" Door
	723F80	for 1-3/4" Door
	723F92	for 2-1/4" Door
	723F86	for up to 4" Door
		Thumbturn Lever MT3: (square plate)
	723F75	for 1-3/8" Door
	723F81	for 1-3/4" Door
	723F93	for 2-1/4" Door
	723F87	for up to 4" Door

Item	Part No.	Description
2	<i>Specify Finish</i>	Key Plate Packet, containing: 1 - Key Plate 2 - #6 x 1/2" Oval Truss Hd. Screws
	438F90	
3	300F68-8	Thimble/Rose Wrench
4	264F69-8	Hex Wrench
	264F29-8	5/64" Hex Wrench
	264F69-8	1/8" Hex Wrench
	288F71-8	1/16" Hex Wrench
	288F72-8	3/16" Hex Wrench
	309F81-8	7/64" Hex Wrench
	330F10-8	3/32" Hex Wrench
	385F33-8	5/32" Hex Wrench
5	605F42-8	Emergency Key for Privacy Function
6	698F229	Nylon Bushing for all Adapters & Cast Escutcheons
7	700F36-7	Lever Spindle Spring for VR Trim
	805F01-7	Lever Spindle Spring for Muséo
8		Ergonomic Turn-piece:
	707F57	1-3/8" Door
	707F58	1-3/4" - 2" Door
	707F59	2-1/4" Door
	707F60	3" Door
	707F70	4" Door
9	700F37-8	Washer for VR Trim
10	700F16-8	Retaining Ring for VR Trim
11	<i>Specify Finish</i>	
	696F39	Blank Thumbturn Plate Packet



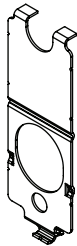
The warranty on Corbin Russwin products becomes void if the product is modified in any way, regardless of whether the modifications causes or contributes to any alleged defect. If a Corbin Russwin product is modified it may no longer meet industry certification and quality control standards applicable to the original product and is no longer a genuine Corbin Russwin product.

Copyright © 2000-2023, ASSA ABLOY Access and Egress Hardware Group, Inc. All rights reserved. Reproduction in whole or in part without the express written permission of ASSA ABLOY Access and Egress Hardware Group, Inc. is prohibited. Patent pending and/or patent [www.assaabloydss.com/patents](http://www.assaabloydss.com/patents).

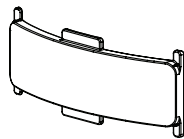
Item	Part No.	Description
1	855F638	Indicator Escutcheon Backing Plate (used with VN Escutcheon only)
2	856F049	Indicator Window
3	858F241	Indicator Display Assembly - Green Unlocked / Red Locked
	858F251	Indicator Display Assembly - Green Vacant / Red Occupied
	858F261	Indicator Display Assembly - Green Unlocked Icon / Red Locked Icon
	858F271	Indicator Display Assembly - White Unlocked / Red Locked
	858F281	Indicator Display Assembly - White Vacant / Red Occupied
	858F291	Indicator Display Assembly - White Unlocked Icon / Red Locked Icon
	865F241	Indicator Display Assembly, French - Green Ouvert / Red Fermé
	865F251	Indicator Display Assembly, French - Green Libre / Red Occupée
4	855F619	Indicator Spindle Cam - Thumb Turn
5	855F707*	Indicator Spindle Cam - Cylinder / No Input / Blank
6	855F747*	Indicator Spindle Cam - Coin Turn
7	855F649	Indicator Retaining Pad (used with Sectional Indicator Only)
8	855F658	Sectional Indicator Mounting Plate (used with Sectional Indicator Only)

\* These parts are for 1-3/4" standard thickness doors. For other thicknesses, please contact factory.

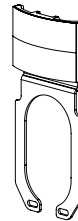
**1. Indicator Escutcheon Backing Plate**



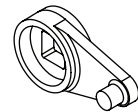
**2. Indicator Window**



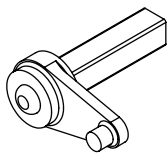
**3. Indicator Display Assembly**



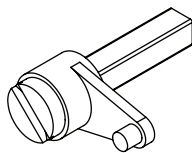
**4. Indicator Spindle Cam - Thumb Turn**



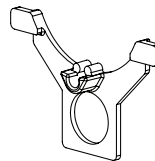
**5. Indicator Spindle Cam - Cylinder / No Input / Blank**



**6. Indicator Spindle Cam - Coin Turn**



**7. Indicator Retaining Pad**



**8. Sectional Indicator Mounting Plate**



The warranty on Corbin Russwin products becomes void if the product is modified in any way, regardless of whether the modifications causes or contributes to any alleged defect. If a Corbin Russwin product is modified it may no longer meet industry certification and quality control standards applicable to the original product and is no longer a genuine Corbin Russwin product.

Copyright © 2000-2023, ASSA ABLOY Access and Egress Hardware Group, Inc. All rights reserved. Reproduction in whole or in part without the express written permission of ASSA ABLOY Access and Egress Hardware Group, Inc. is prohibited. Patent pending and/or patent [www.assaabloydss.com/patents](http://www.assaabloydss.com/patents).

Conventional (standard for ML2000)  
 Security (optional)  
 Pyramid (optional)  
 IC  
 2 nickel silver keys  
 Finishes: See Key Systems catalogs.



Mortise Cylinder Type	Hotel Function	55, 69* & (Inside) Function	All Other Keyed Functions
Access 3® Patented	CR1501-114-A01	CR1500-114-A02	CR1500-114-A01
Access 3® Security	CR1601-114-A01	CR1600-114-A02	CR1600-114-A01
Access 3® High Security	CR1701-114-A01	CR1700-114-A02	CR1700-114-A01
Access 3® Patented IC	N/A	CR1580-114-A02	CR1580-114-A01
Access 3® Security IC	N/A	CR1680-114-A02	CR1680-114-A01
Access 3® High Security IC	N/A	CR1788-114-A02	CR1788-114-A01
Pyramid HS	N/A	CR1020-114-A02	CR1020-114-A01
Pyramid HS IC	N/A	CR1030-114-A02	CR1030-114-A01
Pyramid Security	N/A	CR1027-114-A02	CR1027-114-A01
Pyramid Security IC	N/A	CR1037-114-A02	CR1037-114-A01
Conventional 6-pin	CR1001-114-A01	CR1000-118-A02	CR1000-118-A01
Conventional 7-pin	N/A	CR1000-114-A02-7	CR1000-114-A01-7
6-pin IC	CR1081-138-A01	CR1080-114-A02	CR1080-114-A01
7-pin IC	N/A	CR1080-112-A02-7	CR1080-112-A01-7
Security IC	CR1091-138-A01	CR1090-114-A02	CR1090-114-A01
Security	CR1011-114-A01	CR1010-118-A02	CR1010-118-A01
Flex Head 6-pin	CR1101-118-A01	CR1100-100-A02	CR1100-100-A01
Flex head 7-pin	N/A	CR1100-118-A02-7	CR1100-118-A01-7
Master ring	N/A	CR1060-118-A02-7	CR1060-118-A65**
Master ring flex head	N/A	CR1160-100-A62	CR1060-100-A65**
Plug only to show 6-pin (concealed shell)	CR1201-114-A01	CR1200-118-A02	CR1200-118-A01
Plug only to show 7-pin (concealed shell)	N/A	CR1200-114-A02-7	CR1200-114-A01-7

To order cylinder separately, specify Part No. x Keyway x Finish (e.g. CR1000-118-A01 x L4 x 626).

\*69 function is not offered with ML2000VR.

\*\*Deadbolt function require A61 cam.

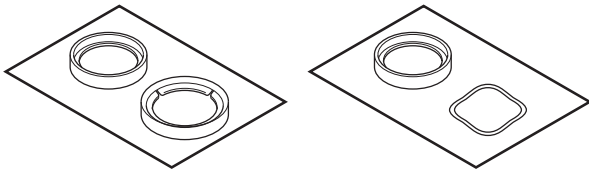
The warranty on Corbin Russwin products becomes void if the product is modified in any way, regardless of whether the modifications causes or contributes to any alleged defect. If a Corbin Russwin product is modified it may no longer meet industry certification and quality control standards applicable to the original product and is no longer a genuine Corbin Russwin product.

Copyright © 2000-2023, ASSA ABLOY Access and Egress Hardware Group, Inc. All rights reserved. Reproduction in whole or in part without the express written permission of ASSA ABLOY Access and Egress Hardware Group, Inc. is prohibited. Patent pending and/or patent www.assaabloyds.com/patents.

## For Standard Cylinder in ML2000 Series Locksets and Mortise Exit Devices with Sectional Trim

**NOTES**

1. There is no Corbin Russwin configuration which requires 1-3/8" cylinders in a double cylinder function. Collars for this combination are shaded and are referenced only for other manufacturer's cylinders.
2. The V-escutcheon is not available for 1-3/8" doors, so that configuration is not in this table.
3. Double cylinder functions use the same collar on both sides, unless otherwise specified.



Application			Cylinder				
Door	Function	Trim	1" 5-Pin	1-1/8" 6-Pin Standard	1-1/4" 6-Pin IC, 7-Pin, Hotel	1-3/8" Hotel IC	1-1/2" 7-Pin IC
1-3/8" Door	Single Cylinder	Sectional	253F97	605F43	447F43	609F36	609F37
		N escutcheon	253F97	253F97	605F43	605F43	609F37
		P escutcheon	253F97	610F01	447F43	609F36	609F37
		M escutcheon	253F97	253F97	605F43	609F36	609F37
		R escutcheon	none	447F42	610F01	447F43	609F36
		L escutcheon	none	447F42	610F01	447F43	609F37
		with V series indicator*	not available	none	447F41	447F41	447F42
	Double Cylinder	Sectional	605F43	609F36	609F37	609F38	609F38
		N escutcheon	605F43	447F43	609F36	609F37	609F37
		P escutcheon	610F01	447F43	609F36	609F37	609F37
		M escutcheon	610F01	447F43	609F36	609F37	609F37
		R escutcheon	610F01	447F43	609F36	609F37	609F37
		L escutcheon	610F01	447F43	609F36	609F37	609F37
		with V series indicator*	not available	447F41	447F42	610F01	447F43

\*Used with both sectional and escutcheon trim

The warranty on Corbin Russwin products becomes void if the product is modified in any way, regardless of whether the modifications causes or contributes to any alleged defect. If a Corbin Russwin product is modified it may no longer meet industry certification and quality control standards applicable to the original product and is no longer a genuine Corbin Russwin product.

Copyright © 2000-2023, ASSA ABLOY Access and Egress Hardware Group, Inc. All rights reserved. Reproduction in whole or in part without the express written permission of ASSA ABLOY Access and Egress Hardware Group, Inc. is prohibited. Patent pending and/or patent www.assaabloydss.com/patents.

Application			Cylinder				
Door	Function	Trim	1" 5-Pin	1-1/8" 6-Pin Standard	1-1/4" 6-Pin IC, 7-Pin, Hotel	1-3/8" Hotel IC	1-1/2" 7-Pin IC
1-3/4" Door	Single Cylinder	Sectional	253F97	253F97	605F43	605F43	609F36
		N escutcheon	253F97	253F97	253F97	605F43	605F43
		P escutcheon	use longer cylinder	253F97	253F98	610F01	447F43
		M escutcheon	use longer cylinder	253F97	253F97	605F43	447F43
		R escutcheon	none	none	447F41	447F42	610F02
		T escutcheon	none	none	none	447F41	447F42
		L escutcheon	none	none	447F41	447F42	610F02
		V escutcheon	none	none	none	700F53	700F53
	with V series indicator*	not available	none	none	none	none	447F41
	Double Cylinder	Sectional	253F97	610F01	447F43	609F37	609F37
		N escutcheon	253F97	253F97	605F43	447F43	609F36
		P escutcheon	447F41 x none	447F42	610F02	447F43	609F36
		M escutcheon	253F97 x none	253F97	605F43	447F43	609F36
		R escutcheon	197F34 x none	447F41	447F42	610F02	447F43
T escutcheon		none	447F41	447F42	610F02	609F36	
2" Door	Single Cylinder	Sectional	253F97	253F97	253F97	605F43	605F43
		N escutcheon	use longer cylinder	253F97	253F97	253F97	605F43
		P escutcheon	none	use longer cyl.	253F97	447F42	610F01
		M escutcheon	none	use longer cyl.	253F97	253F97	605F43
		R escutcheon	none	none	none	447F41	447F42
		T escutcheon	use longer cylinder	use longer cyl.	none	none	447F41
		L escutcheon	none	none	none	447F41	447F42
		V escutcheon	not available	none	none	none	700F53
with V series indicator*	not available	use longer cyl.	none	none	447F41		
Double Cylinder	Sectional	447F41	253F97	605F43	447F43	609F36	
	N escutcheon	447F41	253F97	253F97	605F43	447F43	
	P escutcheon	447F41 x none	447F41 x none	447F42	610F02	447F43	
	M escutcheon	253F97 x none	253F97 x none	253F97	605F43	447F43	
	R escutcheon	none	197F34 x none	447F42	610F02	447F43	
	T escutcheon	use longer cylinder	none	447F41	447F42	610F02	
	L escutcheon	none	197F34 x none	447F42	610F02	447F43	
	V escutcheon	not available	not available	none	not available	700F53	
with V series indicator*	not available	use longer cyl.	none	447F41	447F41		

\*Used with both sectional and escutcheon trim

The warranty on Corbin Russwin products becomes void if the product is modified in any way, regardless of whether the modifications causes or contributes to any alleged defect. If a Corbin Russwin product is modified it may no longer meet industry certification and quality control standards applicable to the original product and is no longer a genuine Corbin Russwin product.

Copyright © 2000-2023, ASSA ABLOY Access and Egress Hardware Group, Inc. All rights reserved. Reproduction in whole or in part without the express written permission of ASSA ABLOY Access and Egress Hardware Group, Inc. is prohibited. Patent pending and/or patent [www.assaabloydss.com/patents](http://www.assaabloydss.com/patents).



Application			Cylinder				
Door	Function	Trim	1" 5-Pin	1-1/8" 6-Pin Standard	1-1/4" 6-Pin IC, 7-Pin, Hotel	1-3/8" Hotel IC	1-1/2" 7-Pin IC
2-1/4" Door	Single Cylinder	Sectional	use longer cylinder	253F97	253F97	253F97	605F43
		N escutcheon	use longer cylinder	253F97	253F97	253F97	253F97
		P escutcheon	use longer cylinder	use longer cyl.	use longer cyl.	253F97	253F98
		M escutcheon	use longer cylinder	use longer cyl.	use longer cyl.	253F97	253F97
		R escutcheon	use longer cylinder	use longer cyl.	none	none	447F41
		T escutcheon	use longer cylinder	use longer cyl.	use longer cyl.	none	none
		L escutcheon	use longer cylinder	use longer cyl.	none	none	447F41
		V escutcheon	none	none	none	none	none
	with V series indicator*	not available	use longer cyl.	use longer cyl.	none	none	
	Double Cylinder	Sectional	447F41	447F41	253F97	605F43	447F43
		N escutcheon	use longer cylinder	447F41	253F97	253F97	605F43
		P escutcheon	use longer cylinder	447F41 x none	447F41 x none	447F42	610F02
		M escutcheon	use longer cylinder	253F97 x none	253F97 x none	253F97	605F43
		R escutcheon	use longer cylinder	none	197F34 x none	447F42	610F02
		T escutcheon	use longer cylinder	none	none	447F41	447F42
		L escutcheon	use longer cylinder	none	197F34 x none	447F42	610F02
V escutcheon		none	none	none	none	none	
with V series indicator*	not available	use longer cyl.	use longer cyl.	none	447F41		

\*Used with both sectional and escutcheon trim

The warranty on Corbin Russwin products becomes void if the product is modified in any way, regardless of whether the modifications causes or contributes to any alleged defect. If a Corbin Russwin product is modified it may no longer meet industry certification and quality control standards applicable to the original product and is no longer a genuine Corbin Russwin product.

Copyright © 2000-2023, ASSA ABLOY Access and Egress Hardware Group, Inc. All rights reserved. Reproduction in whole or in part without the express written permission of ASSA ABLOY Access and Egress Hardware Group, Inc. is prohibited. Patent pending and/or patent [www.assaabloydss.com/patents](http://www.assaabloydss.com/patents).

## Collars for Master Ring Cylinders

Application			Cylinder		
Door	Function	Trim	1-1/8" Standard	1-1/4"	1-3/8" 7-Pin
1-3/8"	Single Cylinder	Sectional	447F46	447F46	not avail.
		N escutcheon	447F45*	447F46	447F46
M escutcheon		447F45*	447F46	not avail.	
1-3/4"	Double Cylinder	Sectional	not avail.		
		N escutcheon	447F46	use shorter cylinder	not avail.
	M escutcheon	447F46			
2"	Single Cylinder	Sectional	447F45*	447F45*	447F46
		N escutcheon	447F44*	447F44*	447F45*
		M escutcheon	447F44*	447F44*	447F45*
	Double Cylinder	Sectional	447F46	use shorter cylinder	not avail.
		N escutcheon	447F45*	447F46	447F46
		M escutcheon	447F45*	447F46	not avail.
2-1/4"	Single Cylinder	Sectional	447F44	447F45*	447F45*
		N escutcheon	447F44	447F44*	447F44*
		M escutcheon	none	447F44*	447F44*
	Double Cylinder	Sectional	447F45*	447F46	not avail.
		N escutcheon	447F44	447F45*	447F46
		M escutcheon	447F44 x none	447F45*	447F46
2-1/4"	Single Cylinder	Sectional	447F44	447F44	447F45*
		N escutcheon	use longer cylinder	447F44	447F44*
		M escutcheon	use longer cylinder	none	447F44*
	Double Cylinder	Sectional	447F44	447F45*	447F46
		N escutcheon	447F44	447F44	447F45*
		M escutcheon	447F44 x none	447F44 x none	447F45*

\*ML2042 and ML2055 require 447F46

The warranty on Corbin Russwin products becomes void if the product is modified in any way, regardless of whether the modifications causes or contributes to any alleged defect. If a Corbin Russwin product is modified it may no longer meet industry certification and quality control standards applicable to the original product and is no longer a genuine Corbin Russwin product.

Copyright © 2000-2023, ASSA ABLOY Access and Egress Hardware Group, Inc. All rights reserved. Reproduction in whole or in part without the express written permission of ASSA ABLOY Access and Egress Hardware Group, Inc. is prohibited. Patent pending and/or patent [www.assaabloydss.com/patents](http://www.assaabloydss.com/patents).

## Conventional Cylinders

Application		Cylinder		
Door	Function	1" 6-Pin std.	1-1/8" 7-Pin Std.	1-1/4"
1-3/8"	Single Cylinder	370F29	252F82	Use Shorter Cylinder
1-3/4"	Single Cylinder	none	370F29	370F31
	Double Cylinder	370F31	252F82	Use Shorter Cylinder
2"	Single Cylinder	none	none	370F29
	Double Cylinder	none	370F31	252F82
2-1/4"	Single Cylinder	Use Longer Cylinder	none	none
	Double Cylinder	none	none	370F31

## Master Ring Cylinders

Application		Cylinder		
Door	Function	1" 6-Pin std.	1-1/8" 7-Pin Std.	1-1/4"
1-3/8"	Single Cylinder	370F35	370F35	Use Shorter Cylinder
1-3/4"	Single Cylinder	none	370F33	370F35
	Double Cylinder	370F35	370F35	Use Shorter Cylinder
2"	Single Cylinder	none	none	370F33
	Double Cylinder	370F33	370F35	370F35
2-1/4"	Single Cylinder	Use Longer Cylinder	none	none
	Double Cylinder	none	370F33	370F35

The warranty on Corbin Russwin products becomes void if the product is modified in any way, regardless of whether the modifications causes or contributes to any alleged defect. If a Corbin Russwin product is modified it may no longer meet industry certification and quality control standards applicable to the original product and is no longer a genuine Corbin Russwin product.

Copyright © 2000-2023, ASSA ABLOY Access and Egress Hardware Group, Inc. All rights reserved. Reproduction in whole or in part without the express written permission of ASSA ABLOY Access and Egress Hardware Group, Inc. is prohibited. Patent pending and/or patent [www.assaabloydss.com/patents](http://www.assaabloydss.com/patents).

For latchbolt assemblies that contain a Locking Pin as shown in Figure 4. Locksets with this assembly shipped from the factory since 2022.

1. Move the Red locking screw to side of lock-body being locked (Figure 1)
2. Push in latch partially then depress catch plate with screwdriver (Figure 1)

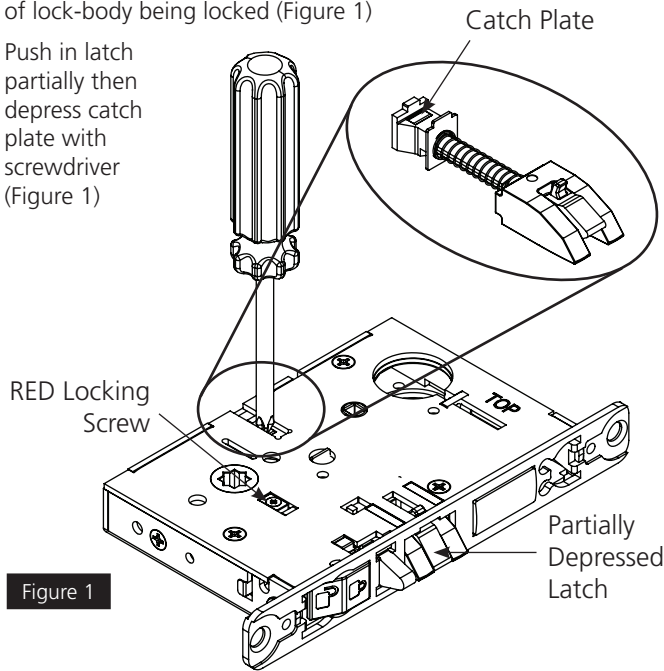


Figure 1

3. Pull latch out of lock-body and rotate 180 degrees (Figure 2)

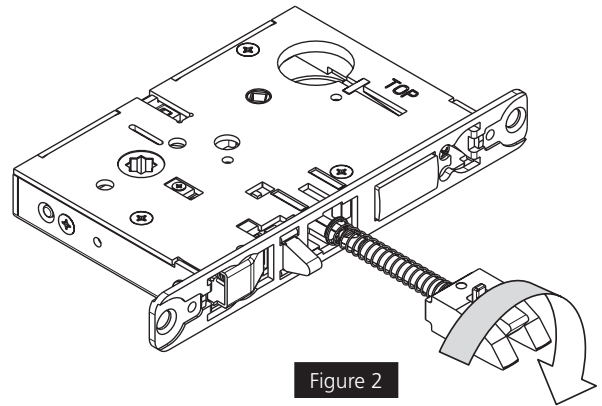


Figure 2

4. Push in latch until tail-piece hits back of case (Figure 3)

**Note: Make sure catch plate is even with top surface and locking pin is not projected (Figure 4). If not, depress catch plate with screwdriver and repeat step 4.**

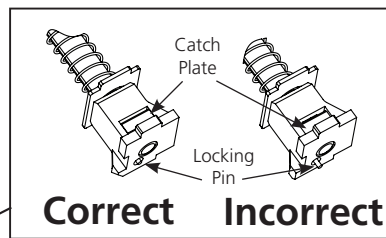


Figure 4

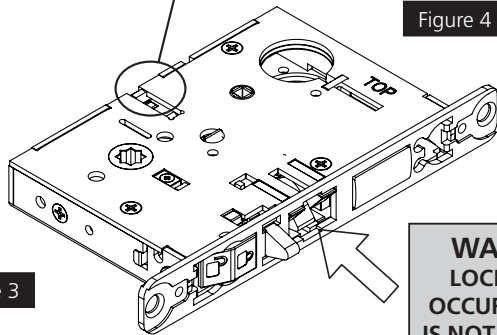


Figure 3

**WARNING: LOCK-IN CAN OCCUR IF LATCH IS NOT PROPERLY INSTALLED**

5. Rotate lock front to match level of door as shown (Figure 5)

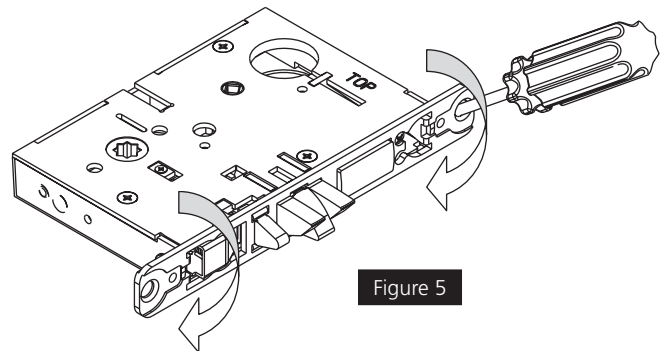


Figure 5

The warranty on Corbin Russwin products becomes void if the product is modified in any way, regardless of whether the modifications causes or contributes to any alleged defect. If a Corbin Russwin product is modified it may no longer meet industry certification and quality control standards applicable to the original product and is no longer a genuine Corbin Russwin product.

Copyright © 2000-2023, ASSA ABLOY Access and Egress Hardware Group, Inc. All rights reserved. Reproduction in whole or in part without the express written permission of ASSA ABLOY Access and Egress Hardware Group, Inc. is prohibited. Patent pending and/or patent [www.assaabloyds.com/patents](http://www.assaabloyds.com/patents).

For latchbolt assemblies that DO NOT contain a Locking Pin as shown on previous page. Locksets with this assembly shipped from the factory prior to, or in early 2022.

1. Move the Red locking screw to side of lock-body being locked (Figure 1)
2. Push in latch then depress catch plate with screw driver (Figure 1)

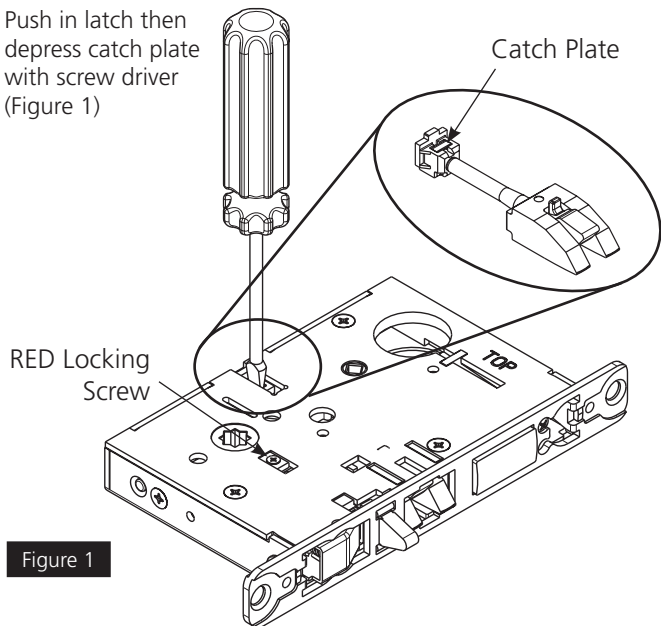


Figure 1

3. Pull latch out of lock-body and rotate 180 degrees (Figure 2)

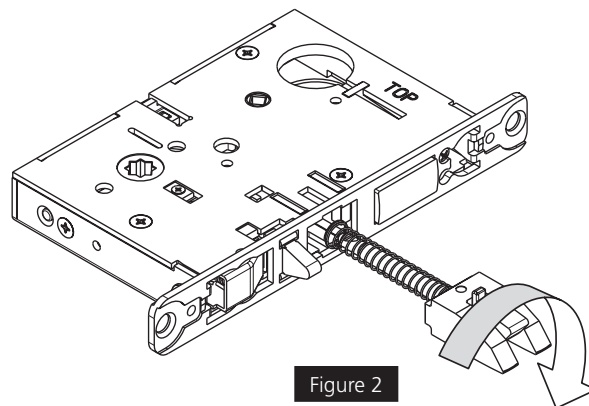


Figure 2

4. Push in latch while holding screw driver behind latch tail (Figure 3)

**Note: Push in latch until catch plate is no longer depressed, make sure catch plate is even with top surface (Figure 4)**

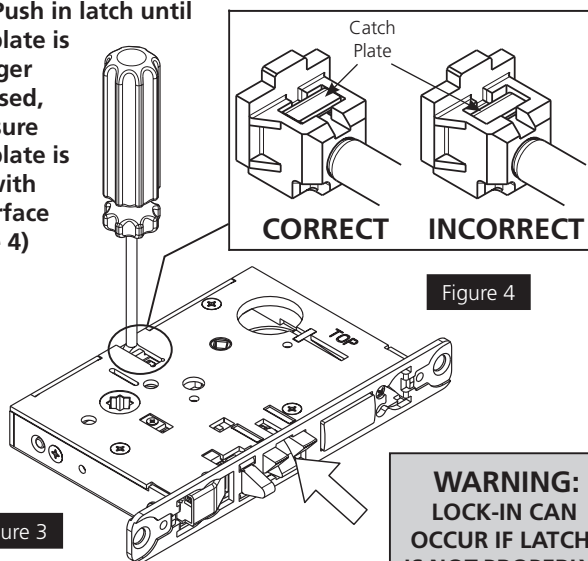


Figure 3

**WARNING:  
LOCK-IN CAN  
OCCUR IF LATCH  
IS NOT PROPERLY  
INSTALLED**

5. Rotate lock front to match level of door as shown (Figure 5)

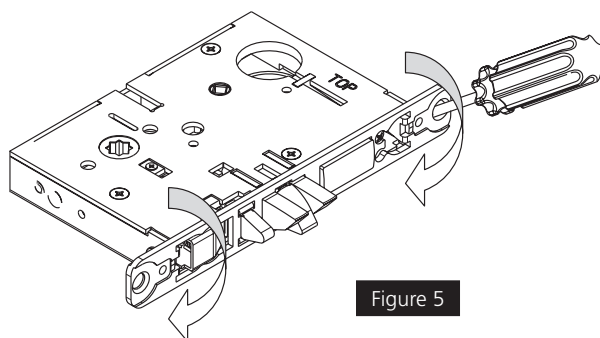


Figure 5

The warranty on Corbin Russwin products becomes void if the product is modified in any way, regardless of whether the modifications causes or contributes to any alleged defect. If a Corbin Russwin product is modified it may no longer meet industry certification and quality control standards applicable to the original product and is no longer a genuine Corbin Russwin product.

Copyright © 2000-2023, ASSA ABLOY Access and Egress Hardware Group, Inc. All rights reserved. Reproduction in whole or in part without the express written permission of ASSA ABLOY Access and Egress Hardware Group, Inc. is prohibited. Patent pending and/or patent [www.assaabloydss.com/patents](http://www.assaabloydss.com/patents).

The ASSA ABLOY Group is the global leader in access solutions. Every day, we help billions of people experience a more open world.

ASSA ABLOY Opening Solutions leads the development within door openings and products for access solutions in homes, businesses and institutions. Our offering includes doors, frames, door and window hardware, mechanical and smart locks, access control and service.



For additional information, contact your  
ASSA ABLOY Door Security Solutions  
sales consultant or visit [www.corbinruswin.com](http://www.corbinruswin.com).

**In U.S.**

Corbin Russwin  
Architectural Hardware  
225 Episcopal Road  
Berlin, CT 06037  
Phone: 800-543-3658  
Fax: 800-447-6714  
[www.corbinruswin.com](http://www.corbinruswin.com)

**In Canada**

ASSA ABLOY Door  
Security Solutions Canada  
160 Four Valley Drive  
Vaughan, Ontario  
Canada L4K 4T9  
Phone: 800-461-3007  
Fax: 800-461-8989  
[www.assaabloydss.ca](http://www.assaabloydss.ca)

**MicroShield®**

ASSA ABLOY Group companies offer MicroShield®, an anti-microbial coating for door hardware. MicroShield uses proven silver ion-based technology from Agion®, a leading provider of antimicrobial solutions, to stem the spread of bacteria and other microbes.

MicroShield® is a registered trademark of ASSA ABLOY Access and Egress Hardware Group, Inc.



The Agion antimicrobial is not intended as a substitute for good hygiene. Coated products must still be cleaned to ensure the surfaces will be free of destructive microbes. ASSA ABLOY makes no representations or warranties, express or implied, as to the efficacy of the Agion antimicrobial. A copy of the Agion warranty is available upon request. Agion is a registered trademark of Agion Technologies, Inc., Wakefield, MA, USA.