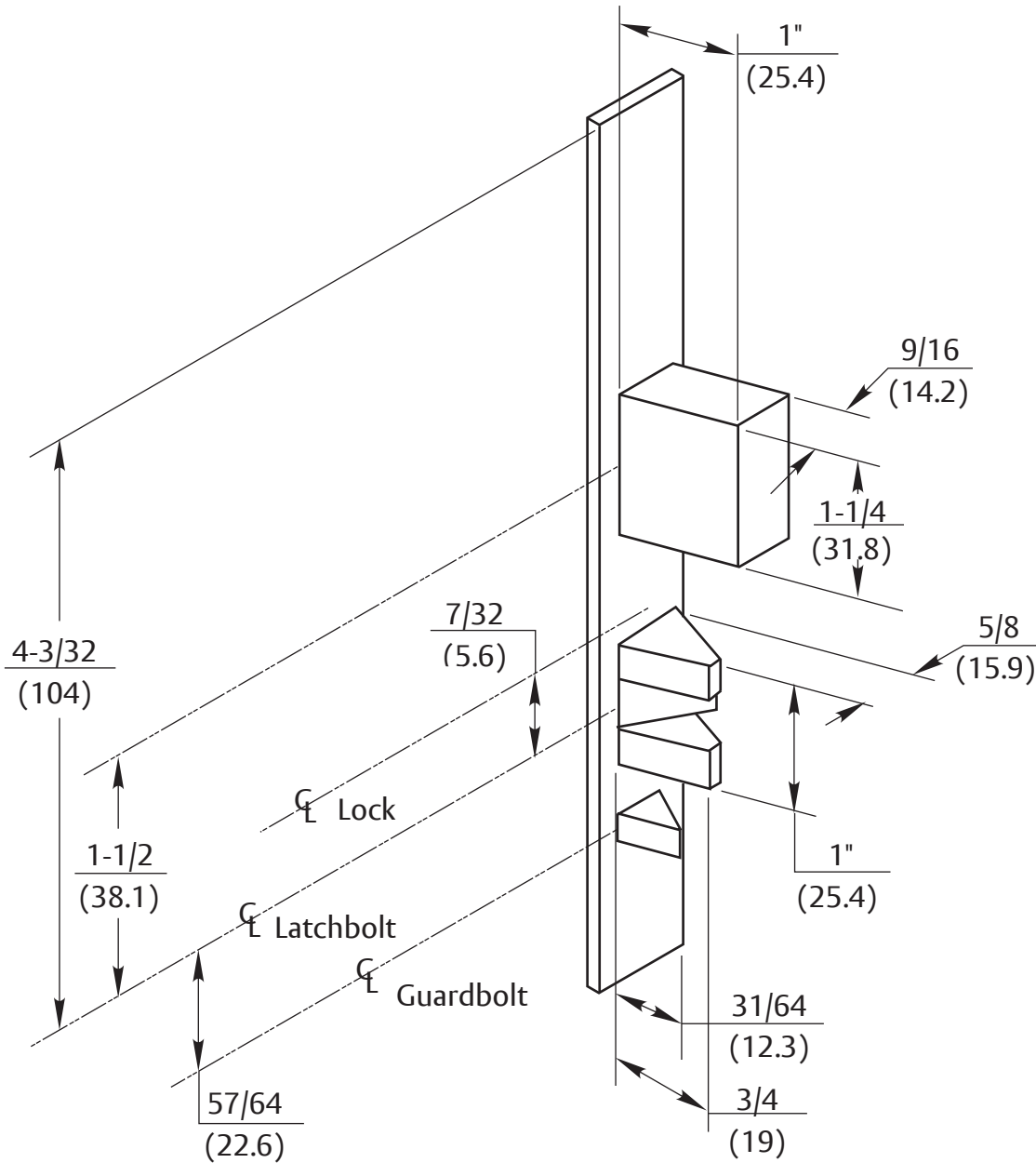


DO NOT SCALE

Notes:

1. The illustration indicates the location of the latchbolt, deadbolt and guardbolt (when used) for all mortise functions.
2. When electric door openers are specified, it is the responsibility of the hardware consultant to coordinate template information of both the lock and electric door opener with the door and frame manufacturers.
3. All dimensions given in inches (mm) unless otherwise noted.
4. Latchbolt, guardbolt and deadbolt are in the same location for all mortise lockbodies.



ML2000 Series Mortise Locks

Bolt Position Dimensions

Mechanical / Electrical / Exit Device

Corbin
Russwin
ASSA ABLOY

www.corbinrusswin.com

SUPERSEDES	DO NOT SCALE DRAWING	
TEMPLATE NUMBER	SHEET	DATE
T31265	1 of 1	08/22

Experience a safer and more open world

Copyright © 2022, ASSA ABLOY Access and Egress Hardware Group, Inc. All rights reserved. Reproduction in whole or in part without the express written permission of ASSA ABLOY Access and Egress Hardware Group, Inc. is prohibited.