

BACKSET GAGE (ML 2000 ONLY)
(1-3/4" DOOR ONLY)

**Corbin
Russwin**

ASSA ABLOY

MUSÉO

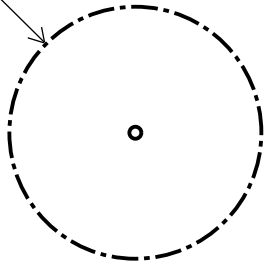
INSPIRE™ ROSELESS TRIM DOOR MARKER

ML2000 SERIES x J TRIM

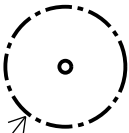
FM342 REV 12/18

BACKSET

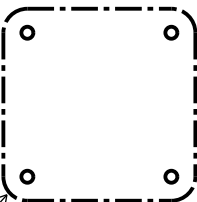
CYLINDER
1-5/16"



TURN-PIECE
5/8"



LEVER
1" SQUARE

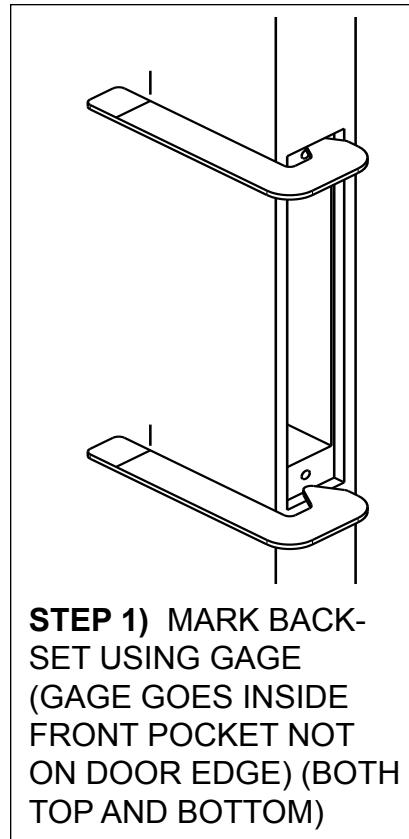


USE 1/4"
DRILL BIT
(4 PLACES)

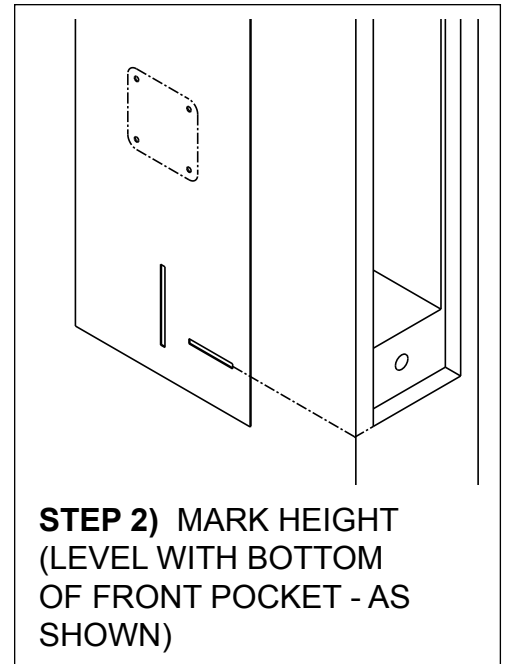
HEIGHT

BACKSET

HEIGHT

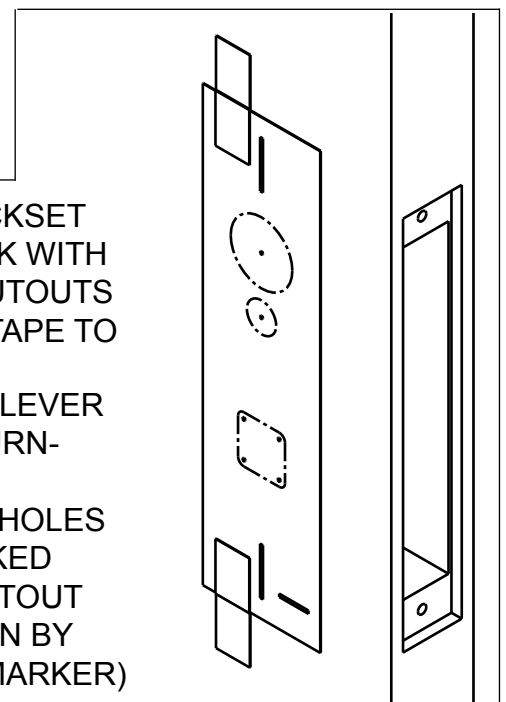


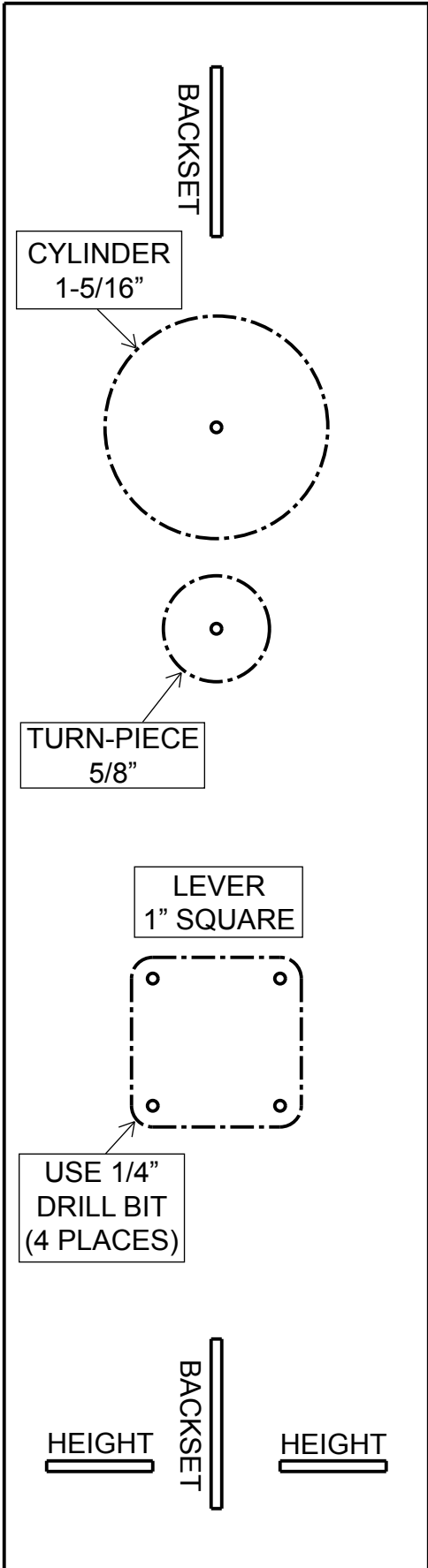
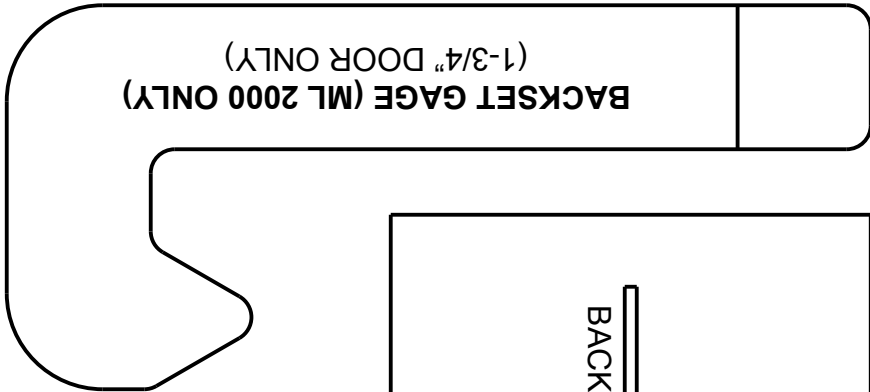
STEP 1) MARK BACK-
SET USING GAGE
(GAGE GOES INSIDE
FRONT POCKET NOT
ON DOOR EDGE) (BOTH
TOP AND BOTTOM)



STEP 2) MARK HEIGHT
(LEVEL WITH BOTTOM
OF FRONT POCKET - AS
SHOWN)

STEP 3) ALIGN BOTH BACKSET
MARKS AND HEIGHT MARK WITH
BACKSET AND HEIGHT CUTOUTS
IN DOOR MARKER THEN TAPE TO
DOOR
STEP 4) MARK ALL FOUR LEVER
HOLES AND CYLINDER/TURN-
PIECE HOLES
STEP 5) DRILL FOUR 1/4" HOLES
FOR LEVER WHERE MARKED
THEN USE JIGSAW TO CUTOUT
SQUARE HOLE (AS SHOWN BY
DOTTED LINE ON DOOR MARKER)





! WARNING
 This product can expose you to lead which is known to the state of California to cause cancer and birth defects or other reproductive harm. For more information go to www.P65warnings.ca.gov.
 08/2018



ASSA ABLOY

In U.S.:
 Corbin Russwin, Inc.
 225 Episcopal Road
 Berlin, CT 06037 USA
www.corbinrusswin.com

Technical Product Support:
 Phone: 888-607-5703

In Canada:
 ASSA ABLOY Door Security Solutions Canada
 160 Four Valley Drive
 Vaughan, Ontario, Canada L4K 4T9
www.assaabloy.ca