

MP6600 Series

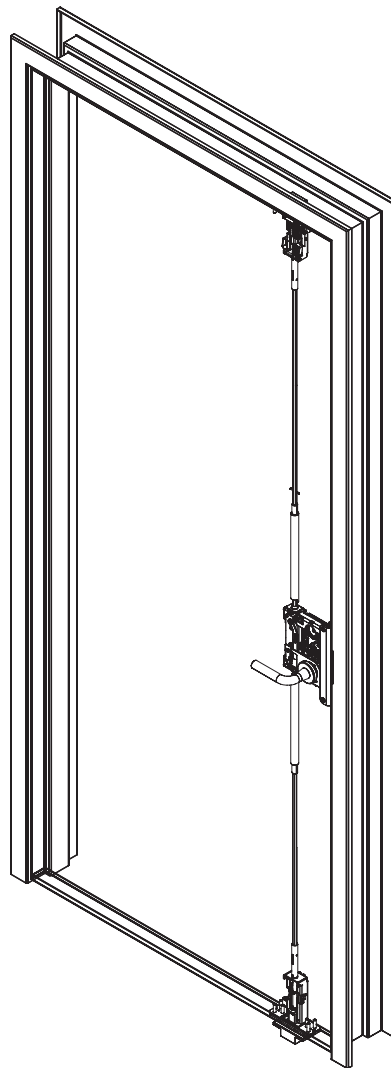
Multi-Point Lock

IMPORTANT:

Latches, rods, and cassette are pre-installed.
This product must be installed by a factory trained technician.

⚠ WARNING

This product can expose you to lead which is known to the state of California to cause cancer and birth defects or other reproductive harm. For more information go to www.P65warnings.ca.gov.



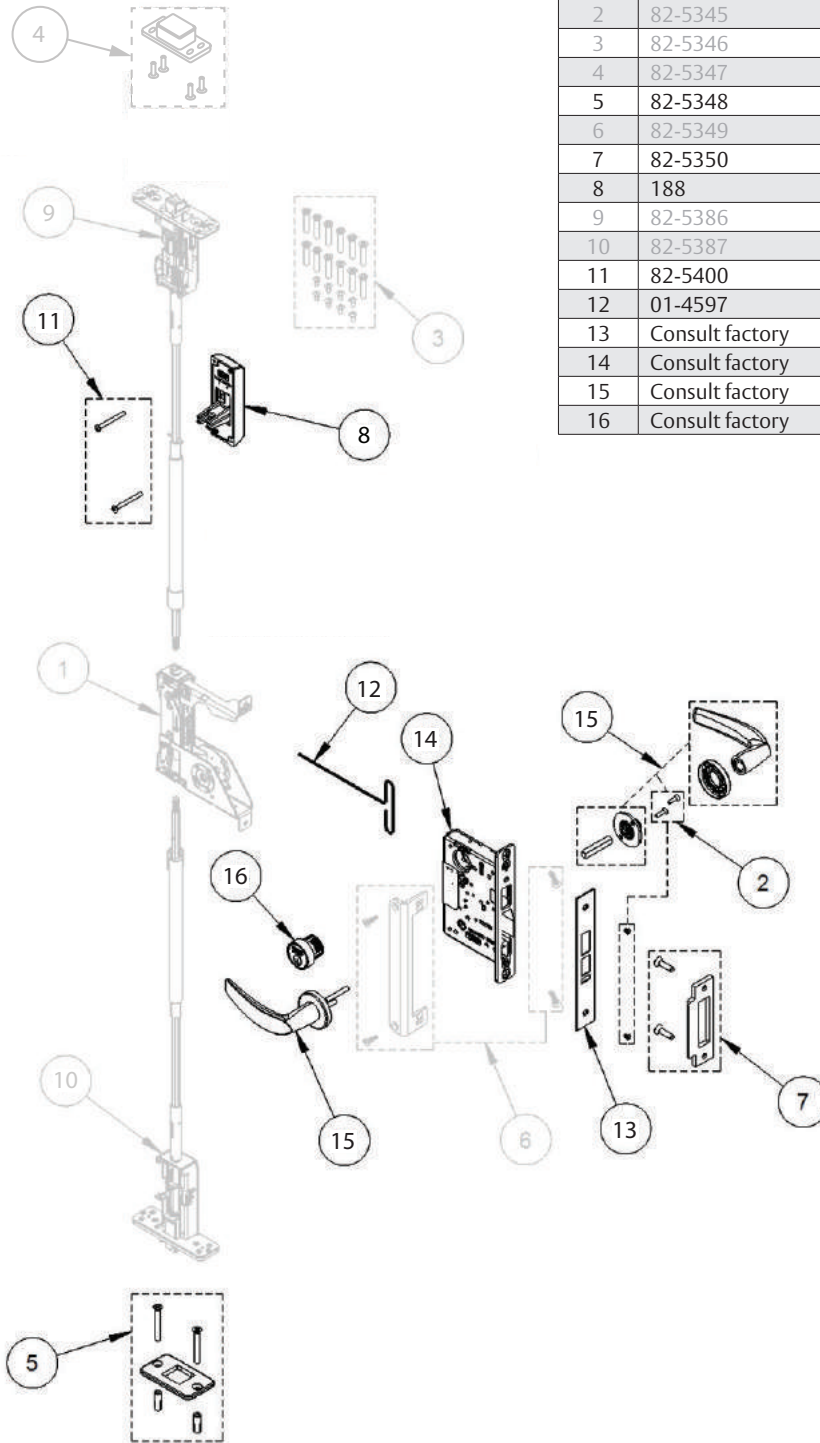
TOC	Table of Contents
1	Package Contents4
2	Tools Required5
a	Tools Required for Electronic Access Control Shield5
b	Tools Required for Dogging Indicator Option.....5
3	Installation6
a	Check Door.....6
b	Door Installation6
c	Install Top Strike Into Door Frame.....6
d	Install Center Strike Into Door Frame.....7
e	Remove Retractor Inserts.....7
f	Check Latches (<u>Uninstalled</u>)7
g	Install Bottom Strike.....8
h	Top and Bottom Latch Adjustment..... 10
i	Mortise Lock Install 12
j	Final Mortise Lock and Trim Installation 13
k	Electronic Access Control (EAC) Reader and Controller Installation 13
l	Key Override With Deadbolt Function Operation Check..... 13
4	Optional Installation..... 14
a	Dogging Indicator Installation 14

Installation Instructions

5	Addendum	16
a	Check Door	16
b	Place Door Horizontal on Sawhorse	16
c	Install Lockbody Cassette	17
d	Latch Rod Guides	17
e	Feed Top Rod Into Door	18
f	Align with Lockbody Cassette (LBC)	18
g	Troubleshoot Latch Installation	19
h	Correct Rod Installation Check	19
i	Secure Top Latch	20
j	Tighten Set Screw	20
k	Bottom Latch Installation	21
l	Check Latch	21
m	Mortise Reinforcer and Mortise Lock Installation	22

1

Package Contents



	Part Number	Description
1	82-5342	Multipoint cassette
2	82-5345	Trim mounting screw pack
3	82-5346	Top/bottom case mounting screw pack
4	82-5347	Top strike pack
5	82-5348	Bottom strike pack
6	82-5349	Mortise mounting/reinforcement pack
7	82-5350	Center strike pack
8	188	Dogging indicator (includes item 11) (specify finish)
9	82-5386	Top case and rod assembly (specify door size)
10	82-5387	Bottom case and rod assembly (specify door size)
11	82-5400	Dogging indicator screw pack (specify finish)
12	01-4597	T-wrench, adjustment
13	Consult factory	Outside armor front
14	Consult factory	Mortise lock
15	Consult factory	Mortise trim
16	Consult factory	Cylinder

Note:

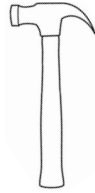
The grayed parts are pre-installed by the door manufacturer and relate to the Addendum section beginning on page 17.

2

Tools Required



Tape measure



Hammer



Flashlight



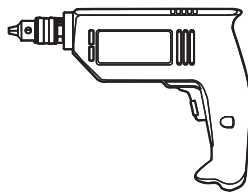
1/8" Allen
(supplied)



3/32" Allen
(supplied)



5/32" Allen



Drill



1/8" Masonry
drill bit



#3 Phillips
bit



Slotted
screwdriver



#1, #2, #3
Phillips head
screwdrivers



Chisel



3/8"
Anchor set

a

Tools Required for Electronic Access Control Shield



#29 Drill bit
(.136")



#8-32 Tap

b

Tools Required for Dogging Indicator Option



#7 Drill bit
(.201")



82° Countersink

3

Installation

a

Check Door

Verify door is:

- Correct size and hand for opening.
- Correctly prepared to Template 4740.

IMPORTANT:

If measurement is incorrect, DO NOT PROCEED WITH INSTALLATION. Contact door manufacturer.

(Figure 1)

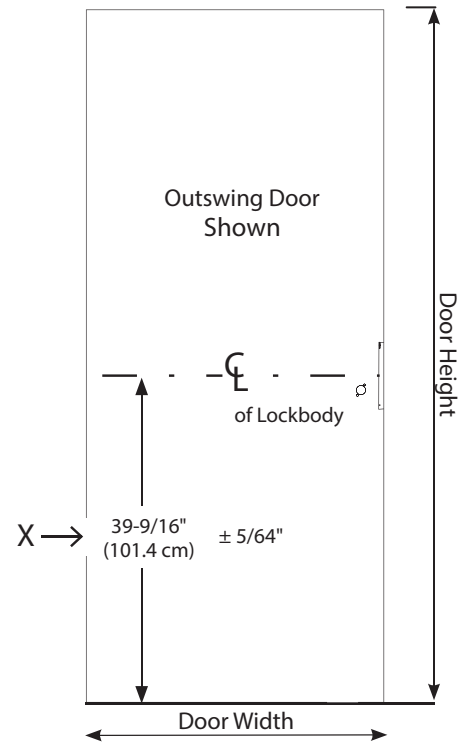


Figure 1

b

Door Installation

Hang door on frame.

IMPORTANT:

If door rubs along floor, DO NOT PROCEED WITH INSTALLATION. Contact door manufacturer.

c

Install Top Strike Into Door Frame

- Remove the strike filler plate and screws and discard.
- Install four (4) #12-24 socket cap flat head screws. (Figure 2)

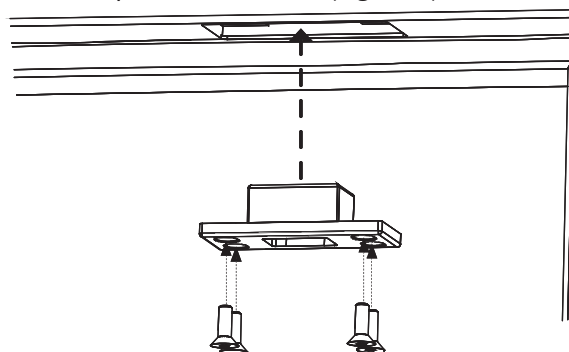


Figure 3

3

Installation (cont.)

d

Install Center Strike Into Door Frame

Install two (2) ¼-20 socket cap flat head screws. (Figure 4)

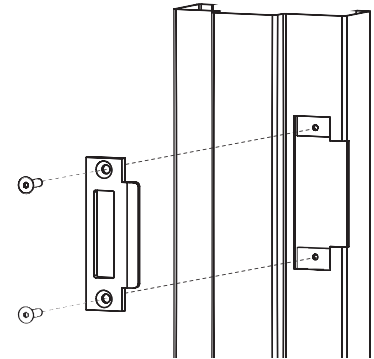


Figure 4

e

Remove Retractor Inserts

WARNING:

The door now has ability to latch. (Figure 5)

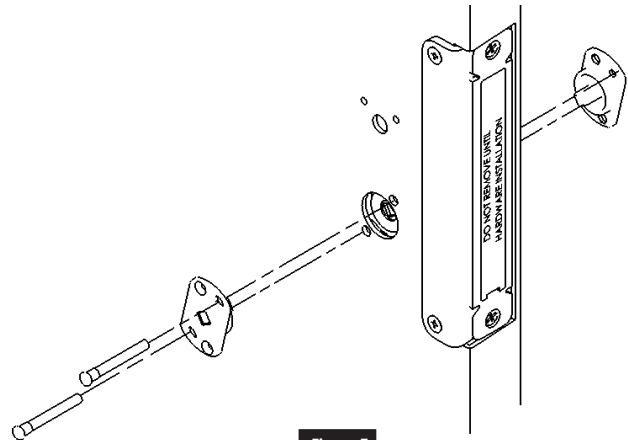


Figure 5

f

Check Latches (Uninstalled)

1. Insert uninstalled outside mortise trim and rotate to verify top and bottom latches retract flush with door. Do not install mortise trim at this time. (Figure 6)

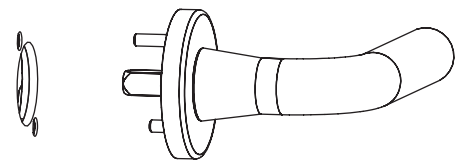


Figure 6

2. Move top strike back and forth until top latch engages strike. (Figure 7)

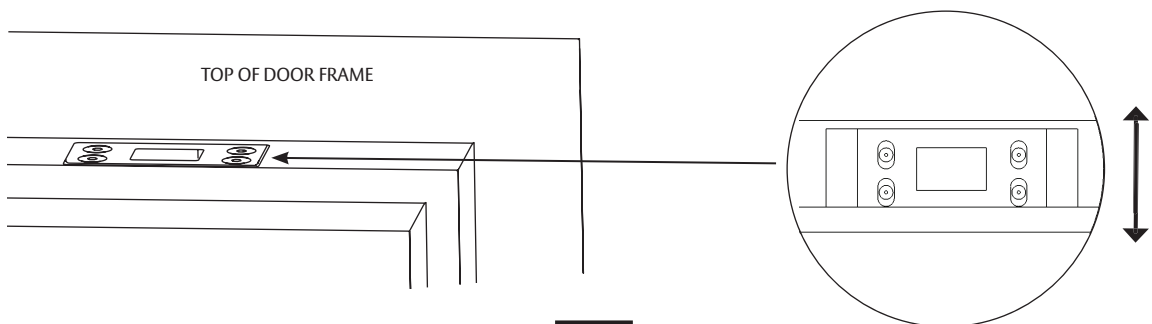


Figure 7

3

Installation (cont.)

g

Install Bottom Strike

1. Close door and mark location of bottom bolt.

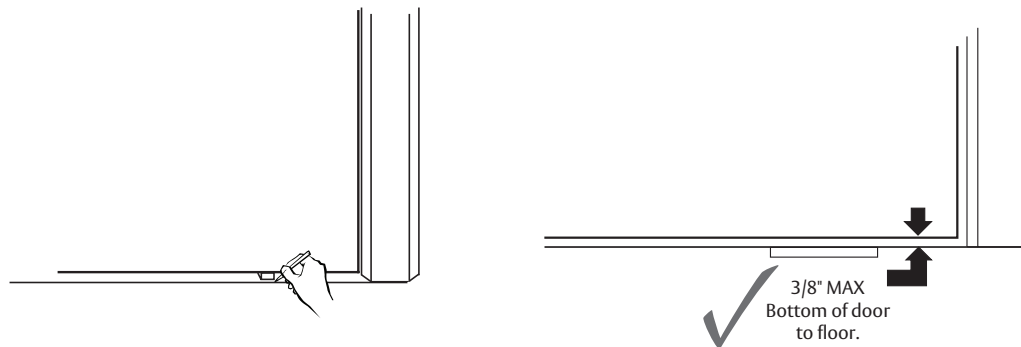


Figure 8

2. Open door and place strike over bottom bolt location.
3. Mark location of bottom strike pocket and hole locations. (Figure 8)

Note:

Strike is **not** symmetric. Install as shown. If needed, strike can be rotated later to increase bolt clearance. (Figure 9)

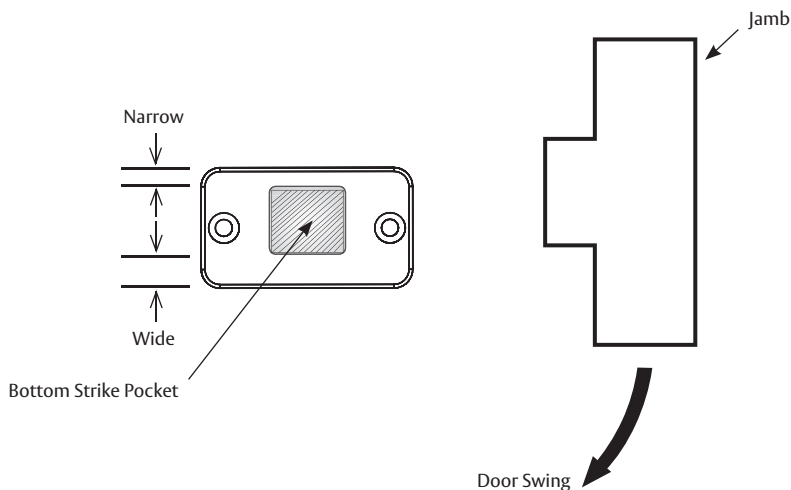


Figure 9

3

Installation (cont.)

g

Install Bottom Strike (cont.)

Flush Mount (Figure 10)

Mortise strike 1/4" deep into floor.
(Optional for 3/8" door to floor gap.)

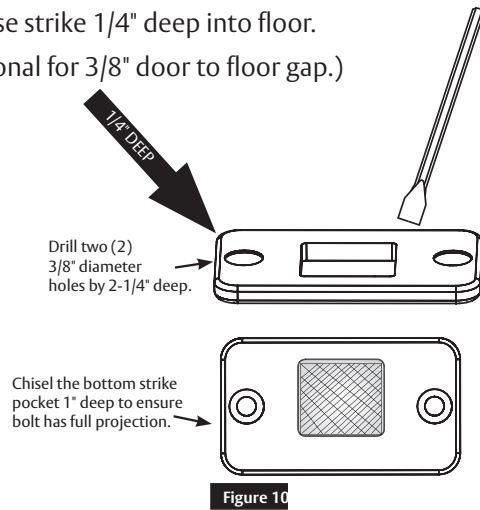


Figure 10

IMPORTANT:

Use a vacuum or compressed air to clear holes of debris. (Figure 11)

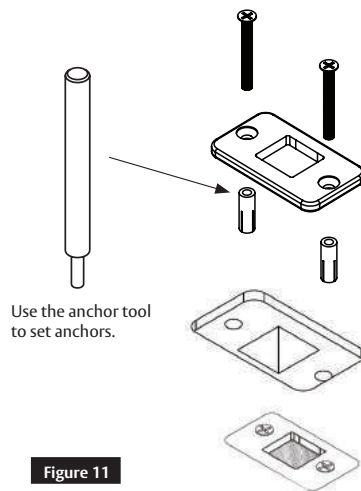


Figure 11

**Cross Sectional View
Flush Mount (Figure 12)**

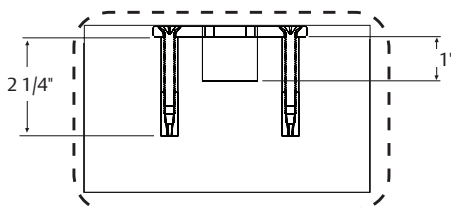


Figure 12

Surface Mount (Figure 13)

Chisel the bottom strike pocket 1" deep to ensure the bolt has full projection.

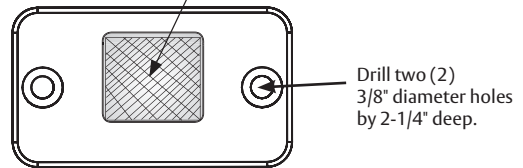


Figure 13

IMPORTANT:

Use a vacuum or compressed air to clear holes of debris. (Figure 14)

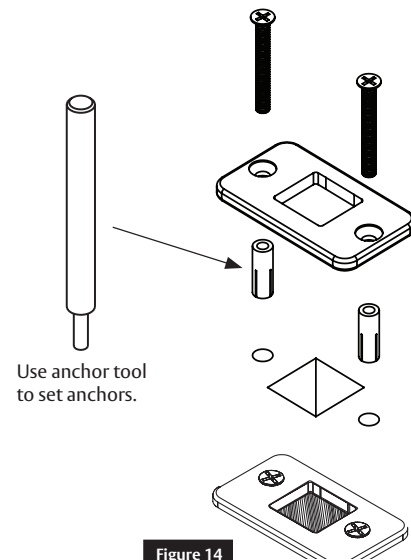


Figure 14

**Cross Sectional View
Surface Mount (Figure 15)**

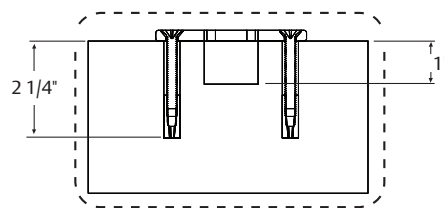


Figure 15

3

Installation (cont.)

h

Top and Bottom Latch Adjustment

1. With door hung, measure clearance between top and bottom bolts and strikes. (Figure 16)

Note:

If both measurements equal 1/16", proceed to Step 3i, otherwise proceed with Step 3h as follows:

2. Remove mortise filler cap and discard. (Figure 17)
3. Retract latches by rotating lever and opening door. (Figure 18)

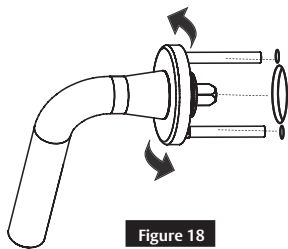


Figure 18

4. Using supplied 1/8" Allen wrench, loosen set screw 1/4 turn maximum. This allows hex rods to rotate during latch bolt adjustment. (Figure 19)

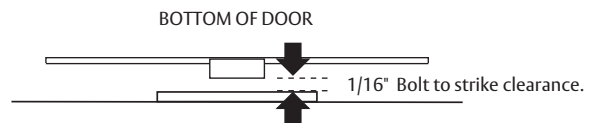
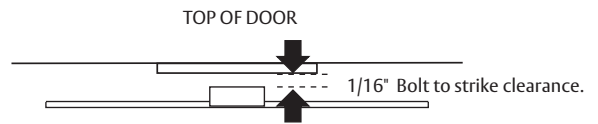


Figure 16

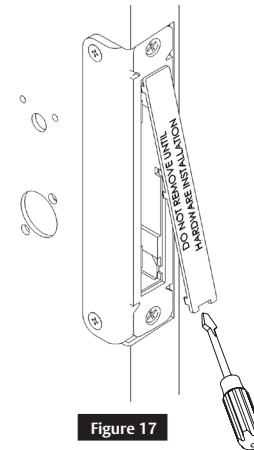


Figure 17

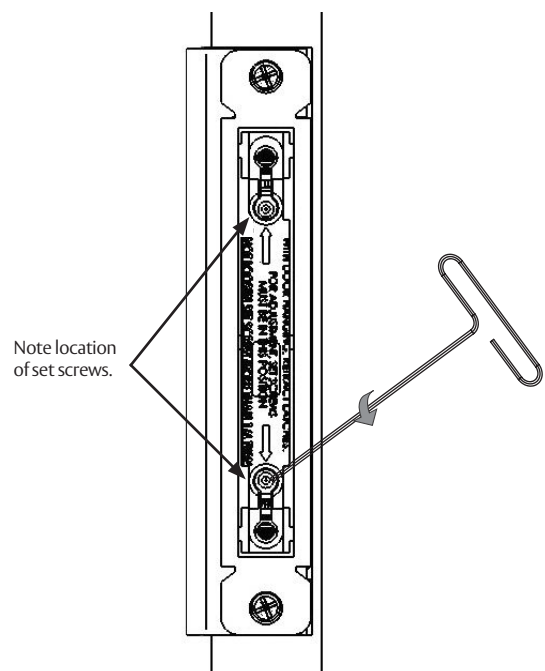


Figure 19

3

Installation (cont.)

h

Top and Bottom Latch Adjustment (cont.)

Using supplied 3/32" Allen wrench, rotate top or bottom worm gears according to directions below (Figure 20). Bolt to strike clearance should equal 1/16". This sets bolt projection. (Figure 21)

Note:

Ten (10) turns equals approximately 1/16".

Rotate top counterclockwise ↺ to project bolt; clockwise ↻ to retract bolt.

Rotate bottom counterclockwise ↺ to retract bolt; clockwise ↻ to project bolt.

Note:

Latches have bottomed if worm gears click.

Tighten set screws. (Figure 22)

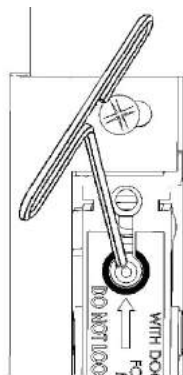


Figure 22

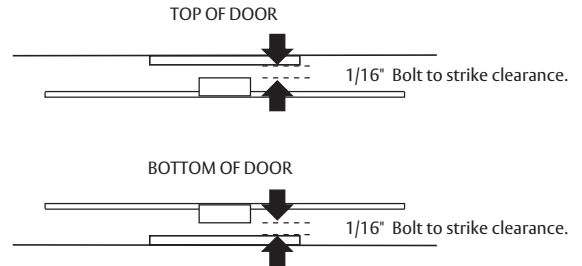


Figure 20

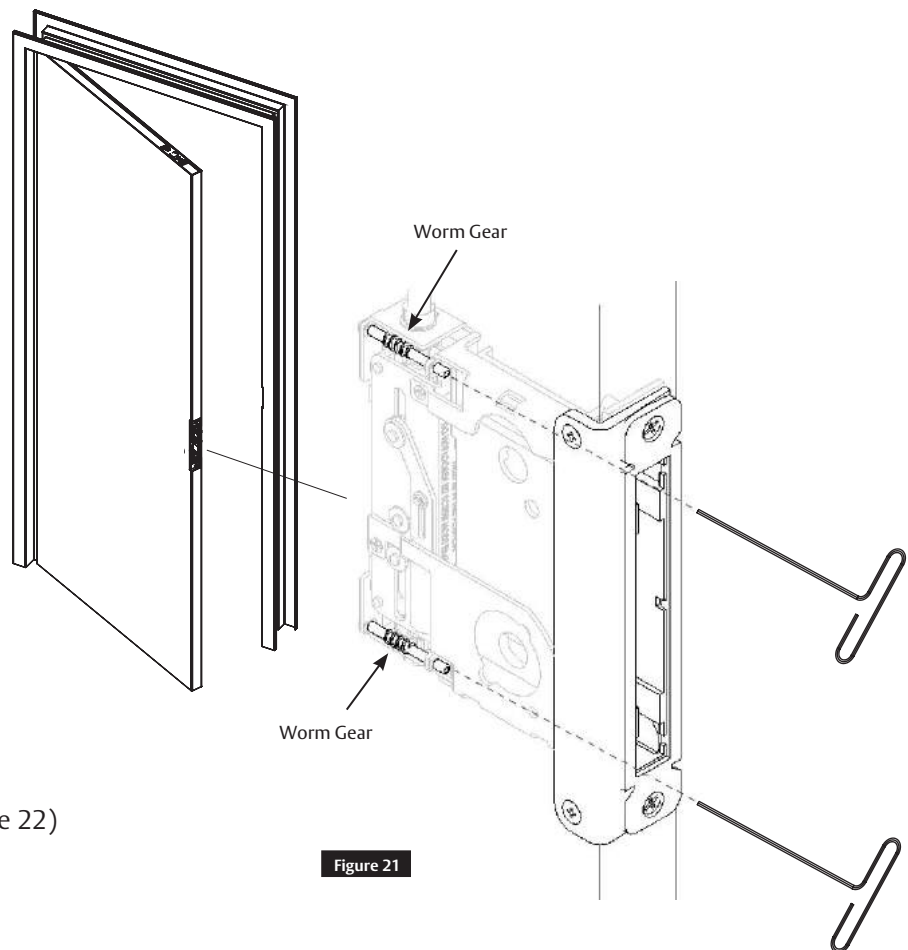


Figure 21

IMPORTANT:

Set screws must be fully tightened after adjustment.

3

Installation (cont.)

i

Mortise Lock Install

1. Remove two (2) #12-24 x1" flat head mounting screws. (Figure 23)

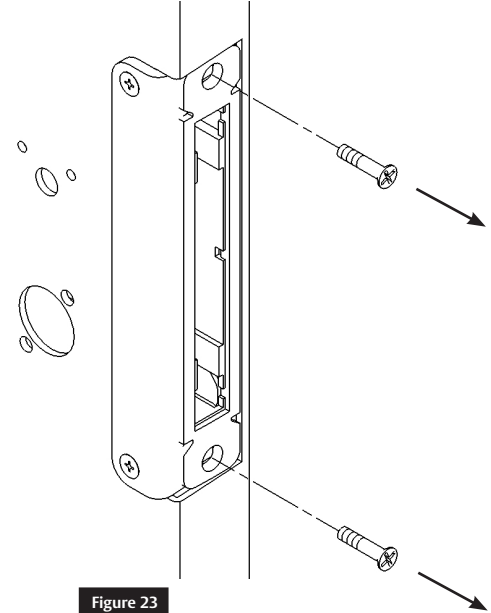


Figure 23

2. Remove mortise lock filler and discard. (Figure 24)

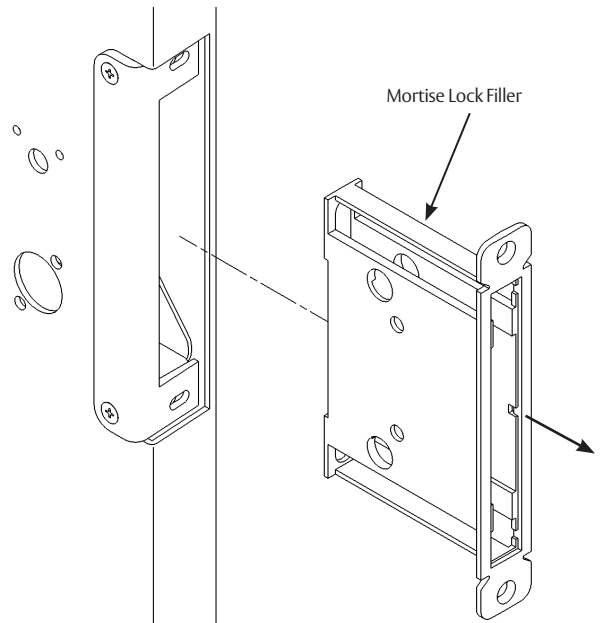


Figure 24

3. Install mortise lock, two (2) #12-24 x1" flat head mounting screws, outside front, and two (2) #8-32 x1/4" flat head screws. (Figure 25)

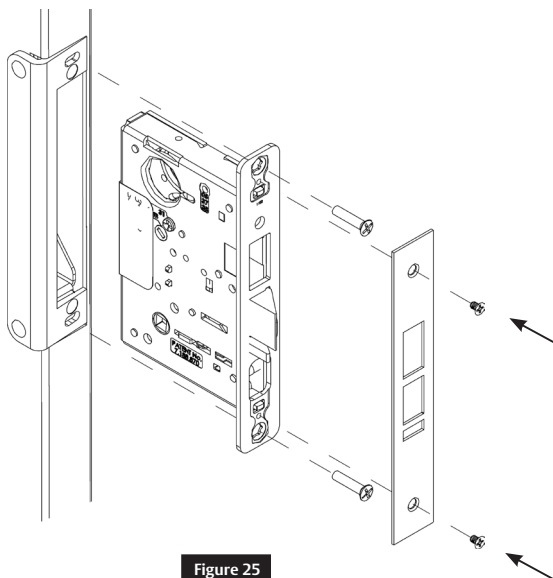


Figure 25

3

Installation (cont.)

j

Final Mortise Lock and Trim Installation

Follow supplied mortise lock installation instructions for trim and other function related hardware.

k

Electronic Access Control (EAC) Reader and Controller Installation

Follow supplied EAC Installation Instructions (if applicable).

l

Key Override With Deadbolt Function Operation Check

Verify hand and bevel of door to determine direction to rotate key and lever. Stand on outside of locked door when determining door hand. (Figure 26)

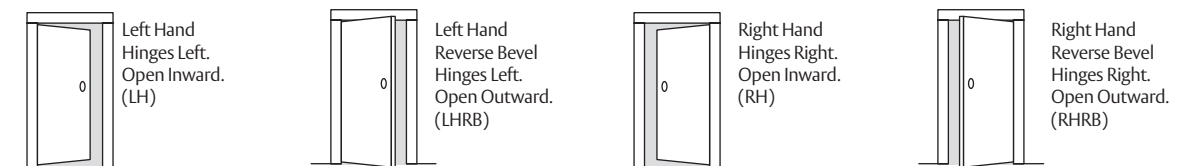


Figure 26

4. Rotate key to retract latch and hold. (Do not touch lever).
5. Continue holding key, rotate lever with other hand and open door. (Figure 27)

Note:

Graphic is for reference only; it does not represent all door hand options.

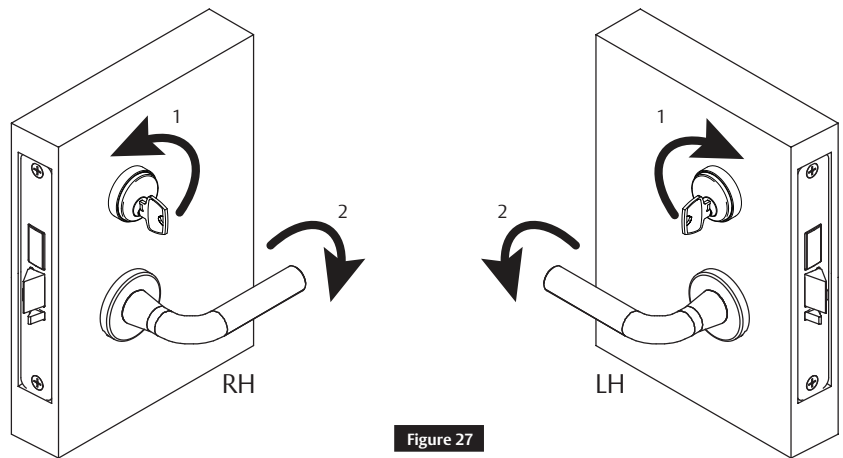


Figure 27

4

Optional Installation

a

Dogging Indicator Installation

1. Ensure door is latched and all bolts are projected.
2. Place plastic field template on pin in top rod through oval cut-out in door. (Figure 28)

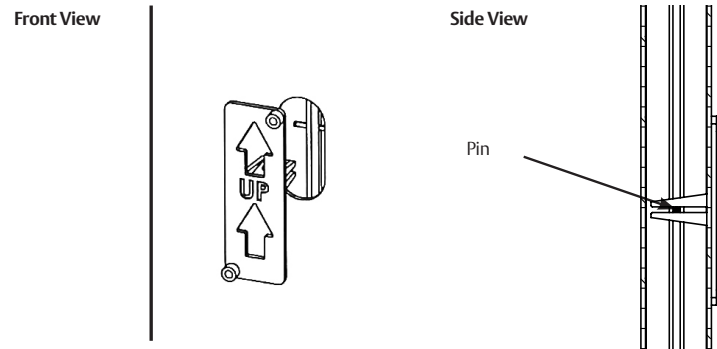


Figure 28

3. Using a #7 drill bit, drill two (2) holes completely through door, making sure drill remains square to face of door. (Figure 29)

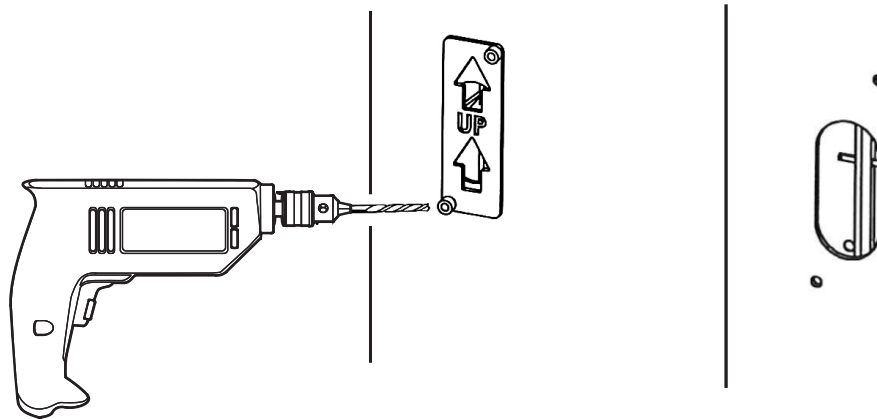


Figure 29

4. Countersink holes on opposite face of door to fit supplied oval head screws. (Figure 30)

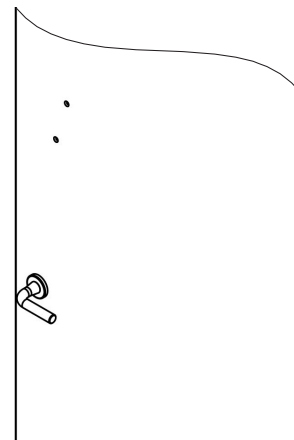


Figure 30

4

Optional Installation (cont.)

a

Dogging Indicator Installation (cont.)

5. Install indicator on inside of door using supplied 10-24 x 2" oval head screws. Make sure control fingers grab top rod pin as shown. (Figure 31)

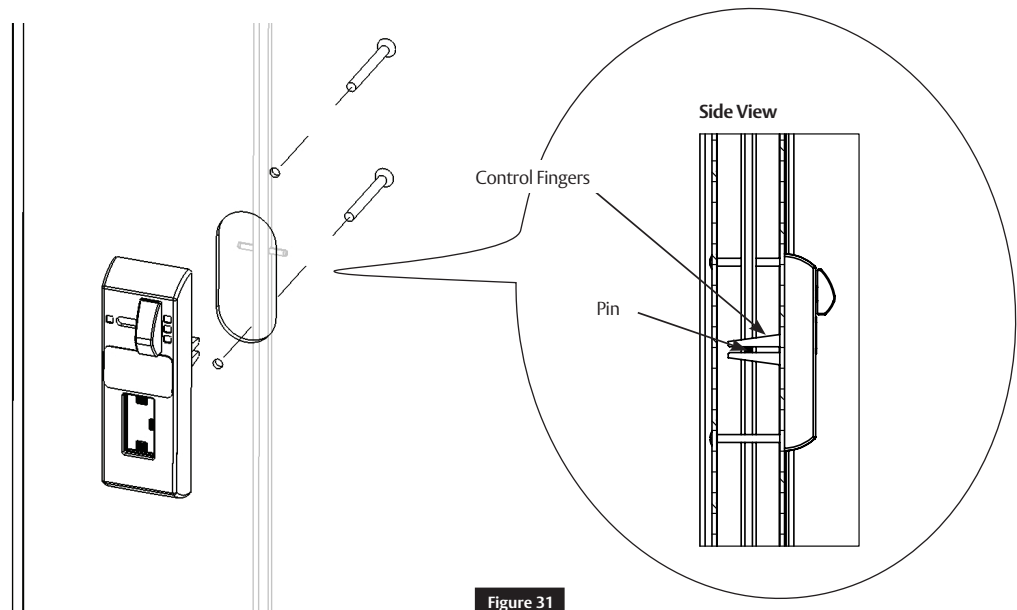


Figure 31

6. Check for proper operation. Rotate lever until indicator window shows a single latch point. (Figure 32)

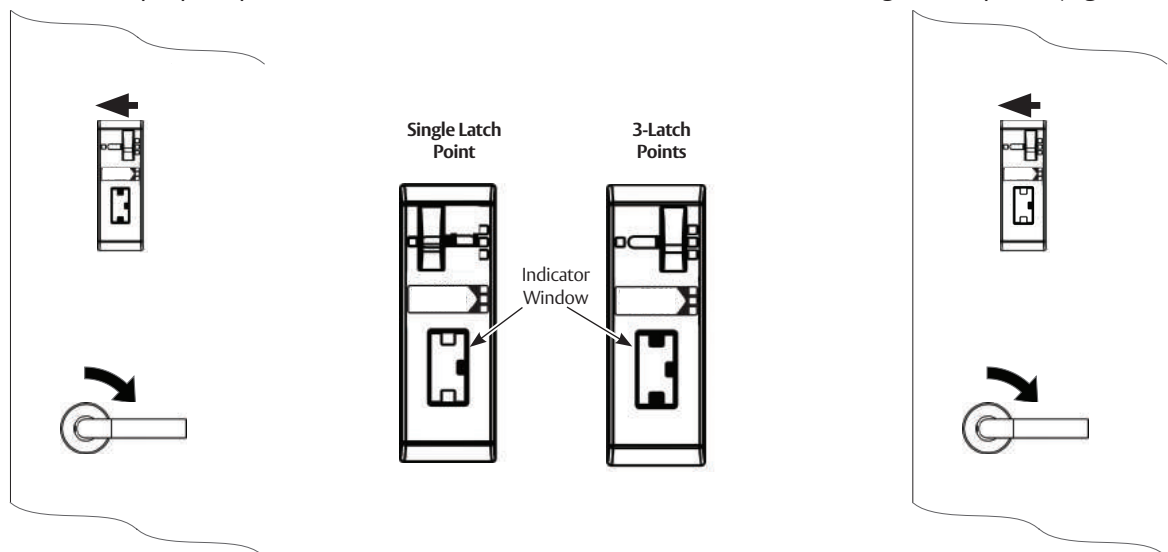


Figure 32

Note:

To dog top and bottom latches in a retracted state, fully rotate lever and move indicator slider to the left.

5

Addendum

This addendum is to be used as a reference for pre-installed hardware (latches and cassette). The following steps are for ease of reference as they have been completed in advance by the door manufacturer.

a

Check Door

1. Verify the door is:
 - Correct size and hand for opening.
 - Correctly prepared to Template 4740. (Figure 33)

IMPORTANT:

If measurement is incorrect, DO NOT PROCEED WITH INSTALLATION. Contact door manufacturer.

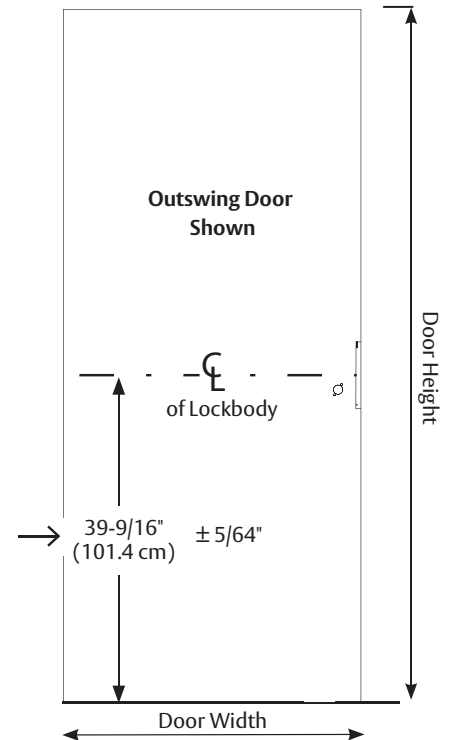


Figure 33

b

Place Door Horizontal on Sawhorse

(Figure 34)

Note:

Orient the door face holes on top.

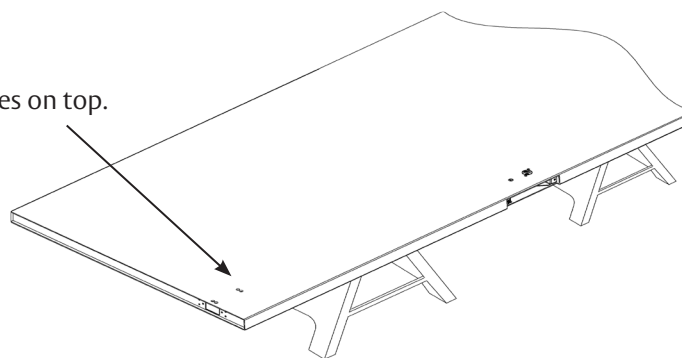


Figure 34

5

Addendum (cont.)

c

Install Lockbody Cassette

- Using the supplied 3/32" Allen wrench, rotate both Lockbody Cassette (LBC) worm gears to align slots in the LBC gears to the orientation shown. (Figure 35)

Alignment is needed for proper installation of the rod guide. (Step 3h)

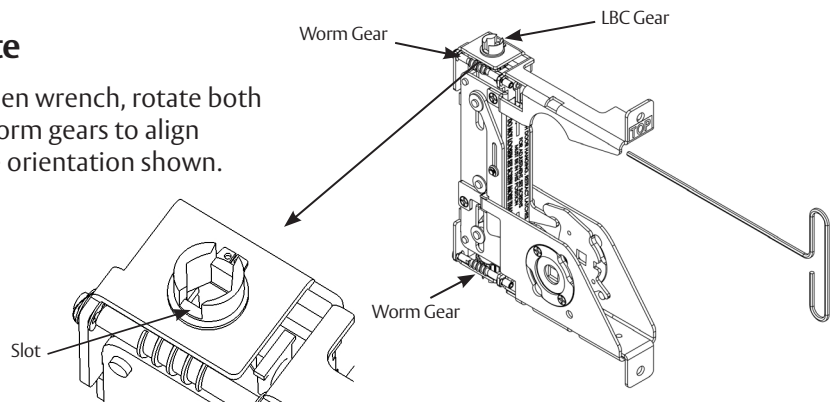


Figure 35

- Slide the LBC into the door case and secure with two (2) #12-24x1" flat head screws. (Figure 36)

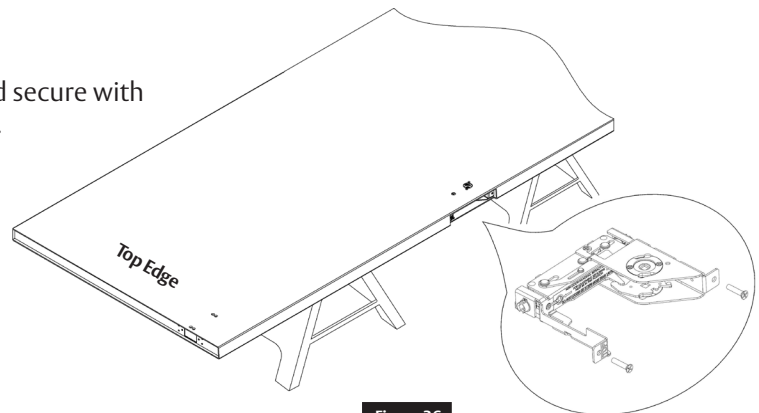


Figure 36

d

Latch Rod Guides

- Rod guides help installation by directing the rod into location in the LBC within the door cavity.
- Pull rod guides away from latches on both rods until they stop. (Figure 37)

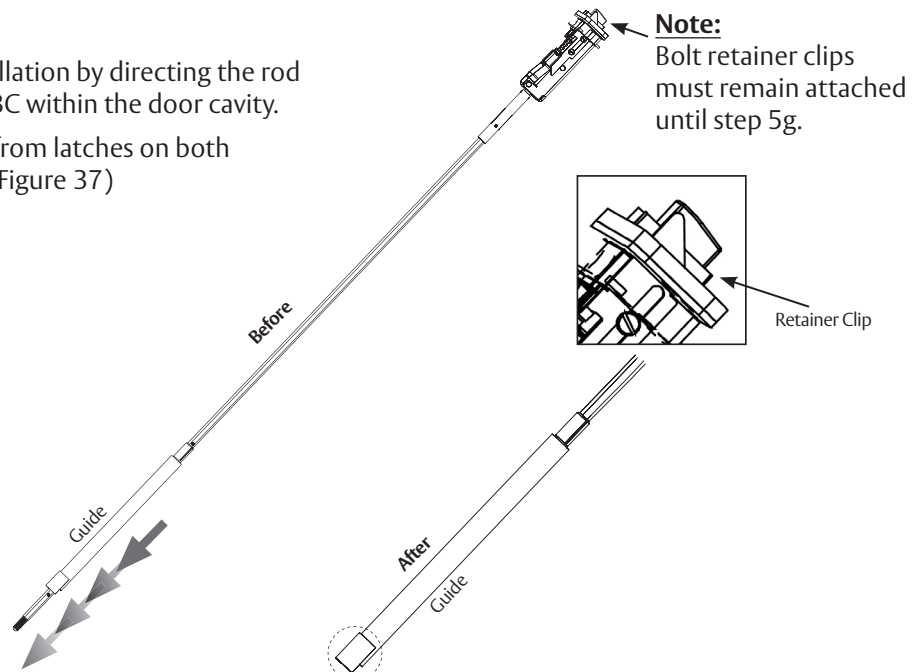


Figure 37

5

Addendum (cont.)

e

Feed Top Rod Into Door

1. Orient the latch chassis as shown. Rotate the rod and rod guide so the rod Guide Tab faces up. Slide the rod assembly into the door. Make sure the rod guide remains in the correct orientation with the Guide Tab facing up. (Figure 38)

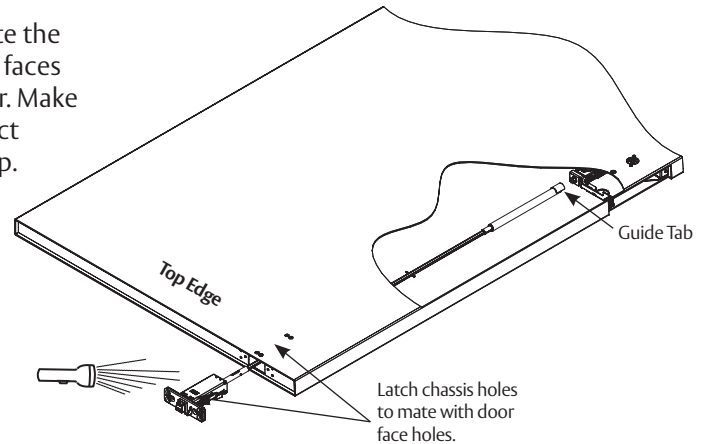


Figure 38

f

Align with Lockbody Cassette (LBC)

1. When approaching the LBC, slightly elevate the rod and slide the Guide Tab on outer diameter of the LBC gear. (Figure 39)

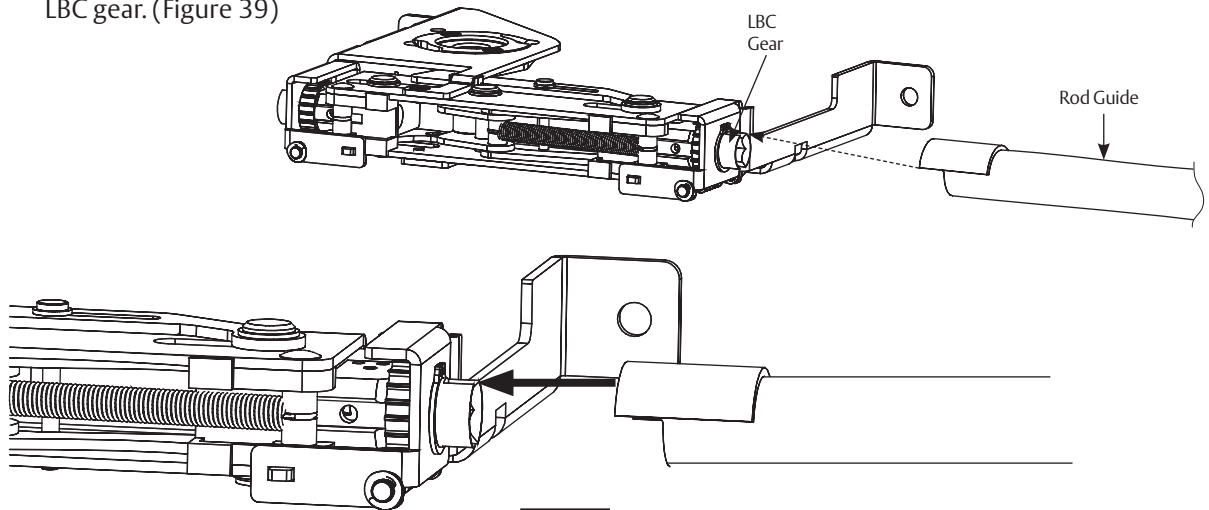


Figure 39

2. To align the hex of rod with the hex of the LBC gear, fit the rod guide tab into the LBC gear slot. Once aligned, push the rod assembly in until fully seated. (Figure 40)

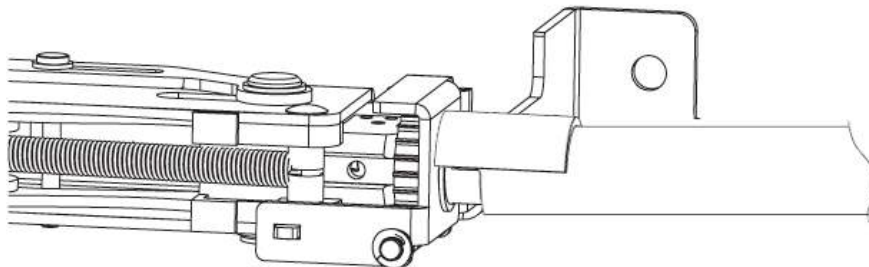


Figure 40

5

Addendum (cont.)

g

Troubleshoot Latch Installation

1. If the latch will not fully seat in the door, rod or rod guide is not aligned properly with LBC gear. (Figure 41)

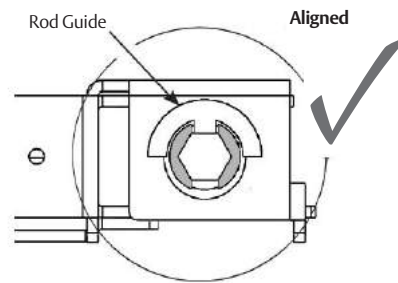
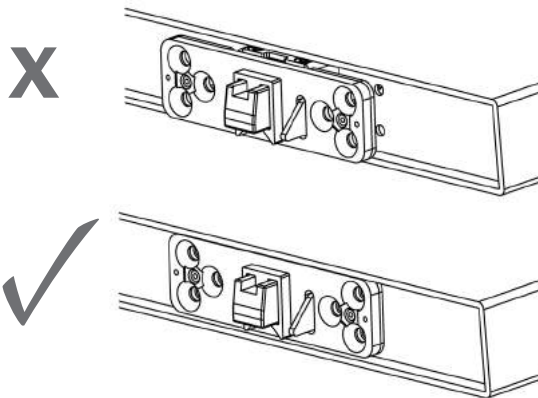
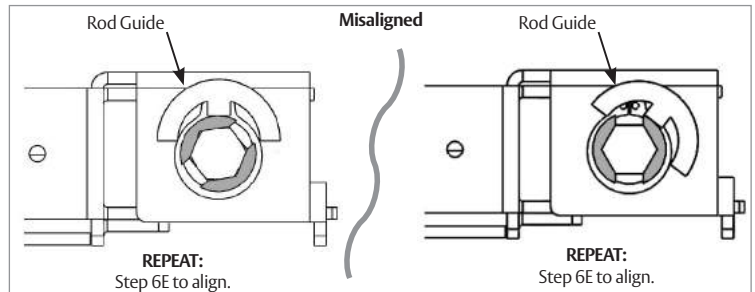


Figure 41

h

Correct Rod Installation Check

1. Be certain a portion of the red end of the rod can be seen in the LBC viewing window and set screw is in the location shown. (Figure 42)

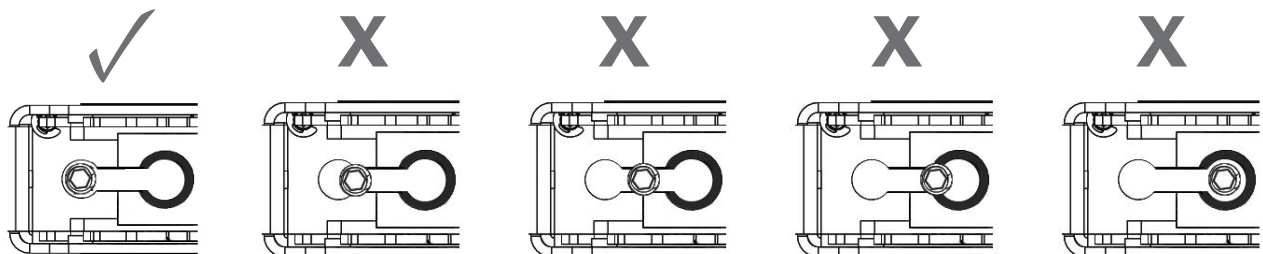
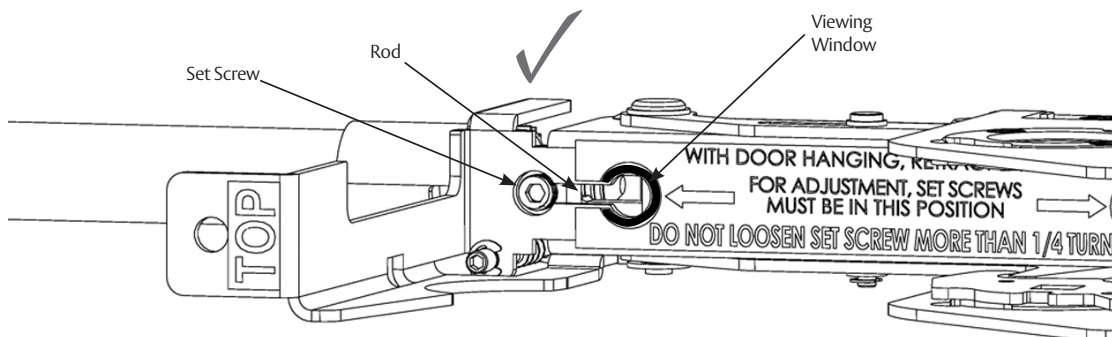


Figure 42

5

Addendum (cont.)

i

Secure Top Latch

1. Install four (4) 10-24 oval head screws on the face of the door. (Figure 43)

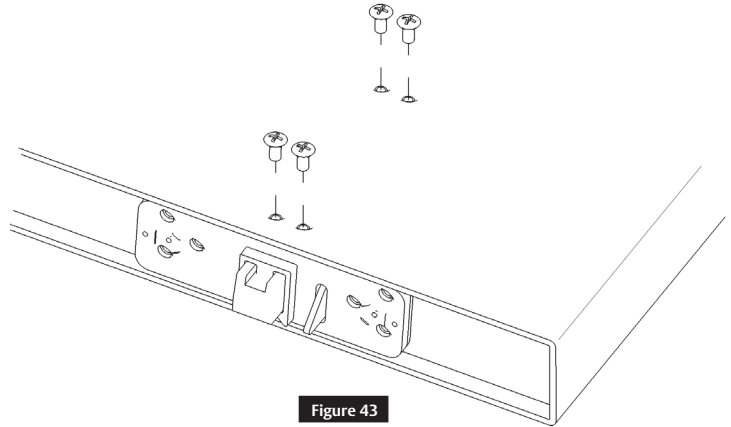


Figure 43

2. Install six (6) 1/4-20 flat head screws in the top edge of the door. (Figure 44)

Note:

Do not fully tighten until all screws are installed.

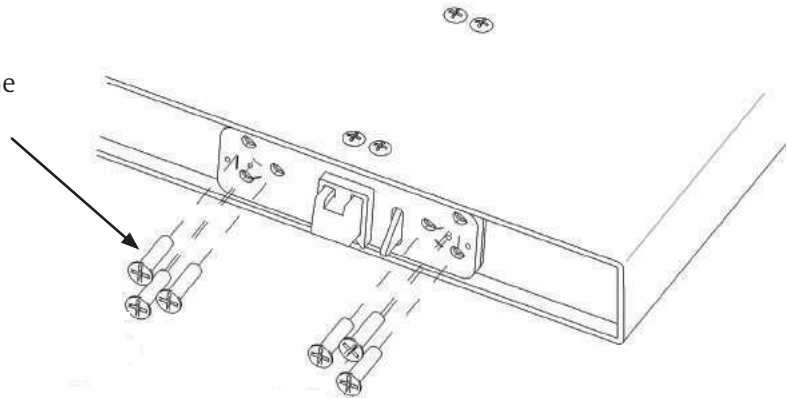


Figure 44

j

Tighten Set Screw

Using the supplied 1/8" Allen wrench, tighten the set screw to secure the rod to the LBC. (Figure 45)

IMPORTANT:

Latches will not retract if the set screw is not tightened.

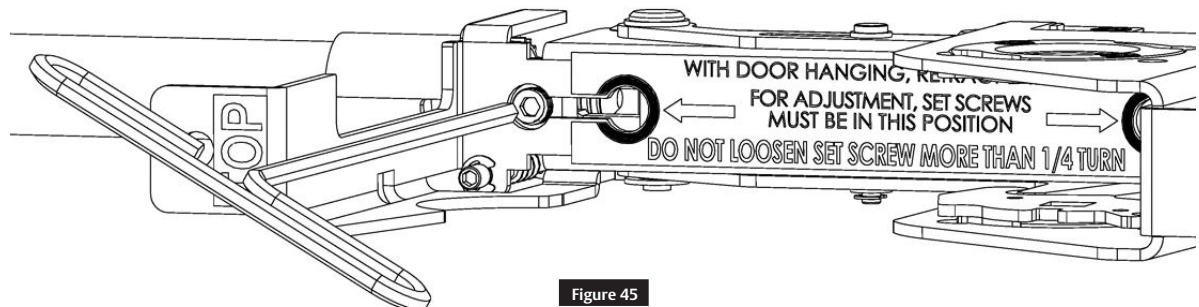


Figure 45

5

Addendum (cont.)

k

Bottom Latch Installation

REPEAT

Steps 5e through 5k to install bottom latch.
(Figure 46)

l

Check Latch

1. Remove the bolt retainer clips from the top and bottom latch assemblies.
(Figure 47)
2. Insert mortise trim in the door prep and cassette and rotate to verify latches fully retract (Figure 48). Confirm the set screw moves from circle to circle in the LBC viewing window (Figure 49). Do not install the mortise lock at this time.

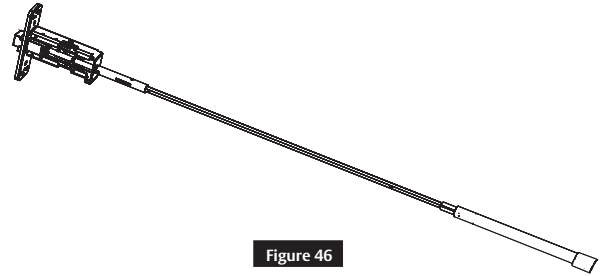


Figure 46

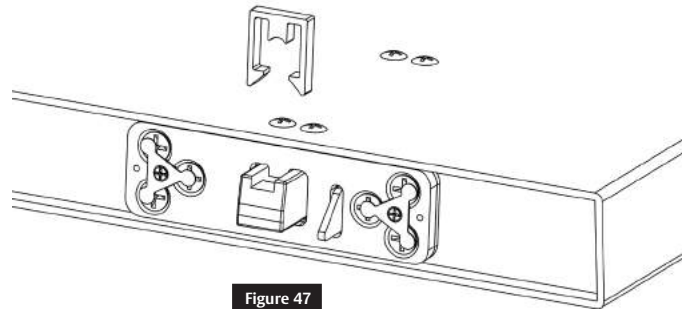


Figure 47

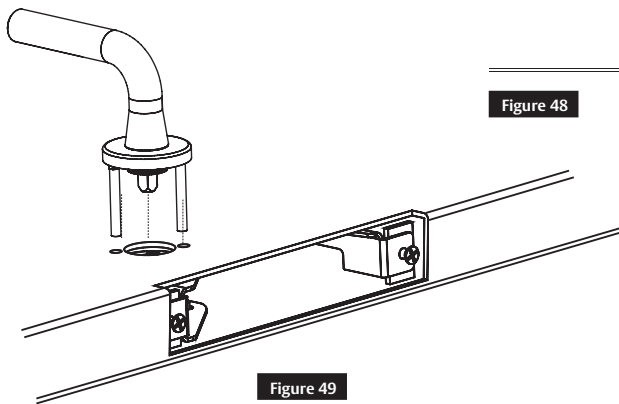


Figure 49

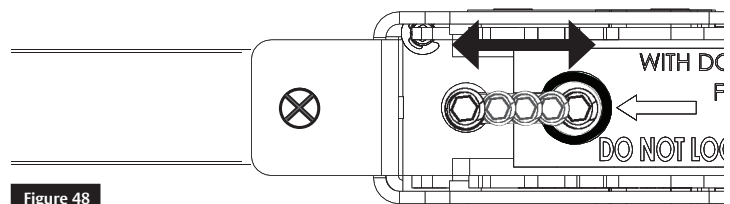


Figure 48

Note:

Push the black plunger on the top latch to project bolts. (Figure 50)

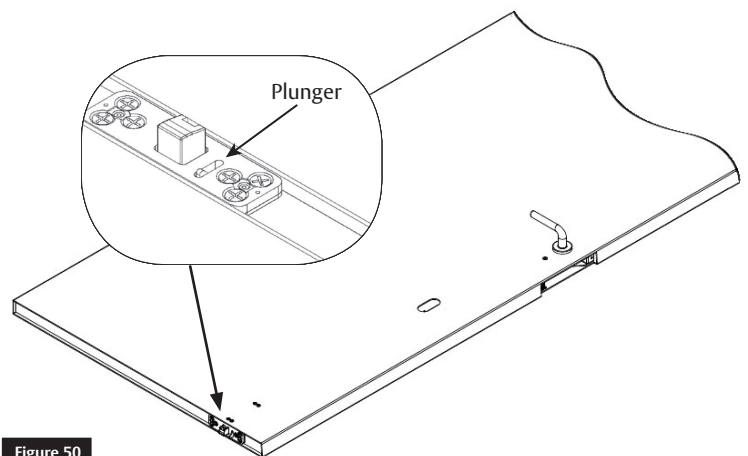


Figure 50

5

Addendum (cont.)

m

Mortise Reinforcer and Mortise Lock Installation

1. Remove the two (2) #12-24x1" flat head LBC mounting screws that are securing the lockbody case in the door. (Figure 51)
2. Place mortise reinforcer into the door.
3. Reinstall two (2) #12-24x1" flat head LBC mounting screws (DO NOT FORCE).
4. Install two (2) #12x1/4" self tapping screws through mortise reinforcer into the face of the door. (Figure 52)

Note:

Reinforcer lip belongs on the side of the door that has a special cutout at the door edge.

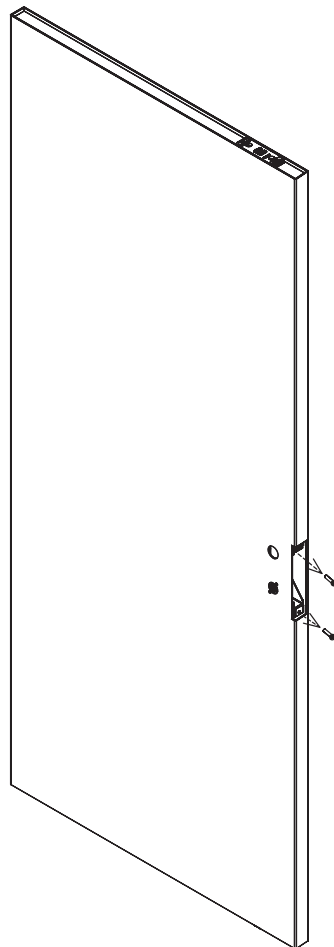


Figure 52

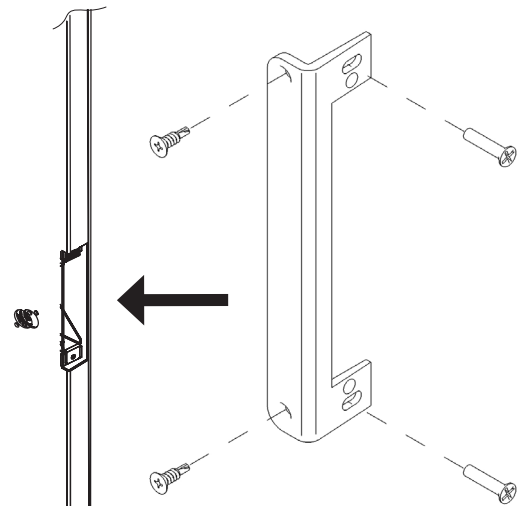


Figure 51

MP6600 Series

Multi-Point Lock

Installation Instructions



The ASSA ABLOY Group is the global leader in access solutions. Every day, we help billions of people experience a more open world.

ASSA ABLOY Opening Solutions leads the development within door openings and products for access solutions in homes, businesses and institutions. Our offering includes doors, frames, door and window hardware, locks, perimeter fencing, access control and service.



Corbin Russwin, Inc.
225 Episcopal Road
Berlin, CT 06037 USA
Phone: 800-543-3658
Fax: 800-447-6714
www.corbinrusswin.com

Corbin Russwin is a brand associated with ASSA ABLOY Access and Egress Hardware Group, Inc., an ASSA ABLOY Group company. Copyright © 2017, 2019, 2020 ASSA ABLOY Access and Egress Hardware Group, Inc. All rights reserved. Reproduction in whole or in part without the express written permission of ASSA ABLOY Access and Egress Hardware Group, Inc. is prohibited.

For installation assistance contact Corbin Russwin
1-800-543-3658 • techsupport.corbinrusswin@assaabloy.com

FM523 03/20