

MP9800 Installation Instructions

Fail Safe / Fail Secure Configuration

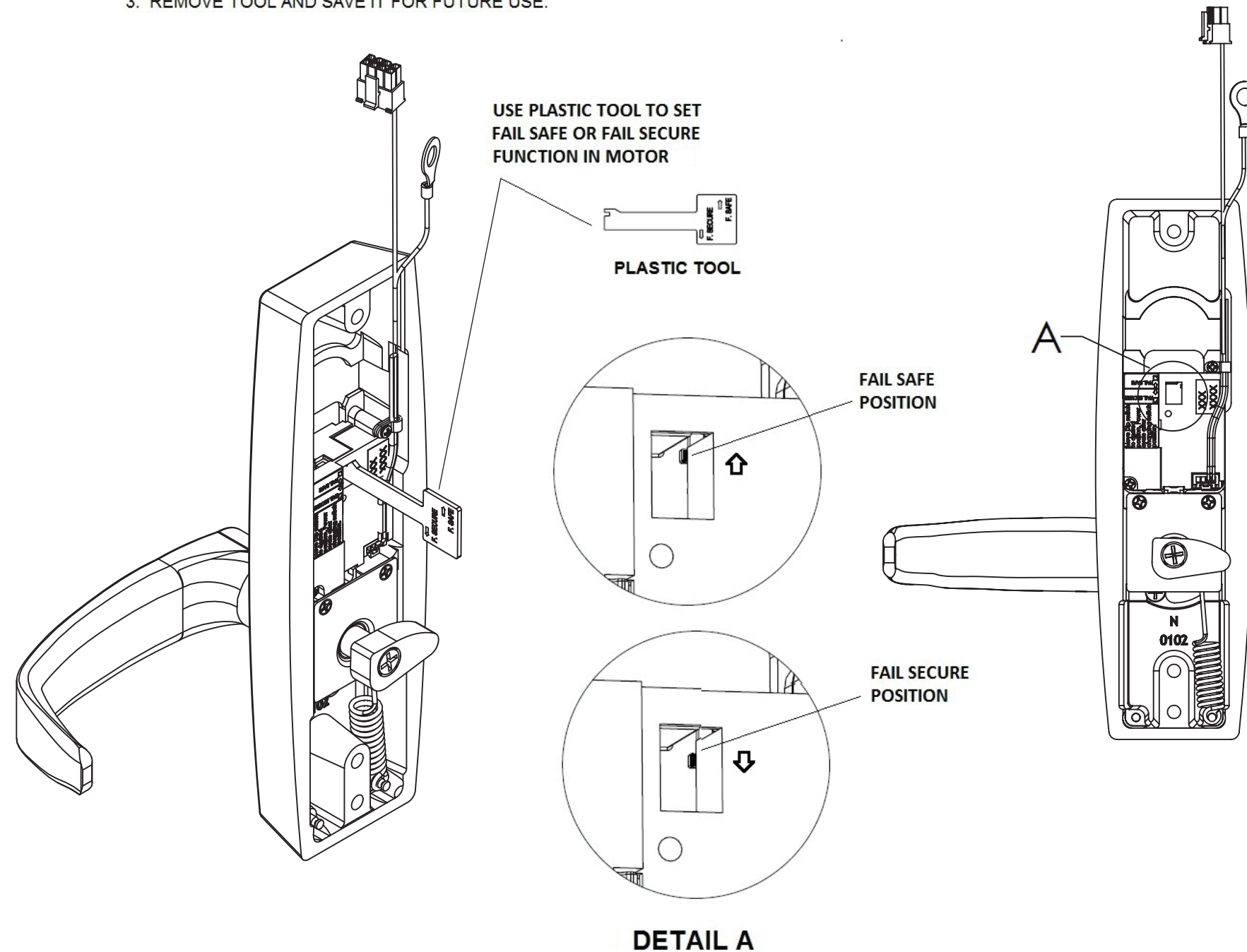
FM499 06/20

**Corbin
Russwin**

ASSA ABLOY

METHOD FOR SETTING FAIL SAFE / FAIL SECURE FUNCTION

1. INSERT THE PLASTIC TOOL (INCLUDED IN THE BOX) INSIDE THE SWITCH CASE (DETAIL A) ON THE ECOFLEX MOTOR, ALIGN THE TOOL NOTCH WITH THE MOTOR SWITCH.
2. MOVE SWITCH TO THE CORRECT POSITION (SEE GRAPHICS)
3. REMOVE TOOL AND SAVE IT FOR FUTURE USE.



METHOD FOR INSTALLING THE TRIM WITH GROUND LUG

1. INSERT THRU BOLTS (INCLUDED IN THE BOX) THROUGH THE HOLES IN THE DOOR.
2. ALIGN TRIM TO THE THRU BOLTS.
3. SLIDE GROUND LUG OVER THE UPPER THRU BOLT.
4. SCREW THE THRU BOLTS TO THE TRIM, LEAVING THE GROUND LUG BETWEEN THE DOOR.

