

MP9800 Series

Multi-Point Vertical Rod Lock Parts Manual



Experience a safer
and more open world

MP9800 for Metal & Aluminum Doors.....	3
Motorized Electric Latch Retraction for MP9800.....	4
MP9800 for Wood Doors.....	5



Experience a safer
and more open world

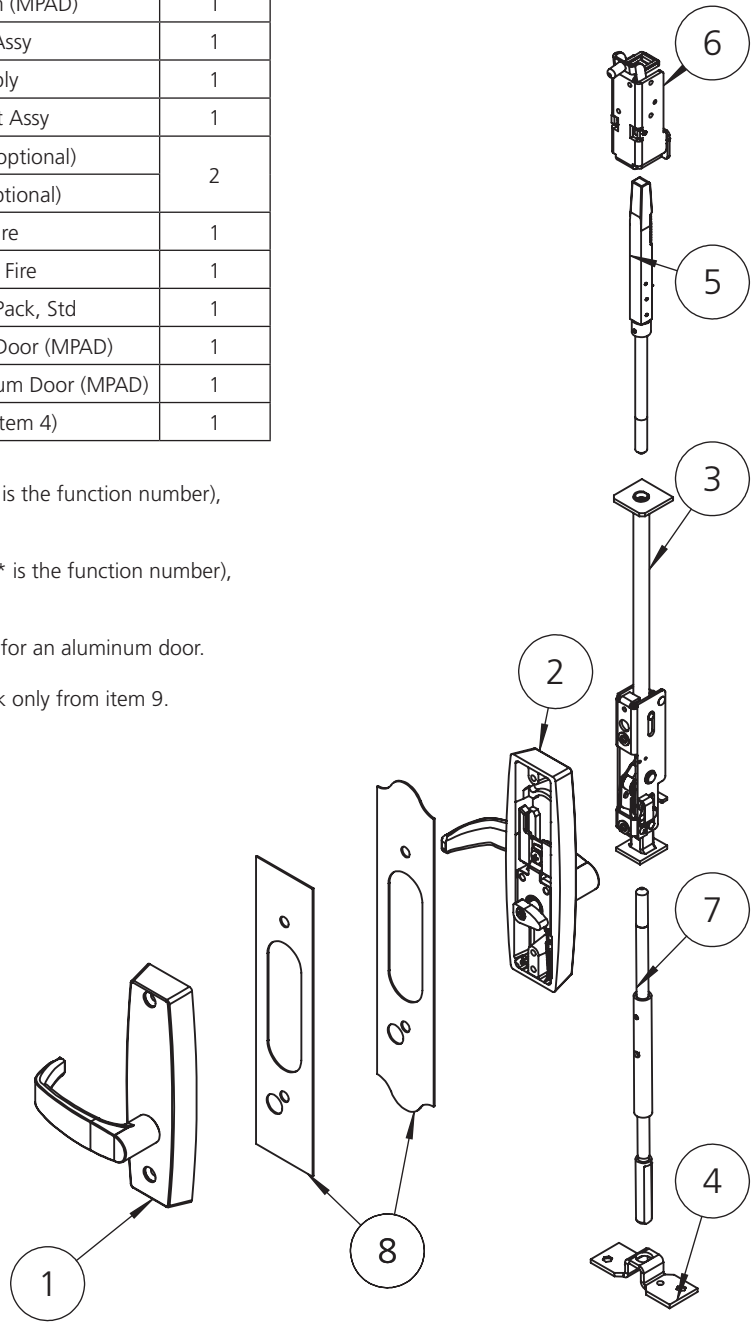
The warranty on Corbin Russwin products becomes void if the product is modified in any way, regardless of whether the modifications causes or contributes to any alleged defect. If a Corbin Russwin product is modified it may no longer meet industry certification and quality control standards applicable to the original product and is no longer a genuine Corbin Russwin product.

Copyright © 2019-2021, ASSA ABLOY Access and Egress Hardware Group, Inc. All rights reserved. Reproduction in whole or in part without the express written permission of ASSA ABLOY Access and Egress Hardware Group, Inc. is prohibited. Patent pending and/or patent www.assaabloydss.com/patents.

Item	Part Number	Description	Quantity
1	N**ET ¹	Inside Trim Assembly	1
2	E**ET ²	Outside Trim Assembly	1
3	764F488	Inner Chassis Assembly	1
	764F508	Monitoring Inner Chassis Assembly	
4	764F538	Bottom Case	1
	764F528	Bottom Case, Aluminum (MPAD)	1
5	MP694T ³	Top Rod And Bolt Assy	1
6	764F558	Top Case Assembly	1
7	765F358	Bottom Rod And Bolt Assy	1
8	765F122 FIN ⁵	Rectangular Trim Plate (optional)	2
	765F132 FIN ⁵	Sculpted Trim Plate (optional)	
9 ⁶	764F577	Top Strike Pack, Fire	1
	764F587	Bottom Strike Pack, Fire	1
	764F567	Top And Bottom Strike Pack, Std	1
	764F607	Top Strike Pack, Aluminum Door (MPAD)	1
	764F597	Top & Btm Strikes Pack, Aluminum Door (MPAD)	1
10 ⁶	764F62M FIN ⁵	Screw Pack (Includes Item 4)	1

Notes:

- Specify lever design, inside trim function (i.e. N**ET where ** is the function number), finish, handing & door thickness, respectively.
Example: L N10ET 626 RHR 1 3/4"
- Specify lever design, outside trim function (i.e. E**ET where ** is the function number), finish, handing & door thickness, respectively.
Example: A E45ET 605 LHR 2"
- For rod assemblies, specify door height. Choose option MPAD for an aluminum door.
Example: MP694T H0800 MPAD
- For M55 option, omit items 4 & 7 and choose a top strike pack only from item 9.
- Specify finish when ordering.
- Item 9 & 10 not shown.



The warranty on Corbin Russwin products becomes void if the product is modified in any way, regardless of whether the modifications causes or contributes to any alleged defect. If a Corbin Russwin product is modified it may no longer meet industry certification and quality control standards applicable to the original product and is no longer a genuine Corbin Russwin product.

Copyright © 2019-2021, ASSA ABLOY Access and Egress Hardware Group, Inc. All rights reserved. Reproduction in whole or in part without the express written permission of ASSA ABLOY Access and Egress Hardware Group, Inc. is prohibited. Patent pending and/or patent www.assaabloydss.com/patents.



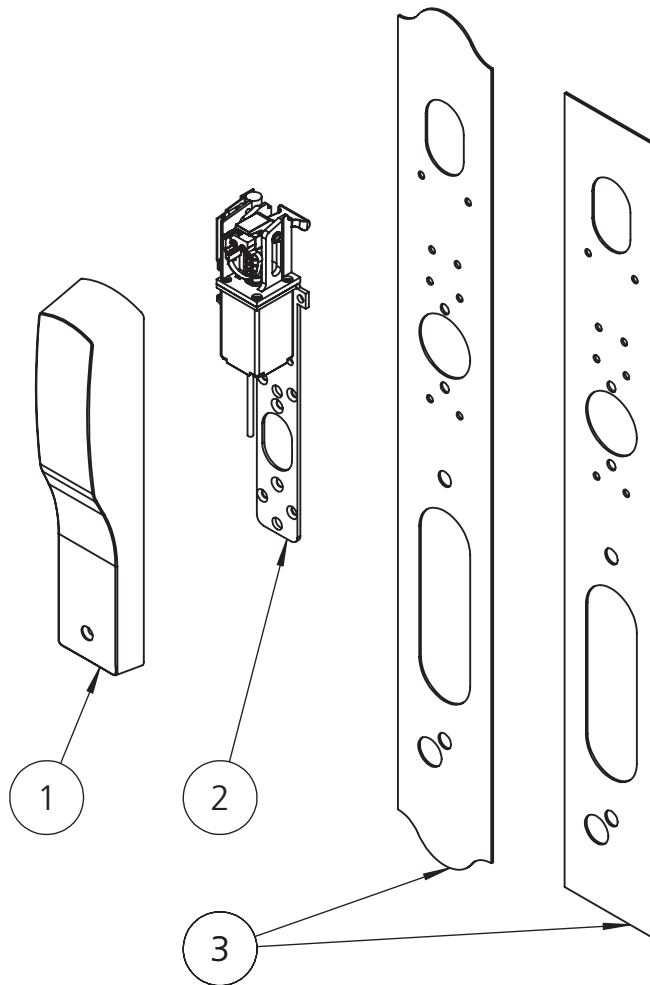
Experience a safer and more open world

Motorized Electric Latch Retraction for MP9800

Item	Part Number	Description	Quantity
1	765F452 FIN ¹	Cover Assembly	1
2	765F839	MELR Assembly	1
	765F849	MELR Assembly, Access 600 RNE1	1
3	766F942 FIN ^{1,2}	Rectangular Trim Plate, MELR (optional)	1
	766F952 FIN ^{1,2}	Sculpted Trim Plate, MELR (optional)	
4	764F348	Mounting Hardware	1
	764F358 ²	Mounting Hardware, Wood Door (MPWD)	1

Notes:

1. Specify finish when ordering.
2. Required for wood doors (MPWD).



Experience a safer
and more open world

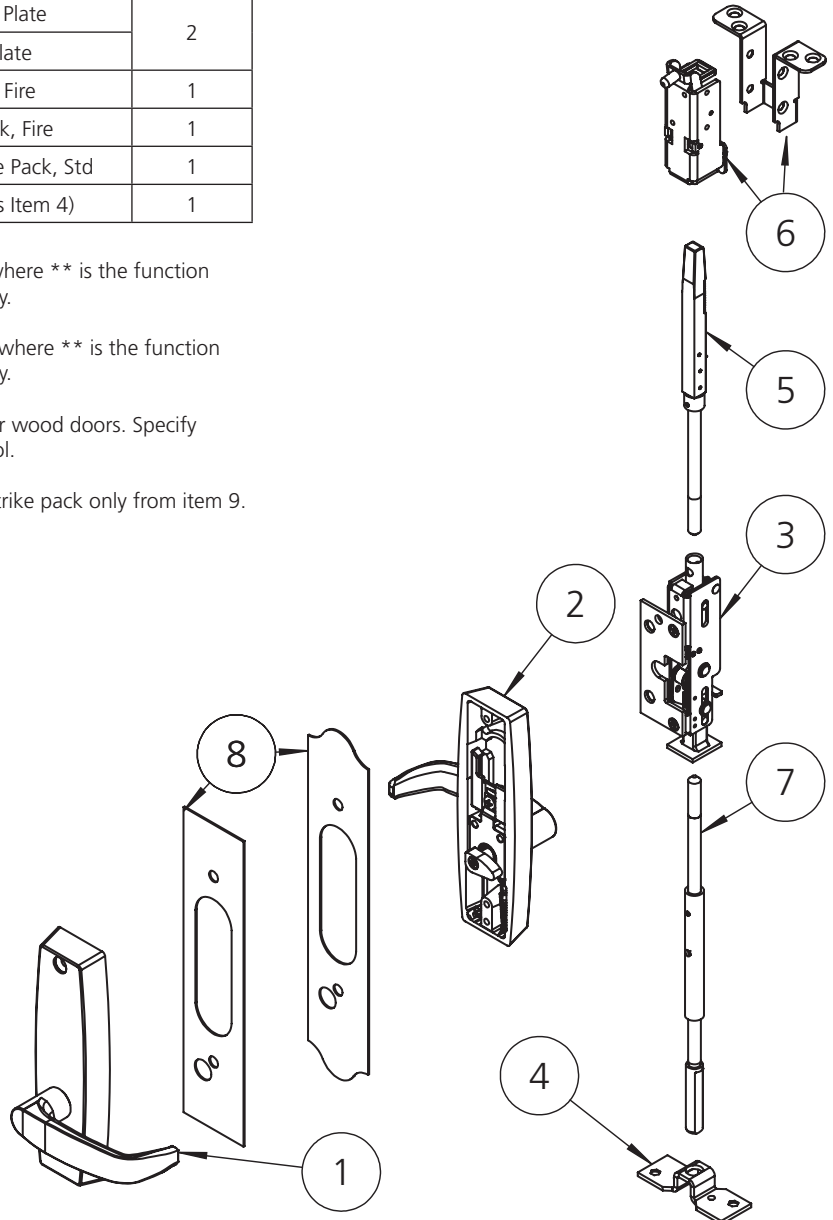
The warranty on Corbin Russwin products becomes void if the product is modified in any way, regardless of whether the modifications causes or contributes to any alleged defect. If a Corbin Russwin product is modified it may no longer meet industry certification and quality control standards applicable to the original product and is no longer a genuine Corbin Russwin product.

Copyright © 2019-2021, ASSA ABLOY Access and Egress Hardware Group, Inc. All rights reserved. Reproduction in whole or in part without the express written permission of ASSA ABLOY Access and Egress Hardware Group, Inc. is prohibited. Patent pending and/or patent www.assaabloydss.com/patents.

Item	Part Number	Description	Quantity
1	N**ET1	Inside Trim Assembly	1
2	E**ET ²	Outside Trim Assembly	1
3	764F498	Inner Chassis Assembly	1
	764F518	Monitoring Inner Chassis Assembly	
4	764F538	Bottom Case	1
5	MP694T ³	Top Rod And Bolt Assy	1
6	764F548	Top Case Assembly	1
7	765F358	Bottom Rod And Bolt Assy	1
8	765F122 FIN ⁵	Rectangular Trim Plate	2
	765F132 FIN ⁵	Sculpted Trim Plate	
9 ⁶	764F577	Top Strike Pack, Fire	1
	764F587	Bottom Strike Pack, Fire	1
	764F567	Top And Bottom Strike Pack, Std	1
10 ⁶	764F62M FIN ⁵	Screw Pack (Includes Item 4)	1

Notes:

- Specify lever design, inside trim function (i.e. N**ET where ** is the function number), finish, handing & door thickness, respectively.
Example: L N10ET 626 RHR 1 3/4"
- Specify lever design, outside trim function (i.e. E**ET where ** is the function number), finish, handing & door thickness, respectively.
Example: A E45ET 605 LHR 2"
- For rod assemblies, specify door height and MPWD for wood doors. Specify option AUX155 or AUX159 if used with an aux control.
Example: MP694T H0900 MPWD AUX155
- For M55 option, omit items 4 & 7 and choose a top strike pack only from item 9.
- Specify finish when ordering.
- Item 9 & 10 not shown.



The warranty on Corbin Russwin products becomes void if the product is modified in any way, regardless of whether the modifications causes or contributes to any alleged defect. If a Corbin Russwin product is modified it may no longer meet industry certification and quality control standards applicable to the original product and is no longer a genuine Corbin Russwin product.

Copyright © 2019-2021, ASSA ABLOY Access and Egress Hardware Group, Inc. All rights reserved. Reproduction in whole or in part without the express written permission of ASSA ABLOY Access and Egress Hardware Group, Inc. is prohibited. Patent pending and/or patent www.assaabloydss.com/patents.



Experience a safer and more open world

The ASSA ABLOY Group is the global leader in access solutions. Every day, we help billions of people experience a more open world.

ASSA ABLOY Opening Solutions leads the development within door openings and products for access solutions in homes, businesses and institutions. Our offering includes doors, frames, door and window hardware, locks, perimeter fencing, access control and service.



For additional information, contact your
ASSA ABLOY Door Security Solutions
sales consultant or visit www.corbinrusswin.com.

In U.S.

Corbin Russwin
225 Episcopal Road
Berlin, CT 06037
Phone: 800-543-3658
Fax: 800-447-6714
www.corbinrusswin.com

In Canada

ASSA ABLOY Door
Security Solutions Canada
160 Four Valley Drive
Vaughan, Ontario
Canada L4K 4T9
Phone: 800-461-3007
Fax: 800-461-8989
www.assaabloydss.ca