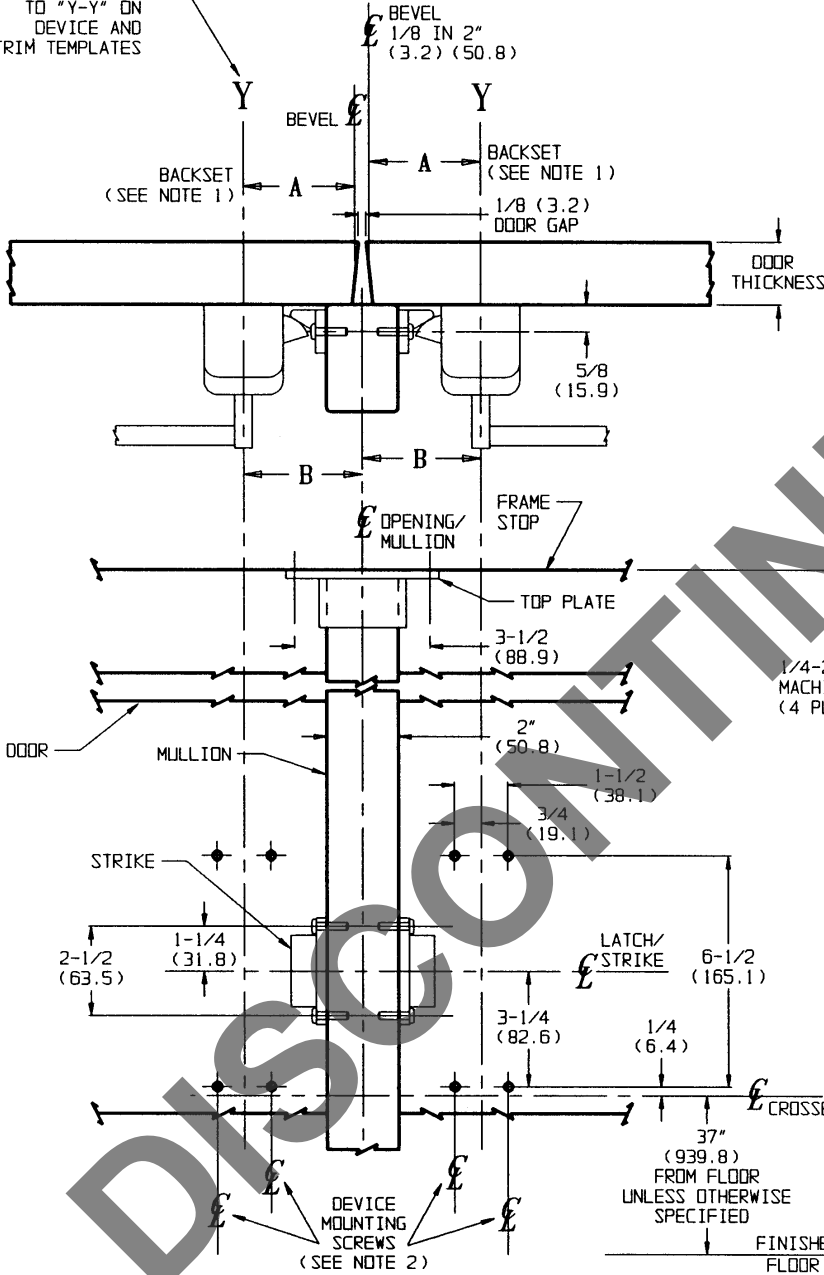


DOUBLE DOOR APPLICATIONS ONLY

TEMPLATE CROSS REFERENCE (FOR SINGLE DOOR APPLICATIONS)

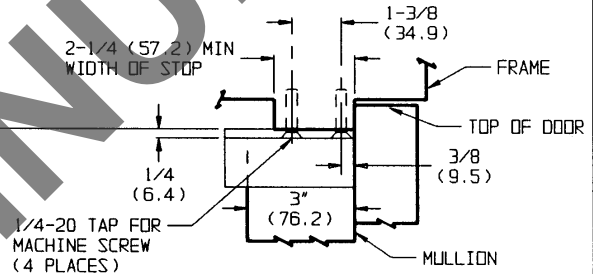
DESCRIPTION	TEMPLATE
ED6200 SERIES RIM DEVICE	T30566

LINES "Y-Y"
CORRESPOND
TO "Y-Y" ON
DEVICE AND
TRIM TEMPLATES

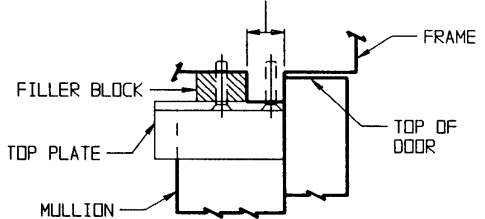


NOTES:

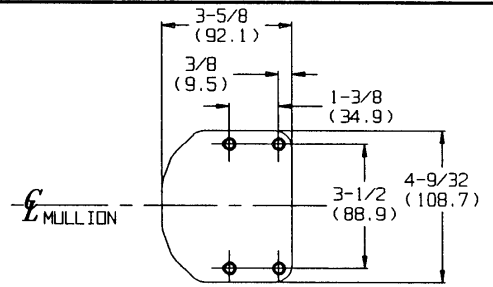
- BACKSET IS MEASURED FROM CENTERLINE OF BEVEL WHICH IS CENTERPOINT OF DOOR THICKNESS.
- FOR OTHER DEVICE AND STRIKE MOUNTING SPECIFICATIONS, REFER TO APPROPRIATE SINGLE DOOR APPLICATION TEMPLATE.
- FOR PREPARATION OF TRIM, REFER TO SEPARATE TEMPLATE.
- DIMENSIONS GIVEN IN INCHES AND (MM).



FOR FRAME STOP LESS THAN 2-1/4\" (57.2) WIDE, USE FILLER BLOCK AS SHOWN (TO BE FURNISHED BY OTHERS)



FILLER BLOCK APPLICATION



TOP PLATE DETAIL

STRIKE		A	B	MINIMUM STILE
PACKET	FURNISHED	BACKSET		
145F55	REGULAR	3-5/32 (80.2)	3-9/32 (83.3)	4-1/2 (114.3)
145F56	OPTIONAL S05	2-31/32 (75.4)	3-3/32 (78.6)	4-5/16 (109.5)

RESPONSIBILITY

Door and Frame Manufacturers are responsible for providing adequate construction or reinforcements for proper installation of hardware shown. All architectural builders hardware must be installed on properly reinforced doors and frames, regardless of the type, material, or method of construction.

ED6200 SERIES BY
508 AND 510 MULLIONS

CROSSBAR RIM DEVICE

**Corbin
Russwin**
www.corbinrusswin.com

DO NOT SCALE DRAWING

SUPERSEDES	VT30503	DR.	KJ	
DATE	6/2/93	TEMPLATE NUMBER	T30503	