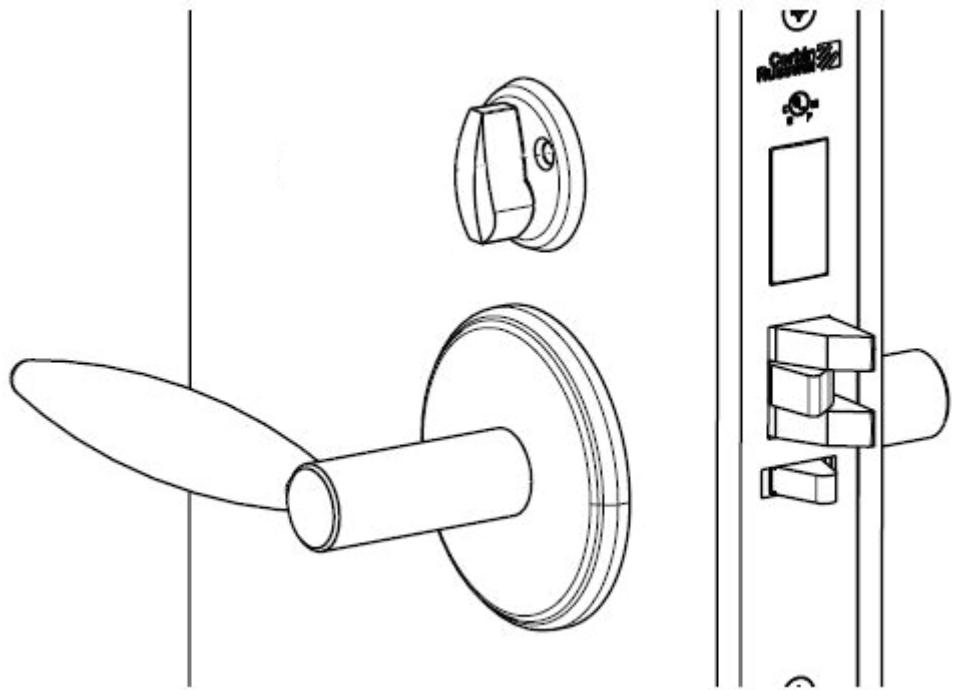


Muséo Designer Trim

Mortise Lock



WARNING

This product can expose you to lead which is known to the state of California to cause cancer and birth defects or other reproductive harm. For more information go to www.P65warnings.ca.gov.

TOC	Table of Contents
1	Door Preparation.....3
2	Lock Handing.....4
3	Full Working Trim.....5
a	Sectional5
b	R & L Escutcheon7
4	Half Working Trim9
a	Sectional9
b	R & L Escutcheon 11
5	Full Dummy Trim 12
a	Sectional 12
b	R & L Escutcheon 13
6	Half Dummy Trim..... 14
a	Sectional 14
b	R & L Escutcheon 15
7	Secondary Trim Attachment 16

1

Door Preparation

Full Working Trim	Template
Lock-Body Prep	T31046
Sectional (No additional prep beyond)	T31046
R&L Escutcheon	T31047
Half Working Trim	Template
Lock-Body Prep	T31162
Sectional (No additional prep beyond)	T31162
R&L Escutcheon	T31164
Full Dummy Trim	Template
Sectional	T31163
R&L Escutcheon	T30651
Half Dummy Trim	Template
Sectional	T31163
R&L Escutcheon	T30652

All working trim must first be prepared for the lock-body, then for the trim.

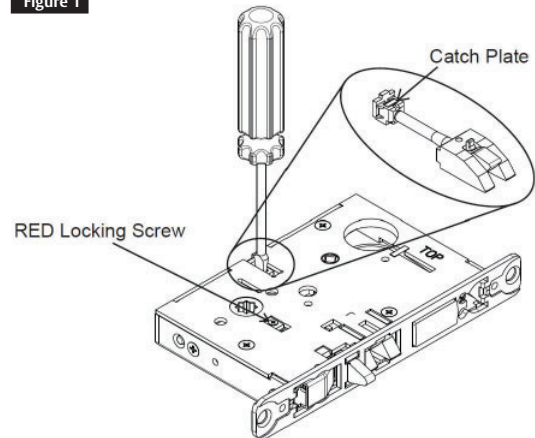
All templates can be found at www.CorbinRusswin.com

2 Mortise Lock Handing Instructions

Lock handing is critical to ensure lock functions properly.

Step 1) Move the RED locking screw to the side of the lock-body being locked. (Figure 1)

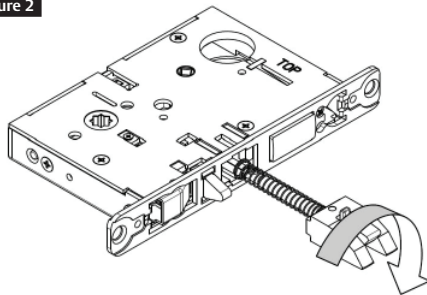
Figure 1



Step 2) Push in latch, then depress catch plate with a screw driver. (Figure 1)

Step 3) Pull latch out of lock-body and turn latch over. (Figure 2)

Figure 2



Step 4) Push in latch while holding screw driver behind latch tail. Lock-in can occur if latch is not properly installed. (Figure 3)

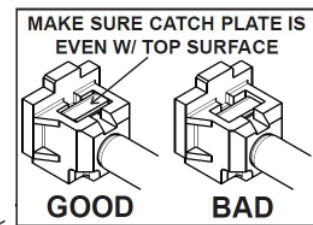


Figure 4

NOTE: Push in latch until catch plate is no longer depressed. (Figure 4)

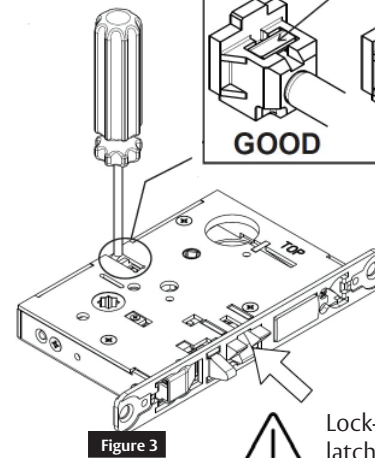


Figure 3

Step 5) Rotate lock front to match bevel of the door as shown. (Figure 5)

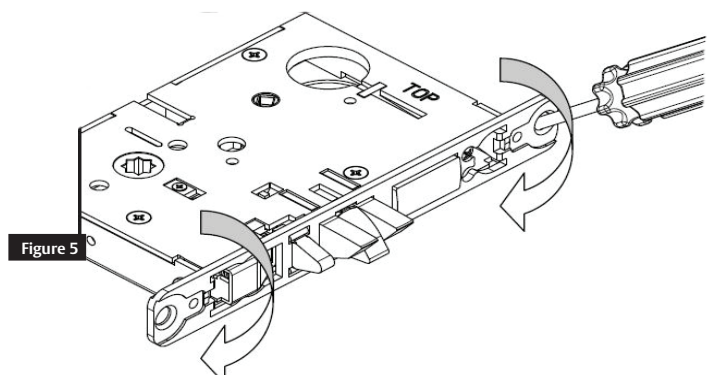


Figure 5

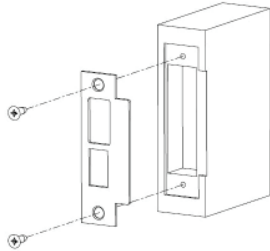
3

Full Working Sectional Trim Installation

a

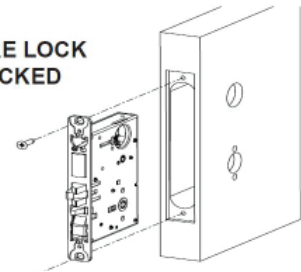
Sectional

Step 1) Install strike with shorter (3/4") mounting screws.



Step 2) Insert mortise lock into door and hand tighten longer (1") mounting screws.

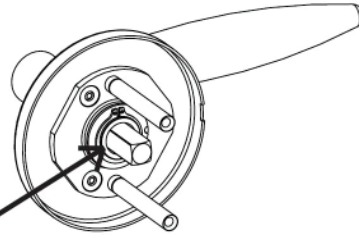
MAKE SURE LOCK IS UNLOCKED



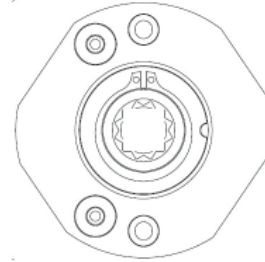
Step 3) Thread adapter plate hub into lever and fully tighten.

NOTE: Spindle can be used to help thread hub into lever

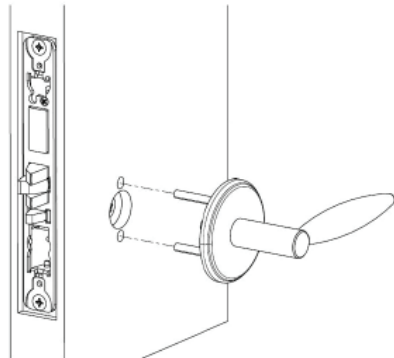
Adapter Plate Hub



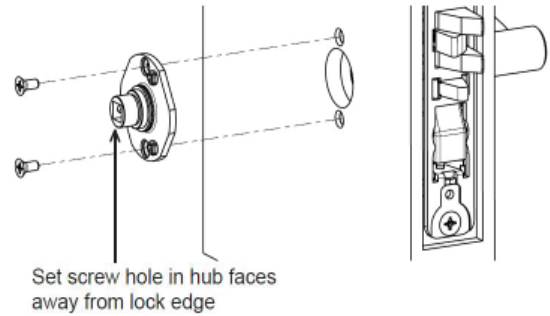
Step 4) Align adapter plate hub with square hole in lever, keeping hub as tight as possible.



Step 5) Install outside trim assembly.



Step 6) Install inside adapter plate.



Use Correct Spindle Orientation



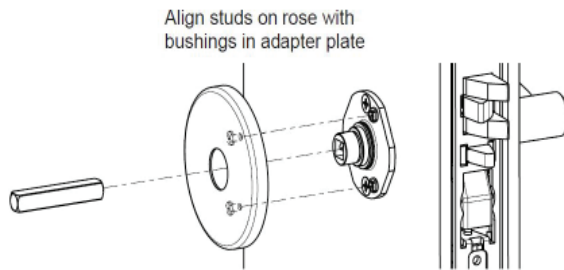
3

Full Working Sectional Trim Installation

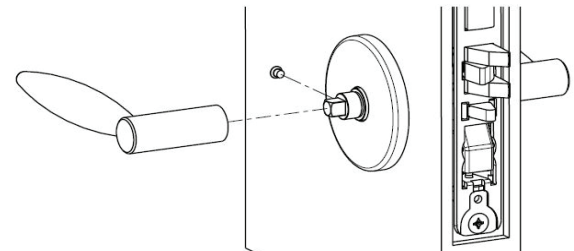
a

Sectional, continued

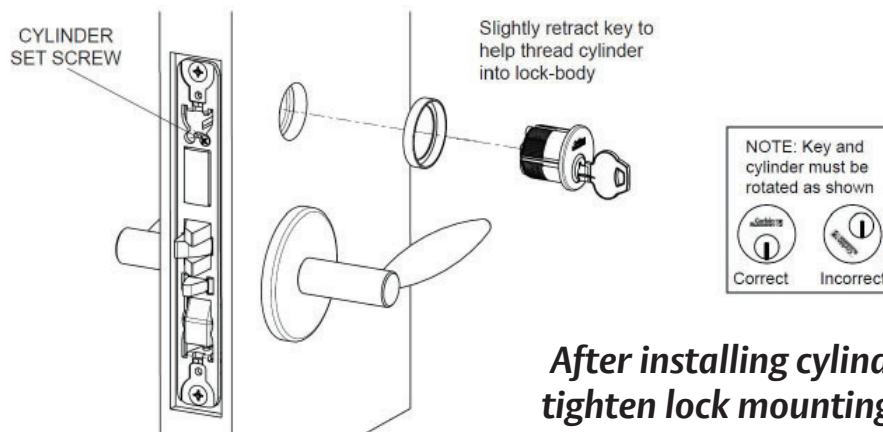
Step 7) Install inside spindle and rose.



Step 8) Install inside lever with set screw.

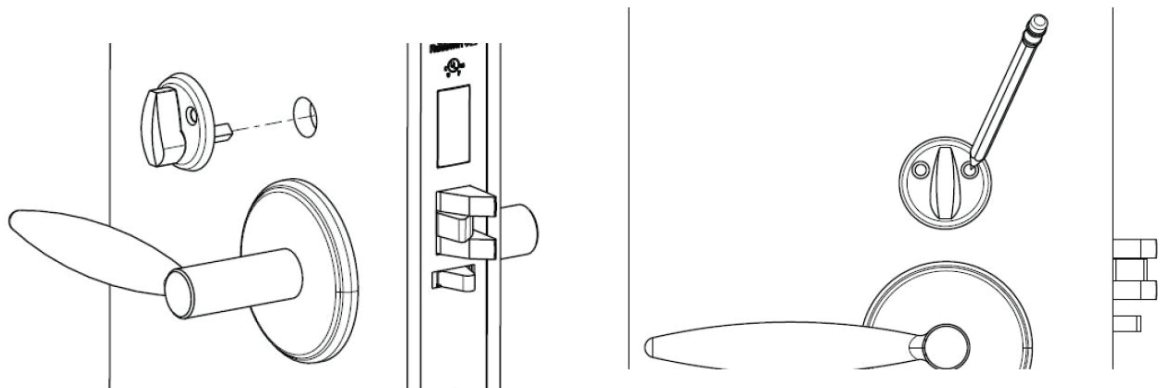


Step 9) Install cylinder and secure with set screw.



After installing cylinder fully, tighten lock mounting screws.

Step 10) Place the turn-piece in the door to mark the mounting holes. Drill two .110" (BIT #35) holes where marked.



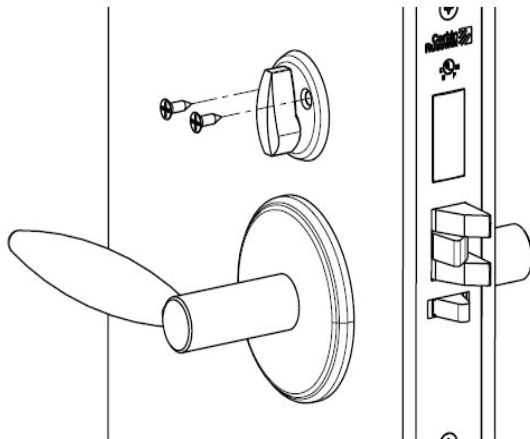
3

Full Working Sectional Trim Installation

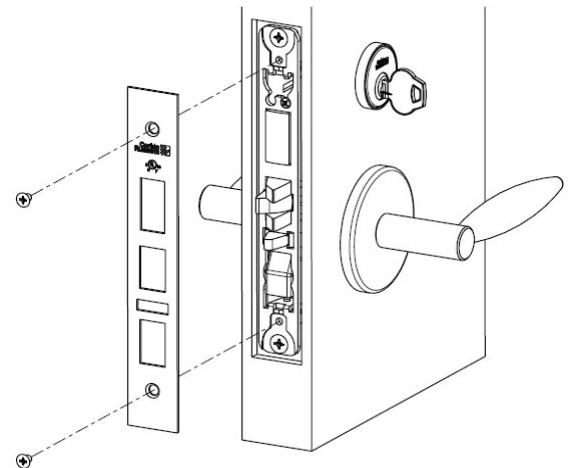
a

Sectional, continued

Step 11) Mount turn-piece.



Step 12) Install outside front.



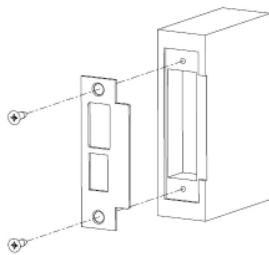
3

Full Working Escutcheon Trim Installation

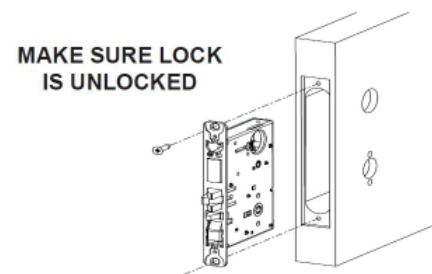
b

R & L Escutcheon

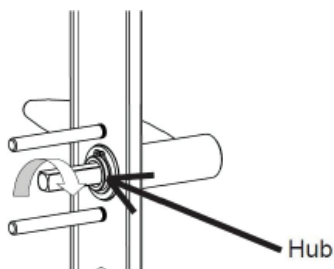
Step 1) Install strike with shorter (3/4") mounting screws.



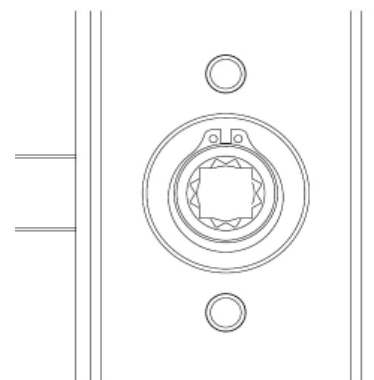
Step 2) Insert mortise lock into door and hand tighten longer (1") mounting screws.



Step 3) Thread hub into lever and fully tighten.



Step 4) Align hub with square hole in lever, keeping hub as tight as possible.

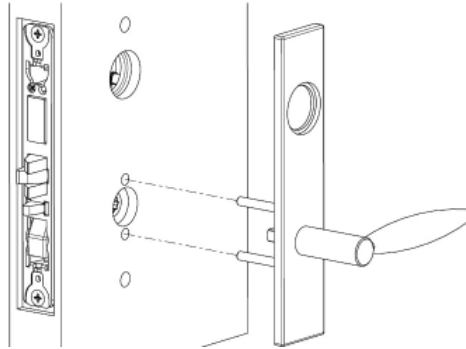


NOTE: Repeat step 3 & 4 for inside escutcheon

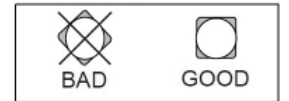
3 Full Working Escutcheon Trim Installation

b R & L Escutcheon, continued

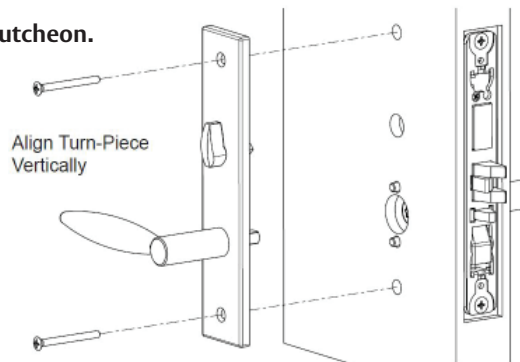
Step 5) Install outside trim assembly.



Use Correct Spindle Orientation



Step 6) Install inside escutcheon.

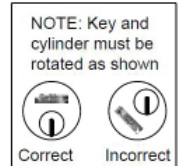
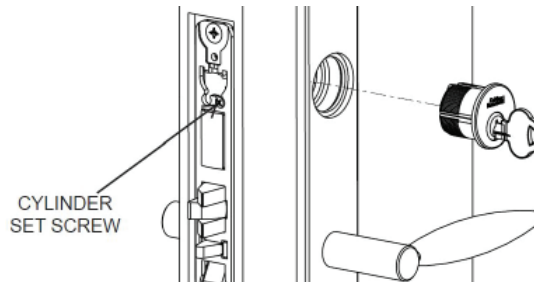


Use Correct Spindle Orientation

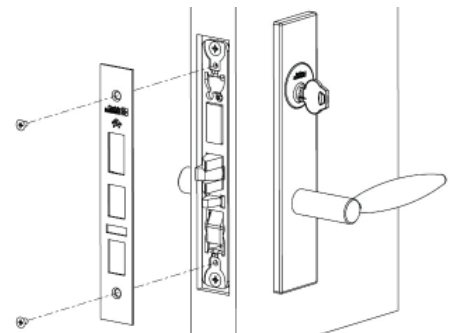


Step 7) Install cylinder.

After installing cylinder fully, tighten lock mounting screws.



Step 8) Install outside front..



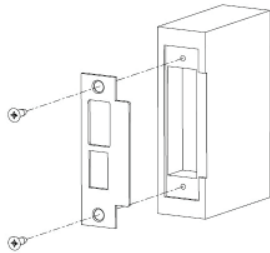
4

Half Working Sectional Trim Installation

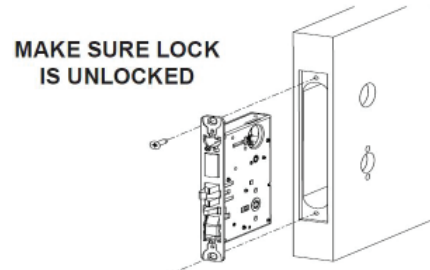
a

Sectional

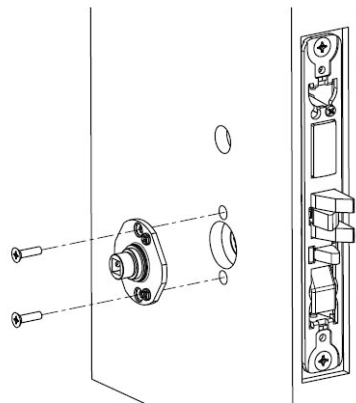
Step 1) Install strike with shorter (3/4") mounting screws.



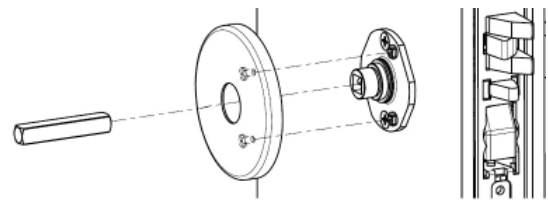
Step 2) Insert mortise lock into door and hand tighten longer (1") mounting screws.



Step 3) Install inside adapter plate.

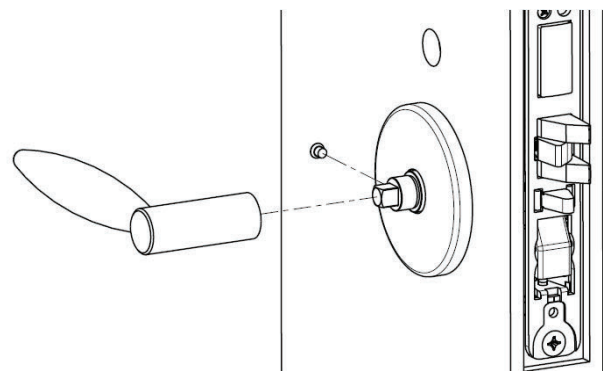
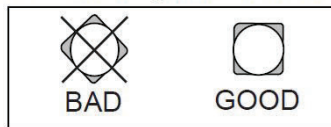


Step 4) Install spindle and rose.



Step 5) Install inside lever with set screw.

Use Correct Spindle Orientation

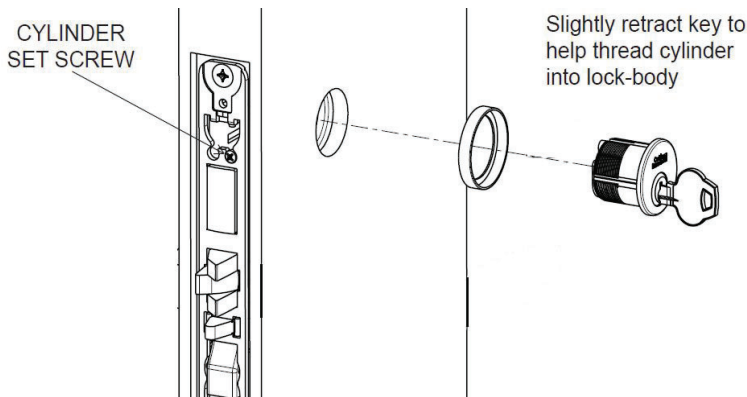


4 Half Working Sectional Trim Installation

a

Sectional, Continued

Step 6) Install cylinder and secure with set screw.

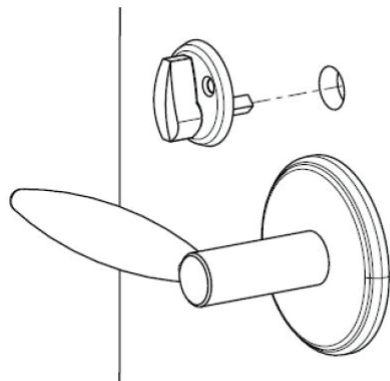


After installing cylinder fully, tighten lock mounting screws.

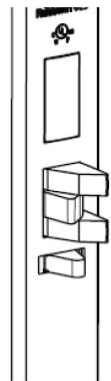
NOTE: Key and cylinder must be rotated as shown

Correct	Incorrect

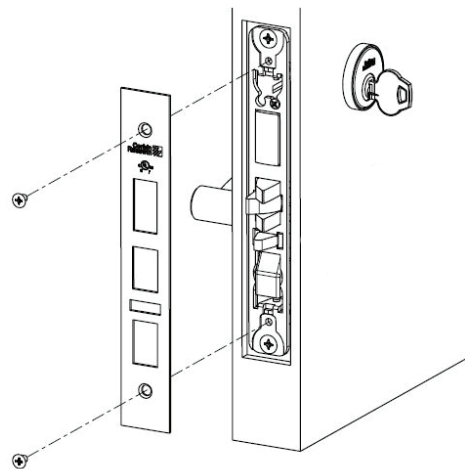
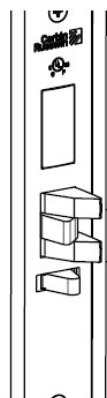
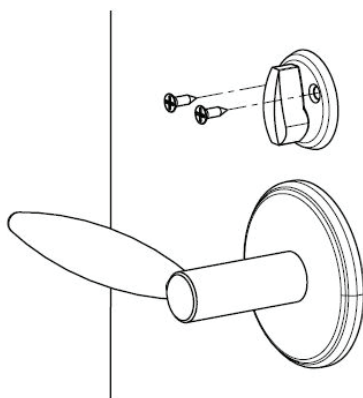
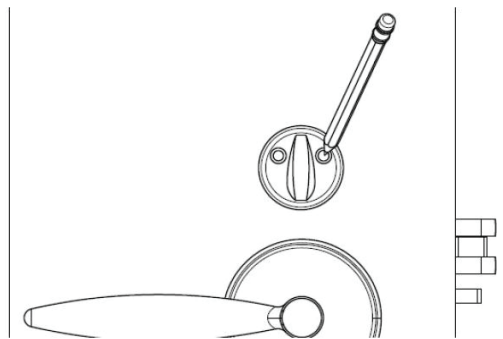
Step 7) Place the turn-piece in the door to mark the mounting holes. Drill two .110" (BIT #35) holes where marked.



Step 8) Mount turn-piece.



Step 9) Install outside front..



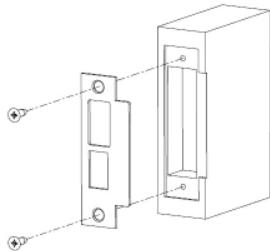
4

Half Working Escutcheon Trim Installation

b

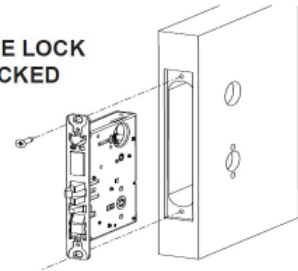
R & L Escutcheon

Step 1) Install strike with shorter (3/4") mounting screws.

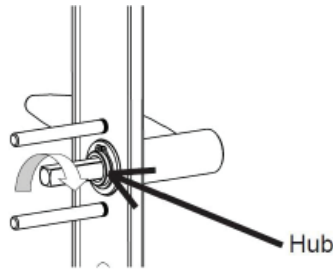


Step 2) Insert mortise lock into door and hand tighten longer (1") mounting screws..

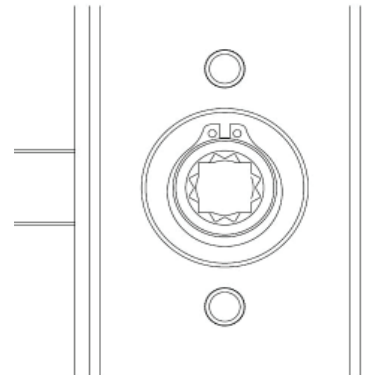
MAKE SURE LOCK IS UNLOCKED



Step 3) Thread hub into lever and fully tighten.

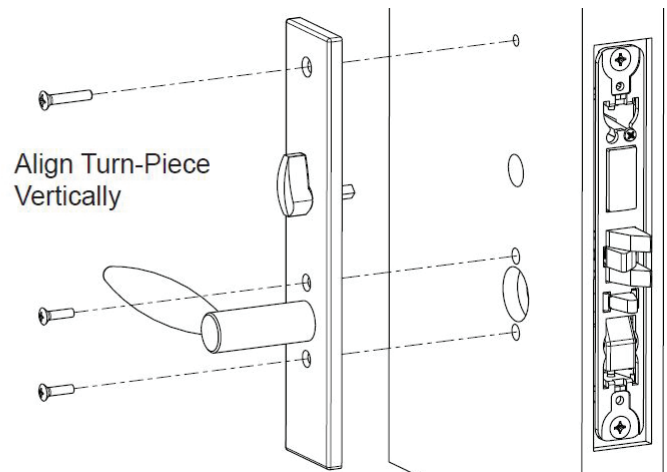
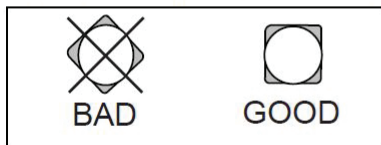


Step 4) Align hub with square hole in lever, keeping hub as tight as possible.



Step 5) Install inside escutcheon.

Use Correct Spindle Orientation



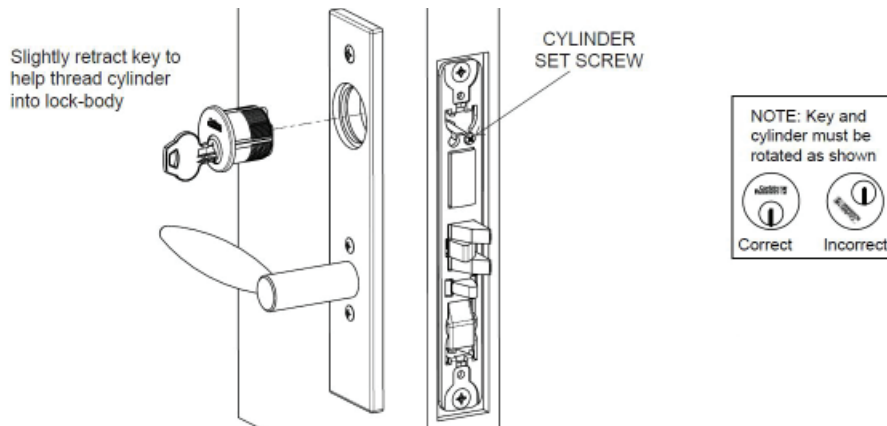
4 Half Working Escutcheon Trim Installation

b

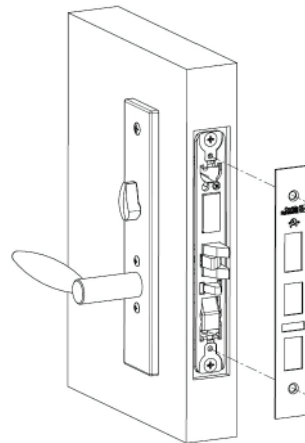
R & L Escutcheon, continued

Step 6) Install cylinder and secure with set screw.

After installing cylinder fully, tighten lock mounting screws.



Step 7) Install outside front.



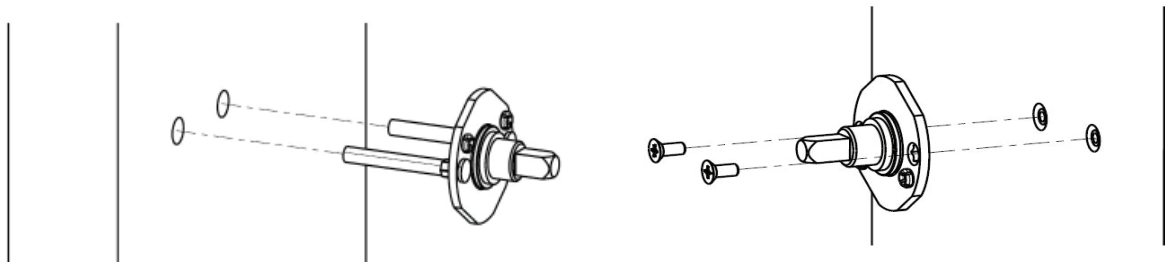
5 Full Dummy Sectional Trim Installation

a

Sectional

Step 1) Install outside adapter plate.

Step 2) Install inside adapter plate.



5

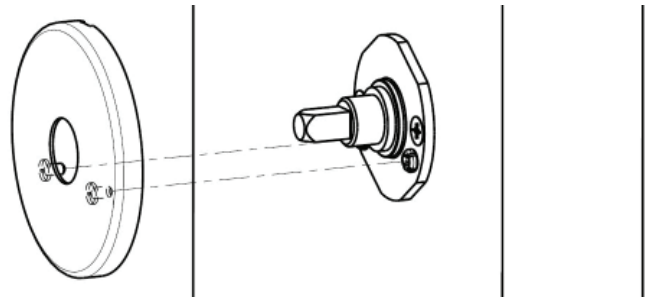
Full Dummy Sectional Trim Installation

a

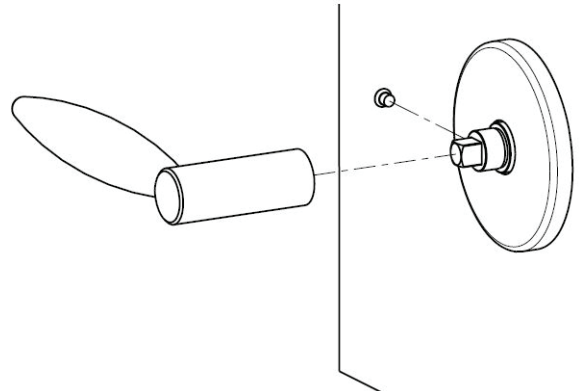
Sectional, continued

Step 3) Install rose onto both adapter plates.

Align studs on rose with bushings in adapter plate



Step 4) Install both levers with set screw.



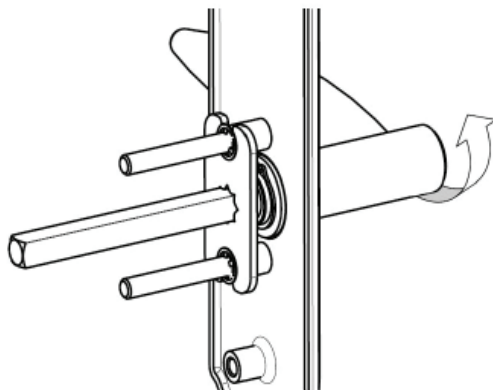
5

Full Dummy Escutcheon Trim Installation

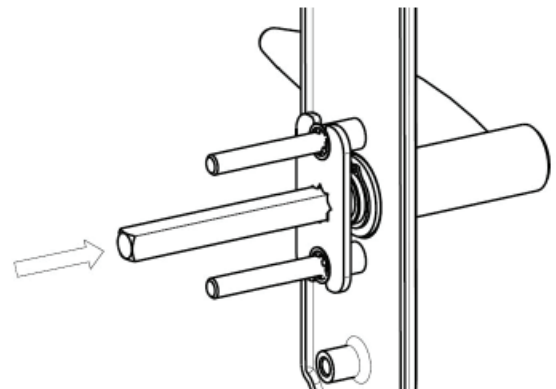
b

R & L Escutcheon

Step 1) Insert spindle into hub and rotate lever clockwise until tight.



Step 2) Push spindle into lever.

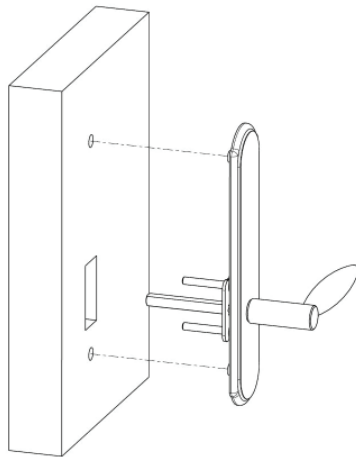


NOTE: Repeat steps 1 and 2 for inside escutcheon.

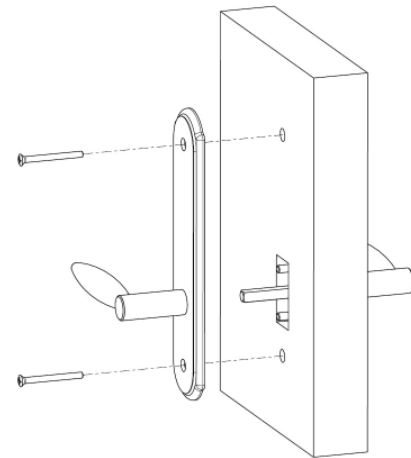
5 Full Dummy Escutcheon Trim Installation

b R & L Escutcheon, continued

Step 3) Install outside escutcheon



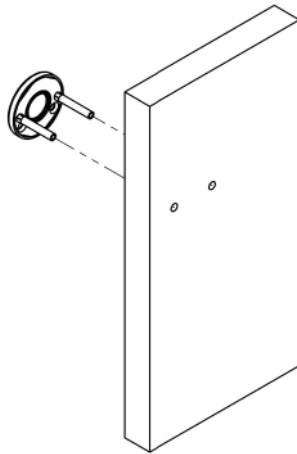
Step 4) Install inside escutcheon



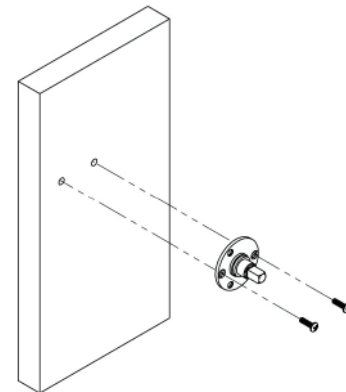
6 Half Dummy Sectional Trim Installation

a Sectional

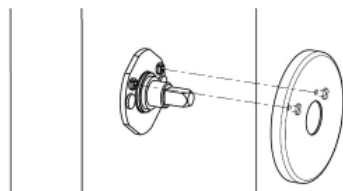
Step 1) Install outside adapter plate.



Step 2) Install inside adapter plate.



Step 3) Install rose onto adapter plate. Align studs on rose with busings in adapter plate.



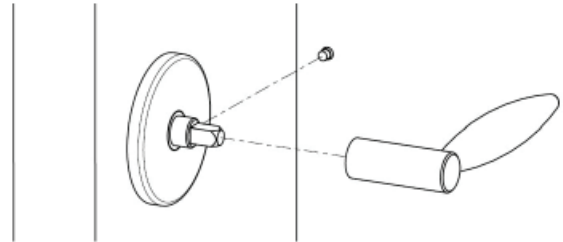
6

Half Dummy Sectional Trim Installation

a

Sectional, continued

Step 5) Install lever with set screw.



6

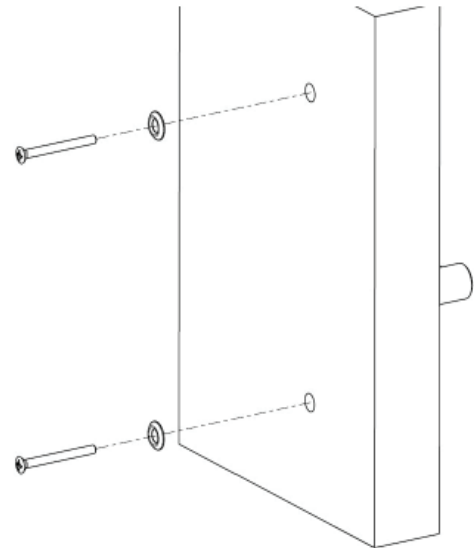
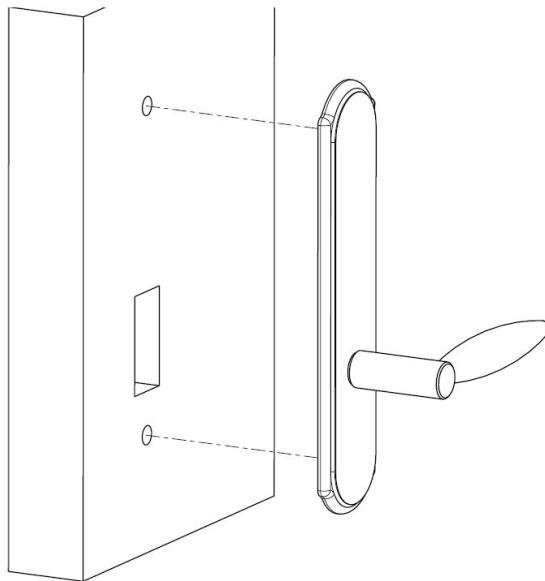
Half Dummy Escutcheon Trim Installation

b

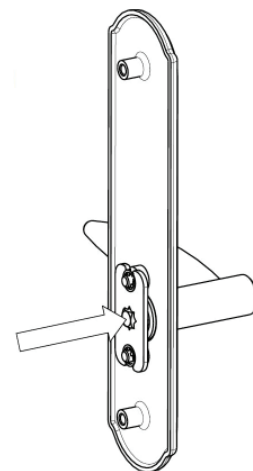
R & L Escutcheon

Step 1) Hold outside escutcheon on door.

Step 2) Install mounting screws and washers.



NOTE: Re-hand the lever, if necessary by pushing spindle out of dummy plate and rotating lever.



The ASSA ABLOY Group is the global leader in access solutions. Every day, we help billions of people experience a more open world.

ASSA ABLOY Opening Solutions leads the development within door openings and products for access solutions in homes, businesses and institutions. Our offering includes doors, frames, door and window hardware, locks, perimeter fencing, access control and service.

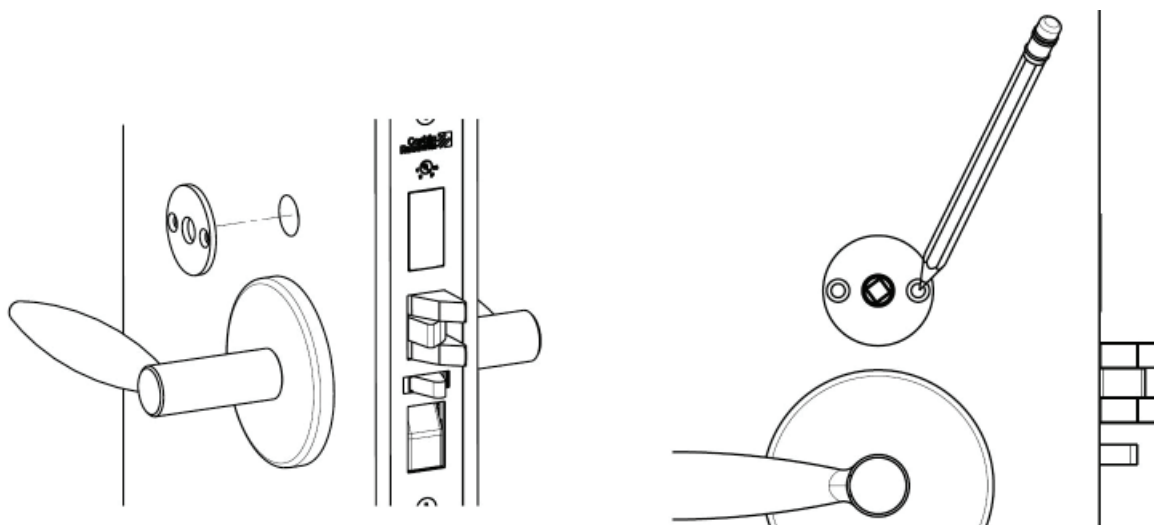
7

Secondary Trim Installatoin

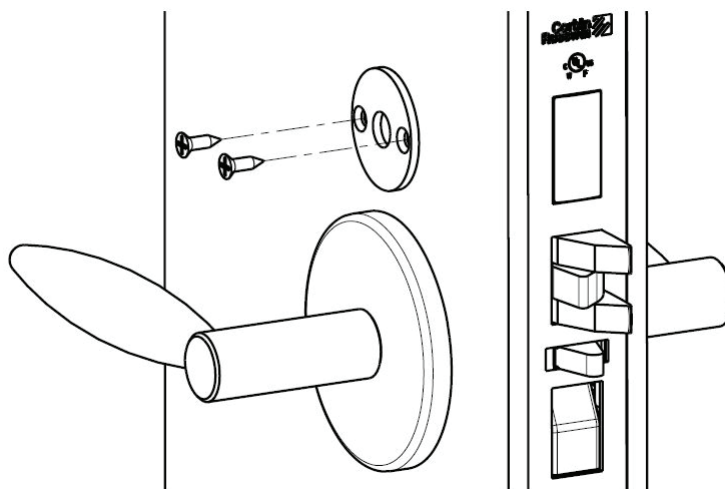
a

Emergency Key Plate

Step 1) Mark emergency key mounting holes and drill two .110" (BIT #35) holes where marked.



Step 2) Mount emergency key plate.



Corbin Russwin, Inc.
225 Episcopal Road
Berlin, CT 06037 USA
Phone: 800-543-3558
Fax: 800-447-6714
www.corbinrusswin.com