



MORTISE LOCK INSTALLATION INSTRUCTIONS

MUSEO DESIGNER TRIM

FM 601 Rev. C (10/18)

MUSÉO™

! WARNING

This product can expose you to lead which is known to the state of California to cause cancer and birth defects or other reproductive harm. For more information go to www.P65warnings.ca.gov.

08/2018

TABLE OF CONTENTS:

DOOR PREPARATION	1
LOCK HANDING	2
FULL WORKING TRIM	
SECTIONAL	3
R & L ESCUTCHEON	6
HALF WORKING TRIM	
SECTIONAL	8
R & L ESCUTCHEON	10
FULL DUMMY TRIM	
SECTIONAL	12
R & L ESCUTCHEON	13
HALF DUMMY TRIM	
SECTIONAL	14
R & L ESCUTCHEON	15
SECONDARY TRIM ATTACHMENT	
EMERGENCY KEY PLATE	16

**LOCK HANDING IS CRITICAL TO ENSURE LOCK
FUNCTIONS PROPERLY**

DOOR PREPARATION:

TEMPLATE

FULL WORKING TRIM:

- LOCK-BODY PREP T31046
- SECTIONAL NO ADDITIONAL PREP REQUIRED BEYOND T31046
- R & L ESCUTCHEON T31047

HALF WORKING TRIM:

- LOCK-BODY PREP T31162
- SECTIONAL NO ADDITIONAL PREP REQUIRED BEYOND T31162
- R & L ESCUTCHEON T31164

FULL DUMMY TRIM:

- SECTIONAL T31163
- R & L ESCUTCHEON T30651

HALF DUMMY TRIM:

- SECTIONAL T31163
- R & L ESCUTCHEON T30652

ALL WORKING TRIM MUST FIRST BE PREPARED FOR THE LOCK-BODY THEN FOR THE TRIM

**ALL TEMPLATES CAN BE FOUND AT
WWW.CORBINRUSSWIN.COM**

Mortise Lock Handing Instructions

Step 1) Move the Red locking screw to side of lock body being locked (Fig. 1)

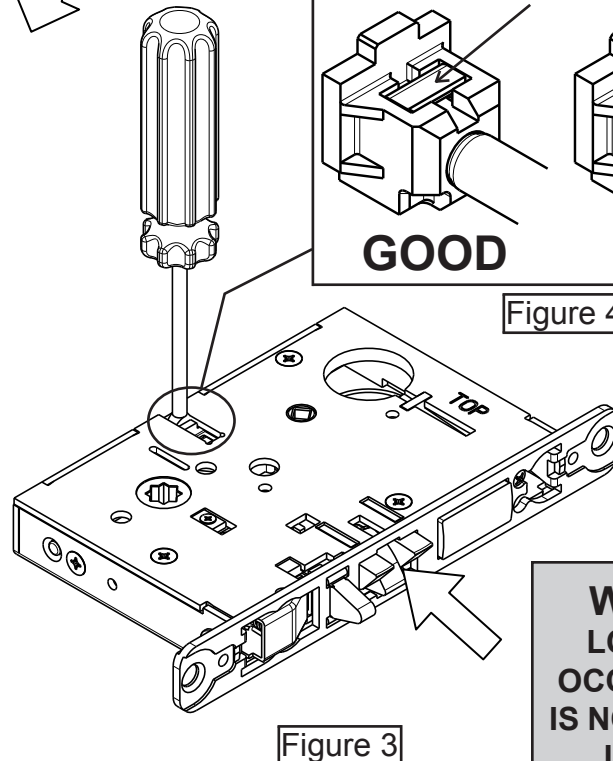
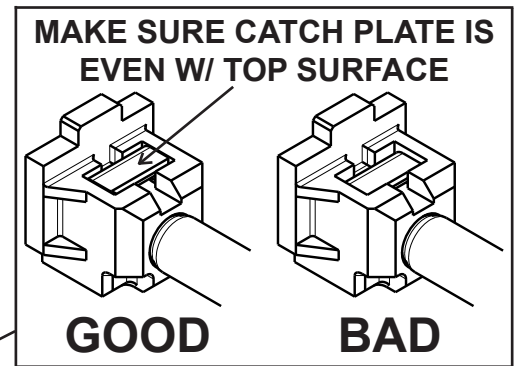
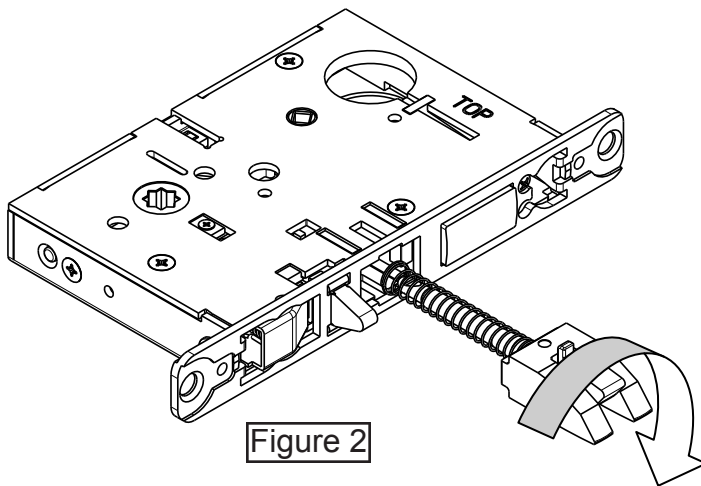
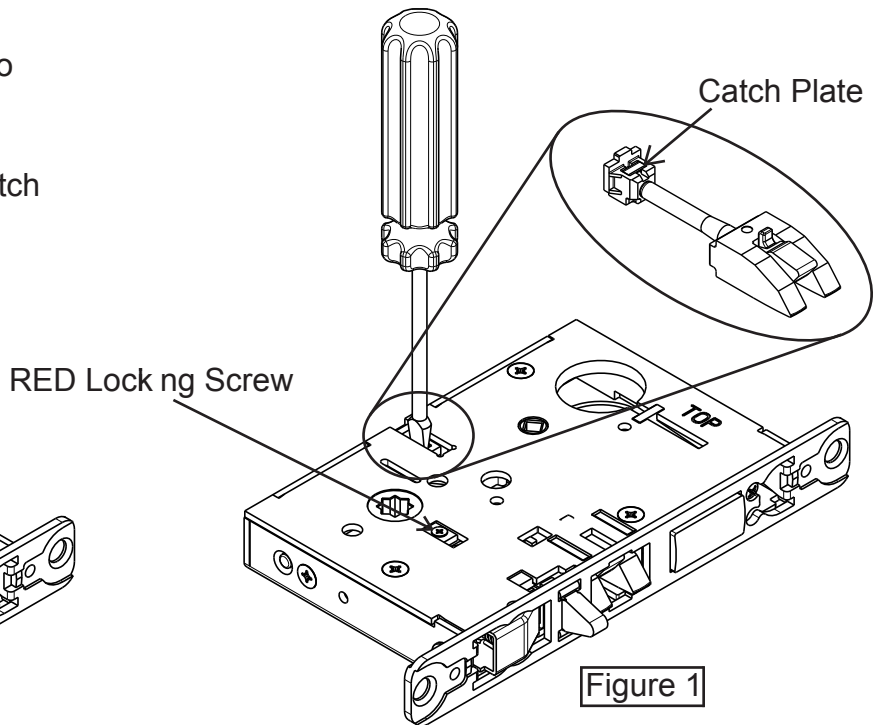
Step 2) Push in latch then depress catch plate with screw driver (Fig. 1)

Step 3) Pull latch out of lock body and turn latch over (Fig. 2)

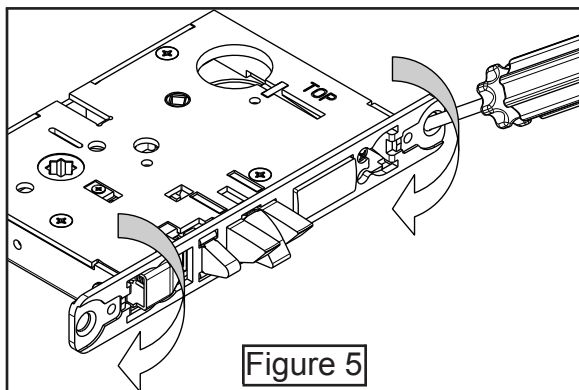
Step 4) Push in latch while holding screw driver behind latch tail (Fig. 3)

Note: Push in latch until catch plate is no longer depressed (Fig. 4)

Step 5) Rotate lock front to match level of door as shown (Fig. 5)



WARNING:
LOCK-IN CAN
OCCUR IF LATCH
IS NOT PROPERLY
INSTALLED



INSTALLATION INSTRUCTIONS

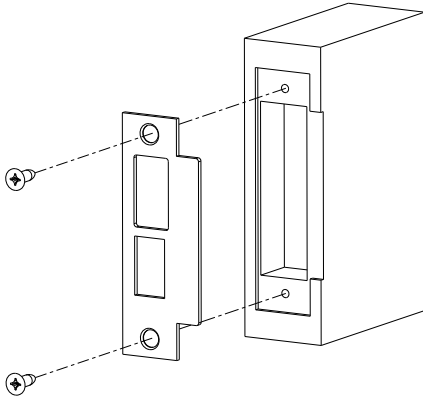
MUSEO Trim Instructions
FM 601 Rev. C (10/18)

Corbin
Russwin
ASSA ABLOY

FULL WORKING TRIM INSTALLATION

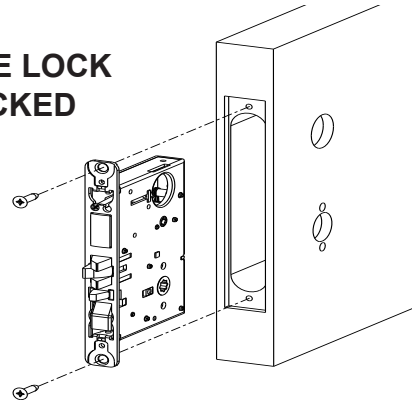
SECTIONAL:

Step 1) Install strike with shorter (3/4") mounting screws



Step 2) Insert mortise lock into door and hand tighten longer (1") mounting screws

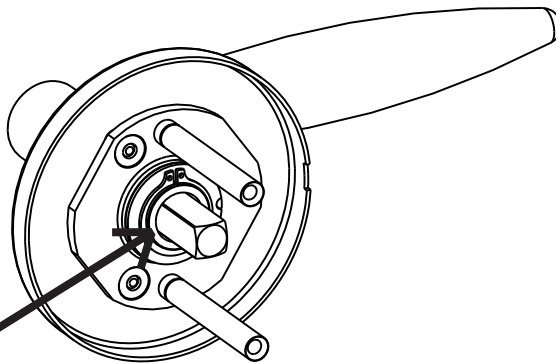
MAKE SURE LOCK IS UNLOCKED



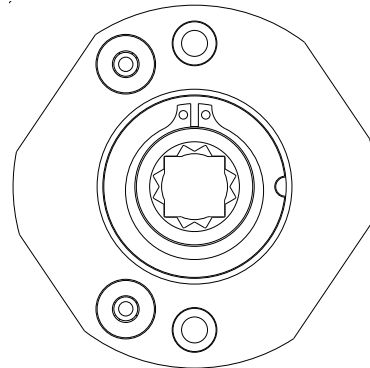
Step 3) Thread adapter plate hub into lever and fully tighten

NOTE: Spindle can be used to help thread hub into lever

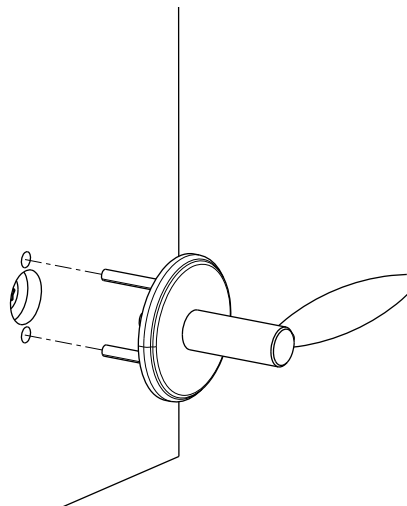
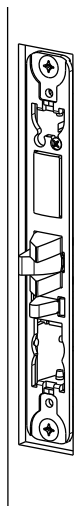
Adapter Plate Hub



Step 4) Align adapter plate hub with square hole in lever; keeping hub as tight as possible



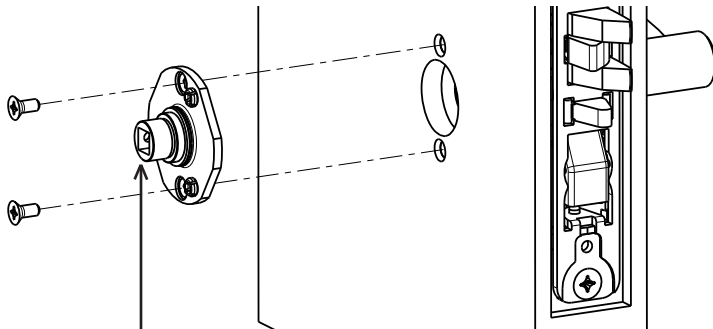
Step 5) Install O/S trim assembly



INSTALLATION INSTRUCTIONS

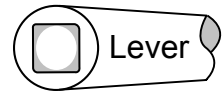
MUSEO Trim Instructions
FM 601 Rev. C (10/18)

Step 6) Install I/S adapter plate



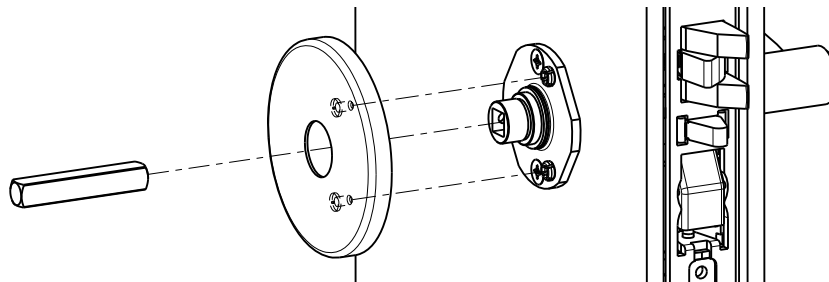
Set screw hole in hub faces
away from lock edge

Use Correct Spindle Orientation

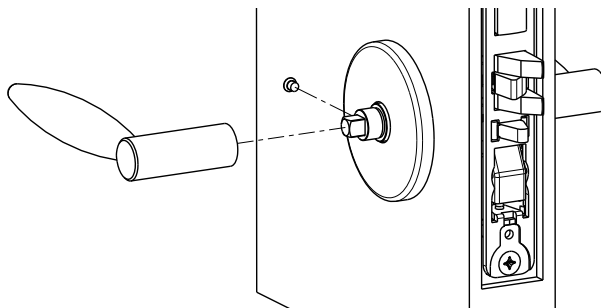


Step 7) Install I/S spindle and rose

Align studs on rose with
bushings in adapter plate



Step 8) Install I/S lever with set screw

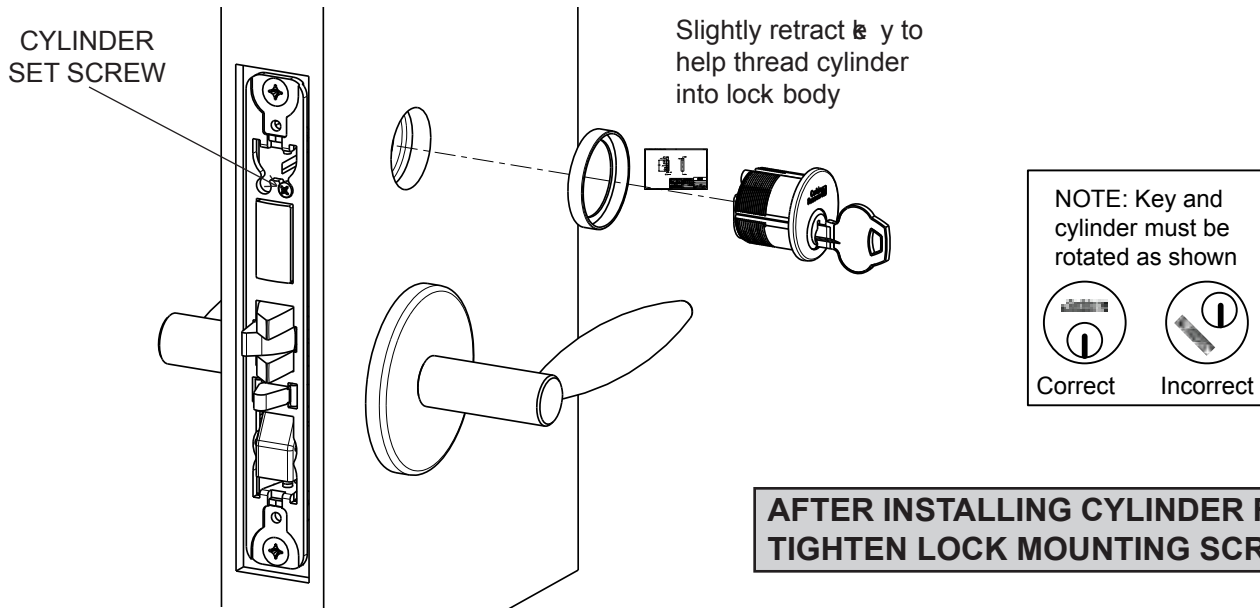


INSTALLATION INSTRUCTIONS

MUSEO Trim Instructions
FM 601 Rev. C (10/18)

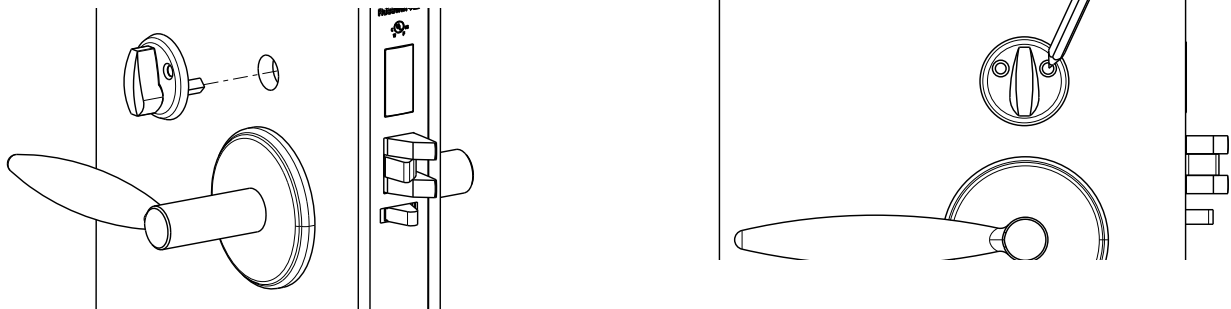


Step 9) Install cylinder and secure with set screw

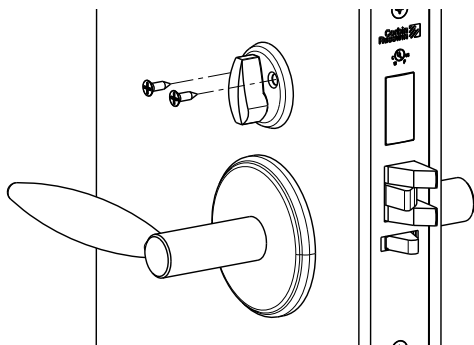


AFTER INSTALLING CYLINDER FULLY TIGHTEN LOCK MOUNTING SCREWS

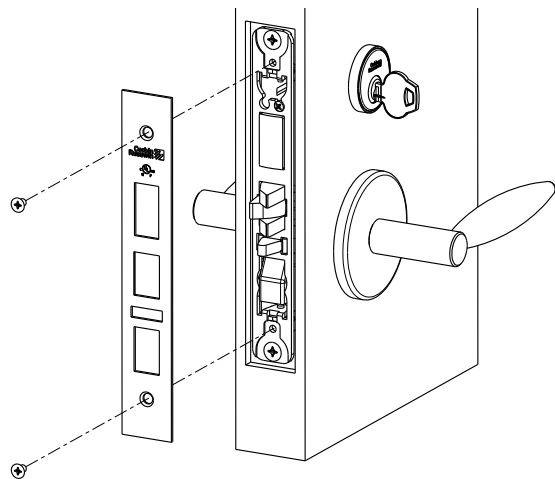
Step 10) Mark turn-piece mounting holes and drill two .110" (BIT #35) holes where marked



Step 11) Mount turn-piece



Step 12) Install scalp



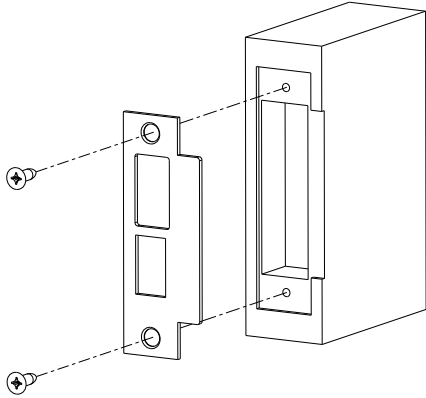
INSTALLATION INSTRUCTIONS

MUSEO Trim Instructions
FM 601 Rev. C (10/18)



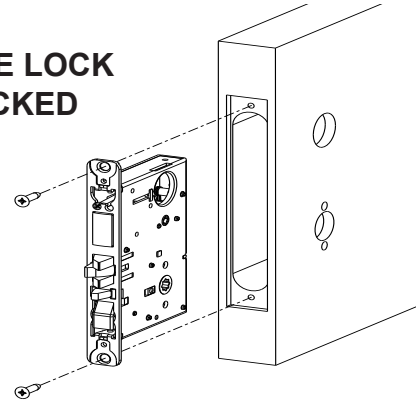
R & L ESCUTCHEON:

Step 1) Install strike with shorter (3/4") mounting screws

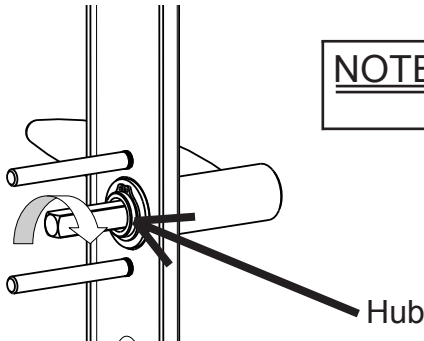


Step 2) Insert mortise lock into door and hand tighten longer (1") mounting screws

MAKE SURE LOCK IS UNLOCKED

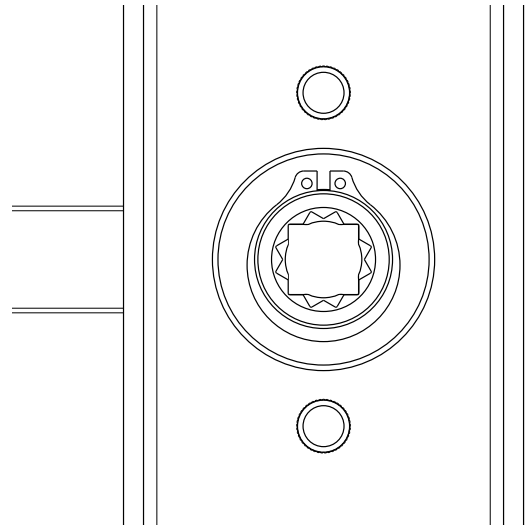


Step 3) Thread hub into lever and fully tighten

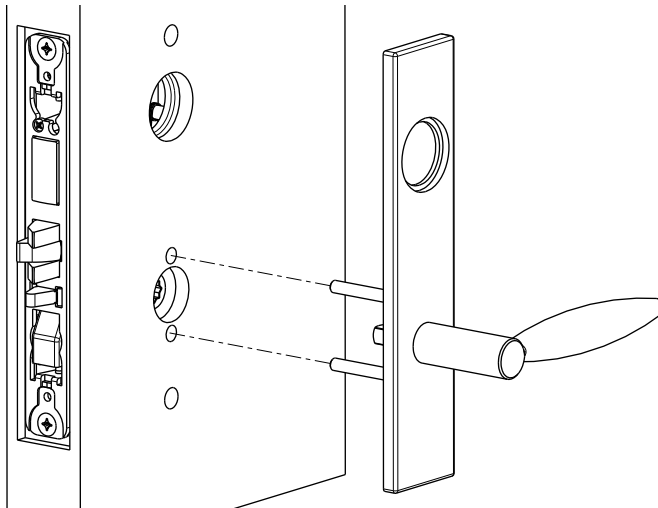


NOTE: Repeat step 3 & 4 for I/S Escutcheon

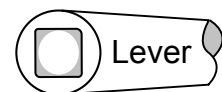
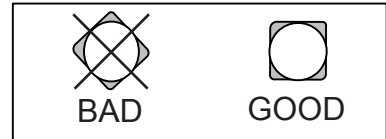
Step 4) Align hub with square hole in lever; tightening hub as tight as possible



Step 5) Install O/S trim assembly



Use Correct Spindle Orientation

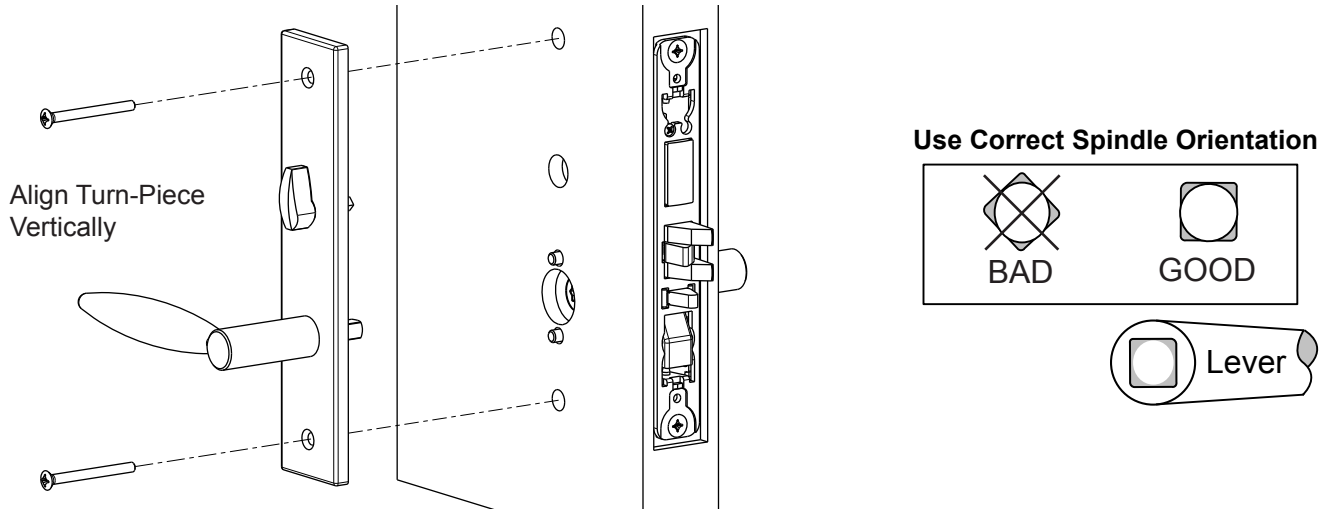


INSTALLATION INSTRUCTIONS

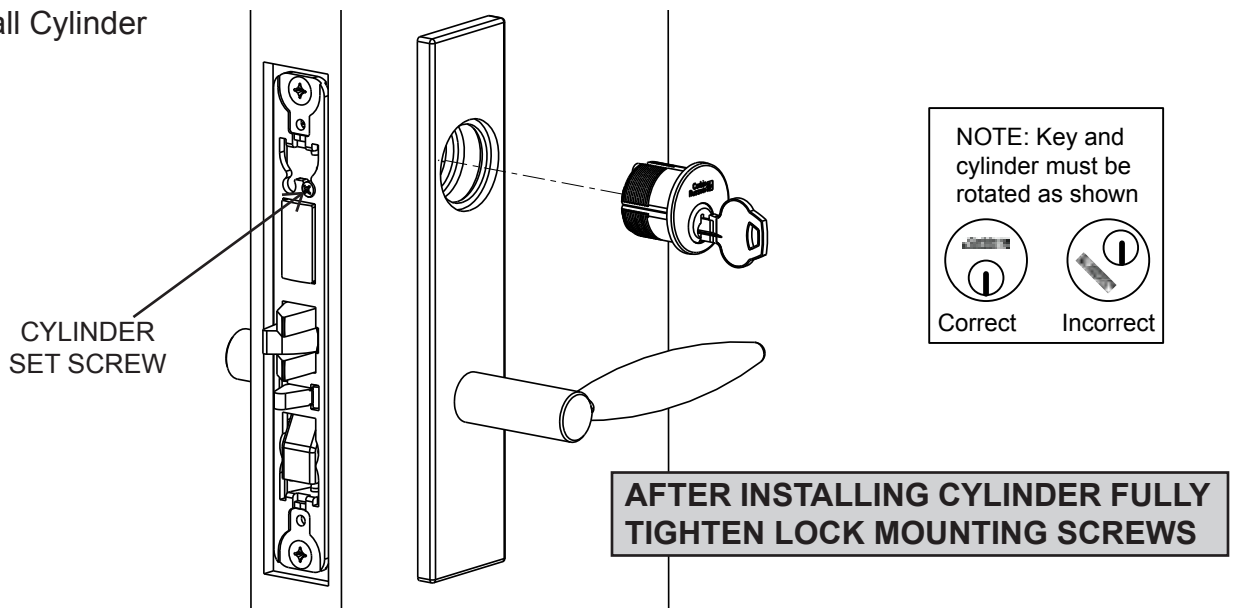
MUSEO Trim Instructions
FM 601 Rev. C (10/18)



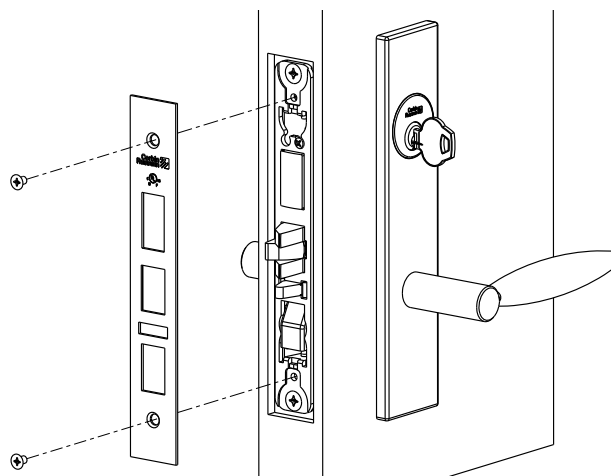
Step 6) Install I/S Escutcheon



Step 7) Install Cylinder



Step 8) Install Scalp



INSTALLATION INSTRUCTIONS

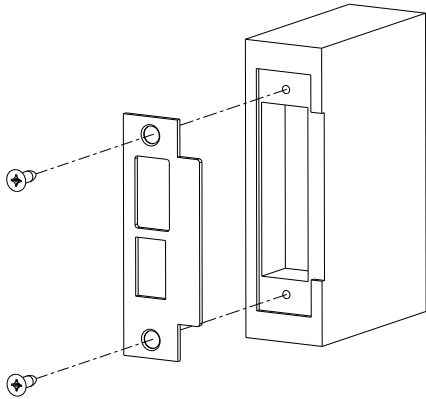
MUSEO Trim Instructions
FM 601 Rev. C (10/18)



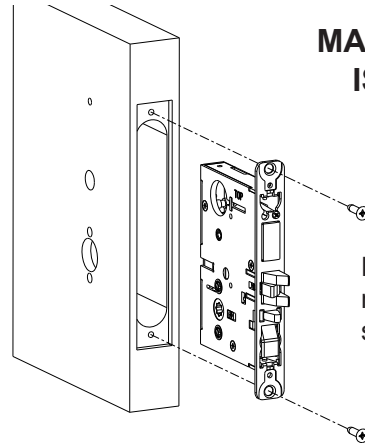
HALF WORKING TRIM INSTALLATION

SECTIONAL:

Step 1) Install strike with shorter (3/4") mounting screws



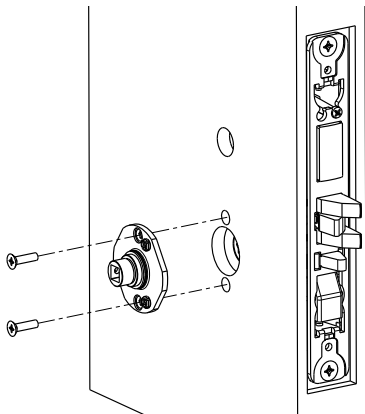
Step 2) Insert mortise lock into door and hand tighten longer (1") mounting screws



MAKE SURE LOCK IS UNLOCKED

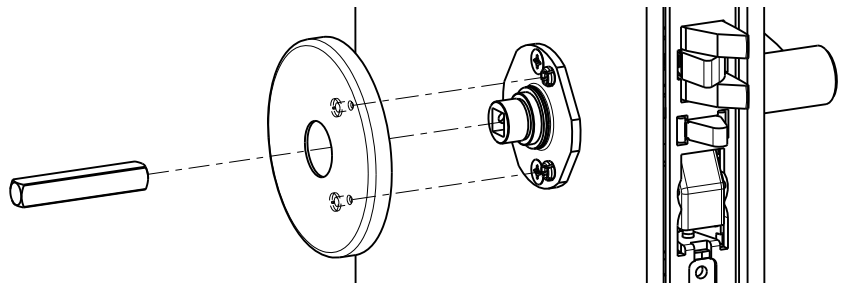
Half trim adapter plate must be on non-trim side of the lock body

Step 3) Install I/S adapter plate



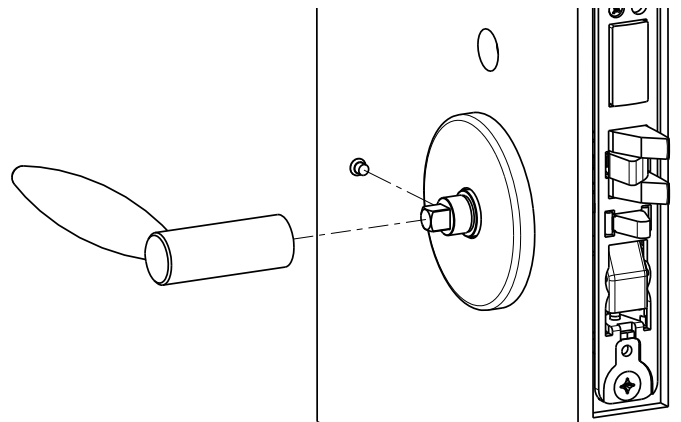
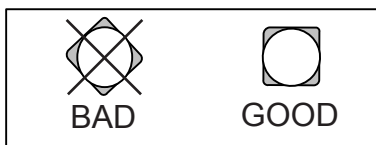
Step 4) Install spindle and rose

Align studs on rose with bushings in adapter plate



Step 5) Install I/S lever with set screw

Use Correct Spindle Orientation

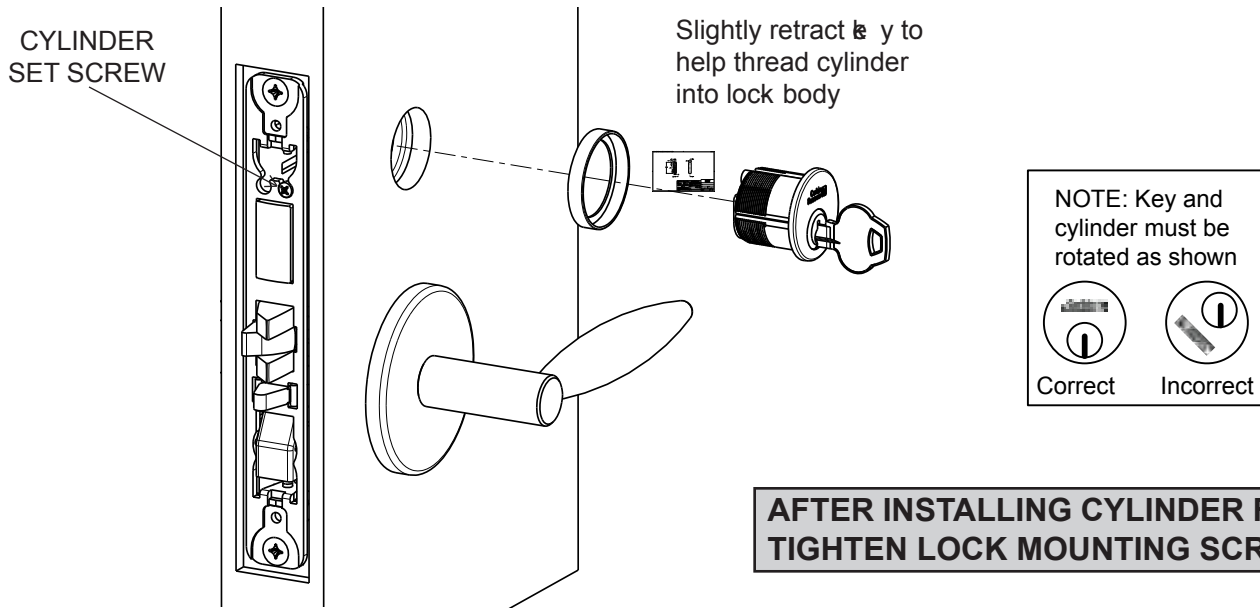


INSTALLATION INSTRUCTIONS

MUSEO Trim Instructions
FM 601 Rev. C (10/18)

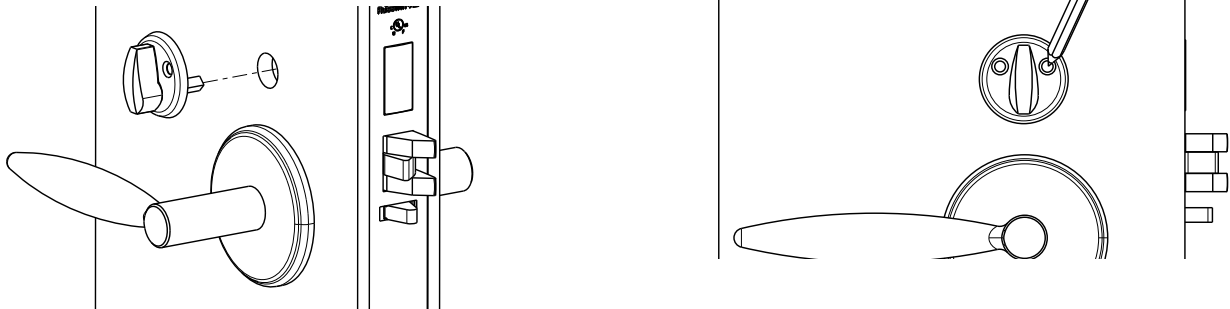


Step 6) Install cylinder and secure with set screw

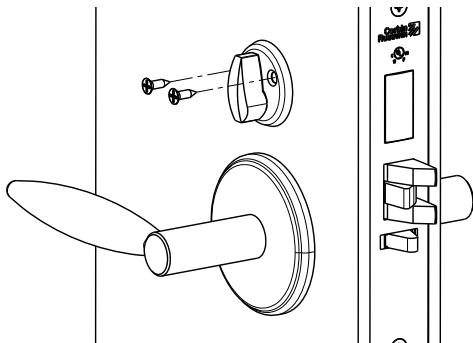


**AFTER INSTALLING CYLINDER FULLY
TIGHTEN LOCK MOUNTING SCREWS**

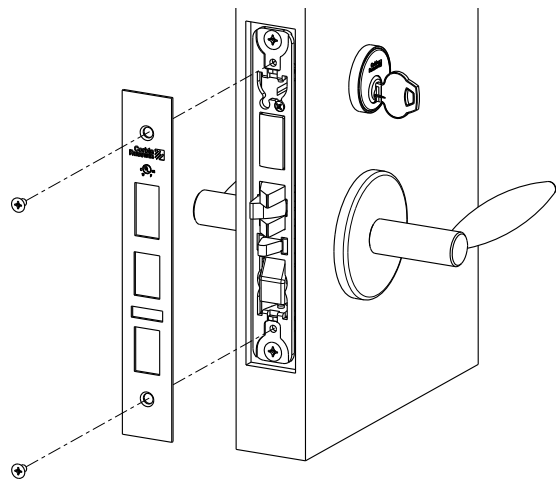
Step 7) Mark turn-piece mounting holes and drill two .110" (BIT #35) holes where marked



Step 8) Mount turn-piece



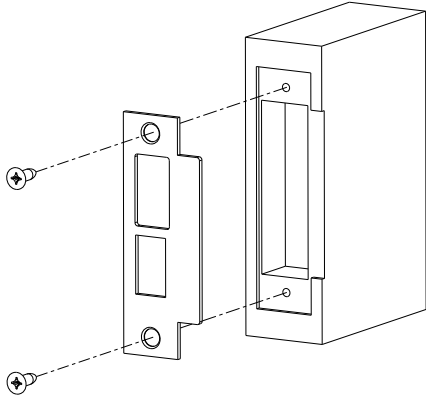
Step 9) Install scalp



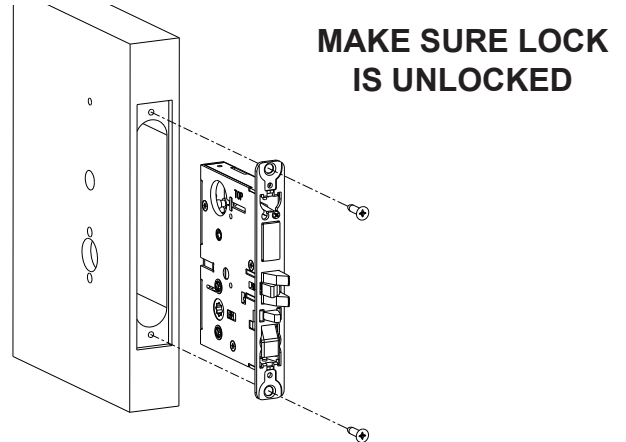
INSTALLATION INSTRUCTIONS

R & L ESCUTCHEON:

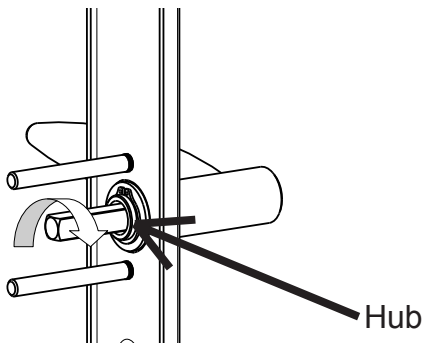
Step 1) Install strike with shorter (3/4") mounting screws



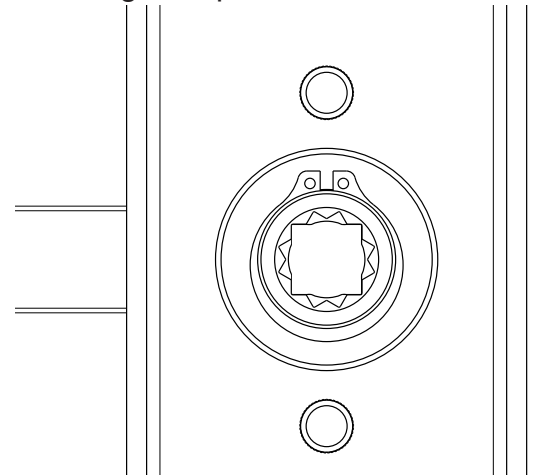
Step 2) Insert mortise lock into door and hand tighten longer (1") mounting screws



Step 3) Thread hub into lever and fully tighten

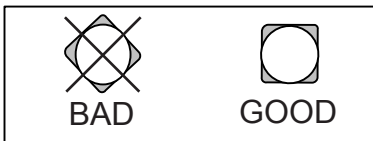


Step 4) Align hub with square hole in lever; keeping hub as tight as possible

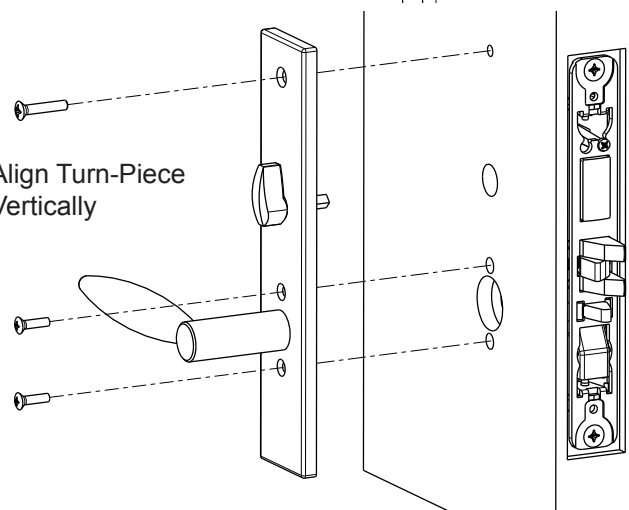


Step 5) Install I/S Escutcheon

Use Correct Spindle Orientation

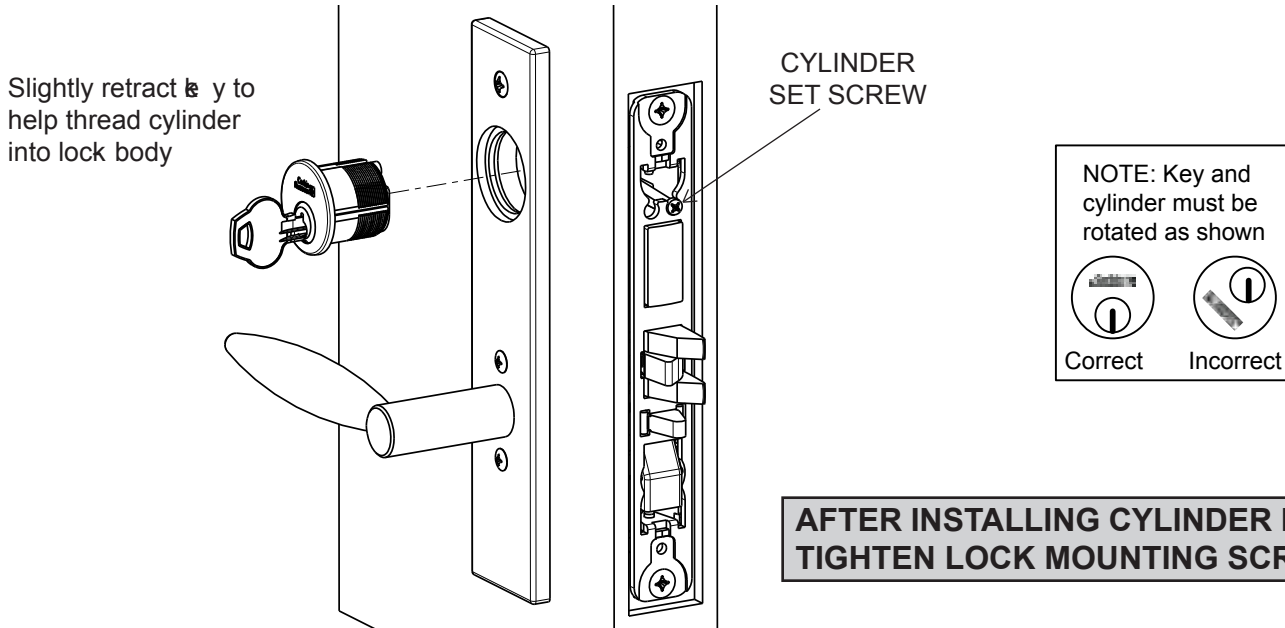


Align Turn-Piece Vertically

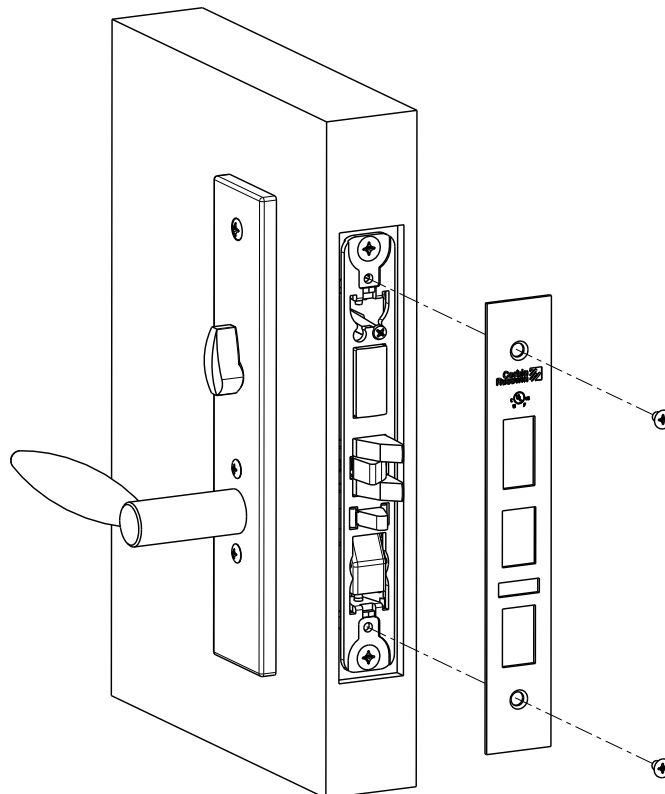


INSTALLATION INSTRUCTIONS

Step 6) Install cylinder and secure with set screw



Step 7) Install scalp



INSTALLATION INSTRUCTIONS

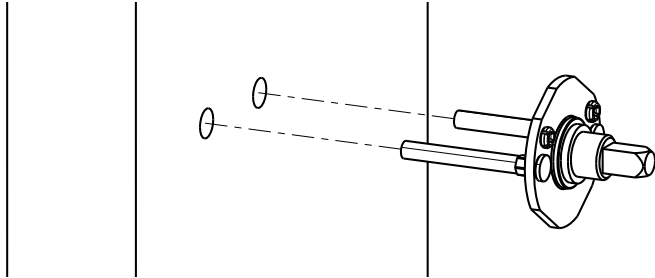
MUSEO Trim Instructions
FM 601 Rev. C (10/18)



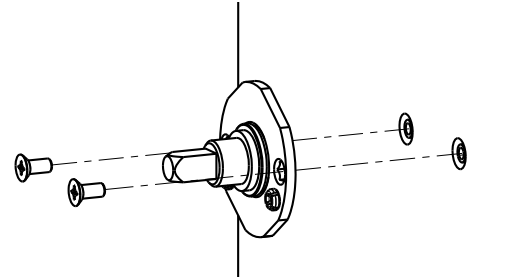
FULL DUMMY TRIM INSTALLATION

SECTIONAL:

Step 1) Install O/S adapter plate

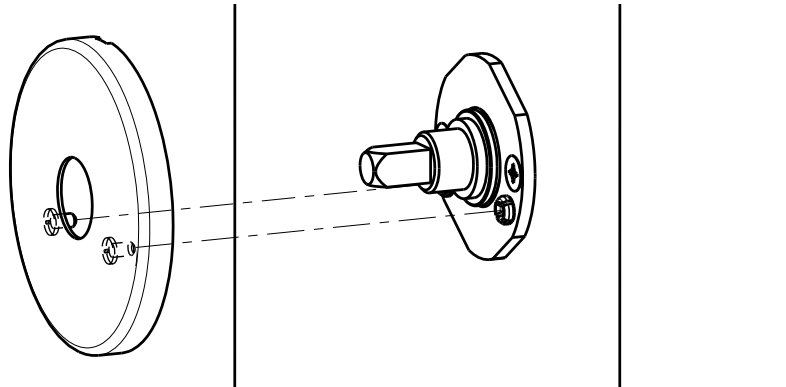


Step 2) Install I/S adapter plate

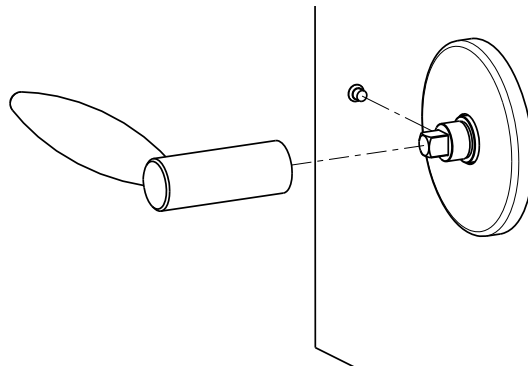


Step 3) Install rose onto both adapter plates

Align studs on rose with bushings in adapter plate



Step 4) Install both levers with set screw



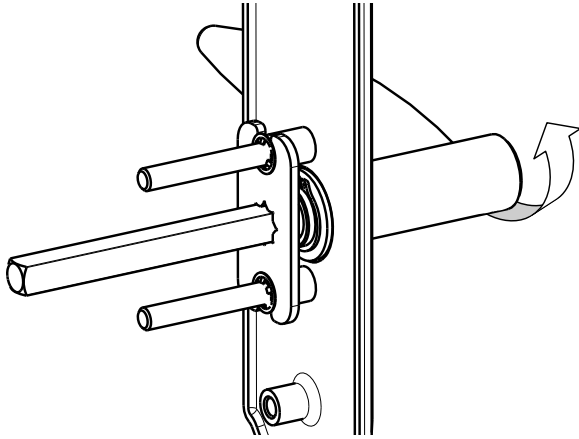
INSTALLATION INSTRUCTIONS

MUSEO Trim Instructions
FM 601 Rev. C (10/18)

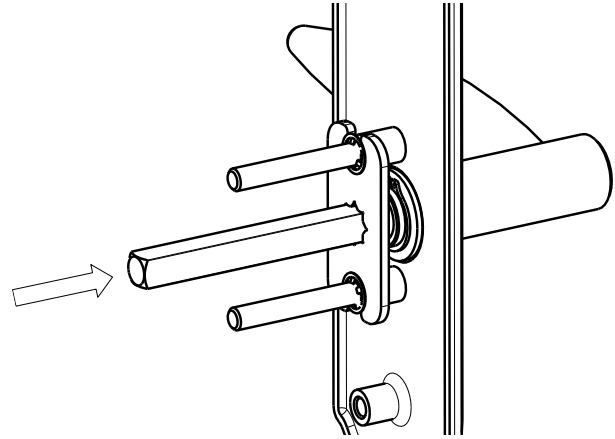


R & L ESCUTCHEON:

Step 1) Insert spindle into hub and rotate lever CW until tight

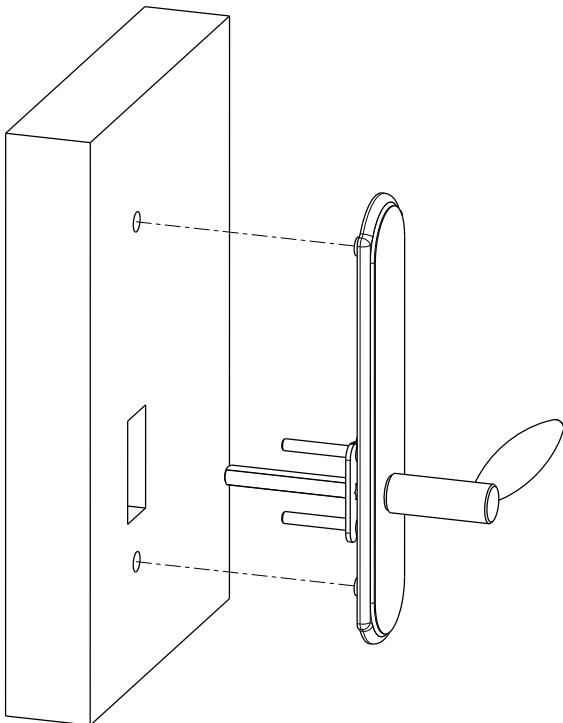


Step 2) Push spindle into lever

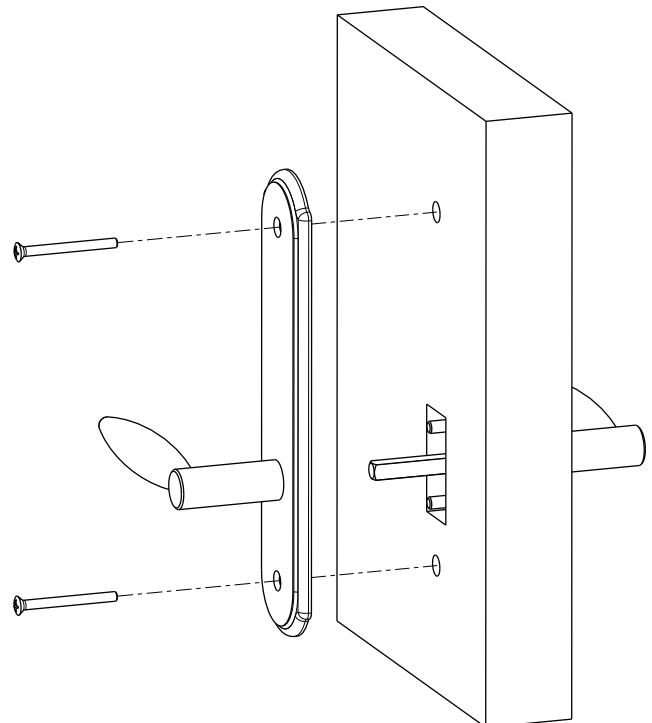


NOTE: Repeat step 1 & 2 for I/S Escutcheon

Step 3) Install O/S Escutcheon



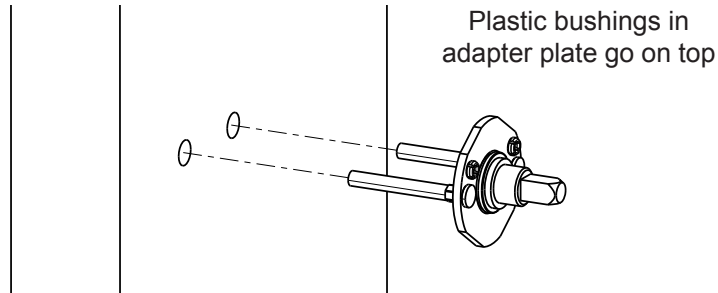
Step 4) Install I/S Escutcheon



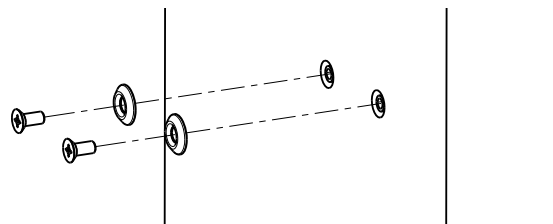
HALF DUMMY TRIM INSTALLATION

SECTIONAL:

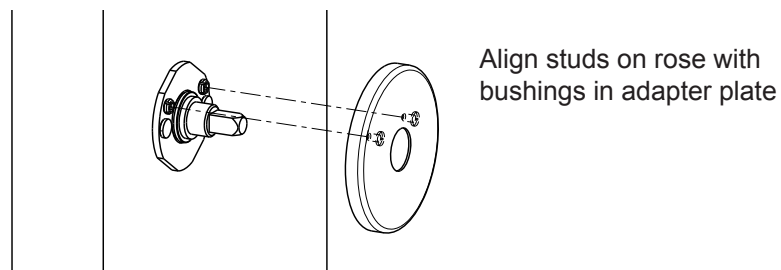
Step 1) Install adapter plate



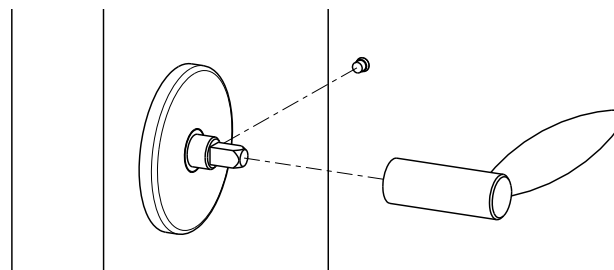
Step 2) Install mounting screws and washers



Step 3) Install rose onto adapter plate



Step 4) Install lever with set screw



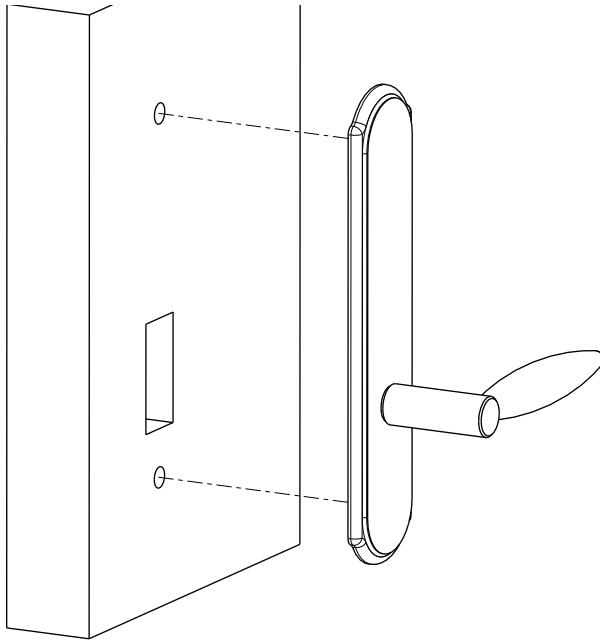
INSTALLATION INSTRUCTIONS

MUSEO Trim Instructions
FM 601 Rev. C (10/18)

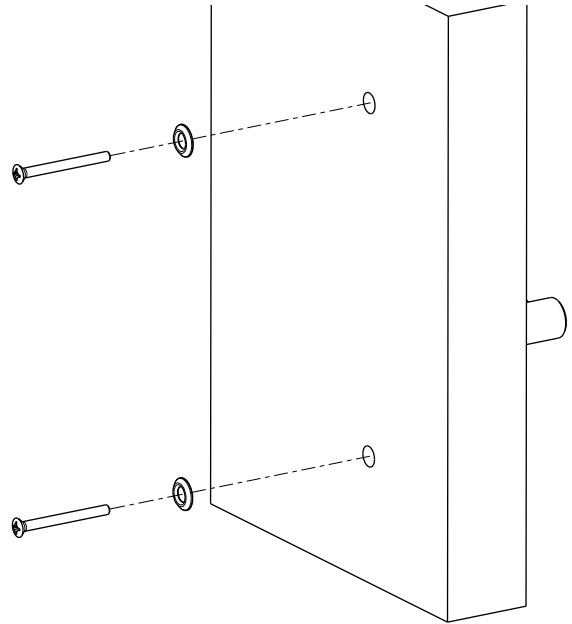
Corbin
Russwin
ASSA ABLOY

R & L ESCUTCHEON:

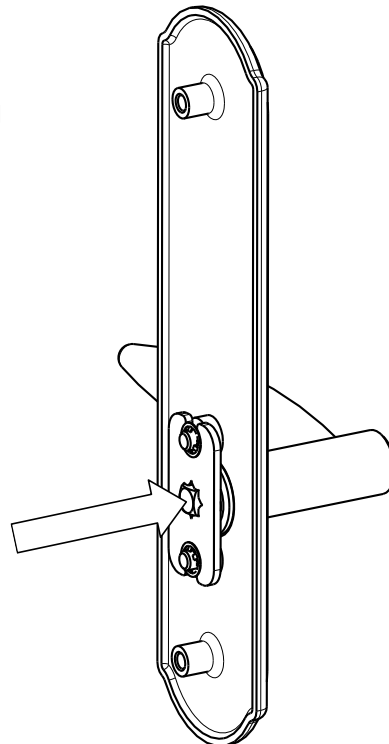
Step 1) Hold O/S escutcheon on door



Step 2) Install mounting screws and washers



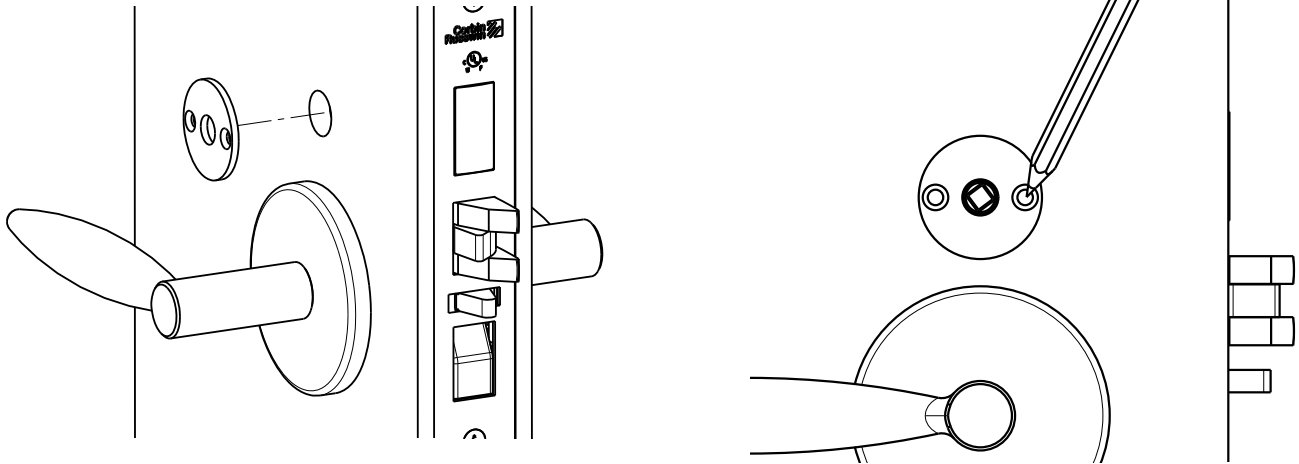
NOTE: Re-hand the lever, if necessary, by pushing spindle out of dummy plate and rotating lever



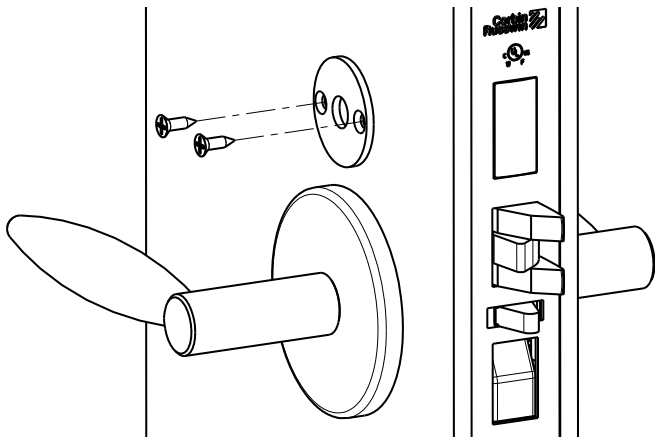
SECONDARY TRIM INSTALLATION

EMERGENCY KEY PLATE:

Step 1) Mark emergency key mounting holes and drill two .110" (BIT #35) holes where marked



Step 2) Mount emergency key plate



In US: Corbin Russwin, Inc.
225 Episcopal Road
Berlin, CT 06037-4004
www.corbinrusswin.com

Technical Product Support:
Phone: 888-607-5703 Fax: 800-659-7293

In Canada: ASSA ABLOY Door Security
Solutions Canada
160 Four Valley Drive
Vaughan, ON, L4K 4T9
www.assaabloy.ca

In U.S.:
Corbin Russwin, Inc.
225 Episcopal Road
Berlin, CT 06037 USA
Phone: 800-543-3658

Technical Product Support:
Phone: 888-607-5703

In Canada:
ASSA ABLOY Door Security Solutions Canada
160 Four Valley Drive
Vaughan, Ontario, Canada L4K 4T9
Phone: 800-461-3007