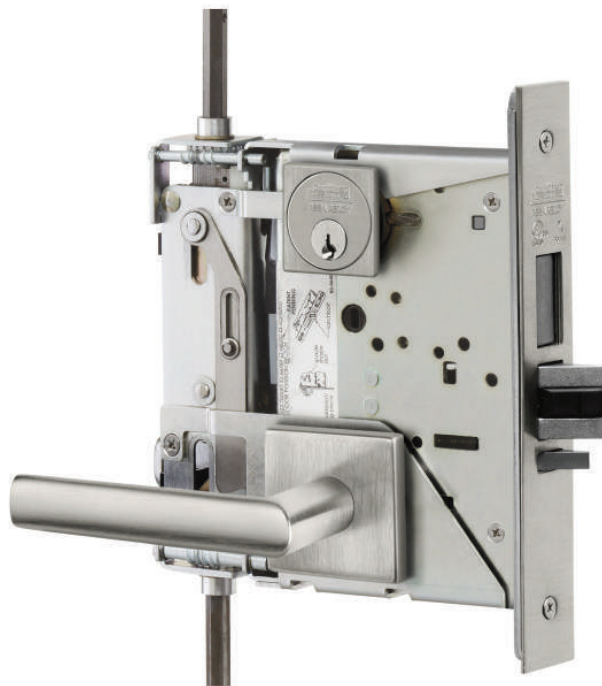


# MP6600 Series

Muséo® Levers

Multi-Point Lock



## **WARNING**

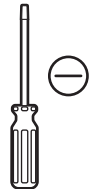
This product can expose you to lead which is known to the state of California to cause cancer and birth defects or other reproductive harm. For more information go to [www.P65warnings.ca.gov](http://www.P65warnings.ca.gov).

<b>TOC</b>	<b>Table of Contents</b>
<b>1</b>	<b>Tools Required .....2</b>
<b>2</b>	<b>Package Contents .....3</b>
<b>3</b>	<b>Installation .....4</b>
<b>a</b>	<b>Change Hand of Lock .....4</b>
<b>b</b>	<b>Change Hand of Latch .....4</b>
<b>c</b>	<b>Instructions for MP6600 Series Multi-Point Lock .....5</b>
<b>d</b>	<b>Instructions for CE, RE1, and L Escutcheons .....6</b>

## 1 Tools Required



#2 and #3 Phillips Screwdrivers



Flat Blade Screwdriver



1/8" Allen Wrench

## 2

## Package Contents

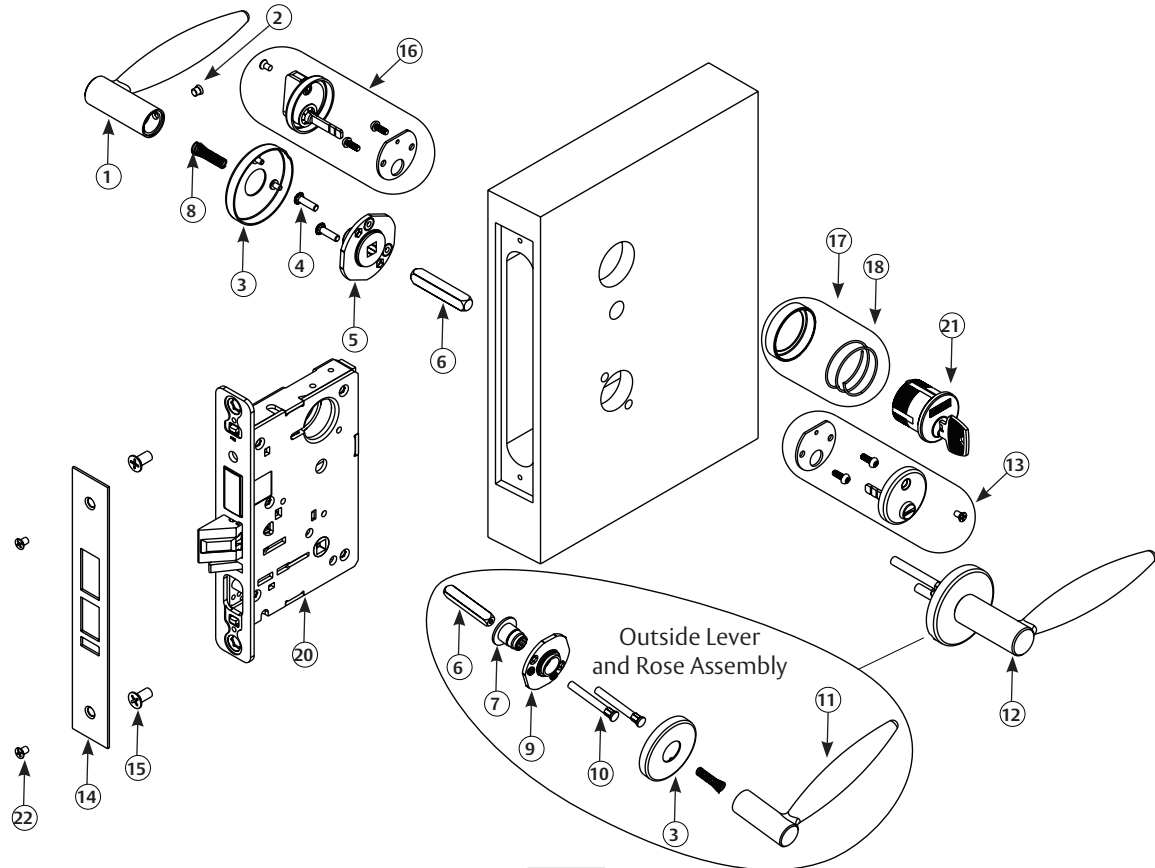


Figure 1

Figure 1	Description	Qty.	Figure 1	Description	Qty.
1	Inside Lever Handle - consult factory	1	13	Emergency Button Assembly (184KB)	1
2	Handle Set Screw 1/4-28 UNF	1	14	Outside Front	1
3	Rose - LN design	2	15	Machine Screw (#12-24 x 1/2")	2
4	Machine Screw #8-32 x 5/8"	2	16	Thumb Turn Lever Assembly (130 KB Design)	-
5	Inside Adapter and Plate Assembly	2	17	KB Cylinder Rosset (for 8200)	1
6	Spindle	1	18	Compression Spring	1
7	Cap Nut	1	19	Non-loosening Wave Spring	1
8	Lever Spring	2	20	Lockbody	1
9	Adapter and Plate Assembly (LN design)	1	21	Cylinder	1
10	Mounting Post	2	22	Machine Screw (#8-32 x 1/4")	2
11	Outside Lever Handle - consult factory	1			
12	Turn Lever Assembly (130KB design)	-			

\*All trim components vary by function number. Refer to separate instruction sheet for trim one-side functions.

### 3

## Installation

### a

### Change Hand of Lock

**Note:**

Red surface of locking piece must face secure (keyed/locked) side of door.

**To rotate locking piece:**

1. Position lockbody with red surface of locking piece visible.
2. Insert blade type screwdriver into locking piece slot to rotate locking piece.
3. Push locking piece toward back of lock body and rotate 180° until RED surface shows on opposite side.

**Note:**

Red color indicates locked side of door.

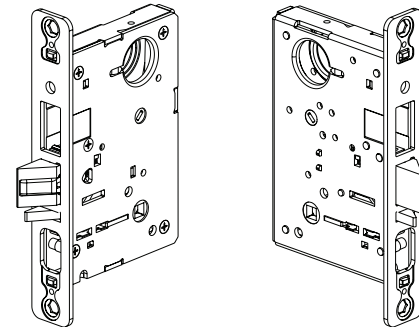


Figure 2

### b

### Change Hand of Latch

**Note:**

Beveled surface of latch must face strike. Deadlatch is self-adjusting.

**To change hand of latch:**

1. Insert flat blade screwdriver into spade shaped slot. (Figure 4)
2. Rotate screwdriver 90° to push latch out until back of latch clears lock front; rotate latch 180°. Latch will re-enter lockbody.

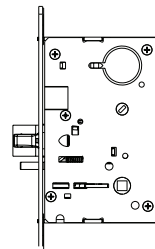


Figure 4

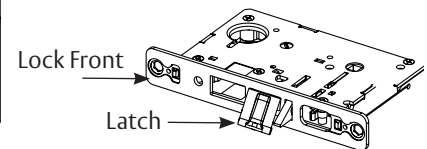


Figure 3

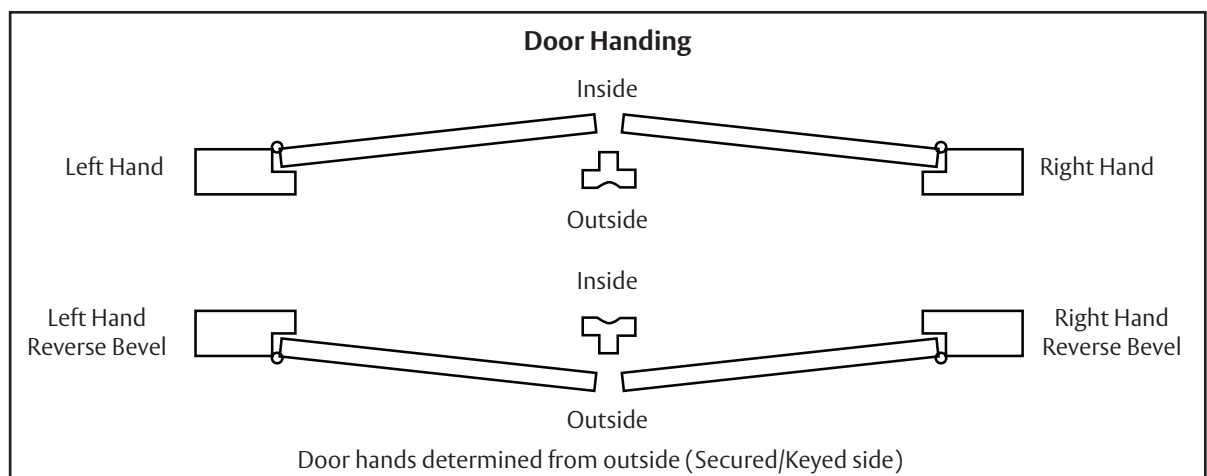


Figure 5

### 3

## Installation (continued)

### c

### Instructions for MP6600 Series Multi-Point Lock

**Important:** Check template 4740 to prep door for function holes, size, and location.

1. Verify strike location according to template.
2. Clean out door pocket and door edge of any debris.
3. Make sure the handing of the lock (latch and locking piece) match the handing of the door.
4. Slide lock into the door and hold.
5. Slide outside lever and rose assembly (or lever and escutcheon assembly) through the door; lock body and hold.

**Note:**

Keep door open while installing lock. If installing lever onto only one side of the door, see separate instruction sheet.

6. Assemble keyed cylinder first through narrow end of spring and then wider opening of collar (or escutcheon).
7. Assemble onto door by threading into lock until cylinder face is flush with collar edge. Pulling key slightly out of cylinder will help when threading cylinder inward.

**Note:**

Corbin Russwin logo must be horizontal and on upper portion of cylinder face.

8. Tighten cylinder clamp screw with #2 Phillips screwdriver.
9. Secure lock in door with two (2) #12 x 1-1/4" wood screws or #12-24 x 1/2" machine screws. **Do NOT tighten completely at this time.**
10. Slide spindle into lockbody hub.
11. Slide adapter and plate assembly over spindle and secure with two (2) #8-32 screws.

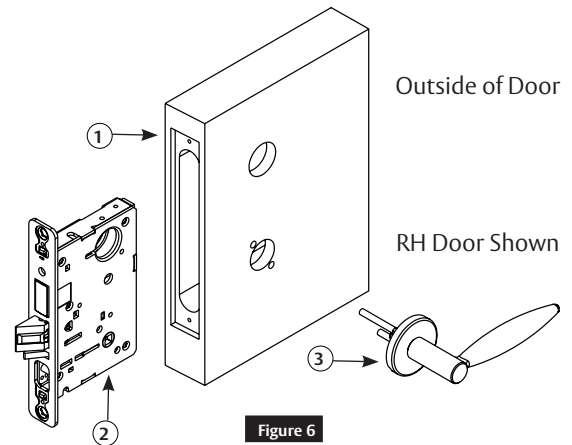


Figure 6

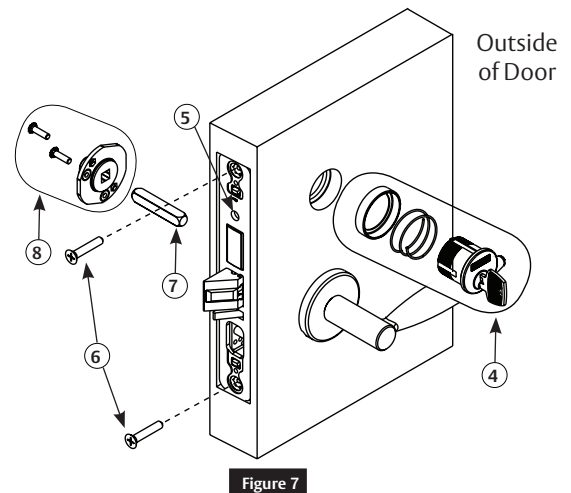


Figure 7

### 3

## Installation (continued)

### c

### Instructions for MP6600 Series Multi-Point Lock (continued)

12. Align posts in rose with holes in adapter and plate assembly, and press on until rose is tight against door face.
13. Attach inside lever and secure with 1/8" Allen wrench.
14. Assemble thumbturn/emergency release (if provided) according to instructions on bag.
15. Check for proper lock operation by function prior to closing door.
16. Tighten two lockbody screws completely.
17. Attach outside front with two (2) #8-32 x 1/4" flat head screws.

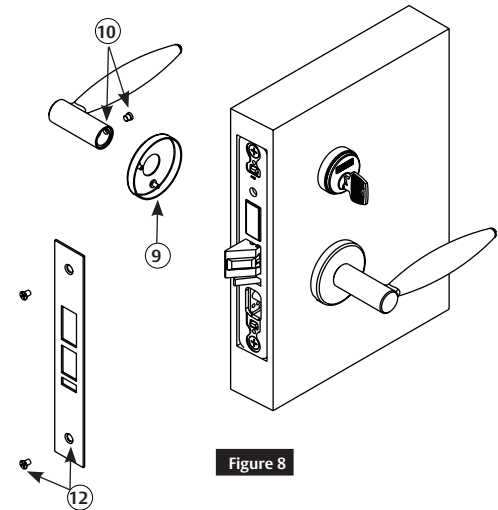


Figure 8

### d

### Instructions for CE, RE1, and L Escutcheons

Through-bolt the inside escutcheon to the outside escutcheon with two screws #8-32 x 1-7/8".

#### Notes:

- Screw heads should be visible on inside escutcheon.
- Removable core or interchangeable core cylinders require a control key (a key stamped with "C") to remove and install the inner cylinder core. This is not standard; must be requested separately. If requesting 1-bitted control key, specify 113511 cut.
- Cylinder collar(s) are required for functions with two (2) cylinders or cylinders longer than # 41 (1-1/8"). (Figure 9)

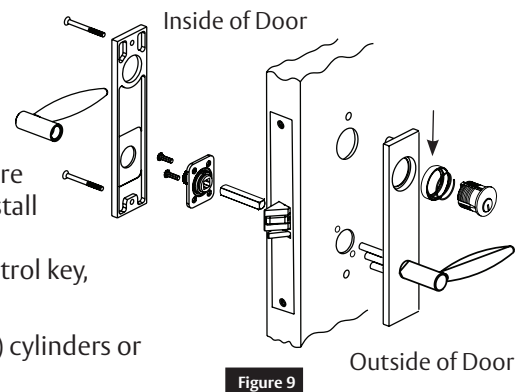


Figure 9

# MP6600 Series

## Multi-Point Lock

### Installation Instructions



The ASSA ABLOY Group is the global leader in access solutions. Every day, we help billions of people experience a more open world.

ASSA ABLOY Opening Solutions leads the development within door openings and products for access solutions in homes, businesses and institutions. Our offering includes doors, frames, door and window hardware, locks, perimeter fencing, access control and service.



Corbin Russwin, Inc.  
225 Episcopal Road  
Berlin, CT 06037 USA  
Phone: 800-543-3658  
Fax: 800-447-6714  
[www.corbinrusswin.com](http://www.corbinrusswin.com)

Corbin Russwin is a brand associated with ASSA ABLOY Access and Egress Hardware Group, Inc., an ASSA ABLOY Group company. Copyright © 2017, 2019, 2020 ASSA ABLOY Access and Egress Hardware Group, Inc. All rights reserved. Reproduction in whole or in part without the express written permission of ASSA ABLOY Access and Egress Hardware Group, Inc. is prohibited.

For installation assistance contact Corbin Russwin  
1-800-543-3658 • [techsupport.corbinrusswin@assaabloy.com](mailto:techsupport.corbinrusswin@assaabloy.com)

FM526 03/20