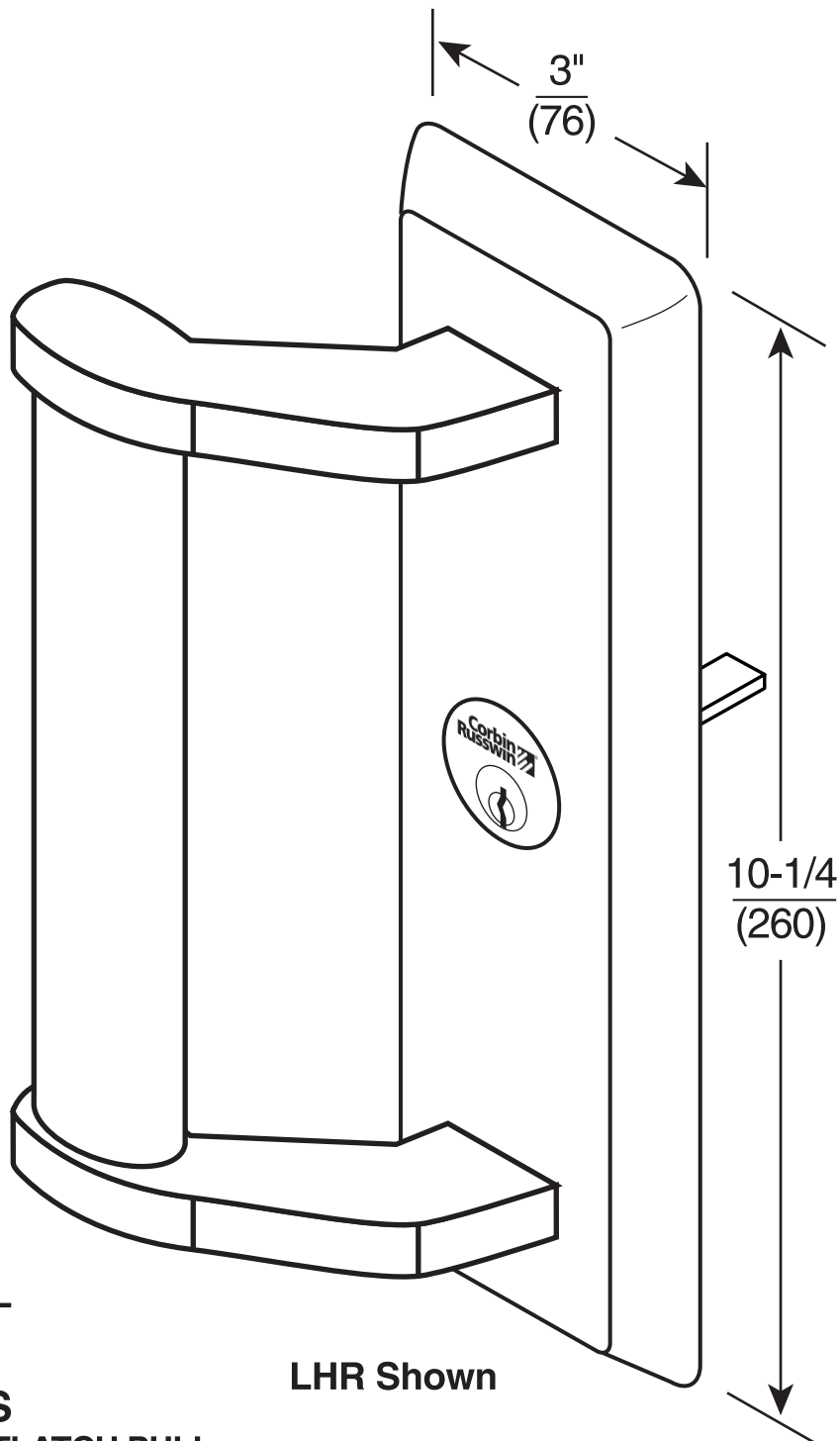


# P950 and P957 SERIES HEAVY DUTY OFFSET PULL TRIM

For use with ED5000 Series Exit Device  
(Metal, Wood or Composite Doors)

FM 263 06/13

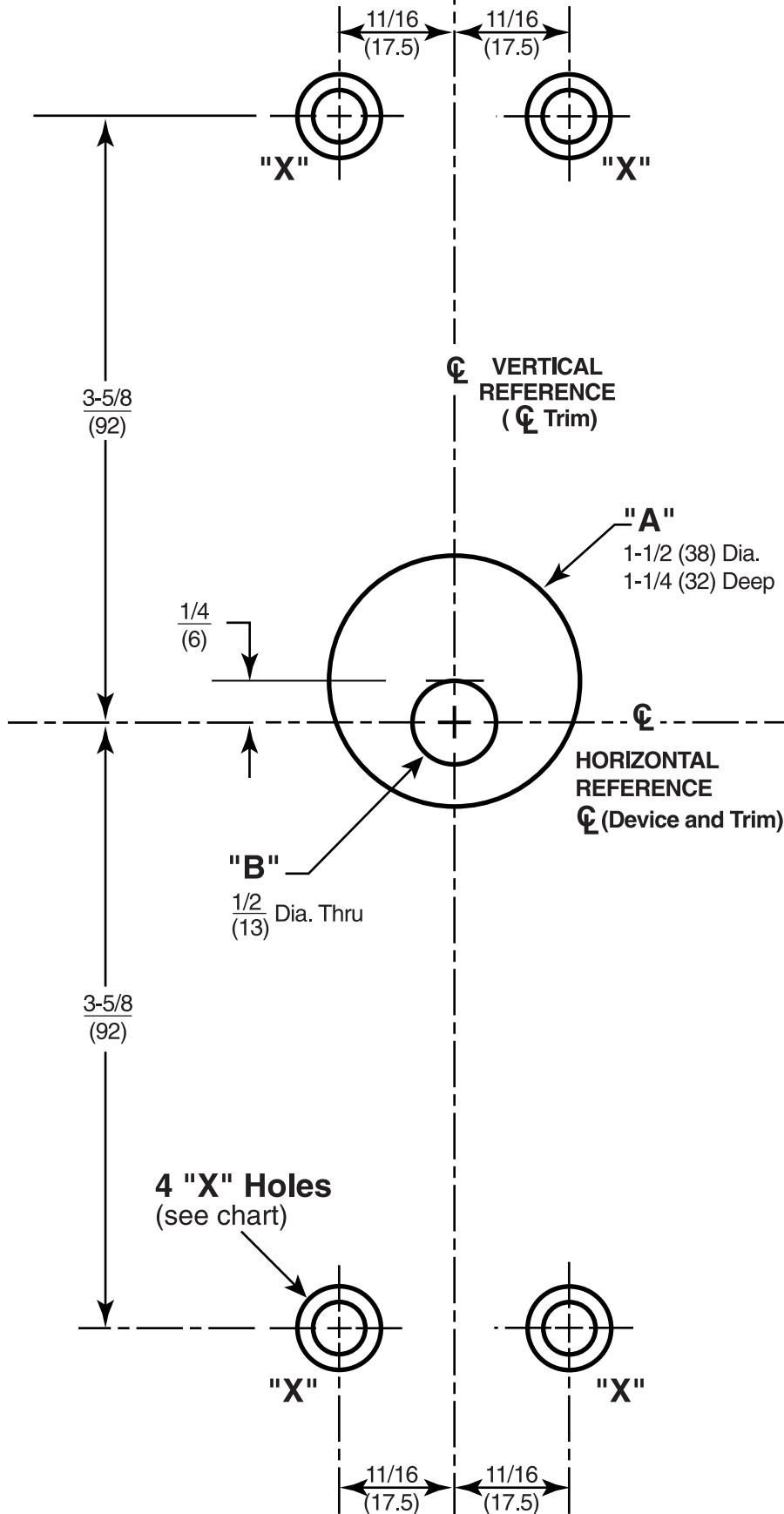


**P950 SERIES**  
**OFF-SET DUMMY PULL**  
Handed (RHR or LHR)

**P957 SERIES**  
**OFF-SET NIGHTLATCH PULL**  
Handed (RHR or LHR)

LHR Shown

# OUTSIDE DOOR FACE



# TRIM TEMPLATE

**HOLES MARKED "X"  
(4 Places)**

**METAL DOORS:**

Inside Face      5/16" (8) Dia.  
Outside Face      1/2" (13) Dia.

**WOOD DOORS:**

1/2" (13) Dia. Thru

Dimensions given in **Inches**  
(mm)

TRIM	HOLES
P950	X
P957	A, B, X

CUT LINE



**ASSA ABLOY**

In U.S.:  
Corbin Russwin, Inc.  
225 Episcopal Road  
Berlin, CT 06037 USA  
Phone: 800-543-3658

**Technical Product Support:**  
Phone: 888-607-5703

In Canada:  
ASSA ABLOY Door Security Solutions Canada  
160 Four Valley Drive  
Vaughan, Ontario, Canada L4K 4T9  
Phone: 800-461-3007

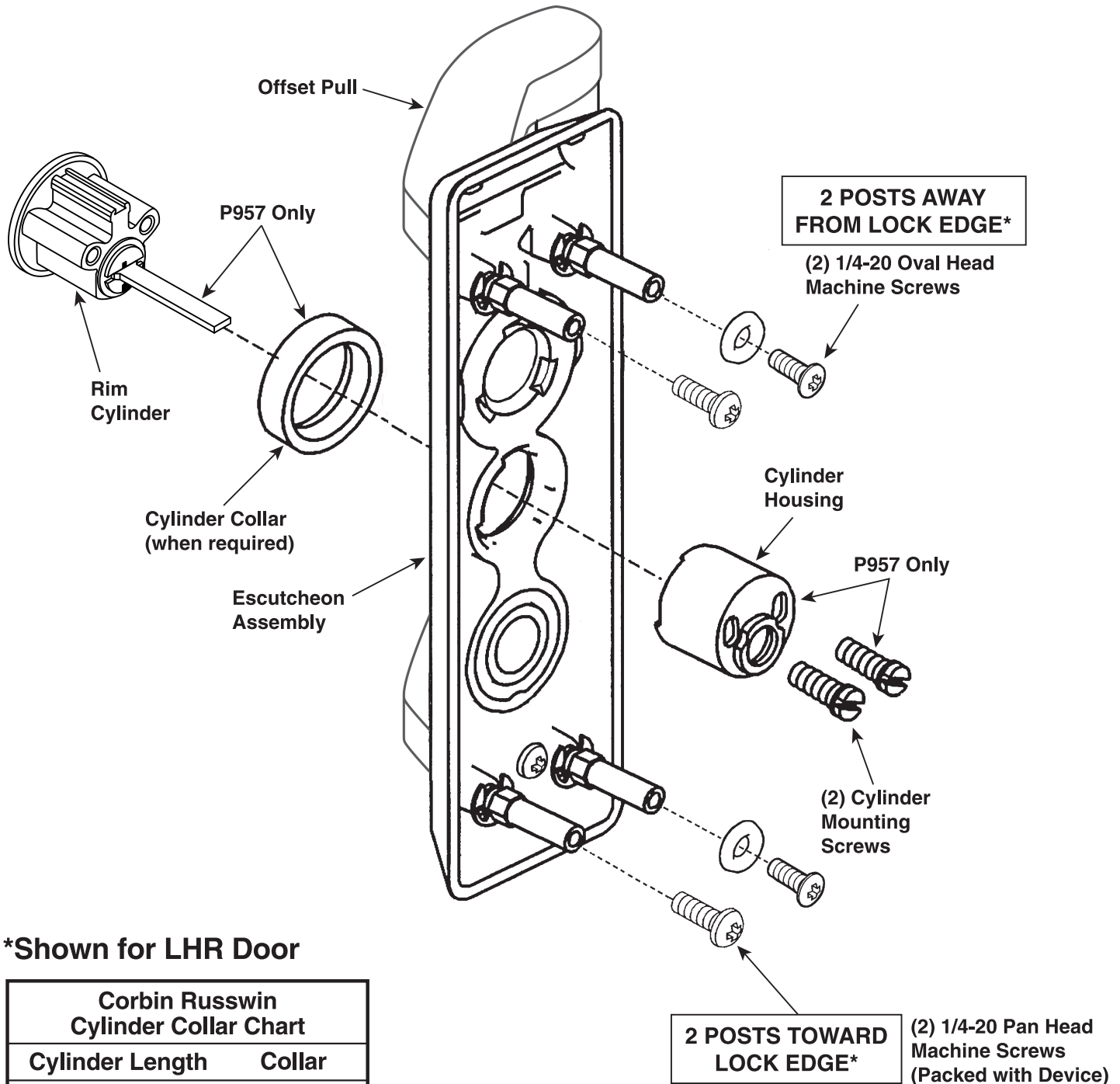
# Trim Assembly Instructions (P957 Only)

**1. Check cylinder components.**

**NOTE:** Cylinders longer than 1-1/8" (29) will require collars.  
Refer to Corbin Russwin cylinder collar chart.

**2. Assemble cylinder.**

Insert cylinder housing prongs into matching notches of escutcheon.  
Pass cylinder tailpiece thru cylinder collar (when required) and hole in cylinder housing.  
Fasten cylinder using (2) mounting screws.  
**DO NOT OVERTIGHTEN SCREWS.**



**\*Shown for LHR Door**

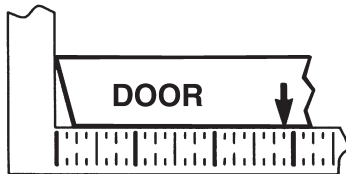
Corbin Russwin Cylinder Collar Chart	
Cylinder Length	Collar
1-1/8" (29)	None
1-1/4" (32)	422F88**
1-1/2" (38)	686F98**

**\*\* Specify Finish**

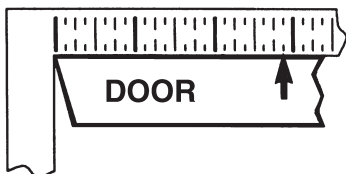
ASSA ABLOY, the global leader in door opening solutions

# Installation Instructions

1. Assemble trim. See other side for components and instructions.
2. After marking door inside face for device location (Device Instructions), transfer "Vertical Reference Centerline" from inside to outside door face. Follow steps 2a. and 2b. below.



2a. MEASURE INSIDE LINE LOCATION.



2b. TRANSFER DIMENSION TO OUTSIDE FACE.

3. Transfer "Horizontal Reference Centerline" from inside to outside door face.

4. Align trim template and tape to outside door face.  
**CAUTION:** Office copiers and facsimile machines may change the size of a drawing and make the template inaccurate to use as a door marker. If this is not the original template packed with the trim, use only the dimensions written on the template to locate the holes on the door (do not use the template as a door marker).
5. Spot holes and prepare door for trim.
6. Mount trim to door thru holes "B". Fasten, finger tight only, with 2 screws and washers seating on door, as shown in Figure 1.
7. Cut cylinder tailpiece as shown in Figure 2.
8. Seat device so that cylinder tailpiece engages cam slot, as shown in Figure 1. Continue as shown in device instructions.

