

PED4000 Series

Exit Device

Product Catalog

Experience a safer
and more open world

Table of Contents

PED4000 Series

Overview	3	Door Width & Height Options	25
Key Features	4-5	Device Centerline Options	26
Ratings and Certifications	6	Rails, Covers & End Caps	27
PED4200 Rim Exit Devices		Lever Trim	28
Specifications	7	Auxiliary Control	29
How to Order	7	Trim and Pulls	30
Functions, Functions/Trim	8-10	Levers - Standard	31
Options.	11	Levers - Decorative.	32-36
Strikes.	12-13	Electrical Options	37-44
PED4600 Mortise Lock Exit Device		Mechanical Options	45-50
Specifications	14	Cylinder Options	51-56
How to Order	14	Shim Kits	57
Functions, Functions/Trim	15-16	Mullions - Aluminum	58
Options.	17	Mullions - Steel	59
Strikes.	18	Mullions - Accessories	60-61
PED4800 Concealed Vertical Rod		Accessories	62
Specifications	19	Finishes	63-65
How to Order	19	How to Order	66-67
Functions, Functions/Trim	20-21	Architectural Specifications	68
Options.	22	Additional Resources	69
Strikes.	23-24		

The PED4000 Series is the **next generation** of exit devices. With new and enhanced features, this exit device is ideal for environments that require elegance along with maximum strength and durability, all configurations (rim, mortise, and concealed vertical rod) exceed ANSI/BHMA Grade 1 requirements.

Innovation

- All wires for electromechanical options are routed through the rail
- Vertical rods adjusted at the center case
- Hidden dogging mechanism
- Improved Delayed Egress functionality
- Enhanced Motorized Electric Latch Retraction features
- EcoFlex® technology on all electrified trim
- 5lb pressure latch release optional on all rim and concealed vertical rod device types to comply with California Building Codes
- Available with MicroShield or CuVerro Shield Coating (Available as a Special)

Security

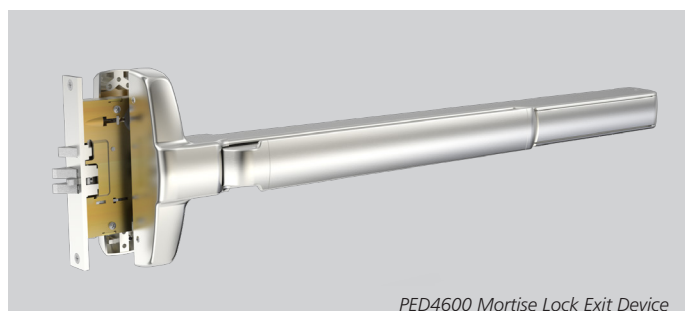
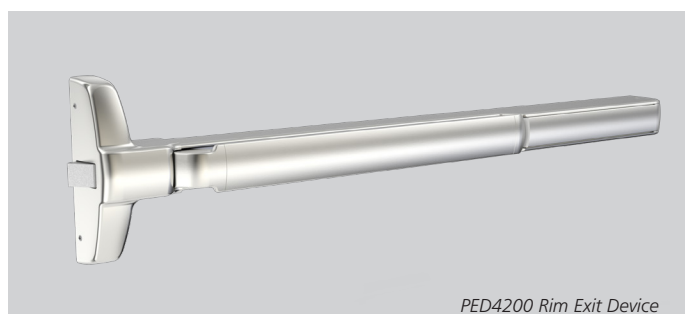
- Torx® screws
- Pushrail dogging option available, with or without indicators
- Master keying with Corbin Russwin Security Key systems available (Access 3, Pyramid)

Strength and Durability

- ANSI/BHMA A156.3 Grade 1 certified
- Exterior components made of stainless steel
- Heavy duty mounting construction
- Built to withstand abusive conditions and designed to deflect impacts from carts
- Robust end cap design for high impact environments
- 10-year warranty

Aesthetics

- Multiple trim options for wide and narrow stile applications
- Flush pushbar and rail carrier design to minimize catch points
- No visible fasteners on rail assembly
- Mixed finish options
- Available with Muséo Line decorative lever trim
- Available with MicroShield or CuVerro Shield coating

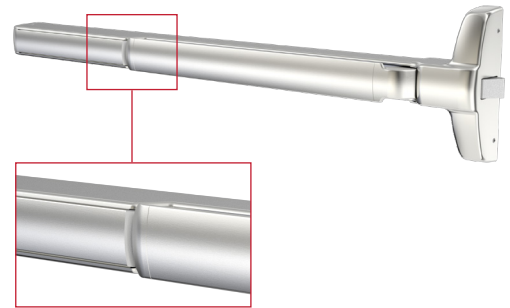


Key Features

PED4000 Series

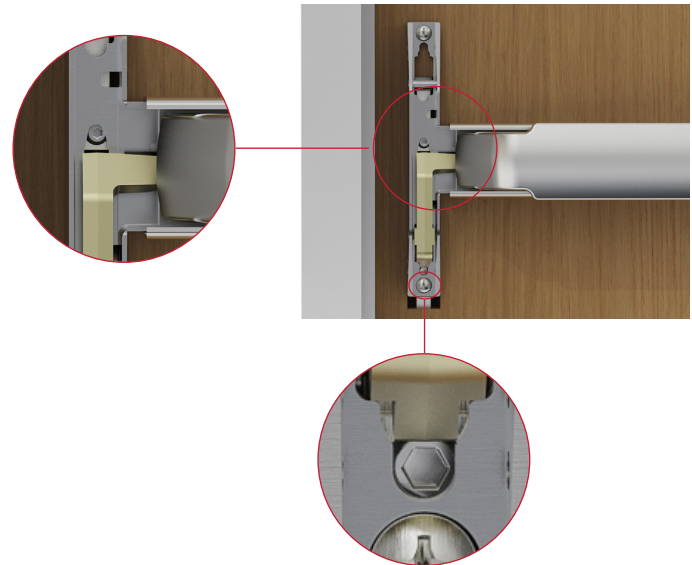
Eliminated Catch Points

The design for the interaction of the pushbar and rail carrier is significant. Creating a flush profile increases safety by reducing catch points from bags/straps and increasing mobility for firehoses. The elimination of catch points also extends the life of the exit device with reduced maintenance and parts replacement.



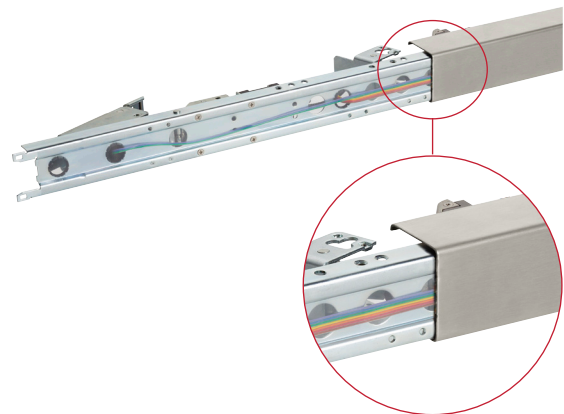
Center Case Adjustability

This feature eliminates the challenges and time needed to adjust latch engagement on vertical rod devices. The PED4000 Series includes the capability to make adjustments up to 5/8" while the door is hung in place, using only an allen wrench.



Wire Routing

Wires for all electromechanical function options (D, MELR, M91, M93, M97 and EcoFlex trim) are contained within the carrier of the PED4000 Series exit device, eliminating the need for cavities in doors to be drilled. This makes installation and upgrades easier and faster.



Key Features

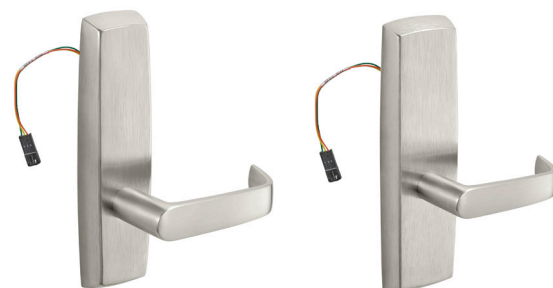
PED4000 Series

EcoFlex® Technology



Corbin Russwin EcoFlex trim reduces energy consumption, which lowers operating costs and reduces the number of power supplies required.

- Field configurable to fail-safe or fail-secure, and operates from 12-24VDC, offering greater flexibility in system design
- Superior reliability through higher performance and reduced maintenance
- Longer cable runs without negatively impacting lock function
- Reduced risk of voltage drops and eliminates inductive kickback
- Lowers the total cost of ownership



Status Indicators

The PED4000 Series includes three status indicator options to provide peace of mind for occupant safety and security.

- The Active Dogging Indicator displayed in the pushpad for visual confirmation if the door is secure.
- Our M48 Passive Dogging option with a subtle display on the side of the pushpad .
- As well the M47 Trim Status Indicator option with a large display on the chassis cover for our Classroom Intruder functions.

M48 Passive Dogging Indicator



Active Dogging Indicator



Aesthetics

Complement the look of the entire opening with door closer covers, specifically designed to match the exit device design. These covers are available on all DC8000 Series door closers.



Ratings and Certifications

PED4000 Series

UL Fire Ratings

Type	Exit Device	Door Material	Single Door	With CR900A Mullion	VR/VR Doors Swing Same Direction	CVR/Mortise MD Doors Swing Same Direction	VR/VR Double Egress
Rim	PED4200 A	Metal	3 Hour 4' x 10'	3 Hour 8' x 8'	-	-	-
Mortise	PED4600 A	Metal	3 Hour 4' x 10'	-	-	3 Hour 8' x 10'	-
CVR	PED4800 A MD	Metal	-	-	3 Hour 8' x 10'	3 Hour 8' x 10'	3 Hour 8' x 10'
	ED4800 A M55 MD	Metal	-	-	3 Hour 8' x 10'	-	3 Hour 8' x 10'

Any retrofit or other field modification to a fire-rated opening can potentially impact the fire rating of the opening, and Corbin Russwin Manufacturing Company makes no representations or warranties concerning what such impact may be in any specific situation. When retrofitting any portion of an existing fire-rated opening, or specifying and installing a new fire-rated opening, please consult with a code specialist or local code official (Authority Having Jurisdiction) to ensure compliance with all applicable codes and ratings.

Note: Please contact door manufacturer for specifications regarding fire door construction and current UL listing.

PED4200 Rim Exit Device

PED4000 Series



Specifications

Chassis Cover	Stainless steel, brass or bronze
Chassis	Ferrous alloy
Door Type	Wood, metal, aluminum (Consult factory for other door type options)
Door Configuration	Single door or double door with mullion
Door Thickness	<ul style="list-style-type: none"> 1-3/4" minimum thickness, supplied standard For 2" doors specify D200, for 2-14" doors specify D214
Door Width	<ul style="list-style-type: none"> Standard rail sizes- W032, W036, W042, W048 Custom sizes available, see page 25
Stile	2" minimum stile
Rails	Stainless steel, brass or bronze
Projection	3.10"
Latchbolt	Stainless steel, 3/4" throw
End Cap	<ul style="list-style-type: none"> Flush end cap standard Overlapping end cap optional - Specify M111
Device Centerline	<ul style="list-style-type: none"> 39-5/8" for standard applications 38" for elementary schools (AFF038) See page 26 for more details
Dogging Feature	<ul style="list-style-type: none"> Hex key dogging standard on non fire-rated mechanical devices Specify M51 for less dogging Specify M52 for cylinder dogging (Mortise cylinder required, must be ordered separately.)
Indicators	<ul style="list-style-type: none"> Specify M48 for passive dogging indicator
Strikes	<ul style="list-style-type: none"> 656 & 657 Strike - Standard 649 Strike - Standard for fire-rated devices Optional strikes – 613, 642 644, and 649 604 Wear Plate - Optional
Mounting Fasteners	<ul style="list-style-type: none"> Wood and machine screws provided Available with thrubolts (M54)
Fire Ratings	See ratings and certifications table on page 6

How to Order

Device Type	Function	Options (Cylinder/Mechanical/Electrical)	Trim	Finish - Outside	Hand	Optional Strikes	Finish - Inside	Door Width*
PED42	47	MELR	A947PT	626	RHR	644	630	W036

How to Order - Device Only

Device Type	Function	Options (Cylinder/Mechanical/Electrical)	Finish	Door Width*
PED42	47	MELR	630	W036

*See page 25 for more details

PED4200 Rim Exit Device

PED4000 Series

Functions

Device Only

Function	ANSI	Description	Device Only
01	01	No outside operation (No Cylinder)	PED4201
-	-	Decorative, static push bar. Outside trim ordered separately	PED5000DB
-	-	Active dummy rail. Outside trim ordered separately.	PED5000ADB

Functions/Trim



(Wide Stile
900PT Trim)

Trim (For trim details, see page 28. For lever options, see pages 31-36.)

Function	ANSI	Description	With Device	Trim Only*
10	14	Passage only (no cylinder)	PED4210 x ^910PT	^910PT
40	02	No outside operation (no cylinder) dummy trim	PED4240 x ^940PT	^940PT
45+	08	Key outside unlocks/locks trim	PED4245 x ^945PT	^945PT
47+	03	Night latch-key retracts latch	PED4247 x ^947PT	^947PT
49+	09	Key unlocks trim, trim retracts latch/trim relocks when key is removed	PED4249 x ^949PT	^949PT
50	01	No outside operation (no cylinder); Freewheeling trim.	PED4250 x ^950PT	^950PT
55+	08	Key outside unlocks/locks trim. Freewheeling trim.	PED4255 x ^955PT	^955PT
57+	03	Night latch-key retracts latch. Freewheeling trim.	PED4257 x ^957PT	^957PT
59+	09	Key unlocks trim, trim retracts latch/trim relocks when key is removed. Freewheeling trim.	PED4259 x ^959PT	^959PT
910	-	Electrified trim - fail safe power off, unlocks lever (no cylinder)	PED42910 x ^9910PT	^9910PT
930	-	Electrified trim - fail secure power off, locks lever (no cylinder)	PED42930 x ^9930PT	^9930PT

+ If cylinder is required, include cylinder type in order string. See page 51 for details.

*Must specify finish
^Must specify trim



(Narrow Stile
800PT Trim)

Function	ANSI	Description	With Device	Trim Only*
10	14	Passage only (no cylinder)	PED4210 x ^810PT	^810PT
40	02	No outside operation (no cylinder) dummy trim	PED4240 x ^840PT	^840PT
45+	08	Key outside unlocks/locks trim	PED4245 x ^845PT	^845PT
47+	03	Night latch-key retracts latch	PED4247 x ^847PT	^847PT
49+	09	Key unlocks trim, trim retracts latch/trim relocks when key is removed	PED4249 x ^849PT	^849PT
50	01	No outside operation (no cylinder); Freewheeling trim.	PED4250 x ^850PT	^850PT
55+	08	Key outside unlocks/locks trim. Freewheeling trim.	PED4255 x ^855PT	^855PT
57+	03	Night latch-key retracts latch. Freewheeling trim.	PED4257 x ^857PT	^857PT
59+	09	Key unlocks trim, trim retracts latch/trim relocks when key is removed. Freewheeling trim.	PED4259 x ^859PT	^859PT
910	-	Electrified trim - fail safe power off, unlocks lever (no cylinder)	PED42910 x ^8910PT	^8910PT
930	-	Electrified trim - fail secure power off, locks lever (no cylinder)	PED42930 x ^8930PT	^8930PT

+ If cylinder is required, include cylinder type in order string. See page 51 for details.

*Must specify finish
^Must specify trim

Key Only



Function	ANSI	Description	With Device	Trim Only*
57	03	Night latch-key retracts latch #34 cylinder supplied	PED4257 x K157ET	K157ET

PED4200 Rim Exit Device

PED4000 Series

Trim (For trim details see page 30)



(T33 Pull Trim)

Function	ANSI	Description	With Device	Trim Only*
50T	02	No outside operation (no cylinder); Used as pull only	PED4250T x T3350ET	T3350ET
57T	03	Night latch-key retracts latch	PED4257T x T3357ET	T3357ET

*Must specify finish



(T34 Pull Trim)

Function	ANSI	Description	With Device	Trim Only*
50T	02	No outside operation (no cylinder); Used as pull only	PED4250T x T3450ET	T3450ET
57T	03	Night latch-key retracts latch	PED4257T x T3457ET	T3457ET

*Must specify finish



(T35 Pull Trim)

Function	ANSI	Description	With Device	Trim Only*
50T	02	No outside operation (no cylinder); Used as pull only	PED4250T x T3550ET	T3550ET
57T	03	Night latch-key retracts latch	PED4257T x T3557ET	T3557ET

*Must specify finish



(T36 Pull Trim)

Function	ANSI	Description	With Device	Trim Only*
50T	02	No outside operation (no cylinder); Used as pull only	PED4250T x T3650ET	T3650ET
57T	03	Night latch-key retracts latch	PED4257T x T3657ET	T3610ET

*Must specify finish



(T37 Pull Trim)

Function	ANSI	Description	With Device	Trim Only*
50T	02	No outside operation (no cylinder); Used as pull only	PED4250T x T3750ET	T3750ET
57T	03	Night latch-key retracts latch	PED4257T x T3757ET	T3757ET

*Must specify finish

Notes:

- Images represent the design of the backplate. Thumbpieces and cylinders are added to select functions.
- T34xx pull trim is not available in 629 or 630.
- Thumb piece trims are not available in 618, 619, 625 or 626, except T34xx is available in 618 & 619.

PED4200 Rim Exit Device

PED4000 Series

Trim (For trim details see page 30)



(P12, P13, P14 Pull)

Function	ANSI	Description	With Device	Trim Only*
50T	02	No outside operation (no cylinder)	PED4250T x P1x	P1x
57T	03	Night latch-key retracts latch	PED4257T x P1x	P1x

*Must specify finish

Note:

- Pulls and thumb piece trims are not available in 618, 619, 625 or 626.

PED4200 Rim Exit Device

PED4000 Series

Mechanical Options (Quick Codes)

	How to Specify	Detailed Description
Cylinder	LC	Less cylinder
Dogging	M51	Less dogging for non fire-rated devices
	M52	Cylinder lockdown (not available with A, D, M61, M114 options)
End Cap	M111	Overlapping end cap
Fire-rated	A	UL fire label exit hardware (not available with M48, M52 & M114 options)
	M48	Passive dogging indicator
Latching	GL	Guarded Latch
Photoluminescence	M49	PathLite – photoluminescent push rail – (not available with M23 & M24 options)
Rail Force	5CH	5lb. Pressure Release
Security Fasteners	M04	Six lobe security head screws
Tactile Warning	M21	Tactile warning - milled outside lever (not available with Muséo Collection levers)
	M23	Tactile warning - abrasive strip on push rail & abrasive coating on outside lever (not available with M49 option)
	M24	Tactile warning - abrasive strip on push rail (not available with M49 option)
	M25	Tactile warning - abrasive coating on outside lever
Thick Doors	D200	2" doors and/or panels (specify door thickness, panel thickness & location as required)
	D214	2-1/4" doors and/or panels (specify door thickness, panel thickness & location as required)
ThruBolts	M54	ThruBolts

Electrical Options (Quick Codes)

	How to Specify	Detailed Description
Electrical Options	D	Electroguard® self contained delayed egress device (not available with HC, M52, M61, M91, M92, M97, M107 & MELR)
	M61	Alarmed exit (not available with D, GL, HC, M52, M107 & MELR options)
	M91	Latchbolt monitoring switch (not available with D, HC, M107 options)
	WM91	Weather Resistant Latchbolt monitoring switch (not available with D, HC, M107 options)
	M92	Request to exit - signal switch in rail (not available with D option)
	WM92	Weather Resistant Request to exit - signal switch in rail (not available with D option)
	M92 ERM	Double touchbar monitoring
	WM92 ERM	Weather Resistant Double Touchbar Monitoring
	M93	Monitors PT lever movement with Internal micro switch in PT control
	WM93	Weather Resistant Monitors PT lever movement with Internal micro switch in PT control
	M97	Electric rail dogging (not available with D & MELR options)
	M114	Electrified exit device with manual hex key dogging (also available with MELR & M97 options)
	MELR	Motorized Electric latch retraction (not available with D, M61 & M97 options)
	WH	Weep Holes - Available with WM91, WM92, WM92-ERM and W93
	WR	Wire harness included when electrified trim is ordered separately (supplied standard with D option)

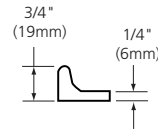
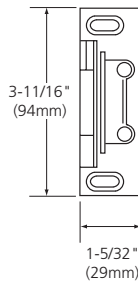
PED4200 Rim Exit Device

PED4000 Series

Standard Strikes

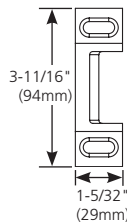
649 Strike

- Standard for fire rated devices
- Surface applied
- Black nylon coated
- Required backset - 1-1/2"
- See template [#MEDT38](#) (single door applications) for more details
- See template [#MEDT39](#) (double door/mullion applications) for more details



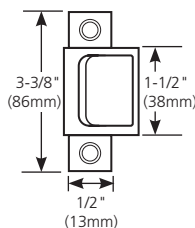
656 Strike

- Surface applied
- Required backset:
 - 2" - Aluminum mullions
 - 2-3/8" - Steel mullions
- Black nylon coated
- See template [#MEDT74](#) for more details



657 Strike

- Standard
- Surface applied or mortised
- For use on frames with blade stop or integral stop
- Black nylon coated
- See template [#MEDT37](#) for more details



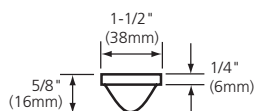
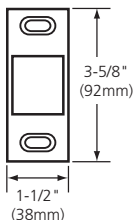
PED4200 Rim Exit Device

PED4000 Series

Optional Strikes

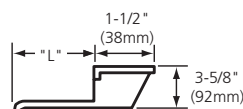
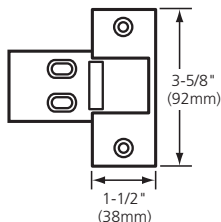
613 Strike

- Half mortised
- Black nylon coated
- See template #MEDT73 for more details



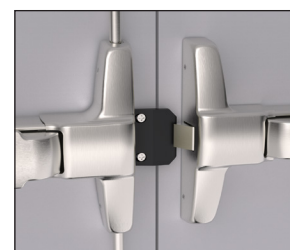
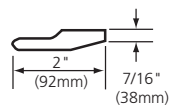
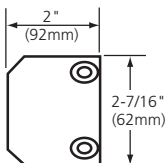
642 Strike

- Mortised
- Dimension "L" equals door thickness plus 1/2" (13mm)
- Black nylon coated
- See template #MEDT71 for more details



644 Strike

- Surface applied
- For use on pairs of doors without mullion
- Ductile Iron
- Black nylon coated
- See template #MEDT72 for more details



PED4600 Mortise Lock Exit Device

PED4000 Series



Specifications

Chassis Cover	Stainless steel, brass or bronze
Chassis	Nonferrous alloy
Door Type	Wood, metal, aluminum (Consult factory for other door type options)
Door Configuration	Single doors or double doors with Mortise/SVR configuration
Door Thickness	<ul style="list-style-type: none"> 1-3/4" minimum thickness, supplied standard For 2" doors specify D200, for 2-14" doors specify D214
Door Width	<ul style="list-style-type: none"> Standard rail sizes - W032, W036, W042, W048 Custom sizes available, see page 25
Stile	4-1/2" minimum - narrow & wide trim
Rails	Stainless steel, brass or bronze
Projection	3.10"
Latchbolt	Brass Nickel Plated, 3/4" throw, anti-friction
Guarded Deadlatch	Provided as standard feature
End Cap	<ul style="list-style-type: none"> Flush end cap standard Overlapping end cap optional - Specify M111
Device Centerline (AFF)	<ul style="list-style-type: none"> 39-5/8" for standard applications 38" for elementary schools (AFF038) See page 26 for more details
Dogging Feature	<ul style="list-style-type: none"> Hex key dogging standard on non fire-rated devices Specify M52 for cylinder dogging (Mortise cylinder required, must be ordered separately.) Specify M51 for less dogging
Indicator	Specify M48 for passive dogging indicator
Strikes	<ul style="list-style-type: none"> C908 Black Nylon Coated Optional Strikes – 815 or 908
Mounting Fasteners	<ul style="list-style-type: none"> Wood and machine screws provided Available with thrubolts (M54)
Fire Ratings	See ratings and certifications table on page 4

How to Order

Device Type	Function	Options (Cylinder/Mechanical/Electrical)	Trim	Finish - Outside	Hand	Door Thickness	Optional Strikes	Finish - Inside	Door Width*
PED46	47	MELR	A9M47PT	626	RHR	D214	SB214	630	W036

How to Order - Device Only

Device Type	Function	Options (Cylinder/Mechanical/Electrical)	Door Thickness	Finish	Door Width*
PED46	47	MELR	D214	630	W036

*See page 25 for details

PED4600 Mortise Lock Exit Device

PED4000 Series

Functions

Device Only

Function	ANSI	Description	Device Only
01	01	No outside operation (No Cylinder)	PED4601

Functions/Trim

Trim (For trim details, see page 28. For lever options, see pages 31-36.)



(Wide Stile
900PT Trim)

Function	ANSI	Description	With Device	Trim Only*
10	14	Passage only (no cylinder)	PED4610 x ^9M10PT	^9M10PT
40	02	No outside operation (no cylinder) dummy trim	PED4640 x ^9M40PT	^9M40PT
45+	08	Key outside unlocks/locks trim	PED4645 x ^9M45PT	^9M45PT
47+	03	Night latch-key retracts latch	PED4647 x ^9M47PT	^9M47PT
49+	09	Key unlocks trim, trim retracts latch/trim relocks when key is removed	PED4649 x ^9M49PT	^9M49PT
50	01	No outside operation (no cylinder); Freewheeling trim.	PED4650 x ^9M50PT	^9M50PT
55+	08	Key outside unlocks/locks trim. Freewheeling trim.	PED4655 x ^9M55PT	^9M55PT
57+	03	Night latch-key retracts latch. Freewheeling trim.	PED4657 x ^9M57PT	^9M57PT
59+	09	Key unlocks trim, trim retracts latch/trim relocks when key is removed. Freewheeling trim.	PED4659 x ^9M59PT	^9M59PT
903+	-	Electrified trim - fail safe power off, unlocks lever, key retracts latch	PED46903 x ^9M903PT	^9M903PT
905+	-	Electrified trim - fail secure power off, locks lever, key retracts latch	PED46905 x ^9M905PT	^9M905PT
910	-	Electrified trim - fail safe power off, unlocks lever (no cylinder)	PED46910 x ^9M910PT	^9M910PT
930	-	Electrified trim - fail secure power off, locks lever (no cylinder)	PED46930 x ^9M930PT	^9M930PT

+ If cylinder is required, include cylinder type in order string. See page 51 for details.

*Must specify finish
^Must specify trim



(Narrow Stile
800PT Trim)

Function	ANSI	Description	With Device	Trim Only*
10	14	Passage only (no cylinder)	PED4610 x ^8M10PT	^8M10PT
40	02	No outside operation (no cylinder) dummy trim	PED4640 x ^8M40PT	^8M40PT
45+	08	Key outside unlocks/locks trim	PED4645 x ^8M45PT	^8M45PT
47+	03	Night latch-key retracts latch	PED4647 x ^8M47PT	^8M47PT
49+	09	Key unlocks trim, trim retracts latch/trim relocks when key is removed	PED4649 x ^8M49PT	^8M49PT
50	01	No outside operation (no cylinder); Freewheeling trim.	PED4650 x ^8M50PT	^8M50PT
55+	08	Key outside unlocks/locks trim. Freewheeling trim.	PED4655 x ^8M55PT	^8M55PT
57+	03	Night latch-key retracts latch. Freewheeling trim.	PED4657 x ^8M57PT	^8M57PT
59+	09	Key unlocks trim, trim retracts latch/trim relocks when key is removed. Freewheeling trim.	PED4659 x ^8M59PT	^8M59PT
903+	-	Electrified trim - fail safe power off, unlocks lever, key retracts latch	PED46903 x ^8M903PT	^8M903PT
905+	-	Electrified trim - fail secure power off, locks lever, key retracts latch	PED46905 x ^8M905PT	^8M905PT
910	-	Electrified trim - fail safe power off, unlocks lever (no cylinder)	PED46910 x ^8M910PT	^8M910PT
930	-	Electrified trim - fail secure power off, locks lever (no cylinder)	PED46930 x ^8M930PT	^8M930PT

+ If cylinder is required, include cylinder type in order string. See page 51 for details.

*Must specify finish
^Must specify trim

Key Only



Function	ANSI	Description	With Device	Trim Only*
57	03	Night latch-key retracts latch #34 cylinder supplied	PED4257 x K1M57ET	K1M57ET

PED4600 Mortise Lock Exit Device

PED4000 Series

Trim (For trim details see page 30)



Function	ANSI	Description	With Device	Trim Only*
10T	15	Passage only (no cylinder)	PED4610T x T3310ET	T3310ET
50T	02	No outside operation (no cylinder); Used as pull only	PED4650T x T3350ET	T3350ET
55T	05	Key outside unlocks/locks thumbpiece	PED4655T x T3355ET	T3355ET
57T	03	Night latch-key retracts latch	PED4657T x T3357ET	T3357ET

*Must specify finish

(T33 Pull Trim)



Function	ANSI	Description	With Device	Trim Only*
10T	15	Passage only (no cylinder)	PED4610T x T3410ET	T3410ET
50T	02	No outside operation (no cylinder); Used as pull only	PED4650T x T3450ET	T3450ET
55T	05	Key outside unlocks/locks thumbpiece	PED4655T x T3455ET	T3455ET
57T	03	Night latch-key retracts latch	PED4657T x T3457ET	T3457ET

*Must specify finish

(T34 Pull Trim)



Function	ANSI	Description	With Device	Trim Only*
10T	15	Passage only (no cylinder)	PED4610T x T3510ET	T3510ET
50T	02	No outside operation (no cylinder); Used as pull only	PED4650T x T3550ET	T3550ET
55T	05	Key outside unlocks/locks thumbpiece	PED4655T x T3555ET	T3555ET
57T	03	Night latch-key retracts latch	PED4657T x T3557ET	T3557ET

*Must specify finish

(T35 Pull Trim)



Function	ANSI	Description	With Device	Trim Only*
10T	15	Passage only (no cylinder)	PED4610T x T3610ET	T3610ET
50T	02	No outside operation (no cylinder); Used as pull only	PED4650T x T3650ET	T3650ET
55T	05	Key outside unlocks/locks thumbpiece	PED4655T x T3655ET	T3655ET
57T	03	Night latch-key retracts latch	PED4657T x T3657ET	T3657ET

*Must specify finish

(T36 Pull Trim)



Function	ANSI	Description	With Device	Trim Only*
10T	15	Passage only (no cylinder)	PED4610T x T3710ET	T3710ET
50T	02	No outside operation (no cylinder); Used as pull only	PED4650T x T3750ET	T3750ET
55T	05	Key outside unlocks/locks thumbpiece	PED4655T x T3755ET	T3755ET
57T	03	Night latch-key retracts latch	PED4657T x T3757ET	T3757ET

*Must specify finish

(T37 Pull Trim)

Notes:

- Images represent the design of the backplate. Thumbpieces and cylinders are added to select functions.
- Thumbpiece trims are not available in 618, 619, 625 or 626, except T34 is available in 618 & 619.
- T34 trim is not available in 629 or 630.

PED4600 Mortise Lock Exit Device

PED4000 Series

Mechanical Options (Quick Codes)

	How to Specify	Detailed Description
Cylinder	LC	Less cylinder
Dogging	M51	Less dogging for non fire-rated devices
	M52	Cylinder lockdown (not available with A, D, M61, M114 options)
End Cap	M111	Overlap end cap
Fire-rated	A	UL fire label exit hardware (not available with M52, M48 & M114 options)
Indicator	M48	Passive dogging indicator
Photoluminescence	M49	PathLite – photoluminescent push rail – (not available with M23 & M24 options)
Security Fasteners	M04	Six lobe security head screws
Tactile Warning	M21	Tactile warning - milled outside lever (not available with Muséo Collection levers)
	M23	Tactile warning - abrasive strip on push rail & abrasive coating on outside lever (not available with M49 option)
	M24	Tactile warning - abrasive strip on push rail (not available with M49 option)
	M25	Tactile warning - abrasive coating on outside lever
Thick Doors	D200	2" doors and/or panels (specify door thickness, panel thickness & location as required)
	D214	2-1/4" doors and/or panels (specify door thickness, panel thickness & location as required)

Electrical Options (Quick Codes)

	How to Specify	Detailed Description
Electrical Options	D	Electroguard® self contained delayed egress device (not available with HC, M52, M61, M91, M92, M97, M107 & MELR)
	M61	Alarmed exit (not available with D, GL, HC, M52, M107 & MELR options)
	M91	Latchbolt monitoring switch (not available with D, HC, M107 options)
	M92	Request to exit - signal switch in rail (not available with D option)
	M92 ERM	Double touchbar monitoring
	M93	Monitors PT lever movement with Internal micro switch in PT control
	M97	Electric rail dogging (not available with D & MELR options)
	M114	Electrified exit device with manual hex key dogging (also available with MELR & M97 options)
	MELR	Motorized Electric latch retraction (not available with D, M61 & M97 options)
	WR	Wire harness included when electrified trim is ordered separately (supplied standard with D option)

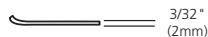
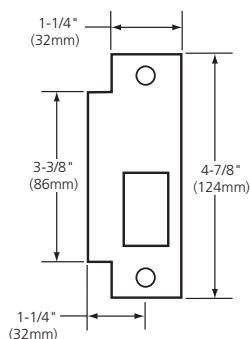
PED4600 Mortise Lock Exit Device

PED4000 Series

Standard Strikes

C908 Strike

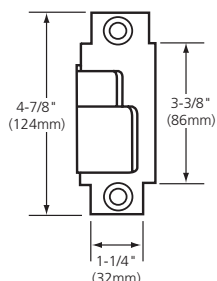
- Curved lip ANSI A-115.1
- Supplied standard
- Handed. 1-1/4" (32mm) lip standard
- Longer lips in increments of 1/4" (6mm) through 2-7/8" (73mm) available
- Black nylon coated
- See template [#MEDT50](#) for more details



Optional Strikes

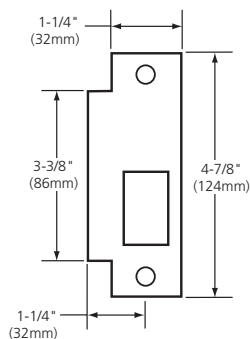
815 Open Back Strike

- ANSI A-115.14 Open Back
- Beveled 1/8" (3mm) in 2" (51mm)
- Specify hand of active door
- Black nylon coat
- See template [#MEDT49](#) for more details



908 Strike

- 908 - Flat lipped
- Handed. 1-1/4" (32mm) lip standard
- Longer lips in increments of 1/4" (6mm) through 2-7/8" (73mm) available
- Black nylon coated
- See template [#MEDT50](#) for more details



PED4800 Concealed Vertical Rod

PED4000 Series



Specifications

Chassis Cover	Stainless steel, brass or bronze
Chassis	Nonferrous alloy
Door Type	Must be specified - Aluminum or metal doors
Door Configuration	Single or double doors
Door/Opening Height	Must be specified - • 120" maximum door opening
Door Thickness	• 1-3/4" minimum thickness, supplied standard • For 2" doors specify D200, for 2-14" doors specify D214
Door Width	• Standard rail sizes - W032, W036, W042, W048 • Custom sizes available, see page 25
Cladding	• Available for 1/4" on 1/2" panels. Specify 31- and panel thickness on order. • Only available on 1-3/4" door thickness. Must be noted separately from door thickness on order string.
Stile	• 4-1/2" (114mm) minimum - narrow & wide trim • 3-1/2" (44mm) minimum - without trim
Rails	Stainless steel, brass or bronze
Projection	3.10"
Latching	• Top latch - stainless steel bolt; Bottom latch - stainless steel • Available as Top latch only (M55)
End Cap	• Flush end cap standard • Overlapping end cap optional - Specify M111
Device Centerline	• 39-5/8" for standard applications • 38" for elementary schools (AFF038) (AFF) • See page 26 for more details
Dogging Feature	• Hex key dogging standard on non fire-rated devices • Specify M52 for cylinder dogging (Mortise cylinder required, must be ordered separately.) • Specify M51 for less dogging
Rods	Adjusted at center case
Indicator	Specify M48 for passive dogging indicator
Strikes	• 652 Top & Bottom Strike - standard for non-fire rated metal doors (MD) • 650 Top Strike - optional metal doors, with or without bottom rods (MD, M55 MD) • 640 Top & Bottom Strike - standard for aluminum doors (AD) • 639 Top Strike - standard with less bottom rod devices for aluminum doors (M55 AD) • 606 Bottom Strike - standard for fire rated metal doors (MD) • 606 Bottom Strike - optional
Mounting Fasteners	Supplied standard with metal screws
Fire Ratings	• See Ratings and Certifications Table • A M55 applications require thermal pin. Thermal pin supplied when ordered as a A M55 device

How to Order

Device Type	Function	Door Type	Options (Cylinder/Mechanical/Electrical)	Trim	Finish - Outside	Hand	Optional Strikes	Finish - Inside	Door Width*	Opening Height	AFF
PED48	49	AD	MELR	A9CV49PT	619	RHR	606	630	W036	Specify	Specify

How to Order - Device Only

Device Type	Function	Door Type	Options (Cylinder/Mechanical/Electrical)	Finish	Door Width*
PED48	49	AD	MELR	630	W036

*See page 25 for details

PED4800 Concealed Vertical Rod

PED4000 Series

Functions

Device Only

Function	ANSI	Description	Device Only
01	01	No outside operation (No Cylinder)	PED4801

Functions/Trim

Trim (For trim details, see page 28. For lever options, see pages 31-36.)



(Wide Stile
900PT Trim)

Function	ANSI	Description	With Device	Trim Only*
10	14	Passage only (no cylinder)	PED4810 x ^9CV10PT	^9CV10PT
40+	02	No outside operation (no cylinder) dummy trim	PED4850 x ^9CV40PT	^9CV40PT
45+	08	Key outside unlocks/locks trim	PED4845 x ^9CV45PT	^9CV45PT
49+	09	Key unlocks trim, trim retracts latch/trim relocks when key is removed	PED4849 x ^9CV49PT	^9CV49PT
50	01	No outside operation (no cylinder); Freewheeling trim.	PED4850 x ^9CV50PT	^9CV50PT
55+	08	Key outside unlocks/locks trim. Freewheeling trim.	PED4855 x ^9CV55PT	^9CV55PT
59+	09	Key unlocks trim, trim retracts latch/trim relocks when key is removed. Freewheeling trim.	PED4859 x ^9CV59PT	^9CV59PT
910	-	Electrified trim - fail safe power off, unlocks lever (no cylinder)	PED48910 x ^9CV910PT	^9CV910PT
930	-	Electrified trim - fail secure power off, locks lever (no cylinder)	PED48930 x ^9CV930PT	^9CV930PT

+ If cylinder is required, include cylinder type in order string. See page 51 for details.

*Must specify finish
^Must specify trim



(Narrow Stile
800PT Trim)

Function	ANSI	Description	With Device	Trim Only*
10	14	Passage only (no cylinder)	PED4810 x ^8CV10PT	^8CV10PT
40+	02	No outside operation (no cylinder) dummy trim	PED4850 x ^8CV40PT	^8CV40PT
45+	08	Key outside unlocks/locks trim	PED4845 x ^8CV45PT	^8CV45PT
49+	09	Key unlocks trim, trim retracts latch/trim relocks when key is removed	PED4849 x ^8CV49PT	^8CV49PT
50	01	No outside operation (no cylinder); Freewheeling trim.	PED4850 x ^8CV50PT	^8CV50PT
55+	08	Key outside unlocks/locks trim. Freewheeling trim.	PED4855 x ^8CV55PT	^8CV55PT
59+	09	Key unlocks trim, trim retracts latch/trim relocks when key is removed. Freewheeling trim.	PED4859 x ^8CV59PT	^8CV59PT
910	-	Electrified trim - fail safe power off, unlocks lever (no cylinder)	PED48910 x ^8CV910PT	^8CV910PT
930	-	Electrified trim - fail secure power off, locks lever (no cylinder)	PED48930 x ^8CV930PT	^8CV930PT

+ If cylinder is required, include cylinder type in order string. See page 51 for details.

*Must specify finish
^Must specify trim

PED4800 Concealed Vertical Rod

PED4000 Series

Trim (For trim details see pages 29-30)



(Auxiliary Control)

Function	ANSI	Description	With Device	Trim Only*
55	11	Key outside unlocks/locks turn P1x pull supplied	PED4850T x PED155	PED155
59	12	Key unlocks turn; turn retracts latch/turn relocks when key is removed	PED4850T x PED159	PED159
910	–	Electrified ET trim - fail safe power off, unlocks lever (no cylinder)	PED48910 x PED159**	PED159**
930	–	Electrified ET trim - fail secure power off, locks lever (no cylinder)	PED48930 x PED159**	PED159**

*Also available with PED155

**Must specify finish



(P12, P13, P14 Pull)

Function	ANSI	Description	With Device	Trim Only*
10	02	No outside operation (no cylinder); Used as pull only	PED4850T x P1x	P1x

*Must specify finish

PED4800 Concealed Vertical Rod

PED4000 Series

Mechanical Options (Quick Codes)

	How to Specify	Detailed Description
Cylinder	LC	Less cylinder
Dogging	M51	Less dogging for non fire-rated devices
	M52	Cylinder lockdown (not available with A, D, M61, M114 options)
Door Type***	AD	Aluminum door
	MD	Metal door
End Cap	M111	Overlap end cap
Fire-rated	A	UL fire label exit hardware (not available with M52, M48 & M114 options)
Indicator	M48	Passive dogging indicator
Less Bottom Rod	M55	Less bottom rod
Photoluminescence	M49	PathLite – photoluminescent coated push rail – (not available with M23 & M24 options)
Rail Force	5CH	5lb. Pressure Release
Security Fasteners	M04	Six lobe security head screws
Tactile Warning	M21	Tactile warning - milled outside lever (not available with Muséo Collection levers)
	M23	Tactile warning - abrasive strip on push rail & abrasive coating on outside lever (not available with M49 option)
	M24	Tactile warning - abrasive strip on push rail (not available with M49 option)
	M25	Tactile warning - abrasive coating on outside lever
Thick Doors	D200	2" doors and/or panels (specify door thickness, panel thickness & location as required)
	D214	2-1/4" doors and/or panels (specify door thickness, panel thickness & location as required)

***Must specify door type

Electrical Options (Quick Codes)

	How to Specify	Detailed Description
Electrical Options	D	Electroguard® self contained delayed egress device (not available with HC, M52, M61, M91, M92, M97, M107 & MELR)
	M61	Alarmed exit (not available with D, GL, HC, M52, M107 & MELR options)
	M91	Latchbolt monitoring switch (not available with D, HC, M107 options)
	M92	Request to exit - signal switch in rail (not available with D option)
	M92 ERM	Double touchbar monitoring
	M93	Monitors PT lever movement with Internal micro switch in PT control
	M97	Electric rail dogging (not available with D & MELR options)
	M114	Electrified exit device with manual hex key dogging (also available with MELR & M97 options)
	MELR	Motorized Electric latch retraction (not available with D, M61 & M97 options)
	WR	Wire harness included when electrified trim is ordered separately (supplied standard with D option)

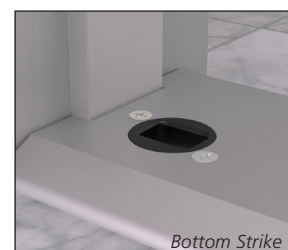
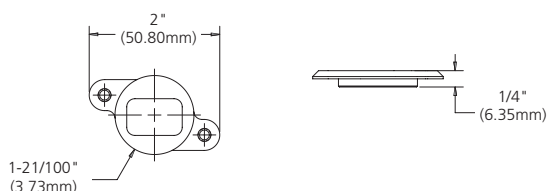
PED4800 Concealed Vertical Rod

PED4000 Series

Standard Strikes

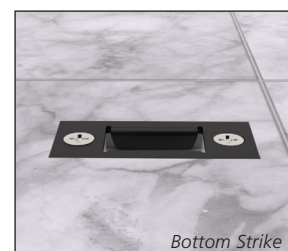
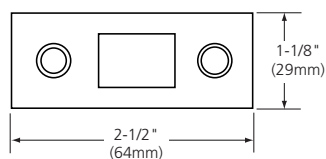
640 Top & Bottom Strike

- Includes one top strike and one bottom strike
- Stainless steel
- Supplied standard for aluminum doors
- Available as an option for metal doors
- Black Nylon Coating
- Machine Screws Supplied
- See template [#MEDT6](#) for more details



652 Top & Bottom Strike

- Includes one top strike and one bottom strike
- Supplied standard for metal doors
- Stainless steel nylon coated
- See template [#MEDT9](#) for more details



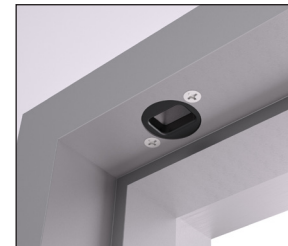
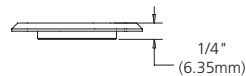
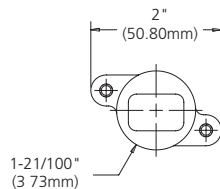
PED4800 Concealed Vertical Rod

PED4000 Series

Optional Strikes

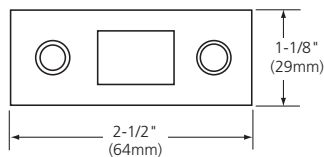
639 Top Strike

- Supplied standard for aluminum doors, less bottom rod
- Stainless steel
- Black Nylon Coating
- Machine Screws Supplied
- See template [#MEDT6](#) for more details



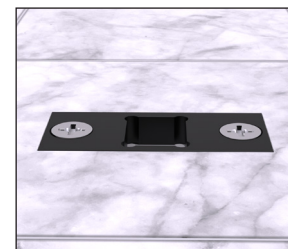
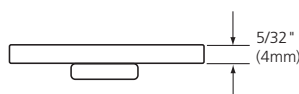
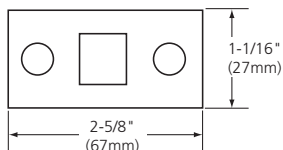
650 Top Strike

- Supplied standard for metal doors, less bottom rod
- Stainless steel nylon coated
- See template [#MEDT9](#) for more details



606 Bottom Strike

- Supplied standard for metal doors
- Available as an option for aluminum doors
- Furnished with expansion shields
- Mortised into floor
- Stainless steel
- See template [#MEDT9](#) for more details



Door Width & Height Options

PED4000 Series

PED4000 Series exit devices are available in door widths that range from 24" to 48", in 1/8" increments. Follow the examples below to specify the proper door width in an order string.

Inches		Fractions	
Code	Measurement	Code	Measurement
W024	24"	1	1/8"
W025	25"	2	1/4"
W026	26"	3	3/8"
W027	27"	4	1/2"
W028	28"	5	5/8"
W029	29"	6	3/4"
W030	30"	7	7/8"
W031	31"		
W032	32"		
W033	33"		
W034	34"		
W035	35"		
W036	36"		
W037	37"		
W038	38"		
W039	39"		
W040	40"		
W041	41"		
W042	42"		
W043	43"		
W044	44"		
W045	45"		
W046	46"		
W047	47"		
W048	48"		

Example

Specify	Door Width	
W026	26"	0"
W0321	32"	1/8"
W0362	36"	1/4"
W0383	38"	3/8"
W0424	42"	1/2"
W0445	44"	5/8"
W0456	45"	3/4"
W0477	47"	7/8"

PED4000 Series exit devices are available in door heights that range from 6' (72") up to 10' (120"), in 1/4" increments. Follow the examples below to specify the proper door height in an order string.

Feet		Inches		Fractions	
Code	Measurement	Code	Measurement	Code	Measurement
H06	6'	00	0"	1	1/4"
H07	7'	01	1"	2	1/2"
H08	8'	02	2"	3	3/4"
H09	9'	03	3"		
H10	10'	04	4"		
		05	5"		
		06	6"		
		07	7"		
		08	8"		
		09	9"		
		10	10"		
		11	11"		
		12	12"		

Example

Specify	Door Height		
H0700	7'	00"	0"
H08061	8'	06"	1/4"
H08092	8'	09"	1/2"
H09003	9'	00"	3/4"
H1000	10'	00"	0"

Device Centerline Options

PED4000 Series

PED5000 Series vertical rod exit devices require the Actual Finished Floor (AFF) measurement in the order string. These devices are available in ranges from 35" up to 48" in 1/4" increments. Follow the examples below to specify the proper device centerline in an order string.

Inches		Fractions	
Code	Measurement	Code	Measurement
AFF035	35"	1	1/8"
AFF036	36"	2	1/4"
AFF037	37"	3	3/8"
AFF038	38"	4	1/2"
AFF039	39"	5	5/8"
AFF040	40"	6	3/4"
AFF041	41"	7	7/8"
AFF042	42"		
AFF043	43"		
AFF044	44"		
AFF045	45"		
AFF046	46"		
AFF047	47"		
AFF048	48"		

Example

Specify	Door Width	
AFF035	35"	0"
AFF0351	35"	1/8"
AFF0362	36"	1/4"
AFF0383	38"	3/8"
AFF0424	42"	1/2"
AFF0445	44"	5/8"
AFF0456	45"	3/4"
AFF0477	47"	7/8"

Rails, Covers & End Caps

PED4000 Series

Rail Sizes

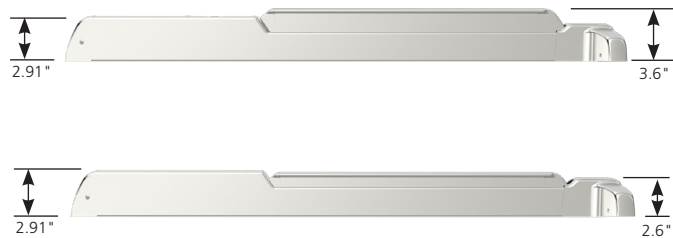
Stock Size	Door Opening Widths	Remarks
W032	24" to 32" (61 cm to 81 cm)	No cutting required for 32" (81 cm) door
W036	32.5" to 36" (84 cm to 91 cm)	No cutting required for 36" (91 cm) door
W042	36.5" to 42" (94 cm to 107 cm)	No cutting required for 42" (107 cm) door
W048	42.5" to 48" (110 cm to 122 cm)	No cutting required for 48" (122 cm) door

Note: Must specify rail length on order string to receive factory cut rail. (ex: W026 - 26" wide door) Available in 1/8" increments. See page 25 for more details.

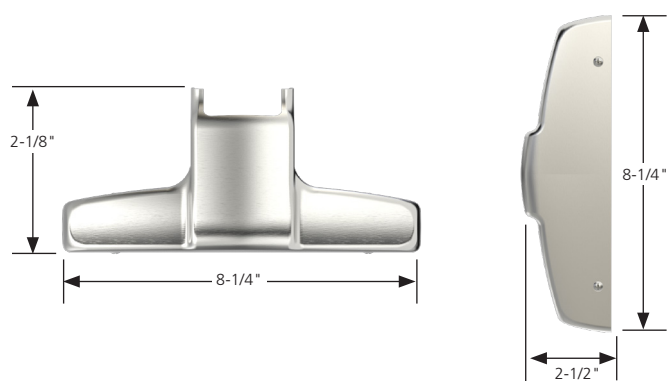
Touchbar Projection



Delayed Egress Touchbar Projection



Cover Dimensions



Flush End Cap



Overlapping End Cap (M111)

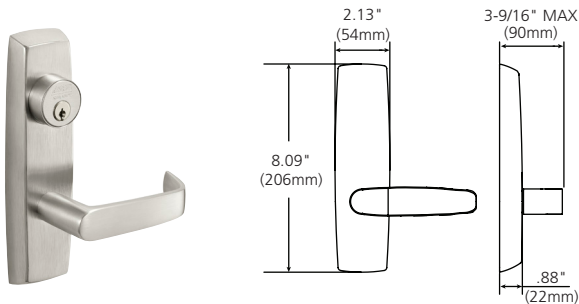


Lever Trim

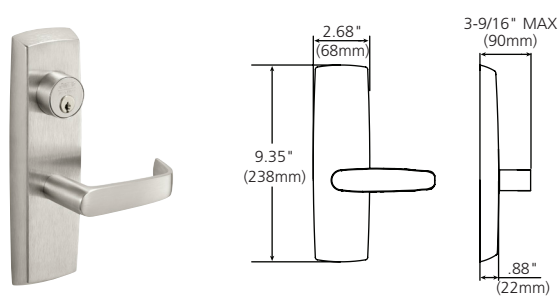
PED4000 Series

Lever Trim

800PT Narrow Stile Lever Trim

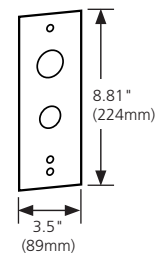
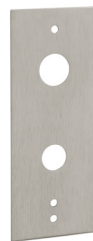


900PT Wide Stile Lever Trim



Cover Plate Trim

- Used with Narrow Stile Lever trim only (800PT).
- Used with narrow or wide lever trim to cover Von Duprin's 98/98 Series trim prep
- Part # 887F49



EcoFlex® Lever Trim

- Provides remote means of locking and unlocking of the lever
- Requires a McKinney QC8 Hinge for EcoFlex PT Trims and/or M93 option
- Voltage: 12VDC or 24VDC Regulated
- Actuator draw = 400mA inrush/15mA continuous @ 12VDC/24VDC
- Operating Temp.: Max. 151°F (66°C), Min -31°F (-35°C)
- Full wave rectification installed inside the PT Control
- UL and cUL listed for use on fire doors
- Field reversible
- Key retracts latch mechanically
- See page 5 for additional details on EcoFlex technology

Notes: Repeated operation at voltage exceeding +/- 10% is not recommended



Miscellaneous Trim

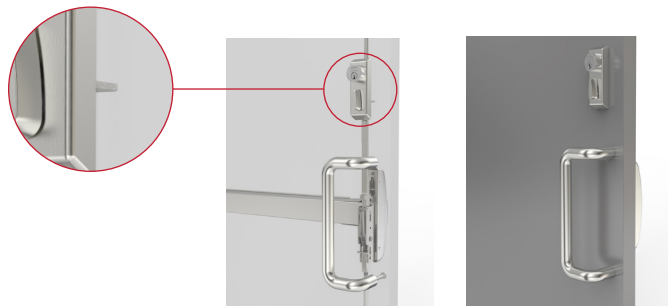
PED4000 Series

Auxiliary Controls

PED100 Series



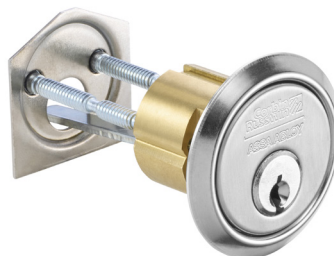
- Concealed vertical rod devices
- Metal doors require unit to be mounted approximately 7-5/16" above chassis centerline (see template [#MEDI7](#) for more details)



Metal

Key Only Trim

- Available as Cylinder Only
- Compatible with Nightlatch function (57) only
- Works with rim (PED5200) and mortise (PED5600) configurations only



Trim and Pulls

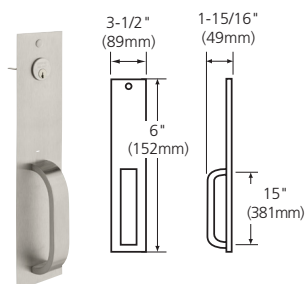
PED4000 Series

Trim and Pulls

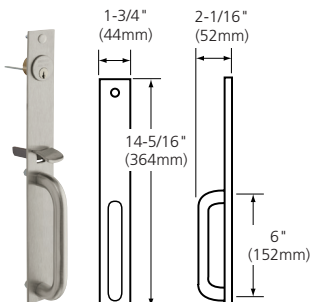


These trims are thrubolted, creating perfect alignment of center case, thumbpiece and cylinder, as required. Thrubolts pass through the chassis of the devices and are bolted directly to the trim. T33, T34, T36, T37 pulls are used with PED4247(A) only, they are identical to T33M, T34M, T36M, T37M pulls except the cylinder hole is located 3/8" (9mm) lower. The T3301 plate is a flat plate which can be used to cover existing door preps and is an ANSI/BHMA function 01. All trim and pulls are ADA compliant, except thumbpiece functions.

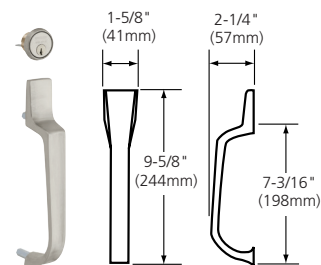
T33



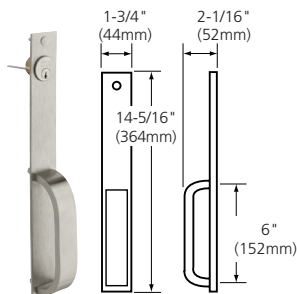
T34



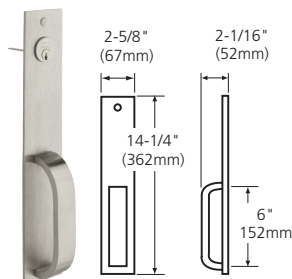
T35



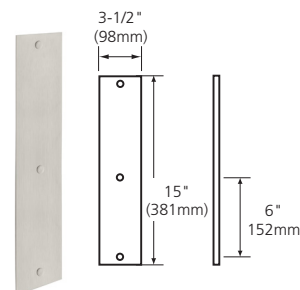
T36



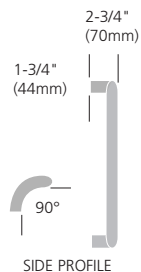
T37



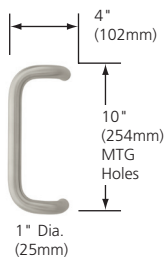
T3301



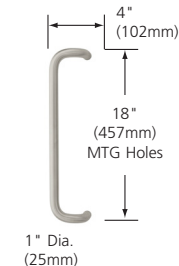
Pulls



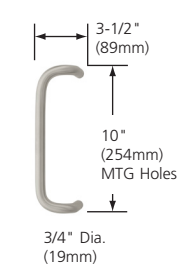
P12



P13



P14



Notes:

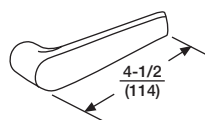
- T34 trim is not available in 629 or 630.
- Pulls and thumb piece trims are not available in 618, 619, 625 or 626, except T34 is available in 618 & 619.

Levers - Standard

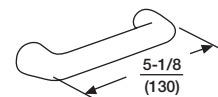
PED4000 Series

Standard Levers

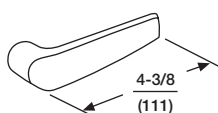
Armstrong (A)



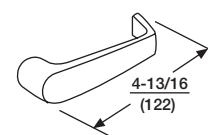
Lustra (L)



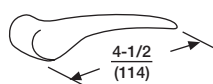
Citation (C)



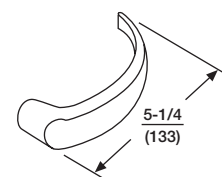
Newport (N)



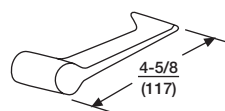
Dirke (D)



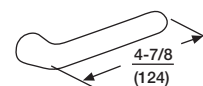
Princeton (P)



Essex (E)



Regis (R)



Note: Tactile warning options (M21, M23, M24, & M25) are available on all standard levers, except the Dirke lever. See page 65 for more details.


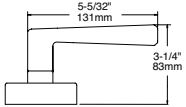

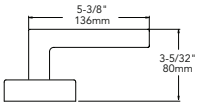

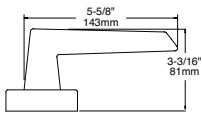

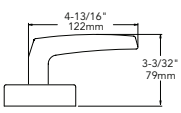

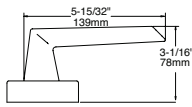

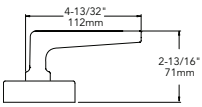

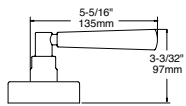

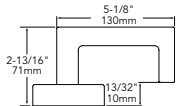

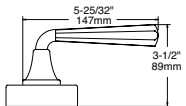

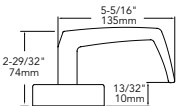
Levers - Decorative

PED4000 Series

Muséo Line Levers

Muséo Line trim is available in a broad array of designs and finishes. It allows for uniformity throughout a facility using cylindrical locks, tubular locks, mortise locks, exit devices, and electronic access control products.

All levers meet ADA compliance for national codes. Visit the online Decorative Hardware Product Selector at selector.corbinrusswin.com to mix and match styles and finishes.

Georges		Georgia			
139			102		
140 (handed)			103		
141			104 ²		
142			124 ¹		
143			125 ¹		

1 Lever returns within 1/2" (13mm) of door face.


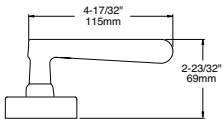

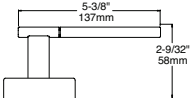

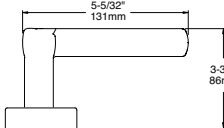

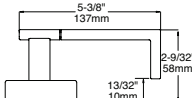

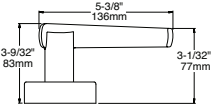

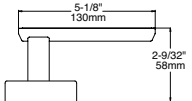

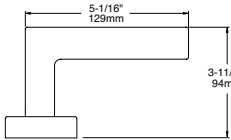

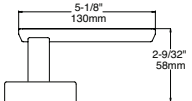

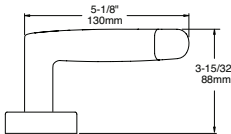

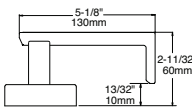

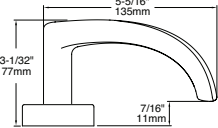

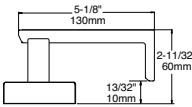

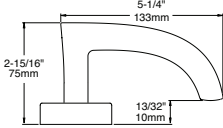

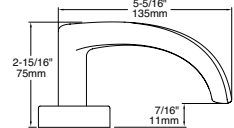
2 Not available in 32 or 32D finish.

Note: Tactile warning options (M23, M24, & M25) are available on all Muséo Collection levers. See page 66 for more details.

Visit the online Decorative Hardware Product Selector at selector.corbinrusswin.com to mix and match styles and finishes.

Levers - Decorative

PED4000 Series

Jackson (Handed Levers)		Josef ²			
111 ⁴			133		
112 ⁴			134		
114 ⁴			135 ³		
115 ⁴			136 ³		
116 ⁴			137 ^{1,3}		
130 ^{1,4}			138 ^{1,3}		
131 ^{1,4}					
132 ^{1,4}					

1 Lever returns within 1/2" (13mm) of door face.

1 Lever returns within 1/2" (13mm) of door face.

2 Not available in 32 or 32D finish.


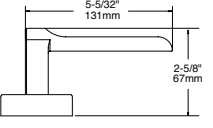

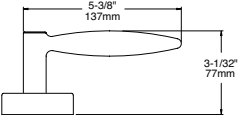

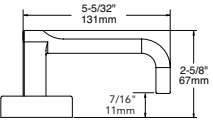

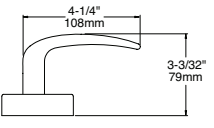

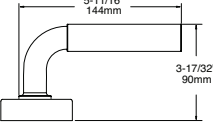

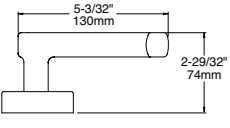

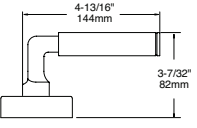

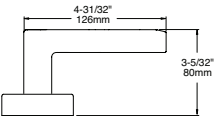

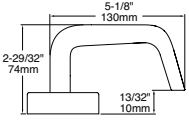

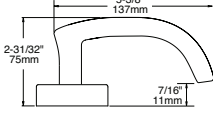
3 135-138 - Contain white or black polycarbonate inserts. Not available with MicroShield® antimicrobial coating.

Note: Tactile warning options (M23, M24, & M25) are available on all Muséo Collection levers. See page 66 for more details.

Visit the online Decorative Hardware Product Selector at selector.corbinrusswin.com to mix and match styles and finishes.

Levers - Decorative

PED4000 Series

Laszlo		Marc (Handed levers)			
147			105 ²		
148 ¹			117 ²		
149			119 ²		
150			121 ²		
			126 ^{1,2}		
			127 ^{1,2}		

1 Lever returns within 1/2" (13mm) of door face.


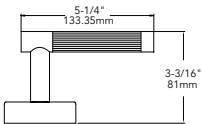

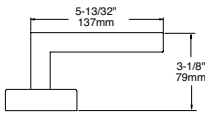

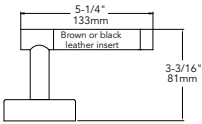

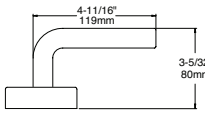

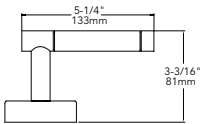

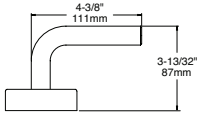

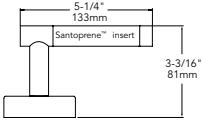

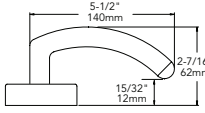

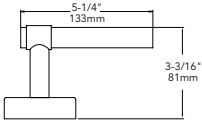

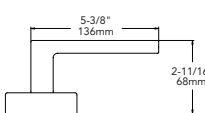

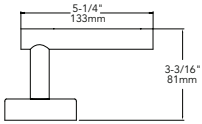

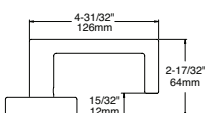

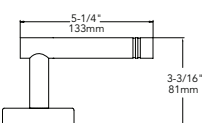

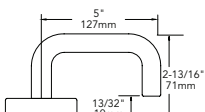
2 Not available in 32 or 32D finish.

Note: Tactile warning options (M23, M24, & M25) are available on all Muséo Collection levers. See page 66 for more details.

Visit the online Decorative Hardware Product Selector at selector.corbinrusswin.com to mix and match styles and finishes.

Levers - Decorative

PED4000 Series

Piet ²		Salvador	
21G	 	106	 
21L	 	107	 
21M	 	108	 
21S	 	109	 
23M	 	110	 
25M	 	123 ¹	 
27M	 	128 ¹	 

1 Lever returns within 1/2" (13mm) of door face.

2 Not available in 32 or 32D finish.

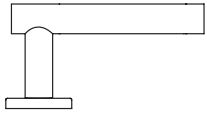
Note: Tactile warning options (M23, M24, & M25) are available on all Muséo Collection levers. See page 66 for more details.

Visit the online Decorative Hardware Product Selector at selector.corbinrusswin.com to mix and match styles and finishes.

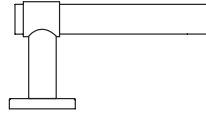
Levers - Decorative

PED4000 Series

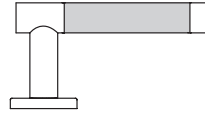
Piet Levers



25M, 27M



23M



21G, 21L, 21M**, 21S

Piet Finish Codes

ANSI/BHMA Finish	Corbin Russwin Finish	Piet Code*	Description
630	630	30	Satin Stainless Steel
629	629	29	Bright Stainless Steel
613E	613E	3E	Dark Oxidized Satin Bronze, Equivalent
N/A	BSP	BS	Black Suede Powder Coat
N/A	WSP	WS	White Suede Powder Coat
N/A	N/A	BK	Black (Santoprene™ or leather insert)
N/A	N/A	BN	Brown (leather insert)

*Code used to specify Piet Series finishes only. Use available finishes list to specify desired finish when ordering.

Piet Lever Descriptions and Available Finishes

Lever Designation	Lever Description	Available Finishes (AS ORDERED)
21G	Grooved Insert	3030, 2929, 2930, 3029, 3E3E, BSBS or WSWWS
21L	Leather Insert	30BK, 30BN, 29BK, 29BN, 3EBK3E, BSBKBS, WSBKWS, 3EBN3E, BSNBNS or WSNBWS
21M	Satin Metal Insert	2930** only (SEE NOTATION)
21S	Santoprene Insert	30BK, 29BK, 3E3E, BSBS or WSWWS
23M	Raised Band	2930, 2929, 3030, 3029, 3E3E, BSBS or WSWWS
25M	Plain	2929, 3030, 3E3E, BSBS or WSWWS
27M	Two Grooves	2929, 3030, 3E3E, BSBS or WSWWS

**Notes for two-tone finishes:

- 2930 Finish: grip of lever is 630, balance of lever is 629. Escutcheon and lock finish will be 618.
- 3029 Finish: grip of lever is 629, balance of lever is 630. Escutcheon and lock finish will be 619.

To order Piet Series levers with Corbin Russwin products, see the examples below. When specifying finish, use the last two digits of the BHMA standard finish code, i.e. use "29" for polished stainless, BHMA finish 629.

Electrical Options

The following primary options are available with these additional compatible options.

A	Fire-rated	D, M61, M91, M92, M92 ERM, M97, MELR
D**	Self Contained Delayed Egress	A
M52	Cylinder Dogging	M91, M92, M92 ERM, M97, MELR
M61*	Alarmed Exit	A, M91, M97
M91	Latch Monitoring	A, M52, M61, M92, M92 ERM, M97, MELR
WM91	Weatherized Latchbolt Monitoring	WM92, WM92-ERM, WM9, WH
M92	Request to Exit	A, M52, M91, M97, MELR
WM92	Weatherized Request to Exit	WM91, WM93, WH
M92 ERM	Double Touchbar Monitoring	A, M52, M91, M97, MELR
WM92 ERM	Double Weatherized Touchbar Monitoring	WM91, WM92, WH
M93	Lever Monitoring	A, D, M52, M61, M91, ,92, M92 ERM, M97, MELR
WM93	Weather Resistant Monitors PT lever movement with Internal micro switch in PT control	WM91, WM92, WM92-ERM, WH
M97	Electric Dogging	A, M52, M61, M91, M92, M92 ERM, M114
M114	Hex Key Dogging	M97, MELR
MELR	Electric Latch Retraction	A, M52, M91, M92, M92 ERM, M114, MELR
WH	Weep Holes	WM91, WM92, WM92-ERM, WM93, WH

* The M61 design includes monitored push rail

** The D design includes monitored push rail and latch

M61 Alarm Option



Corbin Russwin exit devices with the alarm option are designed for areas requiring a stand-alone alarm on outward swinging doors. This device contains an internal battery and the alarm is integrated in the push rail to discourage the unauthorized use of emergency exit doors. The alarm inside the rail sounds immediately upon exit. The PED5000 Series is ideal for rear exterior doors, doors leading to a rooftop, or anywhere security is a concern.

Minimum door widths:

- Wide stile door 32"
- Narrow stile door 31"

Electrical Options (cont.)

PED4000 Series

Weather Resistant

Weather Resistant Rim Exit Devices is available with switches option. Designed to withstand environmental elements for doors or gates used in outdoors or in moist environments that require switch monitoring

In addition to standard BHMA and UL testing, these Weather Resistant switch options were tested to the following standards to Mil 810F(G), 509.4 - Salt Fog, Mil 810F(G), 506.4 - Driving Rain Procedure 1, UL 1034 Temperature Section 34. and UL 1034 Dust Section 54.

Switch options available:

- WM91 Weather Resistant Latchbolt Monitoring
- WM92 Weather Resistant Request to Exit
- WM92-ERM Double Weather Resistant touchbar Monitoring
- WM93 Weather Resistant Monitors PT lever movement with Internal micro switch in PT control

Available finishes:

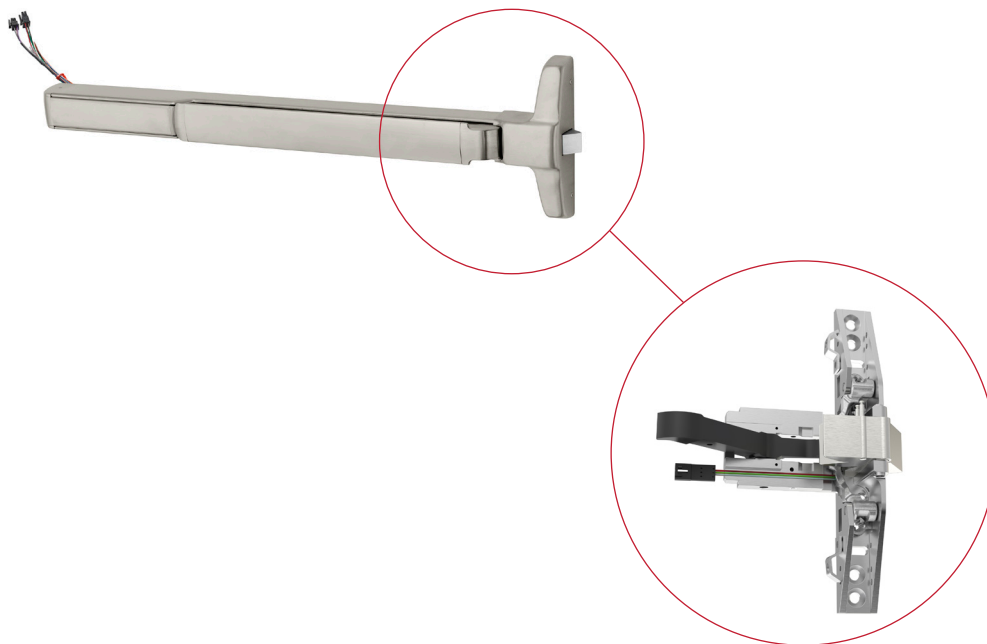
- 605, 606, 611, 612, BSP, 613E, 613L and WSP.
- For 626 and 630 Weather Resistant finishes must be order as 626LF and 630LF Clear Lacquer Finish.

Available with all mechanical options and new Weep Holes (WH-) option specific for weather resistant switches.

How To Order:

PED4201 WH W92 630LF W036

M91 Latch Bolt Monitoring



The latchbolt monitoring option detects when the latch is moved, not just rail movement sensing. The monitor switch is activated when the rail is depressed or when there is movement of the latch and can be used to send a notification to the building's security system.

- Switch type SPDT form "C" contacts
- 30VDC@2 Amp. maximum rating
- Wires are routed thru the rail (See page 4 for more details)
- Available for all door widths
- Adjustable switch bracket to fine tune sensitivity: set screw pivot bracket allows precise adjustment for more accurate notification of latchbolt movement (PED4200 Series only)
- See McKINNEY's Transfer Device Solutions Catalog for QC Hinge and cable requirements

Electrical Options (cont.)

PED4000 Series

M92 Request to Exit



The Request-to-Exit option provides includes a signal switch to monitor if push rail is depressed. The switch can be used to activate a variety of features, such as sound and alarm, initialize a delay egress system, or de-energize an electromagnetic lock.

Switch type SPDT form "C" contact

- 30 VDC@2 Amp. maximum rating
- All wires run through rail
- Available with all PE Series devices
- See page 37 for compatible options

Minimum Door Widths:

- Wide Stile Door 24"
- Narrow Stile door 24"

See McKINNEY Transfer Device Solutions Catalog for QC Hinge and cable requirements.

M92 ERM Double Touchbar Monitoring



The Double Touchbar Monitoring option provides two independent switches to monitor if push rail is depressed. This option can be used when integration to security and/or access control system requires separate switches.

Switch type SPDT form "C" contact

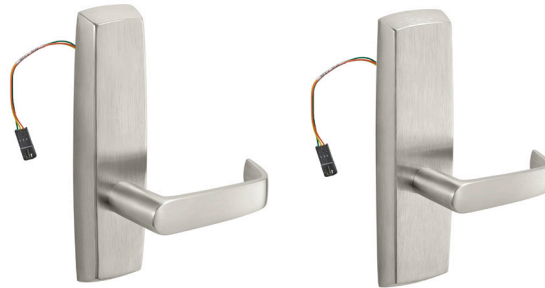
- 30 VDC@2 Amp. maximum rating
- All wires run through rail
- Available with all PE Series devices
- See page 37 for compatible options

Minimum Door Widths:

- Wide Stile Door 24"
- Narrow Stile door 24"

See McKINNEY Transfer Device Solutions Catalog for QC Hinge and cable requirements.

M93 Lever Monitoring



The lever monitoring option identifies when the lever is rotated. When this happens, the monitor switch is activated and can be used to send a notification to the building's security system.

- Available with Wide or Narrow stile trim
- Requires x800PT/x900PT trim with these functions 10, 45, 49, 903, 905, 910, and 930
- Requires a McKinney QC8 Hinge for M93
- Wires are routed thru the rail (See page 4 for more details)
- Switch type SPDT form "C" contacts
- 30VDC @ 2 Amp. maximum rating
- Monitors lever rotation, can be incorporated into alarm systems or in conjunction with an electromagnet
- Not available with Freewheeling Trim

Electrical Options (cont.)

PED4000 Series

M97 Electric Dogging



Libraries, auditoriums, theaters, courtrooms, churches and schools benefit from the convenience of electric dogging (unlocking). When the exit device is energized and the push rail is depressed, it will continuously hold the push rail down and the latch(es) will be held retracted.

When the device is de-energized or power is interrupted, the latch(es) will extend. This feature is ideal for areas that require the silent operation of exit device hardware.

Features

- Wires are routed thru the rail (See page 4 for more details)
- Provides quiet ingress and egress when dogged
- Standard electric hinge - no special power transfer required
- Manual hex key dogging provided on non-fire-rated devices
- UL Listed for Panic and Fire (A)
- Holding force 70 lbs. min.
- Power Requirements: 24VDC regulated/filtered power supply
- Current draw: 0.2 Amp
- Available for all door widths
- See McKinney's Transfer Device Solutions Catalog for QC Hinge and cable requirements

Optional Accessory

- BPS Power Supply (see page 59)

Electrical Options (cont.)

PED4000 Series

MELR Electric Latch Retraction



The Electric Latch Retraction exit device option (MELR) is the perfect choice for high traffic entrance and exit doors that require remote unlocking or remote dogging. It utilizes a latch retraction motor ensuring quiet operation which is ideal for locations such as conference rooms, theaters and libraries. Once retracted, the door functions in a push/pull manner. The MELR allows the exit device to be dogged for momentary ingress and egress and is commonly used in conjunction with an automatic door operator. The device can even be dogged continuously on fire-rated devices that are tied into the building's fire detection system.

Key Features

- 5 year warranty
- Field serviceable -modular design
- Motor driven latch retraction for smooth, precise operation
- Amount of rail retraction is automatically controlled by the MELR circuitry; System actively monitors its position and adjusts itself
- Digital retraction timer (0-20 seconds; factory setting is 5 seconds)
- Non-contact Request-to-Exit (M92) switch available
- Standard electric hinge - no special power transfer required
- Wires are routed thru the rail (See page 4 for more details)
- Can be used for continuous and intermittent use
- UL Listed for Class II Circuitry
- Current draw: .65A during retraction and .2A maintained in dogged hold position
- Requires 1A at 24VDC regulated/filtered power supply
- Minimum Door Widths:
 - Wide Stile Door 28"
 - Narrow Stile Door 28"
- See McKINNEY's Transfer Device Solutions Catalog for QC Hinge and cable requirements

Note: M114 and M52 are not available for Fire Rated Doors

Note: The MELR option is not supplied with Manual Dogging (Hex Key or Cylinder Dogging) unless specified

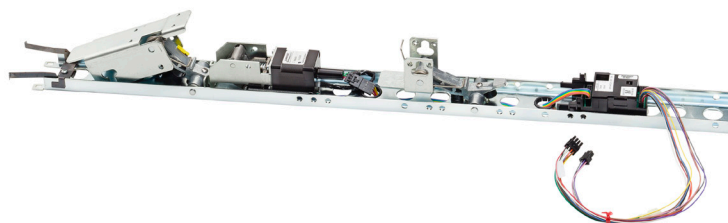
P56 Electric Latch Retraction Retrofit Kit

- Available for E, F, G and J rail sizes.
- Minimum Door Widths:
 - Wide Stile Door 28"
 - Narrow Stile Door 28"
- Available with M91, M92, M92 ERM, M93 AND 5CH options

How to order:

Kit #	Rail Size	Stile	Options
PMELR-	36	N	M92

Kit Includes: Carrier Assembly (includes motor assembly and controller) and dogging slope plug for hex key devices



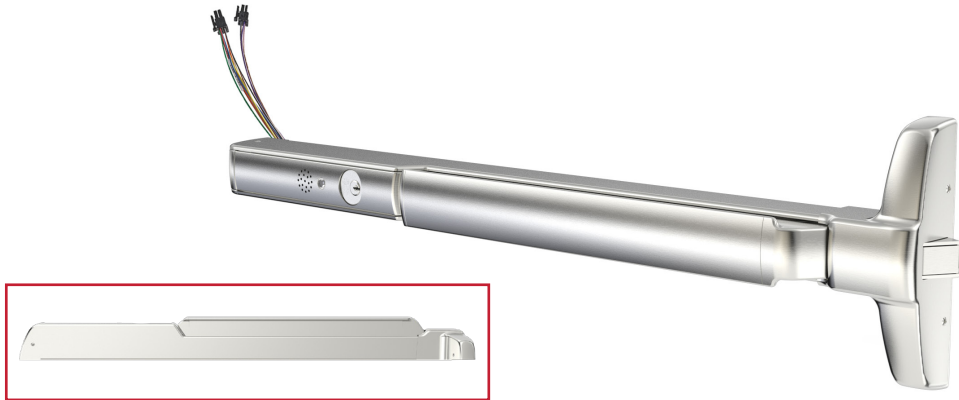
Optional Accessory

- BPS Power Supply (see page 62)

Electrical Options (cont.)

PED4000 Series

D Self Contained Delayed Egress



The Delayed Egress option sounds an alarm within the rail when the exit device push pad is pressed down, in order to alert personnel that someone is attempting to exit. The exit device is preset to remain locked for 15 seconds (field adjustable to 5, 10, 20 or 40 seconds), allowing time for authorized personnel to respond. This can be done by inserting a key into the cylinder on the rail or via a remote location. When the connected fire alarm system is activated, the exit device disarms and allows immediate egress.

Specifications

- Rod guards must be used on surface vertical rod devices. Consult factory for more information
- Not available with hex key dogging
- Provided less cylinder unless specified
- Field adjustable momentary time delay preset for five seconds at factory
- 80DB horn enclosed in rail assembly
- Uses standard electric hinge - no special power transfer required
- Wires are routed thru the rail (See page 4 for more details)
- Guarded and monitored latch and rail standard
- Power requirements: 1A @ 24VDC regulated/filtered power supply
- Key override capabilities
- Rail projects 1/2" more than standard rail (see page 27)
- Current draw: 0.3 Amp Nominal, 0.9 Amp (max) with optional features
- Minimum door widths:
 - Wide stile door 31"
 - Narrow stile door 29"
- Ability to gang up to 12 doors
- Shipped with decal "emergency exit only. Push until alarm sounds. Door can be opened in 15 seconds"
- See MCKINNEY'S transfer device solutions catalog for QC hinge and cable requirements

Installation and maintenance

- Diagnostic LEDs on PC board for easy troubleshooting

Optional Accessory

- BPS Power Supply (see page 62)

Compliance

- Conforms to NFPA 101 special locking arrangements
- Available in UL listed panic and fire-rated (A option) devices
- UL294 listed for special locking arrangements
- ULC S533 listed for egress door securing and releasing devices

Operation

- Depressing the push rail for one second or longer initiates an alarm
- LED visual notification system for easy identification of armed device; LED lights are field selectable as red or green
- Momentary or maintained egress with key or from a remote location
- Alarm disabled by key in the rail or by remote reset
- Alarm sounds for 15 seconds during unauthorized egress attempt; after 15 seconds lock releases. 5, 10, 20 or 40 second option available.
- Field adjustable nuisance delay (0 or 1 second)
- External inhibit features with authorized egress, card reader access and scheduled delayed egress from access control panel

Mechanical Options

PED4000 Series

Certifications	A	Fire Rated
Cylinder	LC	Less Cylinder
Dogging	M52	Cylinder Dogging
	M51	Less Dogging
Door Type	AD	Aluminum Doors
	MD	Metal Doors
	D200	2" doors and/or panels (specify door thickness, panel thickness & location as required)
	D214	2-1/4" doors and/or panels (specify door thickness, panel thickness & location as required)
End Cap	M111	Overlap End Cap
Fasteners	M04	Security Fasteners
	M54	Thrubolts
Finishes	C	MicroShield
Indicator	M48	Passive Dogging Indicator
	M47	Trim Status Indicator
Latching	GL	Guarded Latch
Luminescence	M49	Photoluminescent
Rail Force	5CH	5lb Pressure Release
Tactile Warning	M21	Tactile Warning - Milled Outside Lever
	M23	Tactile Warning - Abrasive Strip on Rail
	M24	Tactile Warning - Abrasive Coating on Outside Lever
	M25	Tactile Warning - Abrasive Strip on Rail & Abrasive Coating on Outside Lever

Mechanical Options (cont.)

PED4000 Series

M48 Passive Dogging Indicator

- Unlocked green padlock icon displayed when pushpad is in dogged position
- Indicates dogging status in a subtle way
- Visible from a distance
- Not available with Fire rated devices



Mechanical Options (cont.)

PED4000 Series

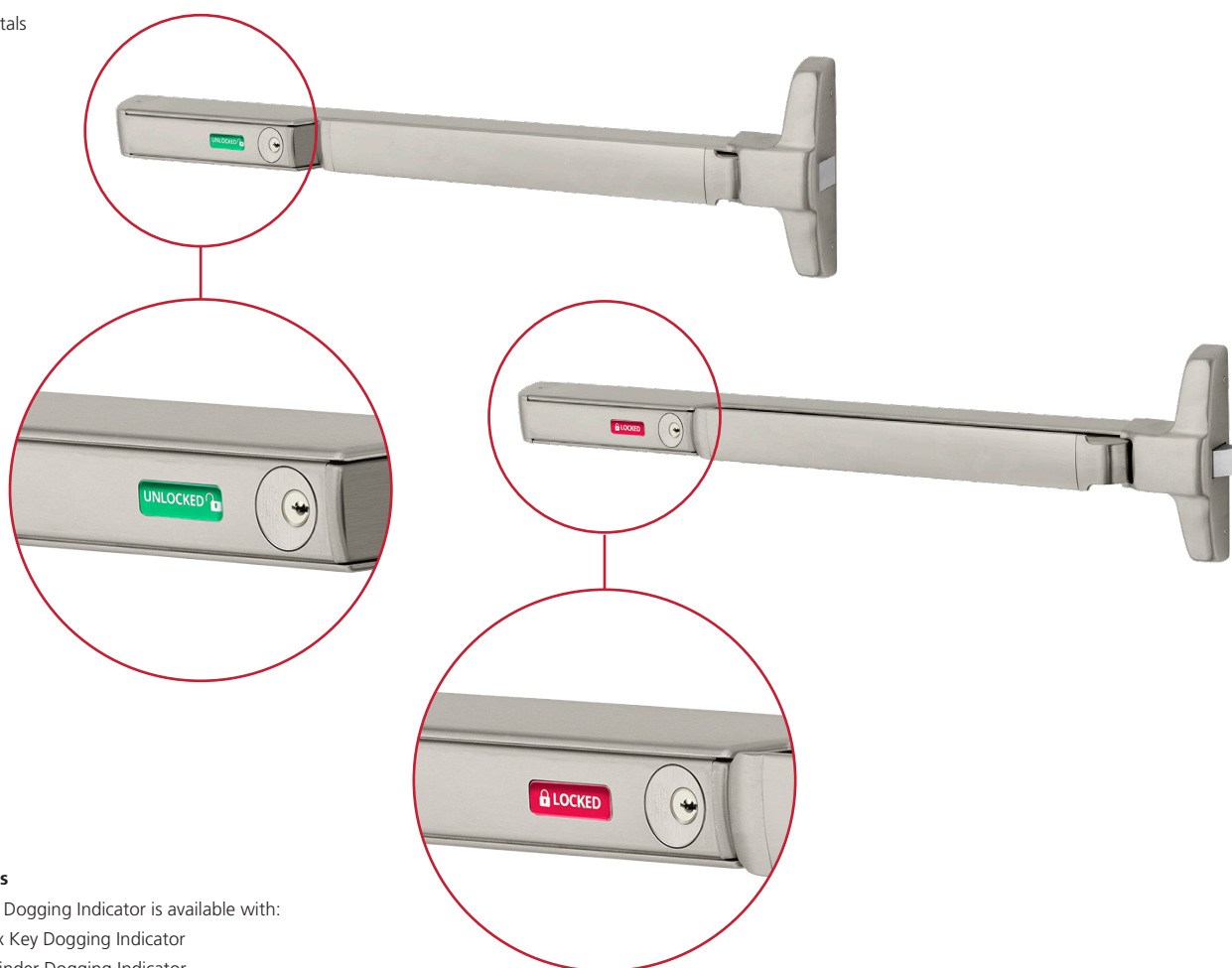
Active Dogging Indicator

The Active Dogging Indicator enables facility managers to check door status from within the room, reducing the time needed to confirm the security of each door through easily visible visual confirmation.

Additionally, there is a Thumbturn cylinder option for simplified door locking during stressful situations, accompanied by an Engraving Option that includes a "Lock" symbol with a directional arrow, specifically designed for high-occupancy areas.

Applications

- Auditoriums
- Cafeterias
- Gymnasiums
- Hospitals



Features

- Active Dogging Indicator is available with:
 - Hex Key Dogging Indicator
 - Cylinder Dogging Indicator
 - Thumb turn Indicator
- Larger viewing window
- Highly reflective coating indicator to increase visibility in low-light conditions
- Uses mortise cylinder for Cylinder Dogging











Functions

- Available to standard rail functions for Wide Stile PED5200, PED5400, PED5600 and PED5800 exit devices.
- Available with Electrical Options M91, M92, M93 and M92 ERM.
- Not available with A, MELR, D, M97, M61, M23, M24 and M25.

Mechanical Options (cont.)

PED4000 Series

Indicator Option Codes

Active Dogging Indicator Option Codes		
Option	Description	
V01	Single Indicator Inside - Unlocked/Locked - Green/Red	 
V03	Single Indicator Inside - Icons Only - Green/Red	 
V04	Single Indicator Inside - Unlocked/Locked - White/Red	 
V06	Single Indicator Inside - Icons Only - White/Red	 
EMB	Inside Engraving with "Lock" and Directional Arrow	
French Indicator Option Codes		
V01F	Single Indicator Inside – Ouvert/Fermé – Green/Red	 

Engraving Options

Engraving is available as EMD option code for all functions when ordered with Active Dogging Indicator Exit Devices.

- Laser engraving with "LOCK" and directional arrow
- Only available in the following finishes: 605, 606, 629 and 630
- Door handing must be specified

How to order examples

Device with Trim

Device Type	Function	Options	Trim	Finish-Outside	Hand	Optional Strike	Finish-Inside	Door Width
PED42	47	V01 (Hex Key Dogging) ¹	A947PT	626	RHR	644	630	W036
		V01 M52 (Cylinder Dogging) ^{1,2,3,4}						
		V01 M52 (Thumb Turn Dogging) ^{1,2,4,5}						

Device Only

Device Type	Function	Options	Hand	Optional Strike	Finish	Door Width
PED42	47	V01 (Hex Key Dogging) ¹	RHR	644	630	W036
		V01 M52 (Cylinder Dogging) ^{1,2,3,4}				
		V01 M52 (Thumb Turn Dogging) ^{1,2,4,5}				

1 Handing must be specified

2 Must be ordered with M52 - Cylinder Dogging

3 Must use with CR1000 cylinder. Example CR1000-118-A07-630. Order and shipped separately. Reference to cylinder catalog.

4 Available with 118, 114 and 138, mortise cylinder lengths

5 Must order CR1300 thumb turn. Example CR1300-118-A07-630. Order and shipped separately. Reference to cylinder catalog

Mechanical Options (cont.)

PED4000 Series

M49 Photoluminescence

PathLite – photoluminescent push is a non-electrical option which provides visibility in darkness or low light areas.

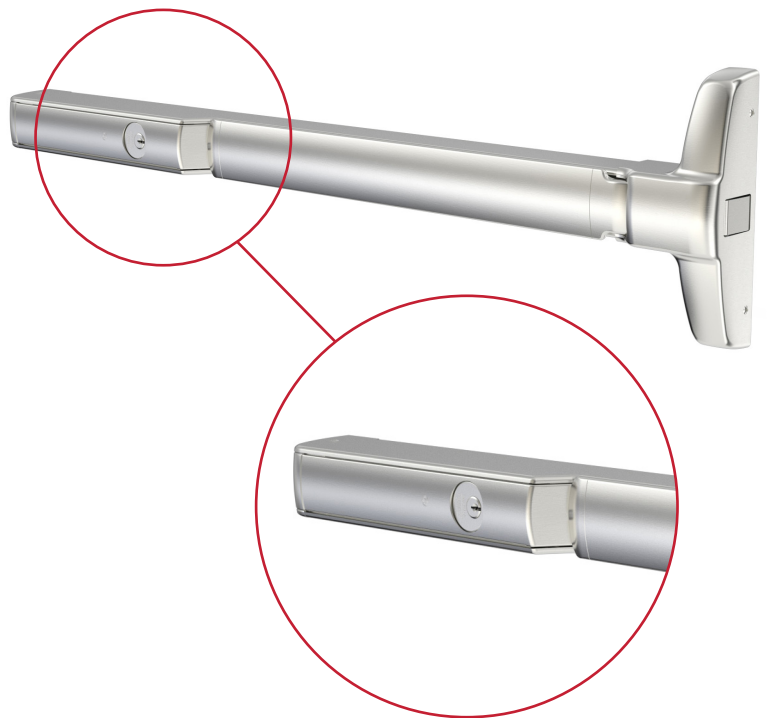
- Approved for use in New York City in accordance with RS 6-1 and RS 6-1A
- Recharges from ambient light
- No wiring or maintenance needed
- Available for all door widths



M52 Cylinder Dogging

Located in the rail insert, cylinder locks the rail in retracted position.

- CR1000 mortise cylinder required. Must be specified with order.
- Requires a 27" minimum door width
- Not available with Fire-rated, D and M61



Mechanical Options (cont.)

PED4000 Series

Thrubolt (M54) Applications

- Used on rail and chassis
- Used on case and guides (if applicable)

Device	Location	Qty.	Door Thickness	
			1-3/4"	2-1/4"
PED4200 PED4600	Rail & Chassis	4	870F34	871F35

PED4200



PED4600



Cylinder Options

PED4000 Series

Cylinder and Keying

Description	Specify
Conventional 6-pin	6P
Conventional 7-pin	7P
LFIC	
LFIC 6-pin	C6
LFIC 6-pin less core	CL6
IC 6-pin w/ temporary construction core	CT6
LFIC 6-pin with temporary construction core (Red)	CT6R
LFIC 6-pin with temporary construction core (Blue)	CT6B
LFIC 6-pin with temporary construction core (Green)	CT6G
LFIC 6-pin with temporary disposable core	CT6D
LFIC 7-pin	C7
LFIC 7-pin less core	CL7
IC 7-pin w/ temporary construction core	CT7
LFIC 7-pin with temporary construction core (Red)	CT7R
LFIC 7-pin with temporary construction core (Blue)	CT7B
LFIC 7-pin with temporary construction core (Green)	CT7G
LFIC 7-pin with temporary disposable core	CT7D
SFIC	
SFIC 6-pin	C6S
SFIC 6-pin with temporary construction core (Blue)	CT6SB
SFIC 6-pin with Less Core	CLS6
SFIC 6-pin with SFIC disposable temporary core	CT6SD
SFIC 7-pin	C7S
SFIC 7-pin with temporary construction core (Blue)	CT7SB
SFIC 7-pin with Less Core	CLS7
SFIC 7-pin with SFIC disposable temporary core	CT7SD
Security	
Security	HS
Security IC	CHS
Access 3®	
Access 3® - Patented	AP
Access 3® - Security	AS
Access 3® - High Security	AHS
Access 3® IC - Patented	ACP
Access 3® IC - Security	ACS
Access 3® IC- High Security	ACHS
Pyramid	
Pyramid Security fixed core	PS
Pyramid Security IC	PCS
Pyramid High Security fixed core	PHS
Pyramid High Security IC	PCHS
Pyramid IC with temporary construction core	CTP
Pyramid IC with temporary disposable core	CTPD
Pyramid IC less core	CLP

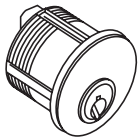
Description	Specify
UL Housing	
UL IC 6-pin housing less core	CL6AH
UL IC 6-pin housing w/ disposable core	CTAHD
UL IC 6-pin w/ temporary construction core (red)	CT6AHR
UL IC 6-pin w/ temporary construction core (blue)	CT6AHB
UL IC 6-pin w/ temporary construction core (green)	CT6AHG
Keying and Keys	
0-bitted with 2 blank keys	(standard)
Keyed random	KR
Construction master keyed	CMK
2 keys per lock	(standard)
More than 2 keys	KY# (e.g., KY6)
Visual key control (VKC)	
No keying data stamped on key or cylinder	VKC0
Keys only	VKC1
Cylinders and keys (not for HS, CHS, PHS or PCHS)	VKC2
Cylinders only (not for HS, CHS, PHS or PCHS)	VKC3
Concealed key control (CKC)	
CKC cylinders with VKC keys	CKC2
CKC cylinders only (not for HS, CHS, PHS or PCHS)	CKC3

Cylinder Options (cont.)

PED4000 Series

CR800PT/CR900PT Series Lever Trim

Mortise cylinders



Description	Quick Code	800PT, 900PT, 8M00PT, 9M00PT, 8CV00PT, 9CV00PT	8M00PT, 9M00PT	
		45, 49, 55, 59 Functions (Requires Cylinder Collars)	47, 57, 903, 905 Functions	
			All Door Thicknesses	Door Thickness
			1-3/4" - 2"	2-1/4"
6 Pin Cylinder Assembly	6P	1000-118-A07	1000-134-A07	1000-200-A07
7 Pin Cylinder Assembly	7P	1000-114-A07-7	1000-134-A07-7	1000-200-A07-7
IC 6-Pin	C6	1080-114-A07	1080-134-A07	1080-200-A07
IC 6pin Less Core	CL6	1070-114-A07	1070-134-A07	1070-200-A07
IC 6-pin w/ temporary construction core	CT6	1080-114-A07 X CT6	1080-134-A07 X CT6	1080-200-A07 X CT6
IC 6-Pin w/Red Const Core	CT6R	1080-114-A07 X CT6R	1080-134-A07 X CT6R	1080-200-A07 X CT6R
IC 6-Pin w/Blue Const Core	CT6B	1080-114-A07 X CT6B	1080-134-A07 X CT6B	1080-200-A07 X CT6B
IC 6-Pin w/Green Const Core	CT6G	1080-114-A07 X CT6G	1080-134-A07 X CT6G	1080-200-A07 X CT6G
IC 6-Pin (Disposable Core)	CT6D	1080-114-A07 X CL6D	1080-134-A07 X CL6D	1080-200-A07 X CL6D
IC 7-Pin	C7	1080-114-A07-7	1080-134-A07-7	1080-200-A07-7
IC 7-Pin Less Core	CL7	1070-138-A07-7	1070-134-A07-7	1070-200-A07-7
IC 7-pin w/ temporary construction core	CT7	1080-138-A07-7 X CT7	1080-134-A07-7 X CT7	1080-200-A07-7 X CT7
IC 7-Pin w/Red Const Core	CT7R	1080-138-A07-7 X CT7R	1080-134-A07-7 X CT7R	1080-200-A07-7 X CT7R
IC 7-Pin w/Blue Const Core	CT7B	1080-138-A07-7 X CT7B	1080-134-A07-7 X CT7B	1080-200-A07-7 X CT7B
IC 7-Pin w/Green Const Core	CT7G	1080-138-A07-7 X CT7G	1080-134-A07-7 X CT7G	1080-200-A07-7 X CT7G
IC 7-Pin (Disposable Core)	CT7D	1080-138-A07-7 X CT7D	1080-134-A07-7 X CT7D	1080-200-A07-7 X CT7D
SFIC 6-PIN	C6S	1050-114-A07	1050-134-A07	1050-200-A07
SFIC 6-Pin w/ Blue Construction Core	CT6SB	1050-114-A07 X CT6SB	1050-134-A07 X CT6SB	1050-200-A07 X CT6SB
SFIC 6-Pin Less Core	CLS6	1040-114-A07	1040-134-A07	1040-200-A07
IC 6-Pin w/SFIC Disposable Core	CT6SD	1050-114-A07 X CT6SD	1050-134-A07 X CT6SD	1050-200-A07 X CT6SD
SFIC 7-Pin	C7S	1050-138-A07-7	1050-134-A07-7	1050-200-A07-7
SFIC 7-Pin w/ Blue Construction Core	CT7SB	1050-138-A07-7 X CL7SB	1050-134-A07-7 X CL7SB	1050-200-A07-7 X CL7SB
SFIC 7-Pin Less Core	CLS7	1040-138-A07-7	1040-134-A07-7	1040-200-A07-7
IC 7-Pin w/SFIC Disposable Core	CT7SD	1050-138-A07-7 X CL7SD	1050-134-A07-7 X CL7SD	1050-200-A07-7 X CL7SD
Security	HS	1010-114-A07	1010-134-A07	1010-200-A07
Security IC	CHS	1090-114-A07	1090-134-A07	1090-200-A07
Access 3 [®] Patented	AP	1500-114-A07	1500-134-A07	1500-200-A07
Access 3 [®] Security	AS	1600-114-A07	1600-134-A07	1600-200-A07
Access 3 [®] High Security	AHS	1700-114-A07	1700-134-A07	1700-200-A07
Access 3 [®] IC Patented	ACP	1580-114-A07	1580-134-A07	1580-200-A07
Access 3 [®] IC Security	ACS	1680-114-A07	1680-134-A07	1680-200-A07
Access 3 [®] IC High Security	ACHS	1788-114-A07	1788-134-A07	1788-200-A07
Pyramid Security	PS	1027-114-A07	1027-134-A07	1027-200-A07
Pyramid Security IC	PCS	1037-114-A07	1037-134-A07	1037-200-A07
Pyramid High Security	PHS	1020-114-A07	1020-134-A07	1020-200-A07
Pyramid High Security IC	PCHS	1030-114-A07	1030-134-A07	1030-200-A07
Pyramid IC (Constr. Core)	CTP	1080-114-A07 X CTP	1080-134-A07 X CTP	1080-200-A07 X CTP
Pyramid IC (Disposable Core)	CTPD	1080-114-A07 X CTPD	1080-134-A07 X CTPD	1080-200-A07 X CTPD
Pyramid IC Less Core	CLP	1070-114-A07	1070-134-A07	1070-200-A07
UL IC 6-pin housing less core*	CL6AH	1078-114-A07	1078-134-A07	1078-200-A07

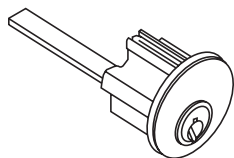
*Cylinder cores for UL IC purchased separately
Note: See page 56 for cylinder collar sizes

Cylinder Options (cont.)

PED4000 Series

CR800PT/CR900PT Series Lever Trim

Rim cylinders



Description	Quick Code	8M00PT, 9M00PT	
		47, 57, 903, 905 Functions	
		Door Thickness	
		1-3/4"	2 - 2-1/4"
6 Pin Cylinder Assembly	6P	3000-200	3000-312
7 Pin Cylinder Assembly	7P	3000-200-7	3000-312-7
IC 6-Pin	C6	3080-178	3080-318
IC 6pin Less Core	CL6	3070-178	3070-318
IC 6-pin w/ temporary construction core	CT6	3080-178 X CT6	3080-318 X CT6
IC 6-Pin w/Red Const Core	CT6R	3080-178 X CT6R	3080-318 X CT6R
IC 6-Pin w/Blue Const Core	CT6B	3080-178 X CT6B	3080-318 X CT6B
IC 6-Pin w/Green Const Core	CT6G	3080-178 X CT6G	3080-318 X CT6G
IC 6-Pin (Disposable Core)	CT6D	3080-178 X CT6D	3080-318 X CT6D
IC 7-Pin	C7	3080-178-7	3080-318-7
IC 7-Pin Less Core	CL7	3070-178-7	3070-318-7
IC 7-Pin W/ TEMPORARY CONSTRUCTION CORE	CT7	3080-178-7 X CT7	3080-318-7 X CT7
IC 7-Pin w/Red Const Core	CT7R	3080-178-7 X CT7R	3080-318-7 X CT7R
IC 7-Pin w/Blue Const Core	CT7B	3080-178-7 X CT7B	3080-318-7 X CT7B
IC 7-Pin w/Green Const Core	CT7G	3080-178-7 X CT7G	3080-318-7 X CT7G
IC 7-Pin (Disposable Core)	CT7D	3080-178-7 X CT7D	3080-318-7 X CT7D
SFIC 6-PIN	C6S	3050-178	3050-318
SFIC 6-Pin w/ Blue Construction Core	CT6SB	3050-178 X CT6SB	3050-318 X CT6SB
SFIC 6-Pin Less Core	CLS6	3040-178	3040-318
IC 6-Pin w/SFIC Disposable Core	CT6SD	3050-178 X CT6SD	3050-318 X CT6SD
SFIC 7-Pin	C7S	3050-178-7	3050-318-7
SFIC 7-Pin w/ Blue Construction Core	CT7SB	3050-178-7 X CT7SB	3050-318-7 X CT7SB
SFIC 7-Pin Less Core	CLS7	3040-178-7	3040-318-7
IC 7-Pin w/SFIC Disposable Core	CT7SD	3050-178-7 X CT7SD	3050-318-7 X CT7SD
Security	HS	3010-200	3010-312
Security IC	CHS	3090-178	3090-318
Access 3 [®] Patented	AP	3500-200	3500-312
Access 3 [®] Security	AS	3600-200	3600-312
Access 3 [®] High Security	AHS	3700-200	3700-312
Access 3 [®] IC Patented	ACP	3580-178	3580-318
Access 3 [®] IC Security	ACS	3680-178	3680-318
Access 3 [®] IC High Security	ACHS	3788-178	3788-318
Pyramid Security	PS	3027-200	3027-312
Pyramid Security IC	PCS	3037-178	3037-312
Pyramid High Security	PHS	3020-200	3020-312
Pyramid High Security IC	PCHS	3030-178	3030-312
Pyramid IC (Constr. Core)	CTP	3080-178 X CTP	3080-318 X CTP
Pyramid IC (Disposable Core)	CTPD	3080-178 X CTPD	3080-318 X CTPD
Pyramid IC Less Core	CLP	3070-178	3070-318
UL IC 6-pin housing less core*	CL6AH	3078-178	3078-318

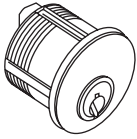
*Cylinder cores for UL IC purchased separately

Cylinder Options (cont.)

PED4000 Series

Cylinder Dogging, Delayed Egress, and Alarm Spacers

Mortise cylinders



Description	Quick Code	Part Number	Delayed Egress, Alarm Spacers
6 Pin Cylinder Assembly	6P	1000-118-A07	N/A
7 Pin Cylinder Assembly	7P	1000-114-A07-7	370F29*
IC 6-Pin	C6	1080-114-A07	370F29*
IC 6pin Less Core	CL6	1070-114-A07	370F29*
IC 6-pin w/ temporary construction core	CT6	1080-114-A07 X CT6	370F29*
IC 6-Pin w/Red Const Core	CT6R	1080-114-A07 X CT6R	370F29*
IC 6-Pin w/Blue Const Core	CT6B	1080-114-A07 X CT6B	370F29*
IC 6-Pin w/Green Const Core	CT6G	1080-114-A07 X CT6G	370F29*
IC 6-Pin (Disposable Core)	CT6D	1080-114-A07 X CL6D	370F29*
IC 7-Pin	C7	1080-114-A07-7	370F29*
IC 7-Pin Less Core	CL7	1070-138-A07-7	370F319*
IC 7-pin w/ temporary construction core	CT7	1080-138-A07-7 X CT7	370F319*
IC 7-Pin w/Red Const Core	CT7R	1080-138-A07-7 X CT7R	370F319*
IC 7-Pin w/Blue Const Core	CT7B	1080-138-A07-7 X CT7B	370F319*
IC 7-Pin w/Green Const Core	CT7G	1080-138-A07-7 X CT7G	370F319*
IC 7-Pin (Disposable Core)	CT7D	1080-138-A07-7 X CT7D	370F319*
SFIC 6-PIN	C6S	1050-114-A07	370F29*
SFIC 6-Pin w/ Blue Construction Core	CT6SB	1050-114-A07 X CT6SB	370F29*
SFIC 6-Pin Less Core	CLS6	1040-114-A07	370F29*
IC 6-Pin w/SFIC Disposable Core	CT6SD	1050-114-A07 X CT6SD	370F29*
SFIC 7-Pin	C7S	1050-138-A07-7	370F319*
SFIC 7-Pin w/ Blue Construction Core	CT7SB	1050-138-A07-7 X CL7SB	370F319*
SFIC 7-Pin Less Core	CLS7	1040-138-A07-7	370F319*
IC 7-Pin w/SFIC Disposable Core	CT7SD	1050-138-A07-7 X CL7SD	370F319*
Security	HS	1010-118-A07	N/A
Security IC	CHS	1090-114-A07	370F29*
Access 3 [®] Patented	AP	1500-114-A07	370F29*
Access 3 [®] Security	AS	1600-114-A07	370F29*
Access 3 [®] High Security	AHS	1700-114-A07	370F29*
Access 3 [®] IC Patented	ACP	1580-114-A07	370F29*
Access 3 [®] IC Security	ACS	1680-114-A07	370F29*
Access 3 [®] IC High Security	ACHS	1788-114-A07	370F29*
Pyramid Security	PS	1027-114-A07	370F29*
Pyramid Security IC	PCS	1037-114-A07	370F29*
Pyramid High Security	PHS	1020-114-A07	370F29*
Pyramid High Security IC	PCHS	1030-114-A07	370F29*
Pyramid IC (Constr. Core)	CTP	1080-114-A07 X CTP	370F29*
Pyramid IC (Disposable Core)	CTPD	1080-114-A07 X CTPD	370F29*
Pyramid IC Less Core	CLP	1070-114-A07	370F29*
UL IC 6-pin housing less core**	CL6AH	1078-114-A07	370F29*

*Specify Finish

**Cylinder cores for UL IC purchased separately

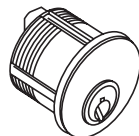
Note: Cylinder dogging does not require spacers or collars. Delayed Egress does not require collars.

Cylinder Options (cont.)

PED4000 Series

CR900 Series Keyed Removable Mullions

Mortise cylinders



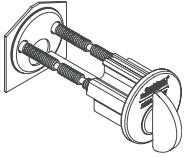
Description	Part Number	CR900 Series Cylinder Collar		
		1-1/8"	1-1/4" or 1-1/4" IC	1-1/2" IC
6-Pin	CR1000-118-A62	610F01*	447F43*	609F37*
7-Pin	CR1000-114-A62-7			
6-Pin SFIC	CR1050-114-A62			
7-Pin SFIC	CR1050-112-A62-7			
6-pin, SFIC, less core	CR1040-114-A62			
7-pin, SFIC, less core	CR1040-138-A62-7			
6-Pin, LFIC	CR1080-114-A62			
7-Pin, LFIC	CR1080-112-A62-7			
6-pin, LFIC, less core	CR1070-114-A62			
7-pin, LFIC, less core	CR1070-112-A62-7			
7-pin, Pyramid High Security	CR1020-114-A62			
7-pin, Pyramid Security	CR1027-114-A62			
7-pin, Pyramid High Security IC	CR1030-114-A62			
7-pin, Pyramid Security IC	CR1037-114-A62			
Security	CR1010-118-A62			
Security IC	CR1090-114-A62			

*Specify Finish
See quick codes on page 66.

Cylinder Options (cont.)

PED4000 Series

Rim Cylinder with Thumbturn



Description	Part Number
Rim Thumbturn - 2"	CR3300-200
Rim Thumbturn - 2" - Ergonomic	CR3300-200-M34

Cylinder Collars

Part #	Cylinder Size	Dimension "K"
867F93M	1-1/8"	0.642
867F94M	1-1/4"	0.767
967F95M	1-3/8"	0.892

Shim Kits

PED4000 Series

541 Security Shim Kit

The Corbin Russwin 541 Exit Device Security Shim Kit fills the gap between the exit device and the glass creating a flush surface. This kit can be easily trimmed and installed to accommodate most door styles without removing the Corbin Russwin push rail exit device. This not only responds to the ever increasing need for improved building security, but also maintains the facility's aesthetic design.

Features and Benefits:

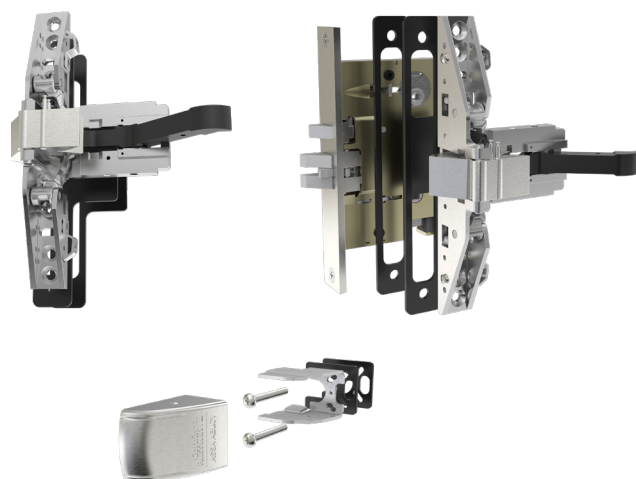
- Nylon and brushed aluminum construction can be easily cut and trimmed for custom fit
- Fits all doors up to 48" wide and stiles ranging from 4-1/2" to 6"
- Adjustment shims accommodate gaps from 3/8" to 3/4"
- 6 Lobe tamper proof security screws are included
- T10 Torx driver required for assembly
- Fasteners are countersunk for flush finish
- 541 Kit contains a 48" shim, ready to be sized



Glass Bead Shim Kits

- Each shim is 1/8"
- Lift slide length must be increased for PED4800 and PED4800 A
- Lift lever length must be increased for PED4600 and PED4600 A
- Shim thickness must not exceed 1/4" (6mm) on PED4600 and PED4600 A
- Spindles and thrubolt lengths must be increased on PE4200 and PED4200 A devices
- Available in black finish only

Kit #	Device	End Cap
875F508 19	PED4200 (A), PED4600 (A), PED4800 (A)	Flush
875F518 19	PED4200 (A), PED4600 (A), PED4800 (A)	Overlapping



End Cap Shim Kit

- Each shim is 1/8"
- To order see part # below
- Available in black finish only

Kit #	End Cap
875F448 19	Flush
875F458 19	Overlapping

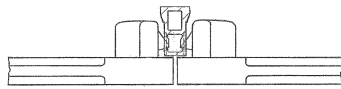
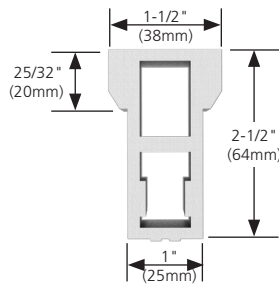


Mullions - Aluminum

PED4000 Series

Aluminum Mullions	
Product Designation	CRAL600
Description	Removable
Finishes	Anodized Satin Aluminum (628) Anodized Bronze (613)
Required Backset - PED4200	2"
Standard Height	96"
Maximum Optional Height	120"
Above Finished Floor	41" required
Pre-Prepped	658 Strike Included
Cylinder Size	Not Applicable
Shape	1-1/2" x 2-1/2"
Template #	MEDT77
Misc. Information	Includes Stabilizers and embedded Weather Stripping
Accessories	Top & Bottom Retainer Pack - 887F390

CRAL600 Mullion



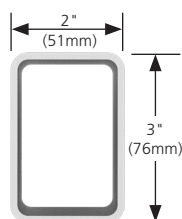
Mullions - Steel

PED4000 Series

	CR900	CR900A	CR900KM	CR900BKM
Description	Standard	Fire Rated	Lockable	Fire Rated/Lockable
Fire-rated	No	Yes (3 hour)	No	Yes (1-1/2 hour)
Fire-rated Max Height	N/A	96"	N/A	96"
Finish	Gray Paint			
Required Backset - PED4200	2-3/8"			
Standard Size	86"	86"	120"	86"
Maximum Optional Height	N/A	120"***	120"	120"***
Pre-Prepped	No	No	No	No
Cylinder	Not Required	Not Required	1-1/8" - 1-1/2" Must be ordered separately	1-1/8" - 1-1/2" Must be ordered separately
Shape	Rectangular 2" x 3"			
Template #	T31074	T31074	T31074	T31074
Accessories	Top Retainer Pack - 713F518 Bottom Retainer Pack - 713F528	Top Retainer Pack - 713F518 Bottom Retainer Pack - 713F528	Top Retainer Pack - 713F948 Bottom Retainer Pack - 713F988 Locking Mechanism Pack - 744F258	Top Retainer Pack - 713F948 Bottom Retainer Pack - 713F988 Locking Mechanism Pack - 744F258

*Cylinders & Collar Packs must be ordered separately.

** Must be cut to 96" in field to maintain fire rating



CR972/CR972A



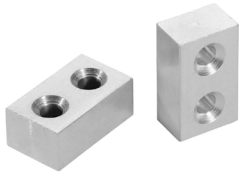
CR972KM/CR972BKM

Mullions - Accessories

PED4000 Series

M57 Mullion Stabilizer Kit

- Stabilizer block
- Reduces movement in mullion when door is closed/shaken, which could prevent latch from engaging the strike
- Part # 653F11-1



M95 Mullion Shim Kit (Spacer Block)

- For use with steel mullions
- Includes retainer and two shims
- Part # 744F328



M96 Angle Bracket

Recommended for any header configuration with less than 3" (76mm) of mounting surface. To order with a mullion, specify M96. To order separately, specify Part No 744F338.



Wall Mounts

886F970

- For use on all mullions
- Order as 886F970



Lockable Mullion Collar Packets

Mullion Series	Cylinder Length and Type			
	1-1/8"	1-1/4"	1-1/4" IC	1-1/2" IC
CR972BKM CR908BKM CR910KM	610F01*	447F43*		609F37*

Note: Cylinder collar packets contain a collar and spring washer.
*Specify finish when ordering packets.



Mullions - Accessories

PED4000 Series

Top Retainers

713F518

- For use with CR972/CR972A mullions
- Order as 713F518



713F948

- For use with CR972KM/CR972BKM mullions
- Order as 713F948



Bottom Retainers

713F528

- For use with CR972/CR972A mullions
- Order as 713F528



713F988

- For use with CR972KM/CR972BKM mullions
- Order as 713F988



Retainer Packs

887F390

- For use with CRAL600 only
- Top and bottom retainer included
- Available in EN or EB finish
- Order as 887F390 x finish



Accessories

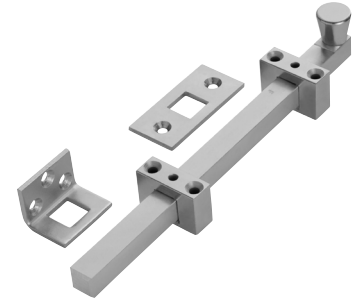
PED4000 Series

988CR Surface Bolt Kit

- Designed for severe windload (Hurricane Code) environments where surface bolts are required (e.g., on inactive doors)
- Tested to Dade County protocols
- Listed to UL10C for use on fire-rated door assemblies. Refer to codes for locations where surface bolts are allowed on fire doors
- All steel construction for maximum strength and heavy duty use
 - Full 3/4" (19mm) square
 - 12" (305mm) bolt with 1-1/4" (32mm) throw
 - Bright zinc-plated finish
 - Jimmy-resistant design locks bolt automatically when thrown; released by pressing knob toward door while retracting
 - Bolt can be locked in retracted or thrown position
- Angle (L shaped) and mortise strike with mounting hardware supplied standard.
- Order as: 988CR Surface Bolt

Notes:

- Standard size is 12" (305mm) bolt with 1-1/4" (32mm) throw
- Optional sizes available. Specify 988CR-1 (18") or 988CR-2 (24") lengths



BPS Power Supply

Operation

Power supplies are designed to provide reliable filtered and regulated power for long life to a variety of electrified hardware components. Recommended for the SAF, SEC, M97, MELR, delayed egress exit devices and electric trim.

Features

- Individual output circuit breakers
- Regulated and filtered fuse protected outputs
- LEDs monitor zone status (voltage or no voltage)
- Slide switches connect or disconnect load from power (Not available on 1 Amp supplies)
- Internal Back-Up battery charging circuit
- Rugged steel enclosure
- Fire alarm interface

Electrical Specifications

- Inputs: 120VAC
- Outputs: 12/24 VDC @ 1 Amp, 2 Amp or 4 Amp, Filtered and regulated outputs

Listings

- UL-cUL CLASS 2
 - Signal Appliances
 - Access Control System Units
 - Special Locking Arrangements - Component
- CE













Applications

- D – Delayed Egress
- M97 – Electric Dogging

Note: Batteries are not included with the BPS power supply.

Model	Enclosure	Input	Output
BPS-24-1	12" (304mm) x 9" (229mm) x 4" (102mm)	120VAC	1.0 Amp @ 24 VDC
BPS-24-2	14" (356mm) x 14" (356mm) x 4" (102mm)	120VAC	2.0 Amp @ 24 VDC
BPS-24-4	15" (381mm) x 18" (457mm) x 6" (152mm)	120VAC	4.0 Amp @ 24 VDC
BPS-12-1	12" (304mm) x 9" (229mm) x 4" (102mm)	120VAC	1.0 amp @ 12 VDC
BPS-12-3	14" (356mm) x 14" (356mm) x 4" (102mm)	120VAC	3.0 amp @ 12 VDC

Exit Device Finishes

Corbin Russwin	ANSI/ BHMA	Description		Corbin Russwin	ANSI/ BHMA	Description	
605	605	Polished brass, clear coated		613L	613L	Oxidized satin, bronze, clear coated	
606	606	Satin brass, clear coated		629	629	Polished stainless steel	
611	611	Polished bronze, clear coated		630	630	Satin stainless steel	
612	612	Satin bronze, clear coated		630C	630C	Satin stainless steel with Microshield®	
613	613	Oxidized bronze, oil rubbed		BSP	—	Black suede powder coat	
613E	613E	Dark oxidized satin bronze, equivalent		WSP	—	White Suede powder coat	

MicroShield®

ASSA ABLOY Group companies offer MicroShield®, an anti-microbial coating for door hardware. MicroShield uses proven silver ion-based technology from Agion®, a leading provider of antimicrobial solutions, to stem the spread of bacteria and other microbes.

MicroShield® is a trademark of ASSA ABLOY Access and Egress Hardware Group, Inc.

MicroShield® Coating

- Revolutionary finish coating available on all Corbin Russwin product lines, utilizes a silver-based antimicrobial compound from Agion Technologies
- As an integral part of the finish coating, MicroShield lasts for the life of the hardware
- MicroShield coating permanently suppresses the growth of bacteria, algae, fungus, mold and mildew. It is effective against a broad spectrum of bacteria.
- Non-toxic and completely safe. The Agion antimicrobial compound is EPA and NSF approved and FDA listed for use in medical and food preparation equipment.
- Applications: Anywhere there is need for a clean environment (hospitals, laboratories, schools, medical centers, daycare, food processing etc.)


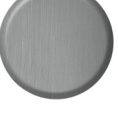


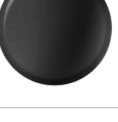


The Agion antimicrobial is not intended as a substitute for good hygiene. Coated products must still be cleaned to ensure the surfaces will be free of destructive microbes. ASSA ABLOY makes no representations or warranties, express or implied, as to the efficacy of the Agion antimicrobial. A copy of the Agion warranty is available upon request. Agion is a registered trademark of Agion Technologies, Inc., Wakefield, MA, USA.

Finishes (cont.)

PED4000 Series

Trim Finishes

Corbin Russwin	ANSI/BHMA	Description		Corbin Russwin	ANSI/BHMA	Description	
605	605	Polished brass, clear coated		619C	619C	Satin Nickel with Microshield®	
606	606	Satin brass, clear coated		625	625	Polished chrome	
611	611	Polished bronze, clear coated		626	626	Satin chrome	
612	612	Satin bronze, clear coated		626C	626C	Satin chrome with Microshield®	
613	613	Oxidized bronze, oil rubbed		629	629	Polished stainless steel	
613E	613E	Dark oxidized satin bronze, equivalent		630	630	Satin stainless steel	
613L	613L	Oxidized satin, bronze, clear coated		630C	630C	Satin stainless steel with Microshield®	
618	618	Polished nickel, clear coated		BSP	—	Black suede powder coat	
619	619	Satin nickel, clear coated		WSP	—	White Suede powder coat	

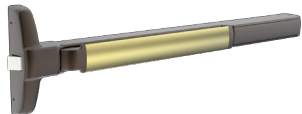



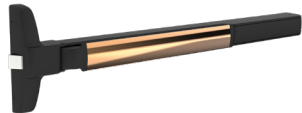



Notes:

- T34 is not available in 629 or 630.
- Pulls and thumb piece trims are not available in 618, 619, 625 or 626 except T34 which is available in 618 and 619.

Finishes (cont.)


PED4000 Series

Mixed Finishes

Corbin Russwin	Rail Mount, Chassis Cover, End Cap, Dogging Scalp, Insert	Pushbar	
613606	Oxidized bronze, oil rubbed	Satin brass, clear coated	
630BSP	Satin stainless steel	Black suede powder coat	
630ERD*	Satin stainless steel	Red powder coat	
BSP606	Black suede powder coat	Satin brass, clear coated	
BSP611	Black suede powder coat	Polished bronze, clear coated	
BSP630	Black suede powder coat	Satin stainless steel	
BSPERD*	Black suede powder coat	Red powder coat	
WSPBSP	White suede powder coat	Black suede powder coat	

* Available with M61 only

Shim Kit Finishes

Corbin Russwin	BHMA	Description	
693	693	Sprayed black enamel or polyester powder coated	

How to Order

PED4000 Series

Quantity	Exit Device	Misc. Options	Trim/Function	Finish - Trim	Hand	Optional Strike	Finish - Device	Door Thickness	Door Width
65	PED4655	M51-M54	N9M55ET	605	LHR	815	630BSP	D214	W048

Options - Cylinder

See page 51

Options - Electrical & Mechanical

5CH	5lb Pressure Release
A	Fire Rated
AD	Aluminum Doors
D	Self Contained Delayed Egress
GL	Guarded Latch
LC	Less Cylinder
M04	Security Fasteners
M21	Knurling - Milled Outside Lever
M23	Abrasive Strip on Rail & Abrasive Coating on Outside Lever
M24	Abrasive Coating on Outside Lever
M25	Abrasive Strip on Rail
M48	Passive dogging indicator
M49	Photoluminescent
M51	Less Dogging
M52	Cylinder Dogging
M54	Thrubolts
M61	Alarmed Exit
M91	Latch Bolt Monitoring
M92	Rail Monitoring
M92 ERM	Double Touchbar Monitoring
M93	Lever Monitoring
M97	Electric Dogging
M111	Overlap End Cap
M114	Electrified Exit Device with Manual Hex Key Dogging
MD	Metal Doors
MELR	Electric Latch Retraction
WH	Weep Holes - Available with WM91, WM92, WM92-ERM and W93
WR	Wire Harness

Device

PED42	Rim - Narrow Stile
PED46	Mortise - Narrow Stile
PED48	CVR - Narrow Stile

Function

10	Passage only
10T	Passage only (no cylinder)
40	No outside operation
45	Key outside unlocks/locks trim
47	Night latch-key retracts latch
49	Key unlocks trim
50	Freewheeling trim - no outside operation (dummy trim)
55	Freewheeling trim - key outside unlocks/locks trim
55T	Key outside unlocks/locks thumb-piece
57	Freewheeling trim - key retracts latch
57T	Night latch-key retracts latch
59	Freewheeling trim - key unlocks trim
903	Electrified trim - fail safe power off, unlocks lever
905	Electrified trim - fail secure power off, locks lever
910	Electrified trim - fail safe power off, unlocks lever
930	Electrified trim - fail secure power off, locks lever

Rail Size

W032	24" to 32" (61 cm to 81 cm)
W036	32.5" to 36" (84 cm to 91 cm)
W042	36.5" to 42" (94 cm to 107 cm)
W048	42.5" to 48" (110 cm to 122 cm)

Trim

T33	Pull Trim
T34	Pull Trim
T35	Pull Trim
T36	Pull Trim
T37	Pull Trim
T3301	Cover Plate
P12	10" Pull (4" wide)
P13	18" Pull
P14	10" Pull (3-1/2" wide)
K157ET	Nightlatch (PED4200)
K1M57ET	Nightlatch (PED4600)
x900PT	Wide Stile Lever Trim
x800PT	Narrow Stile lever trim
PED100	CVR Auxiliary Control
Levers	See pages 31-36

Finish - Trim (see page 64)

Finish - Device (see page 63 and 64)

Hand

LHR	Left Hand Reverse
RHR	Right Hand Reverse

Strikes

604	Wear plate
606	Bottom strike
613	Half mortised strike
639	Top strike
640	Top and bottom strike
642	Mortised strike
644	Door pairs w/o mullion
649	Surface strike
650	Top strike
652	Top and bottom strike
656	Surface strike
657	Blade stop strike
658	Mullion strike
C908	Curved lip strike
815	Open back strike
908	Flat lip strike

Door Width

Specify (See page 25)

Door Thickness

D134
D200
D214

Opening Height

Specify (See page 25)

AFF

Specify (See page 26)

How to Order (cont.)

PED4000 Series

How to Order with Piet Series Levers

Gramercy Lever information														
Series	Function	Options	Rail Size	Trim	Lever	Finish			Hand	Optional Strike	Finish - Device	Door Width	Opening Height	AFF
					Leather insert	Bright stainless steel with brown leather			RHR RH, LHR, or LH				For vertical rod devices	Above Finished Floor
PED48	910	MELR	W036	8CV910PT	RAL	29	BN	29	RH	655	630	W036	H0700	AFF038

Architectural Specifications

PED4000 Series

- A. Exit devices shall be PED4000 Series push rail devices as manufactured by Corbin Russwin Architectural Hardware.
- B. Exit devices shall be certified to meet or exceed the requirements of ANSI/BHMA A156.3 Grade 1.
- C. Exit devices shall be listed by Underwriters Laboratories for panic and bear the UL label for life safety in full compliance with NFPA 80 and NFPA 101. Exit devices for fire labeled doors shall be UL listed as "Fire Exit Hardware".
- D. Exit Devices shall be certified to meet the requirements of ANSI/BHMA A156.41, Door Hardware Single Motion To Egress.
- E. Provide standard hex key dogging on non fire-rated exit devices, with cylinder dogging (i.e., Corbin Russwin M52 option) as an option.
- F. Exit devices shall comply with UL 10C positive pressure requirements.
- G. Construction:
 - 1. Chassis shall be of heavy duty cast design with one piece drawn nonferrous removable covers matching the material of the push and mounting rails.
 - 2. Stamped steel chassis are not acceptable.
 - 3. Mounting rails shall be formed from a single piece of stainless steel, brass or bronze no less than 0.060 inches thick.
 - 4. Push rails shall be constructed of 0.060 inch thick material in the same manner as the mounting rail. Painted or anodized aluminum shall not be considered heavy duty and are not acceptable.
 - 5. Metal end caps shall be formed from the same base metal as the push and mounting rails.
 - 6. No visible fasteners on the rail, including top, bottom and back of the rail.
 - 7. No visible plastic
 - 8. Hex key dogging must be hidden.
 - 9. The exit device must not have any catchpoints.
 - 10. Provide center case adjustability for CVR.
 - 11. End caps shall be either flush or overlapping and be manufactured from stainless steel, brass, or bronze using matching architectural finishes. The end cap mounting bracket should be manufactured from steel.
 - 12. Easy wire routing, available for retrofit to existing or new holes
- H. Exit devices shall have a maximum of 3.1 inches projection from the face of the door in the non-dogged position.
- I. The design of the exit device shall eliminate the necessity of removing the device from the door for standard maintenance or keying changes.
- J. The device chassis shall be mounted and operable without the need of the rail or the chassis cover.
- K. Trim shall be through-bolted through the door.
- L. Devices shall be available with matching trim for both wide and narrow stile doors, including electrified functions when required.
- M. Exit device operating lever trim shall withstand 1000 inch pounds of torque without allowing access.
- N. Lever trim shall be available in architectural finishes and designs to match that of the locksets specified.
- O. Provide electrified exit devices with ElectroLynx® standardized plug connectors to accommodate up to twelve wires.
- P. Plug connectors shall plug directly into ElectroLynx® through-door wiring harnesses for connection to electric transfer hinge and power supplies.
- Q. Provide sufficient number of concealed wires to accommodate electric function of specified hardware.
- R. Exit devices shall have a ten year limited warranty.

The ASSA ABLOY Group is the global leader in access solutions. Every day, we help billions of people experience a more open world.

ASSA ABLOY Opening Solutions leads the development within door openings and products for access solutions in homes, businesses and institutions. Our offering includes doors, frames, door and window hardware, mechanical and smart locks, access control and service.



For additional information, contact your
ASSA ABLOY Door Security Solutions
sales consultant or visit www.corbinrusswin.com.

In U.S.

Corbin Russwin
Architectural Hardware
225 Episcopal Road
Berlin, CT 06037
Phone: 800-543-3658
Fax: 800-447-6714
corbinrusswin.com

In Canada

ASSA ABLOY Door
Security Solutions Canada
160 Four Valley Drive
Vaughan, Ontario
Canada L4K 4T9
Phone: 800-461-3007
Fax: 800-461-8989
www.assaabloydss.ca

MicroShield®

As part of their promise to provide innovative solutions to their customers, certain ASSA ABLOY Group brands offer the MicroShield® technology, a silver-based antimicrobial coating designed to inhibit the growth of bacteria.

Microshield® is a registered trademark of ASSA ABLOY Access and Egress Hardware Group, Inc.



The Agion antimicrobial is not intended as a substitute for good hygiene. Coated products must still be cleaned to ensure the surfaces will be free of destructive microbes. ASSA ABLOY makes no representations or warranties, express or implied, as to the efficacy of the Agion antimicrobial. A copy of the Agion warranty is available upon request. Agion is a registered trademark of Agion Technologies, Inc., Wakefield, MA, USA