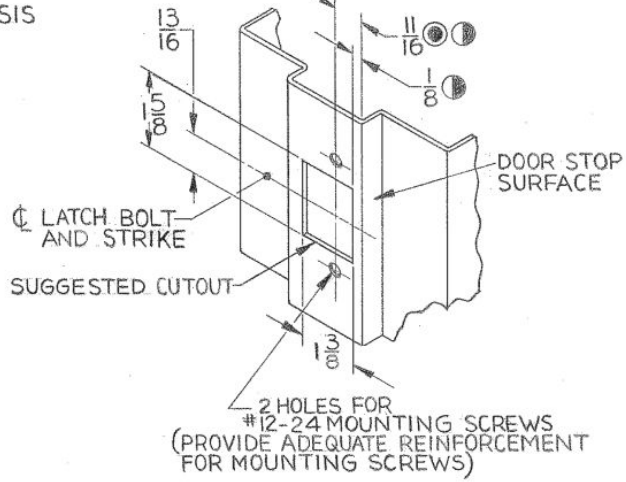
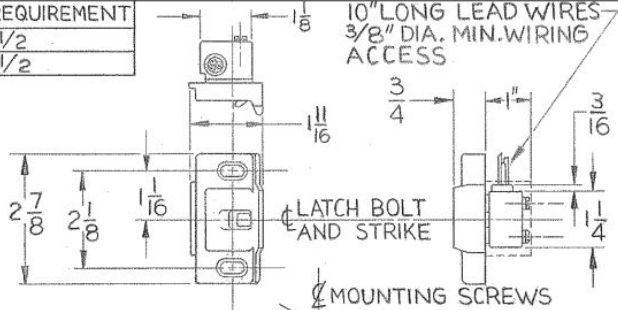
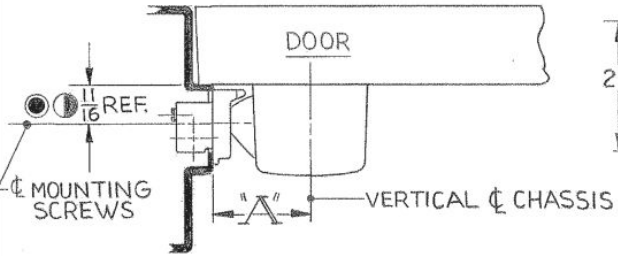


EXIT DEVICE	DIM. "A"	MIN. STILE REQUIREMENT
NARROW STILE	1 1/2	3 1/2
WIDE STILE	2 1/4	4 1/2



- ④ ● INDICATES DIMENSIONS TAKEN FROM DOOR STOP SURFACE.
- ③ FOR DOOR PREP OTHER THAN MONITOR STRIKE, SEE APPROPRIATE METAL DOOR TEMPLATE.
- ② ● IF DOOR SILENCERS ARE USED ON THE DOOR FRAME, DECREASE THIS DIMENSION ACCORDINGLY.
- ① FRACTIONAL TOLERANCE $\pm 1/32$.

ASSA ABLOY
Opening Solutions

METAL DOOR TEMPLATE:
881 MONITOR STRIKE X
RIM TYPE EXIT DEVICE

RELEASE DATE
5/17/22
TEMPLATE NO.
MEDT47