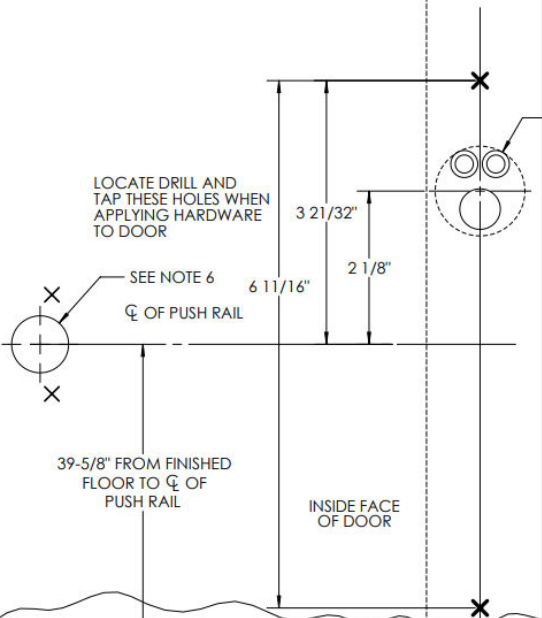


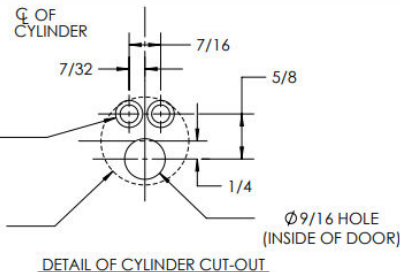
SEE STRIKE TEMPLATE
FOR MINIMUM STILE
LIMITATIONS



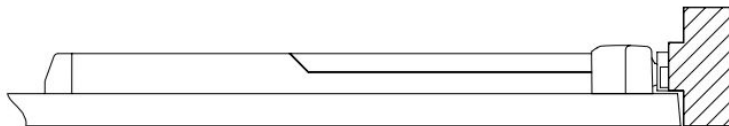
FOR REINFORCED HOLLOW METAL DOORS:
DRILL AND TAP (2) 1/4-20 HOLES
FOR ALUMINUM DOORS:
DRILL (2) $\varnothing 7/16$ HOLES FOR MOLLY JACK NUTS

(2) $\varnothing 1/4$ " HOLES
X $\varnothing 3/8$ "
(INSIDE OF DOOR)

$\varnothing 1 7/32$ X $1 3/8$ "
CYLINDER HOLE
(OUTSIDE OF DOOR)

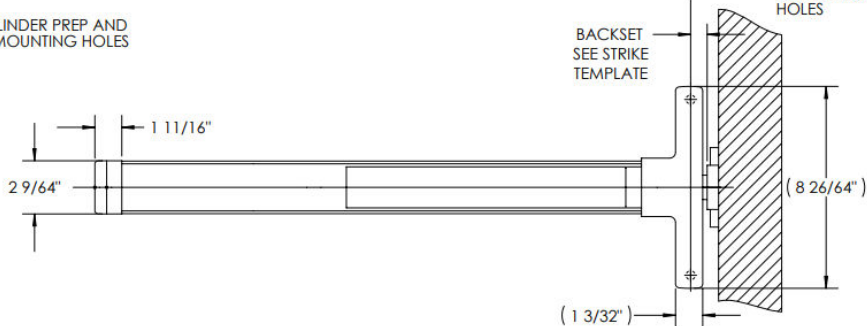


SEE DETAIL OF CYLINDER CUT-OUTS
FOR DIMENSIONS



NARROW RIM TYPE EXIT DEVICE SHOWN

\varnothing OF CYLINDER PREP AND
CHASSIS MOUNTING HOLES



- ⑥ — SEE TEMPLATE MEDT8 FOR ELECTRICAL RACEWAY DETAILS WHEN NEEDED.
- ⑤ — SURFACE OF DOOR WHERE EXIT DEVICE IS TO BE APPLIED MUST BE FLUSH.
- ④ — SEE MASTER SHEET No. MEDT23 FOR AREAS REQUIRING REINFORCEMENTS.
- ③ — SEE STRIKE TEMPLATE FOR MOUNTING LOCATION OF STRIKE.
FOR 881 MONITOR STRIKE SEE TEMPLATE MEDT47.
- ② — WE RECOMMEND THAT ALL TAPPED HOLES BE DRILLED & TAPPED IN FIELD.
- ① — TOLERANCE ON ALL DIMENSIONS $\pm 1/64$ ".

ASSA ABLOY
ELECTRIC DIVISION

DOOR MANUFACTURERS TEMPLATE
NARROW RIM EXIT DEVICE
WITH CYLINDER ONLY

RELEASE DATE
5/5/22
TEMPLATE NO.
MEDT35