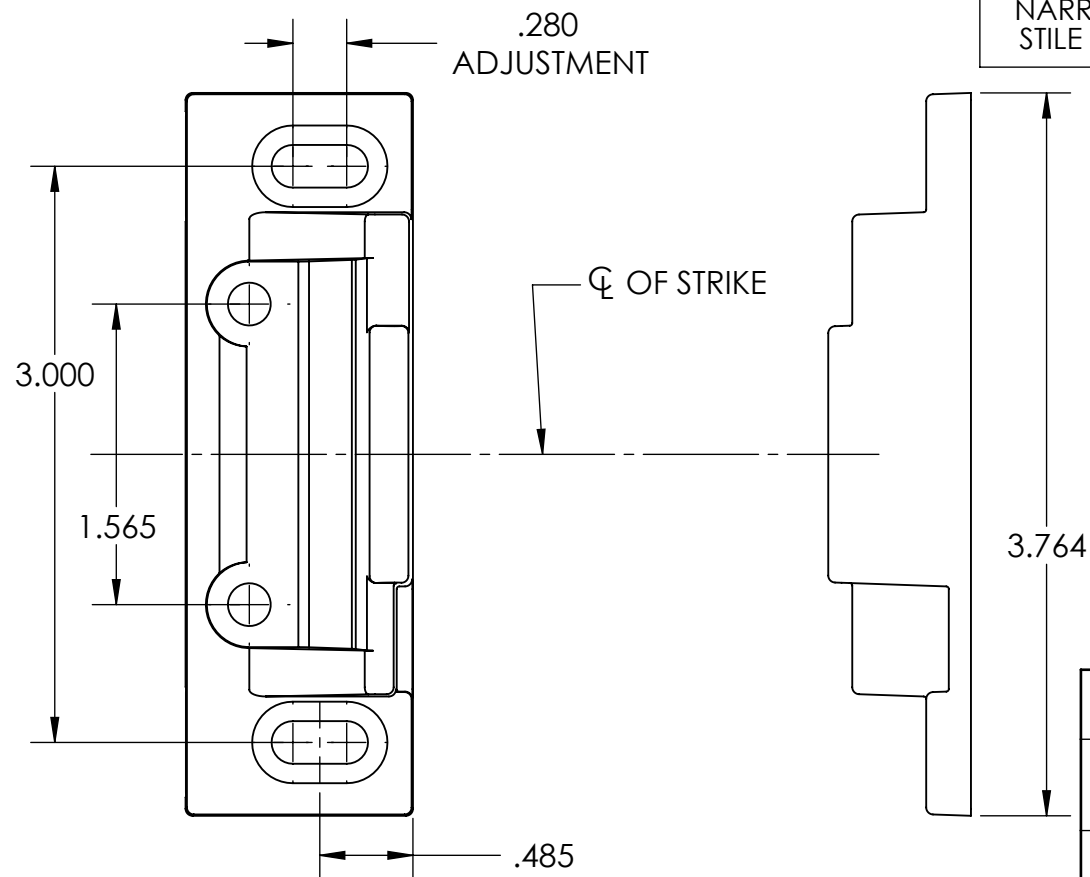
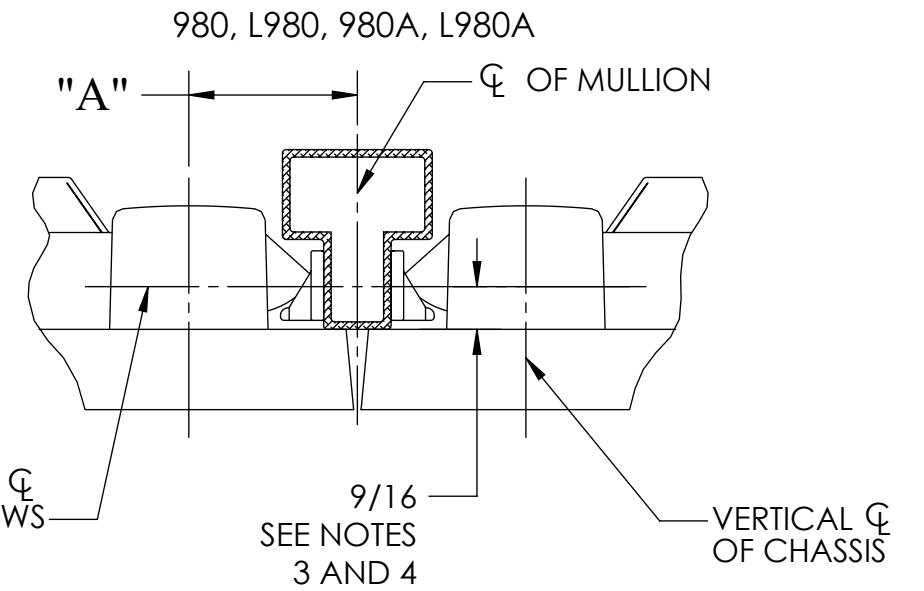


ALUMINUM MULLION				
REQUIRED BACKSET		MINIMUM DOOR STILE FOR VARIOUS TRIMS		
EXIT DEVICE	BACKSET "A"	P700/ 800PT/ 900PT/ STS / T35	PTB / PSB / T33	FLW/FSW MAL/MSL / T34
WIDE STILE RIM	2 7/8	4 1/4	4 5/8	4 3/16
NARROW STILE RIM	2 1/8	3 1/8	3 7/8	3 7/16

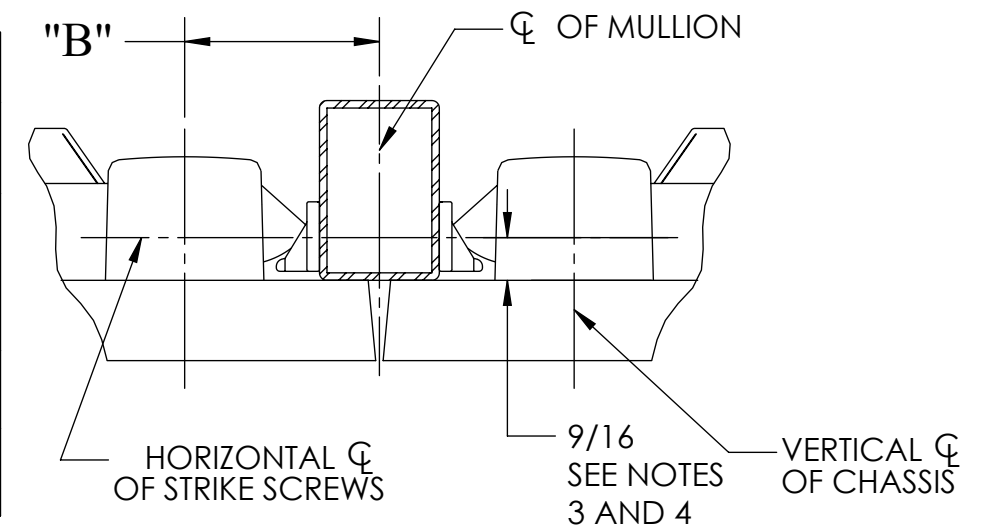
ALUMINUM MULLION APPLICATIONS



STEEL MULLION APPLICATIONS

12-980, 12-L980, EL-980, HC-980, HC-L980
 12-HC-980, 980S, L980S, 12-HD-980, 12-HC-L980, CR900, CR900A, CRFE700A, CR900BKM, CR900KM, CRWS700AKM

STEEL MULLION				
REQUIRED BACKSET		MINIMUM DOOR STILE FOR VARIOUS TRIMS		
EXIT DEVICE	BACKSET "B"	P700/ 800PT/ 900PT/ STS / T35	PTB / PSB / T33	FLW/FSW MAL/MSL / T34
WIDE STILE RIM	3 1/4	4 5/8	5	4 9/16
NARROW STILE RIM	2 1/2	3 1/2	4 1/4	3 13/16



1. TOLERANCES: FRACTIONAL $\pm 1/64"$, DECIMAL $\pm .015$.
2. SEE APPROPRIATE DOOR MANUFACTURERS TEMPLATE TO MOUNT EXIT DEVICE.
3. IF DOOR SILENCERS ARE USED ON THE FRAME, DECREASE THIS DIMENSION BY SILENCER HEIGHT.
4. IF "GLASS BEAD" SHIMS ARE USED, INCREASE THIS DIMENSION BY SHIM HEIGHT (1/8" PER SHIM USED).
5. AFTER STRIKE IS INSTALLED AND ADJUSTED, TWO CENTER HOLES ARE TO BE DRILLED AND TAPPED FOR #10-24 ROUND HEAD MACHINE SCREWS.

ASSA ABLOY
 Opening Solutions
 Experience a safer
 and more open world
 (800) 527-2222

DOOR MANUFACTURERS TEMPLATE:
 649 STRIKE
 DOUBLE DOOR/MULLION APPLICATIONS

RELEASE DATE
 04-19-2022
 TEMPLATE NO.
 MEDT39