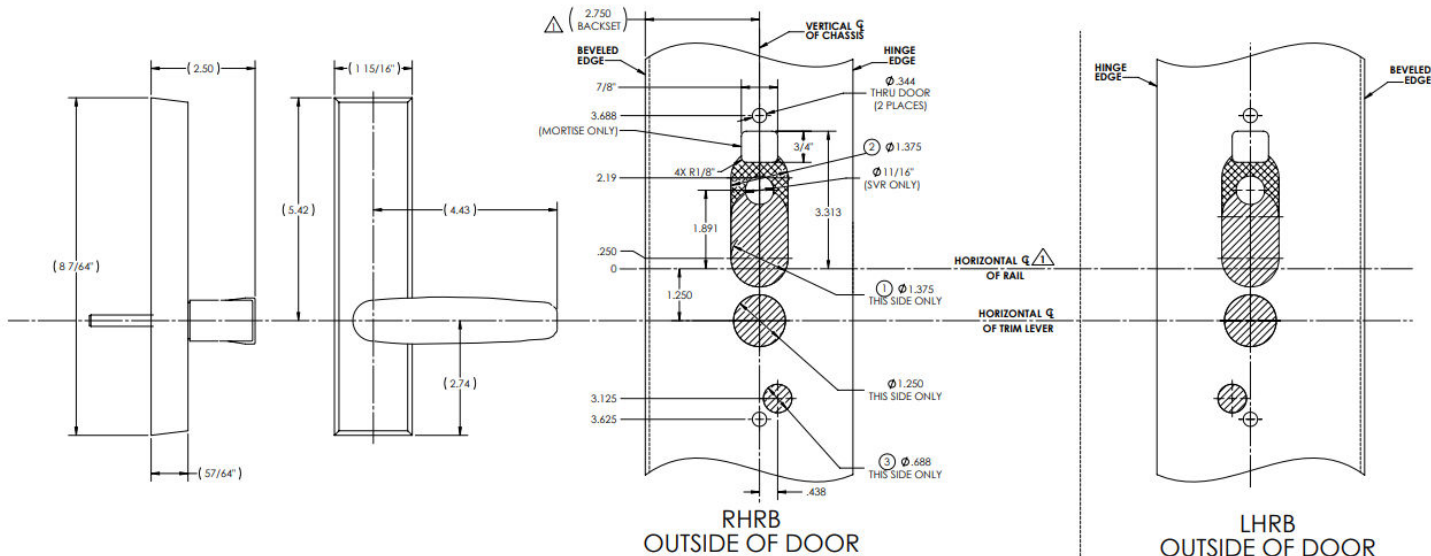


METAL DOOR

SERIES	FUNCTIONS	FEATURE ① (ECOFLEX)	FEATURE ② (CYLINDER)	FEATURE ③ (LEVER MONITORING)
PREMIUM MORTISE EXIT DEVICES (WIDE OR NARROW STYLE)	P775, P776, 8M903PT, 8M905PT, 9M903PT, 9M905PT	X	OUTSIDE ONLY	--
	54-775, 54-77654-P773, 54-P774, 8M910PT M93, 8M930PT M93, 9M910PT M93, 9M930PT M93 ALL OTHER 54- / M93	X	OUTSIDE ONLY	X
PREMIUM MORTISE EXIT DEVICES (WIDE OR NARROW STYLE) PREMIUM SURFACE VERTICAL ROD EXIT DEVICES	P773, P774, 8M910PT, 8M930PT, 9M910PT, 9M930PT	--	--	--
	54-P773, 54-P774, 8M910PT M93, 8M930PT M93, 9M910PT M93, 9M930PT M93 ALL OTHER 54- / M93	X	--	X
		--	SEE NOTE 2	X



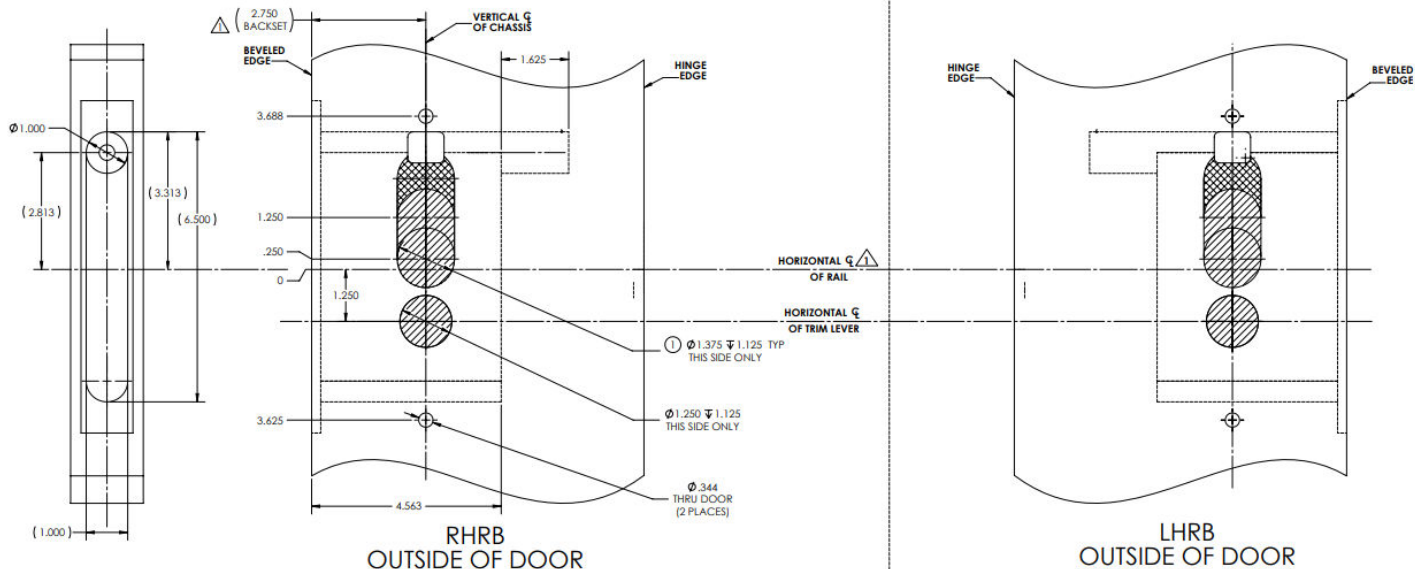
NOTES:

- FOR LOCATION OF VERTICAL CENTERLINES, HORIZONTAL CENTERLINES AND ALL ADDITIONAL EXIT DEVICES PREP, REFER TO APPROPRIATE EXIT DEVICE TEMPLATE.
- FOR ADDITIONAL "ET" DOOR PREP CUTOUTS REFER TO TEMPLATE MEDT19.
- SUITABLE REINFORCEMENT REQUIRED FOR METAL DOORS.
- BEVEL REQUIRED (NOT SHOWN), PREP TO ANSI A115 SPECIFICATIONS.
- TOLERANCE ALL DIMENSIONS $\pm .015$.
- FOR WOOD DOOR APPLICATIONS, SEE SHEET 2 (MORTISE EXIT DEVICES) OR SHEET 3 (SURFACE VERTICAL ROD EXIT DEVICES).

ASSA ABLOY Spring Release Exit Device 54-775, 54-776, 54-P773, 54-P774, 8M910PT M93, 8M930PT M93, 9M910PT M93, 9M930PT M93	DOOR HINGE TEMPLATE, LEVER MONITORING & ECOFLEX EXIT TRIM COVERS, MORTISE EXIT DEVICES SURFACE VERTICAL ROD EXIT DEVICES METAL DOOR (SHEET 1 OF 3)	RELEASE DATE 5/17/22 RESPONSIBLE MEDT32
---	--	--

WOOD DOOR (PREMIUM MORTISE EXIT DEVICES)

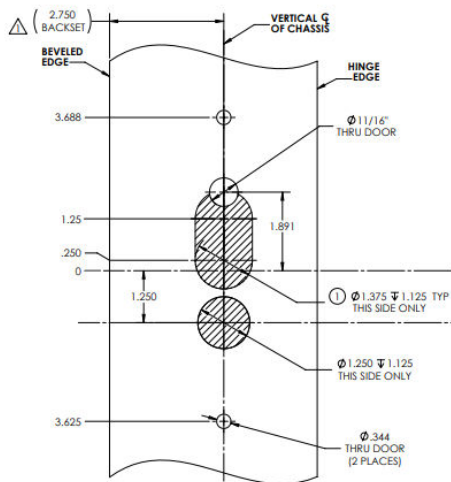
SERIES	FUNCTIONS	FEATURE ① (ECOFLEX)	FEATURE ② (CYLINDER)
PREMIUM MORTISE EXIT DEVICES (WIDE OR NARROW STYLE)	P775, P776, BM903PT, BM905PT, 9M903PT, 9M905PT	X	X
	P773, P774, BM910PT, BM930PT, 9M910PT, 9M930PT	X	-



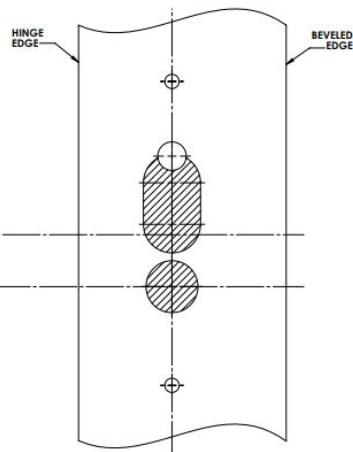
NOTES:

1. FOR LOCATION OF VERTICAL CENTERLINES, HORIZONTAL CENTERLINES AND ALL ADDITIONAL EXIT DEVICES PREP. REFER TO APPROPRIATE EXIT DEVICE TEMPLATE.
2. BEVEL REQUIRED (NOT SHOWN). PREP TO ANSI A115 SPECIFICATIONS.
3. TOLERANCE ALL DIMENSIONS ± 0.15.
4. FOR TRIM DIMENSIONS OR METAL DOOR PREP SEE SHEET 1.
5. FOR WOOD DOOR (SURFACE VERTICAL ROD EXIT DEVICES) PREP SEE SHEET 3.

WOOD DOOR (PREMIUM SURFACE VERTICAL ROD EXIT DEVICES)



**RHRB
OUTSIDE OF DOOR**



**LHRB
OUTSIDE OF DOOR**

NOTES:

1. FOR LOCATION OF VERTICAL CENTERLINES, HORIZONTAL CENTERLINES AND ALL ADDITIONAL EXIT DEVICES PREP. REFER TO APPROPRIATE EXIT DEVICE TEMPLATE.
2. BEVEL REQUIRED (NOT SHOWN), PREP TO ANSI A115 SPECIFICATIONS.
3. TOLERANCE ALL DIMENSIONS ±.015.
4. FOR TRIM DIMENSIONS OR METAL DOOR PREP SEE SHEET 1.
5. FOR WOOD DOOR (MORTISE EXIT DEVICES) PREP SEE SHEET 2.