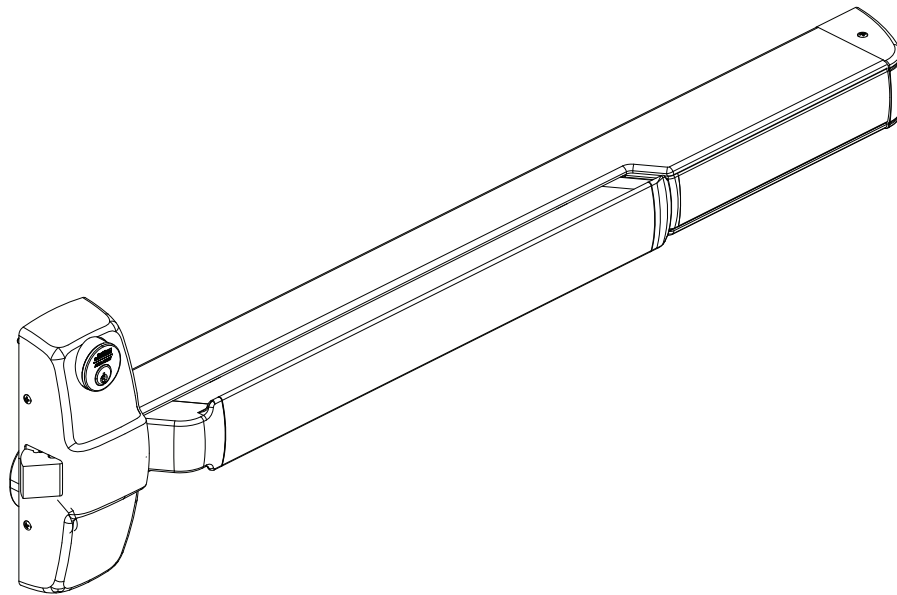


Installation Instructions

PED5200 & PED5200 A Series

Rim Exit Device for 10T, 55T, 42, & 42T Functions



WARNING

This product can expose you to lead which is known to the state of California to cause cancer and birth defects or other reproductive harm. For more information go to www.P65warnings.ca.gov.

For installation assistance contact Corbin Russwin
1-800-543-3658 • techsupport.corbinrusswin@assaabloy.com

Copyright © 2022, ASSA ABLOY Access and Egress Hardware Group, Inc. All rights reserved. Reproduction in whole or in part without the express written permission of ASSA ABLOY Access and Egress Hardware Group, Inc. is prohibited.

WARNING

Attention Installer: Improper installation may result in damage to the product and void the factory warranty.

PED5200 & PED5200 A Series

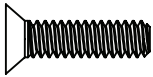





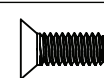


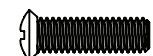

Rim Exit Device for 10T, 55T, 42, & 42T Functions



ASSA ABLOY

Installation Instructions

Screw Chart

SCREW	TOTAL QTY SUPPLIED	WHERE USED
 #10-24 X 3/4" FLAT HEAD MACHINE SCREW	4	(4) CHASSIS CORNER MOUNTING HOLES (METAL DOOR)
 #10 X 1-1/4" FLAT HEAD WOOD SCREW	4	(4) CHASSIS CORNER MOUNTING HOLES (WOOD DOOR)
 #10-24 X 3/4" ROUND HEAD MACHINE SCREW	4	(2) REAR MOUNTING PLATE (METAL DOOR) (2) 649 STRIKE INNER MOUNTING HOLES
 #10 X 1-1/4" ROUND HEAD WOOD SCREW	2	(2) REAR MOUNTING PLATE (WOOD DOOR)
 #10-24 X 3/4" OVAL HEAD MACHINE SCREW	2	(2) 649 STRIKE OUTER MOUNTING HOLES (METAL FRAME)
 #10 X 1-1/4" OVAL HEAD WOOD SCREW	2	(2) 649 STRIKE OUTER MOUNTING HOLES (WOOD FRAME)
 #8-32 X 7/16" FLAT HEAD MACHINE SCREW	2	(2) CYLINDER SUPPORT TO CHASSIS (42 & 42T FUNCTIONS ONLY)
 #8-32 X 1/4" SOCKET HEAD SET SCREW	1	(1) CYLINDER SUPPORT TO CYLINDER (42 & 42T FUNCTIONS ONLY)
 #8-32 X 5/16" W/ #6 OVAL HEAD MACHINE SCREW	4	(2) CHASSIS COVER FRAME SIDE (2) END CAP
 #8-32 X 5/8" W/ #6 OVAL HEAD MACHINE SCREW	2	(2) CHASSIS COVER RAIL SIDE
 1/4"-20 X 2-3/8" KNURLED FLAT HEAD MACHINE SCREW	2	(2) EXIT TRIM (IF USED)

For installation assistance contact Corbin Russwin
 1-800-543-3658 • techsupport.corbinrusswin@assaabloy.com

Copyright © 2022, ASSA ABLOY Access and Egress Hardware Group, Inc. All rights reserved.
 Reproduction in whole or in part without the express written permission of ASSA ABLOY Access and Egress Hardware Group, Inc. is prohibited.

FM576 9/22

PED5200 & PED5200 A Series

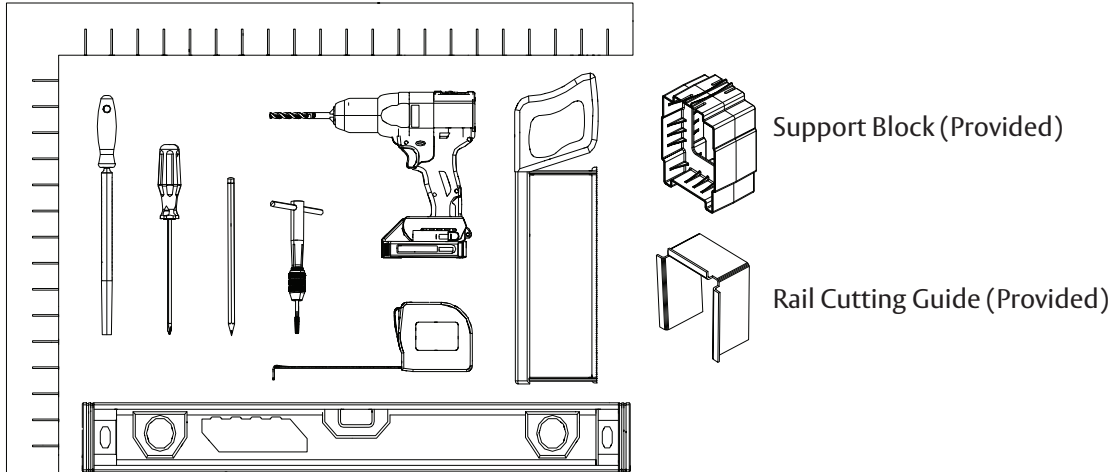
Rim Exit Device for 10T, 55T, 42, & 42T Functions

Installation Instructions



ASSA ABLOY

Tools Needed



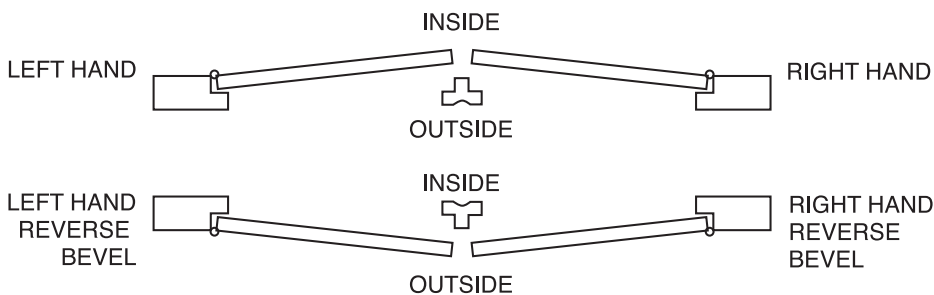
Before installation:

1. Install mullion, if used.
2. Fit and hang door.
3. Check the box's label for the size of the exit device.
4. For wood doors, use wood screws and prep accordingly.



The surface of the door where the exit device is to be applied must be flush. Clear away any raised projections to allow exit device to rest on the flat surface of the door. If shim kit is required, contact your distributor.

Note: Please refer to trim and other installation instructions provided in the box.



DOOR HANDS DETERMINED FROM OUTSIDE OF DOOR
OR SECURED SIDE

For installation assistance contact Corbin Russwin
1-800-543-3658 • techsupport.corbinrusswin@assaabloy.com

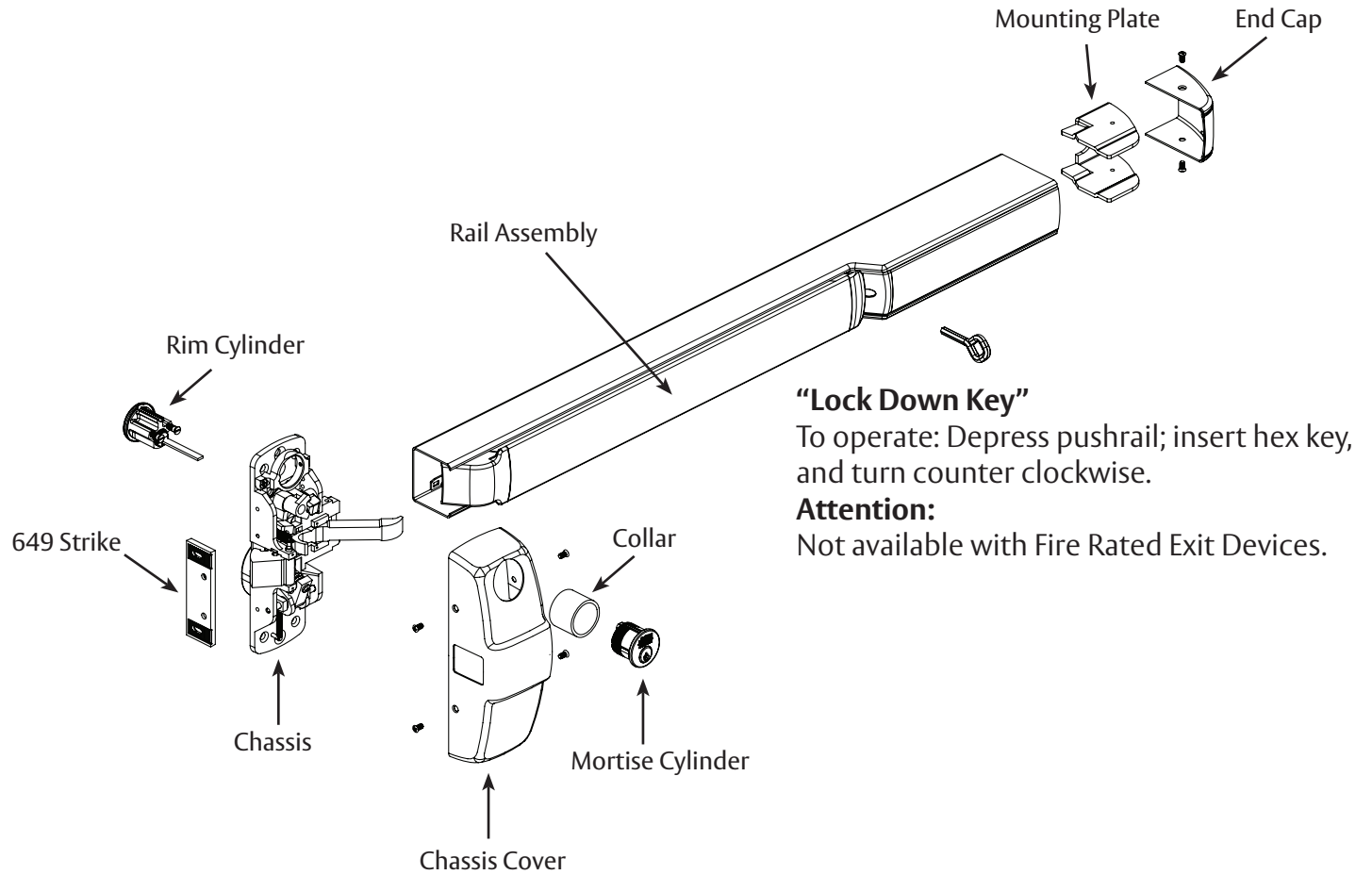
Copyright © 2022, ASSA ABLOY Access and Egress Hardware Group, Inc. All rights reserved.
Reproduction in whole or in part without the express written permission of ASSA ABLOY Access
and Egress Hardware Group, Inc. is prohibited.

PED5200 & PED5200 A Series

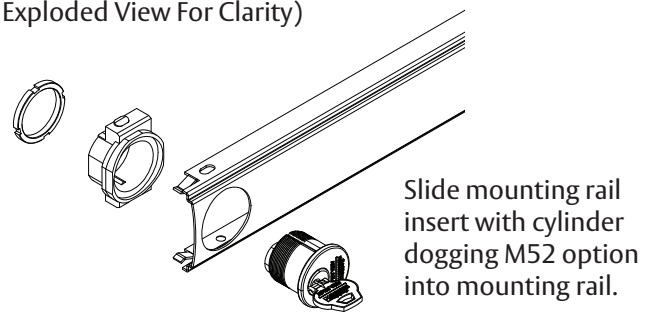
Rim Exit Device for 10T, 55T, 42, & 42T Functions

Installation Instructions

Exploded View



Cylinder Dogging M52 Option (Exploded View For Clarity)



For installation assistance contact Corbin Russwin
1-800-543-3658 • techsupport.corbinrusswin@assaabloy.com

Copyright © 2022, ASSA ABLOY Access and Egress Hardware Group, Inc. All rights reserved.
Reproduction in whole or in part without the express written permission of ASSA ABLOY Access and Egress Hardware Group, Inc. is prohibited.

FM576 9/22

PED5200 & PED5200 A Series

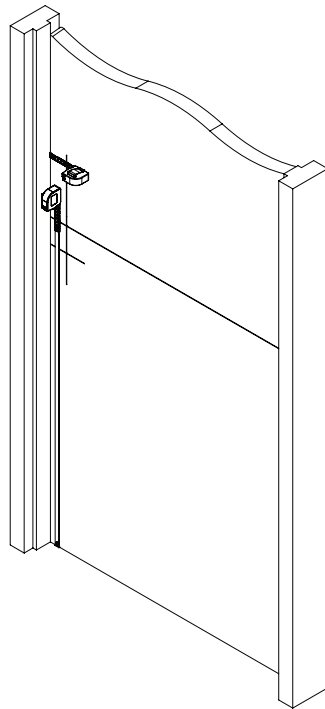
Rim Exit Device for 10T, 55T, 42, & 42T Functions

Installation Instructions

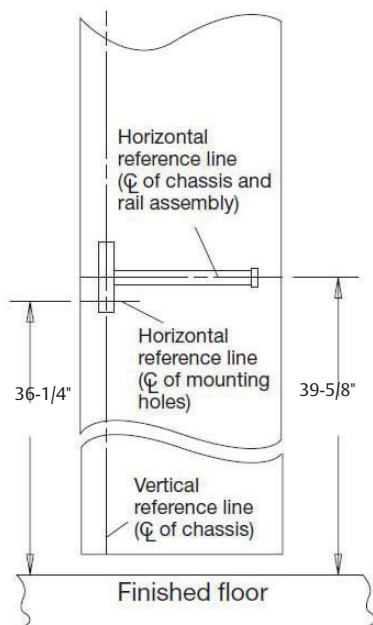


ASSA ABLOY

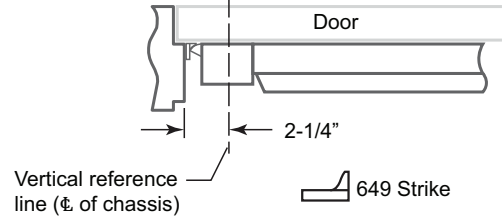
1 Prepare Door



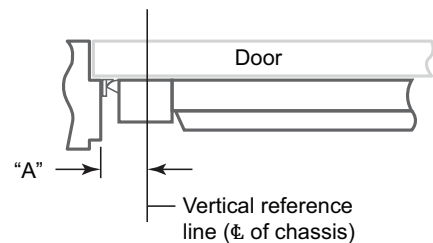
Measure and mark chassis vertical centerline, rail horizontal centerline, and horizontal reference line (bottom chassis mounting holes).



Single Door (PED5200 A Fire Rated Exit Device)



Single Door (Non-Fire Rated)

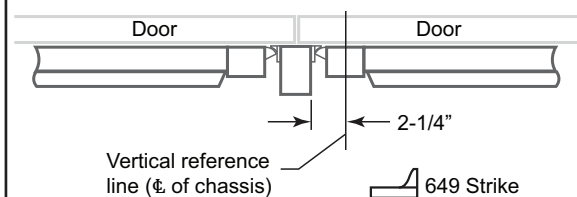


For 649 strike Dim. "A" = 2-1/4"

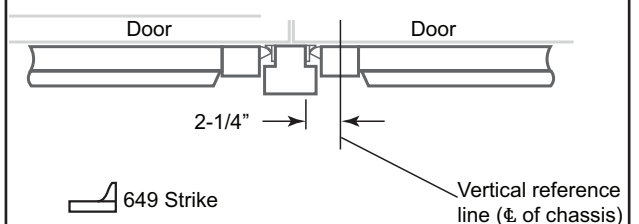
For 613 strike Dim. "A" = 1-3/4"

For 642 strike Dim. "A" = 1-1/2"

Double Door (with CR900 A Series Mullion)



Double Door (with CR900 Series Mullion)



For installation assistance contact Corbin Russwin
1-800-543-3658 • techsupport.corbinrusswin@assaabloy.com

Copyright © 2022, ASSA ABLOY Access and Egress Hardware Group, Inc. All rights reserved.
Reproduction in whole or in part without the express written permission of ASSA ABLOY Access and Egress Hardware Group, Inc. is prohibited.

FM576 9/22

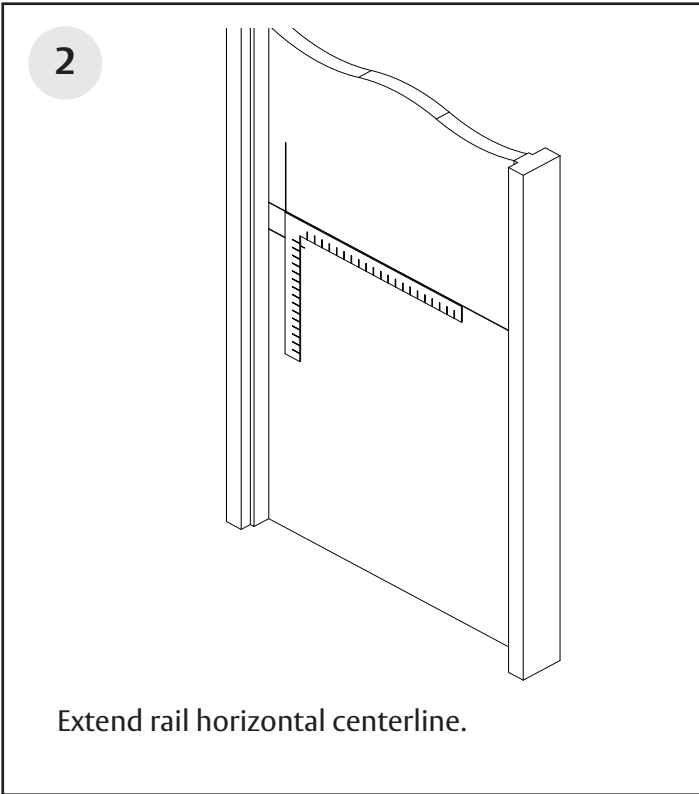
PED5200 & PED5200 A Series

Rim Exit Device for 10T, 55T, 42, & 42T Functions

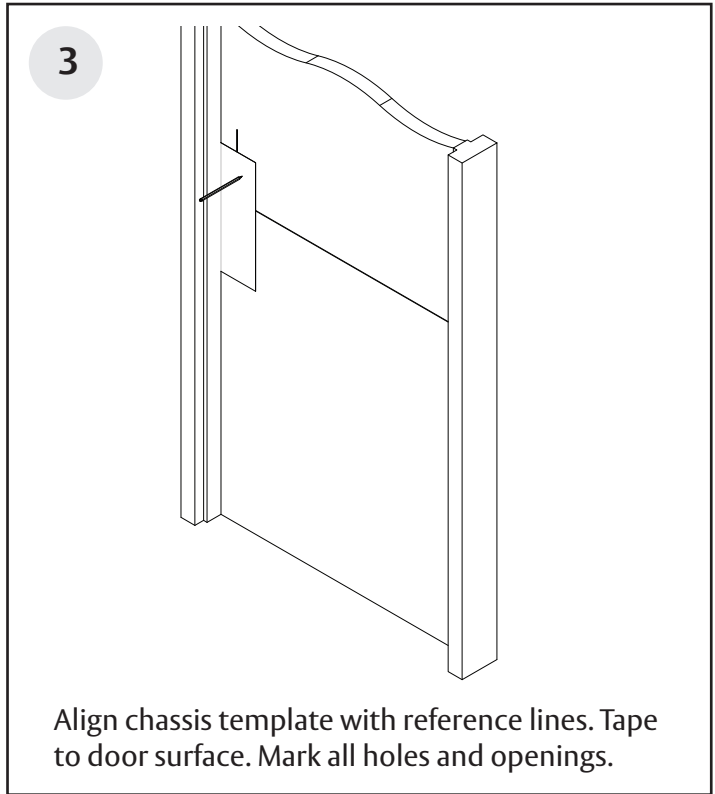
Installation Instructions



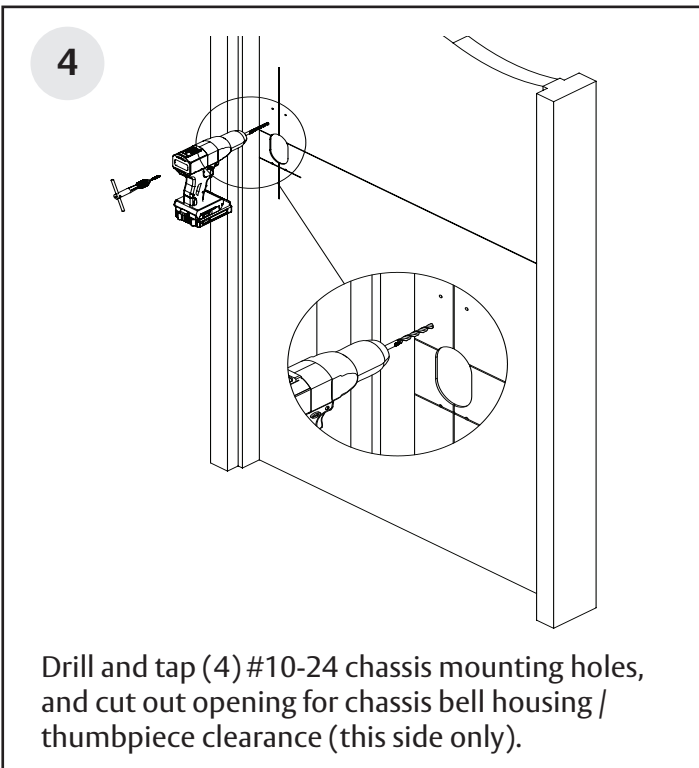
ASSA ABLOY



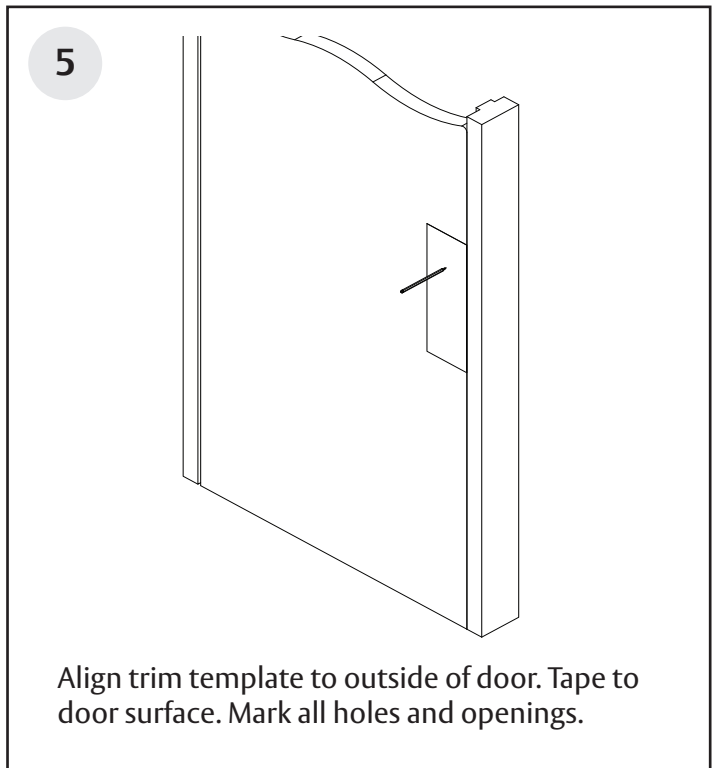
Extend rail horizontal centerline.



Align chassis template with reference lines. Tape to door surface. Mark all holes and openings.



Drill and tap (4) #10-24 chassis mounting holes, and cut out opening for chassis bell housing / thumbpiece clearance (this side only).



Align trim template to outside of door. Tape to door surface. Mark all holes and openings.

For installation assistance contact Corbin Russwin
1-800-543-3658 • techsupport.corbinrusswin@assaabloy.com

Copyright © 2022, ASSA ABLOY Access and Egress Hardware Group, Inc. All rights reserved.
Reproduction in whole or in part without the express written permission of ASSA ABLOY Access and Egress Hardware Group, Inc. is prohibited.

FM576 9/22

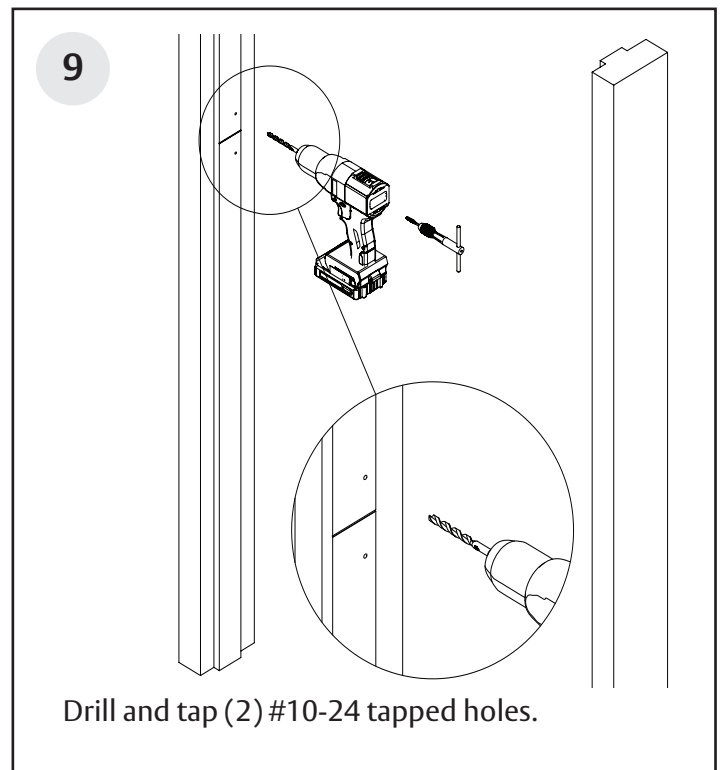
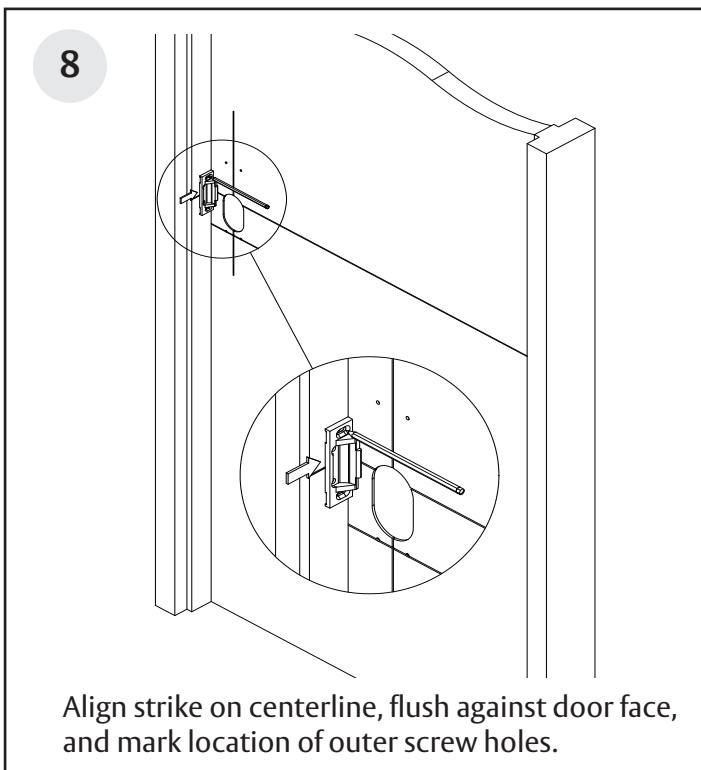
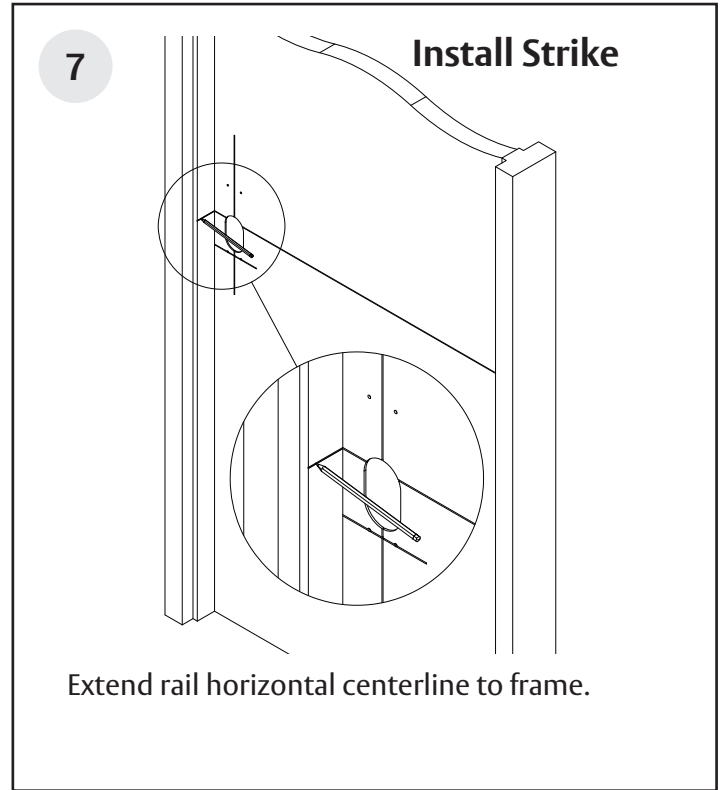
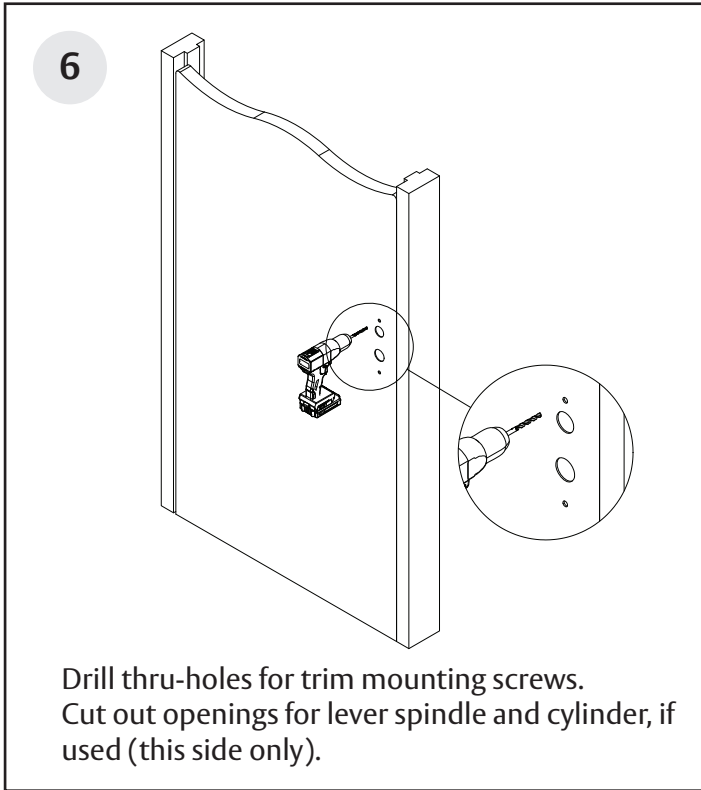
PED5200 & PED5200 A Series

Rim Exit Device for 10T, 55T, 42, & 42T Functions

Installation Instructions



ASSA ABLOY



For installation assistance contact Corbin Russwin
1-800-543-3658 • techsupport.corbinrusswin@assaabloy.com

Copyright © 2022, ASSA ABLOY Access and Egress Hardware Group, Inc. All rights reserved.
Reproduction in whole or in part without the express written permission of ASSA ABLOY Access and Egress Hardware Group, Inc. is prohibited.

FM576 9/22

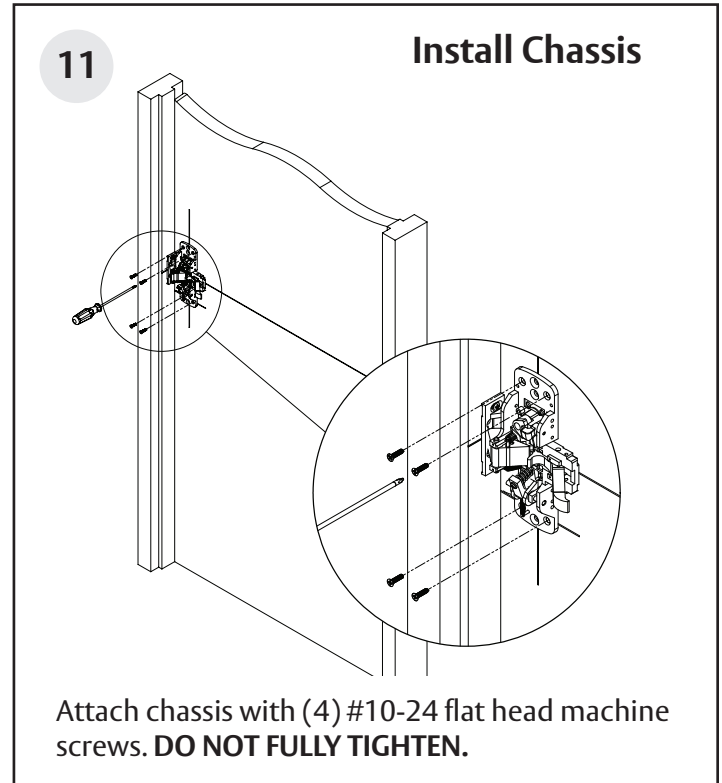
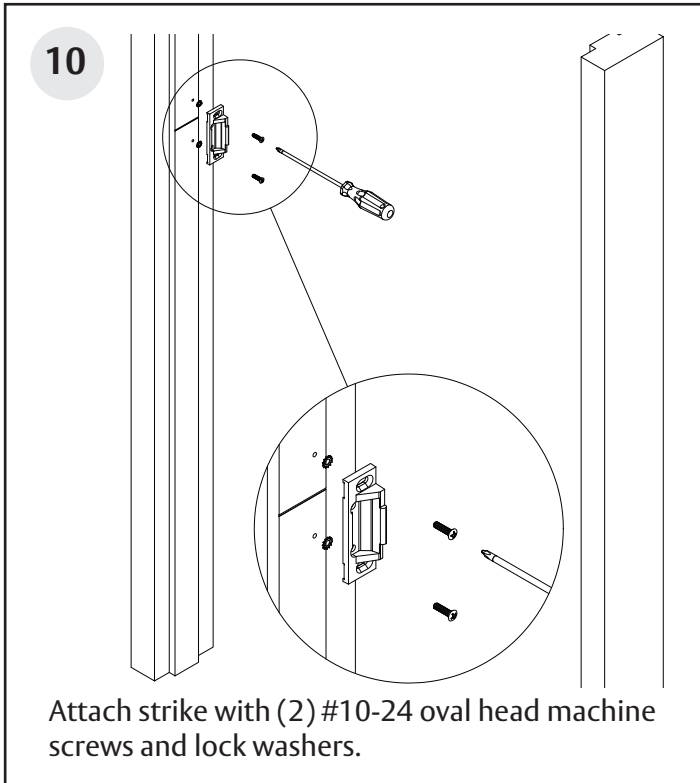
PED5200 & PED5200 A Series

Rim Exit Device for 10T, 55T, 42, & 42T Functions

Installation Instructions

Corbin
Russwin

ASSA ABLOY



For installation assistance contact Corbin Russwin
1-800-543-3658 • techsupport.corbinrusswin@assaabloy.com

Copyright © 2022, ASSA ABLOY Access and Egress Hardware Group, Inc. All rights reserved.
Reproduction in whole or in part without the express written permission of ASSA ABLOY Access and Egress Hardware Group, Inc. is prohibited.

PED5200 & PED5200 A Series

Rim Exit Device for 10T, 55T, 42, & 42T Functions



ASSA ABLOY

Installation Instructions


Rail cutting guide

If the rail doesn't need to be cut, continue to page 10, step 12.

If the rail must be cut, follow these steps on page 8 and 9:

Refer to the individual exit device installation instructions for rail cutting requirements / restrictions. Instructions will vary based on device type and options.

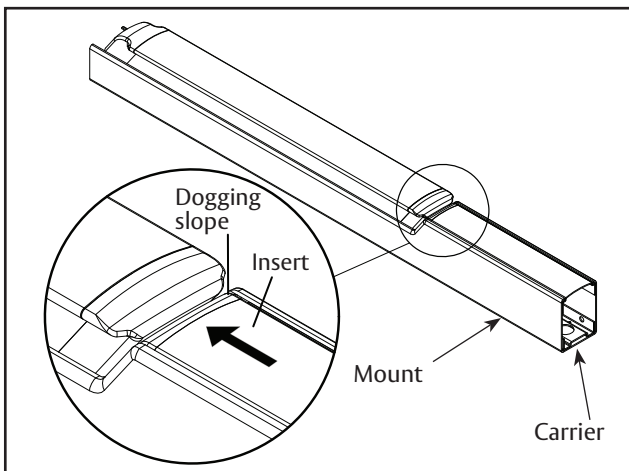
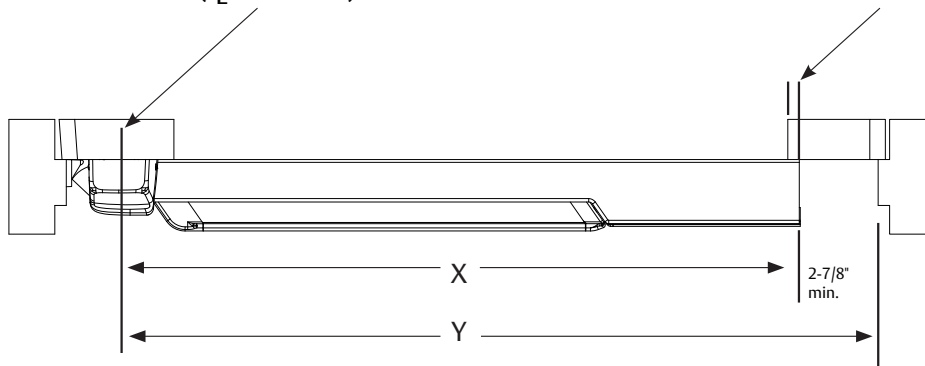
- Determine cut off dimension "X" by subtracting 2-7/8" from dimension "Y". Mark cut off point on mounting rail. (See below.)

 Do not cut closer than 1-5/8" from the the front edge of the rail insert.

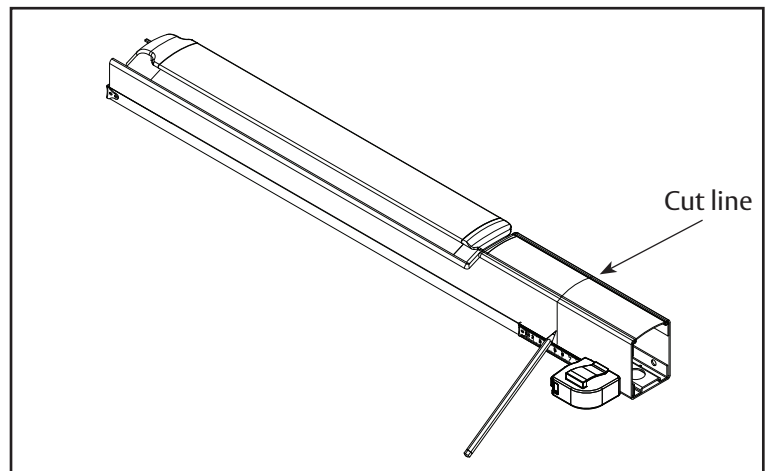
Information for Cutting Rails		
Rail Sizes	Door Widths	
	Standard	Minimum
W032	32"	24"
W036 (Std.)	36"	33"
W042	42"	37"
W048	48"	43"

Vertical reference line (Q of chassis)

For doors with stile rail, the stile must overlap by 5/16" min.



A. Ensure there isn't a gap between the insert and the dogging slope, and the carrier is flush with the mount.



B. Mark rail at the required cut length.

For installation assistance contact Corbin Russwin
1-800-543-3658 • techsupport.corbinrusswin@assaabloy.com

Copyright © 2022, ASSA ABLOY Access and Egress Hardware Group, Inc. All rights reserved. Reproduction in whole or in part without the express written permission of ASSA ABLOY Access and Egress Hardware Group, Inc. is prohibited.

FM576 9/22

PED5200 & PED5200 A Series

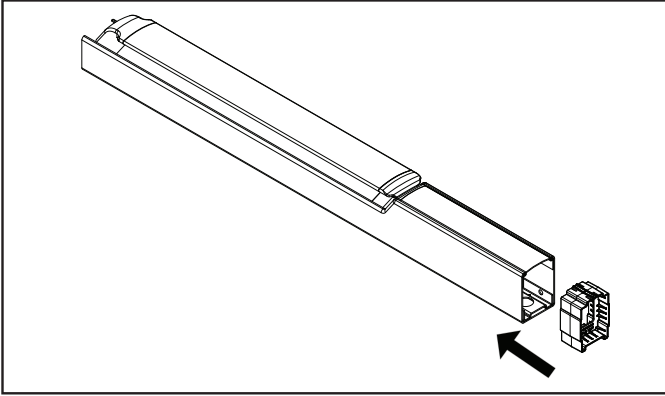
Rim Exit Device for 10T, 55T, 42, & 42T Functions

Installation Instructions

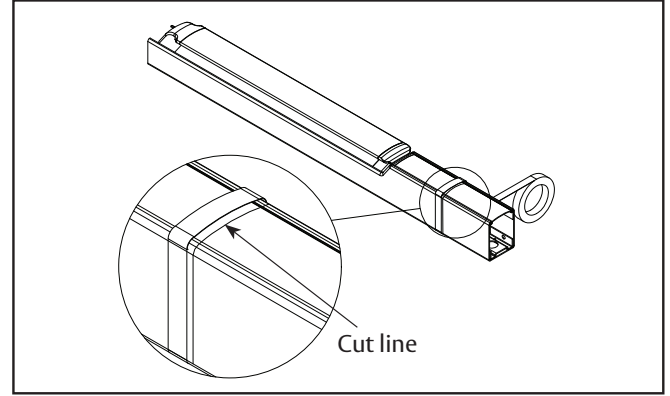


ASSA ABLOY

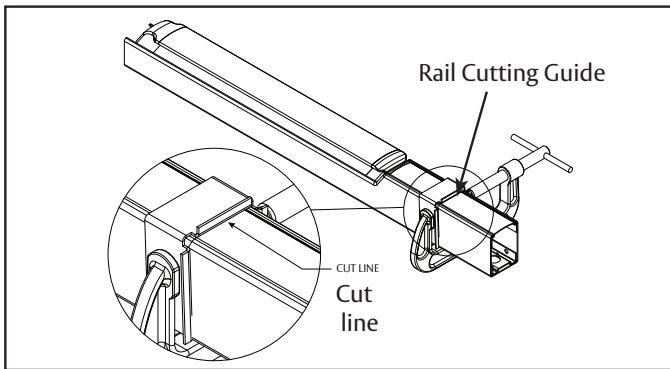
Rail cutting guide, continued.



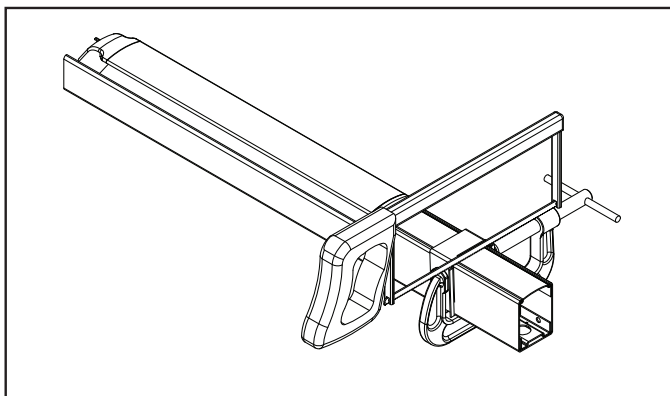
C. Ensure plastic insert support is installed under the cut line.



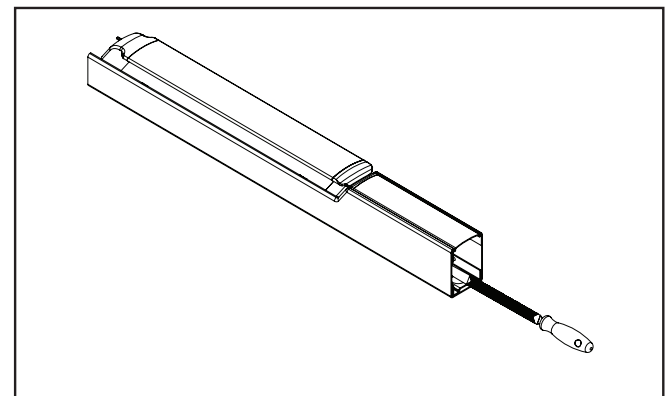
D. Wrap the rail and insert in masking tape, as shown.



E. Place the rail cutting guide over the masking tape and align it with the cut line. Clamp the cut guide to the rail using a C-clamp.



F. Using a hack saw with a new blade or a chop saw with a metal cutting blade, cut the rail, ensuring that the blade stays pressed against the rail cutting guide.



G. Deburr and smooth all cut edges with a file.

For installation assistance contact Corbin Russwin
1-800-543-3658 • techsupport.corbinrusswin@assaabloy.com

Copyright © 2022, ASSA ABLOY Access and Egress Hardware Group, Inc. All rights reserved.
Reproduction in whole or in part without the express written permission of ASSA ABLOY Access and Egress Hardware Group, Inc. is prohibited.

FM576 9/22

PED5200 & PED5200 A Series

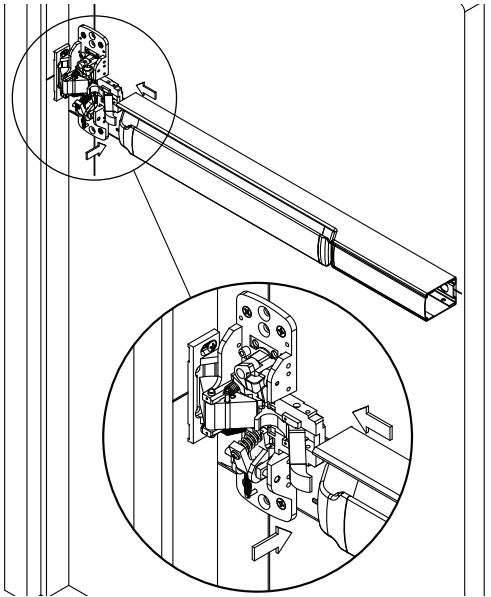
Rim Exit Device for 10T, 55T, 42, & 42T Functions

Installation Instructions



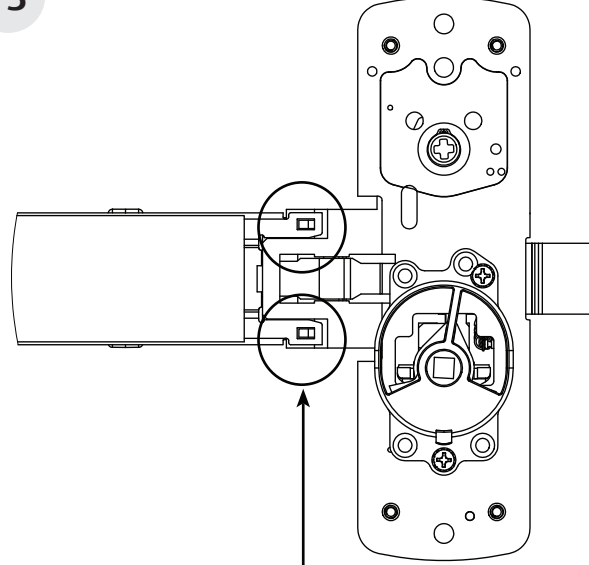
ASSA ABLOY

12 **Install Rail Assembly**



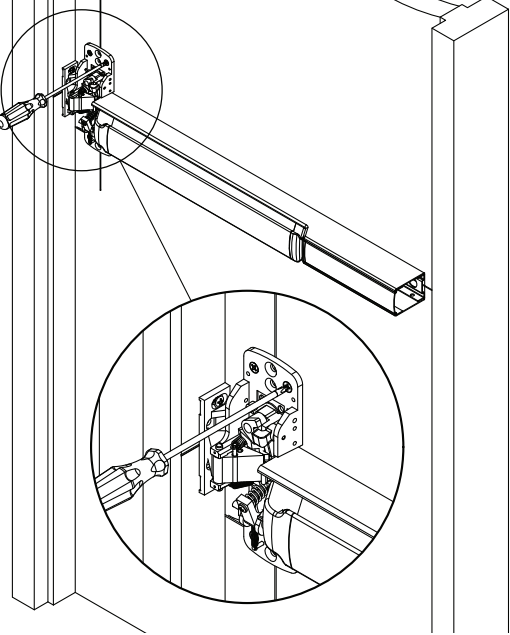
Depress chassis lift arm. Slide rail assembly onto chassis.

13



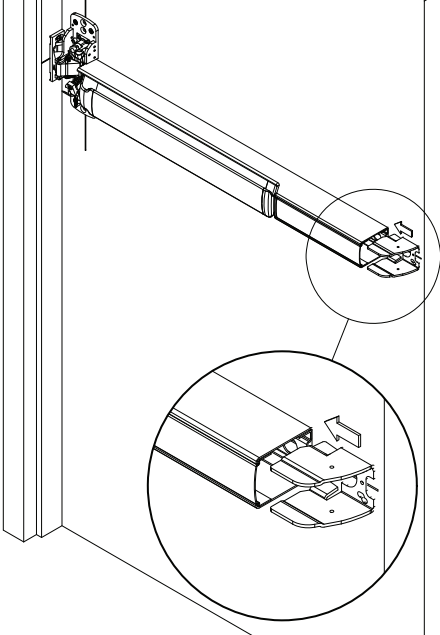
Ensure rail carrier tabs are aligned with chassis.

14



Tighten chassis mounting screws.

15



Insert the end cap bracket into the rail assembly.

For installation assistance contact Corbin Russwin
1-800-543-3658 • techsupport.corbinrusswin@assaabloy.com

Copyright © 2022, ASSA ABLOY Access and Egress Hardware Group, Inc. All rights reserved.
Reproduction in whole or in part without the express written permission of ASSA ABLOY Access and Egress Hardware Group, Inc. is prohibited.

FM576 9/22

PED5200 & PED5200 A Series

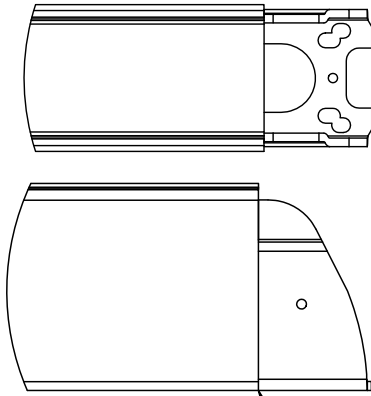
Rim Exit Device for 10T, 55T, 42, & 42T Functions

Installation Instructions



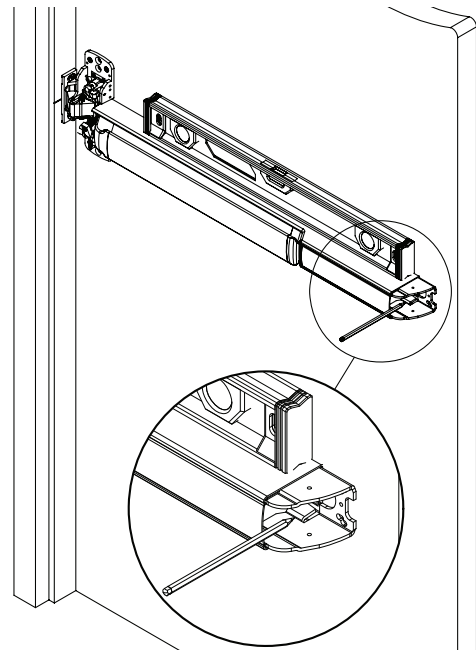
ASSA ABLOY

16



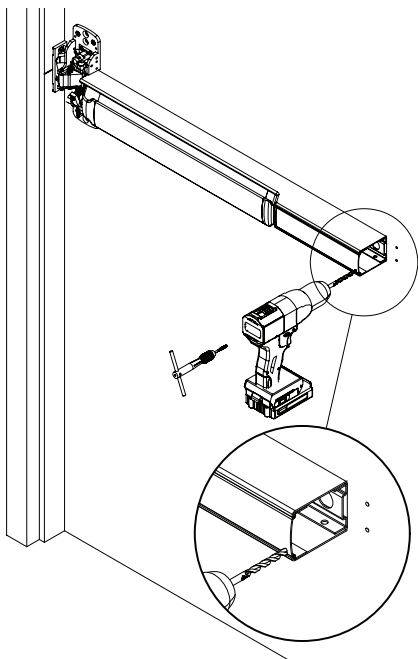
Ensure mounting rail bracket is against the rail without a gap.

17



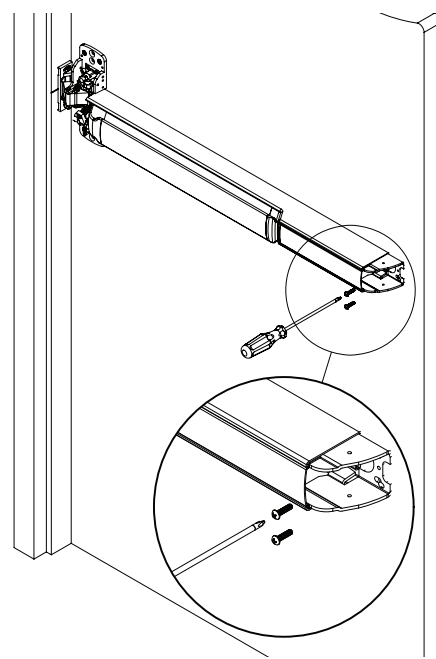
Level the rail and mark mounting holes, using the bracket as a guide.

18



Drill and tap end cap bracket holes #10-24 (2 places).

19



Attach mounting bracket with (2) #10-24 round head machine screws.

For installation assistance contact Corbin Russwin
1-800-543-3658 • techsupport.corbinrusswin@assaabloy.com

Copyright © 2022, ASSA ABLOY Access and Egress Hardware Group, Inc. All rights reserved.
Reproduction in whole or in part without the express written permission of ASSA ABLOY Access and Egress Hardware Group, Inc. is prohibited.

FM576 9/22

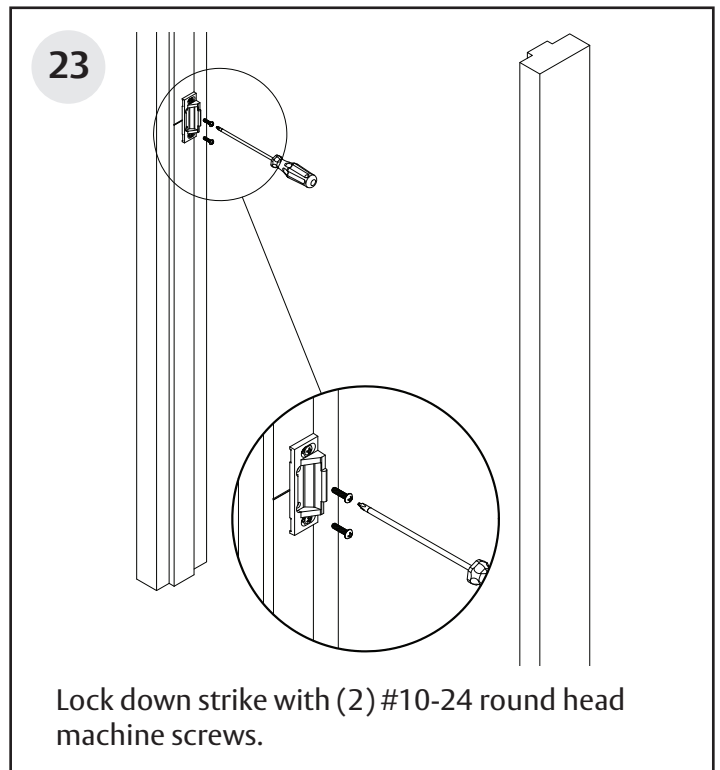
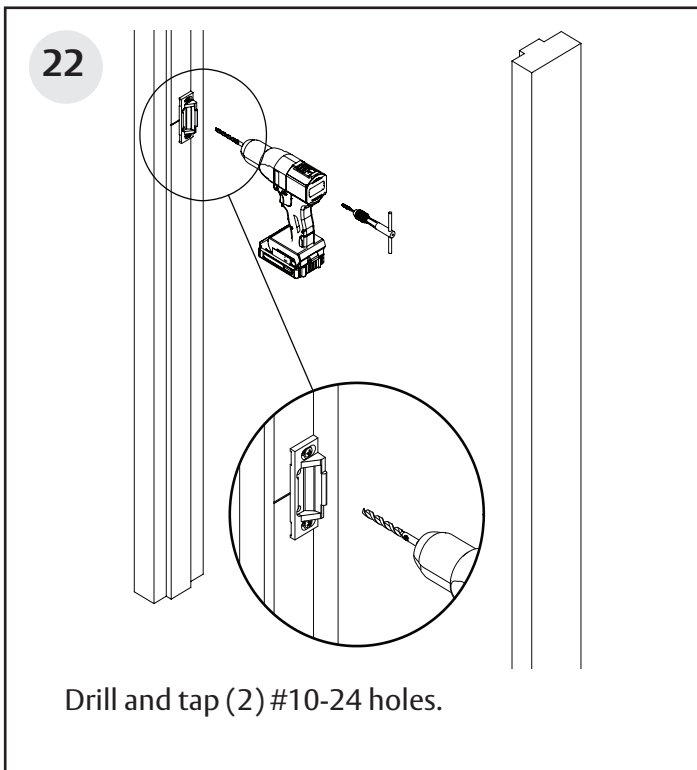
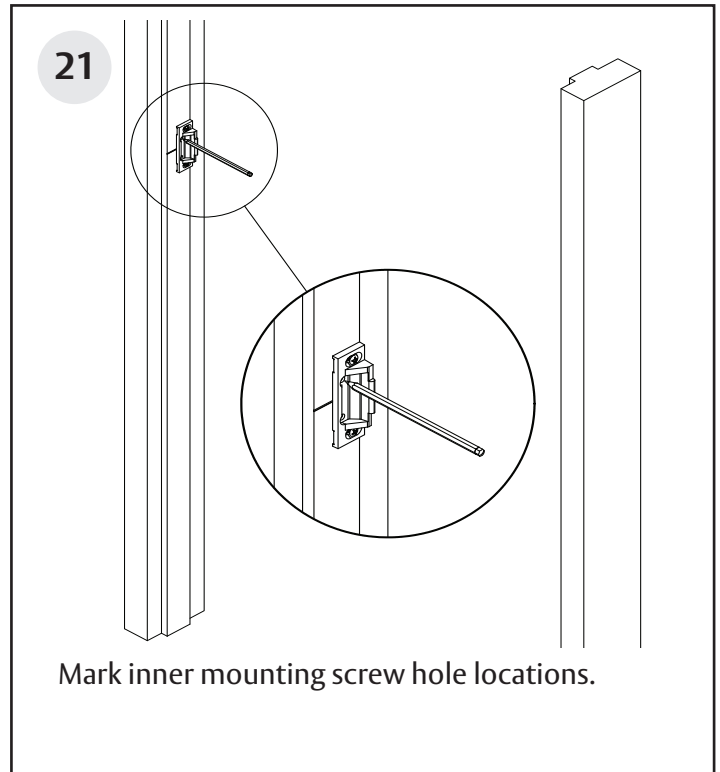
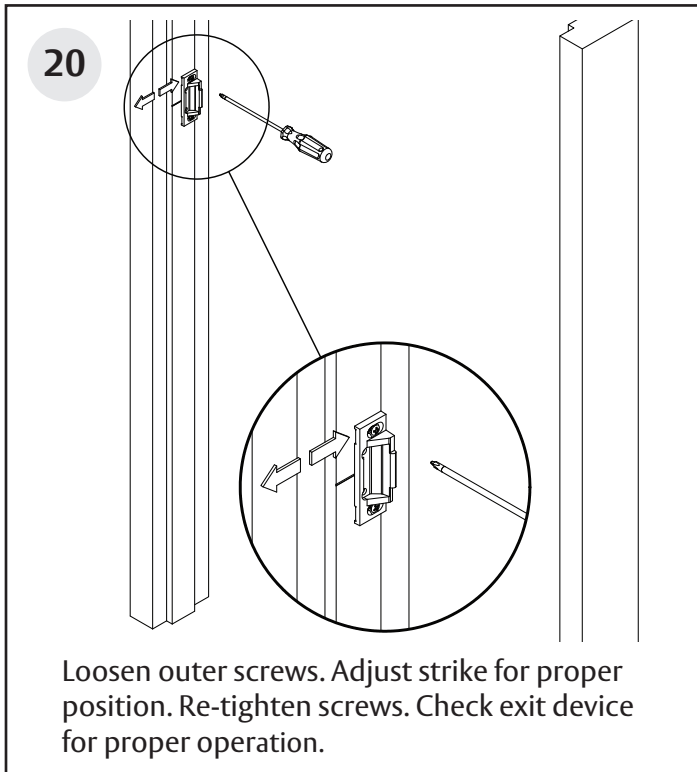
PED5200 & PED5200 A Series

Rim Exit Device for 10T, 55T, 42, & 42T Functions

Installation Instructions



ASSA ABLOY

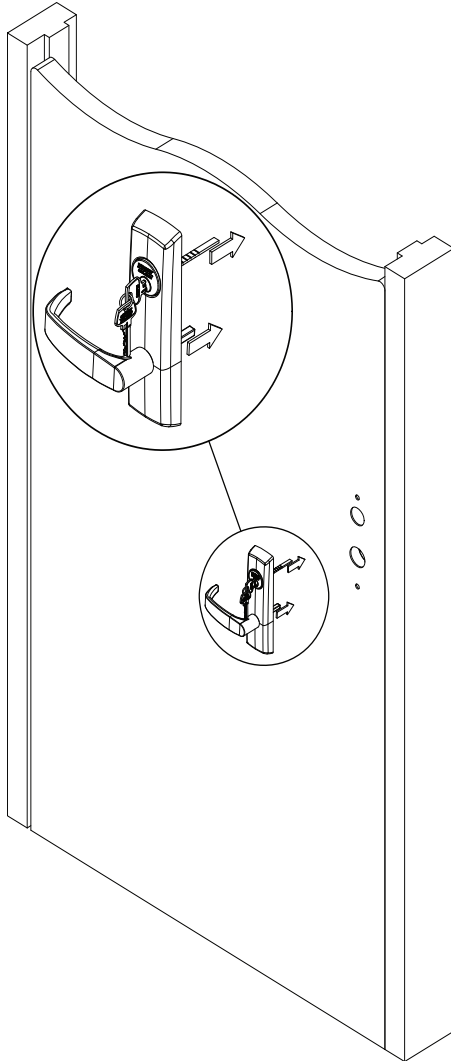


For installation assistance contact Corbin Russwin
1-800-543-3658 • techsupport.corbinrusswin@assaabloy.com

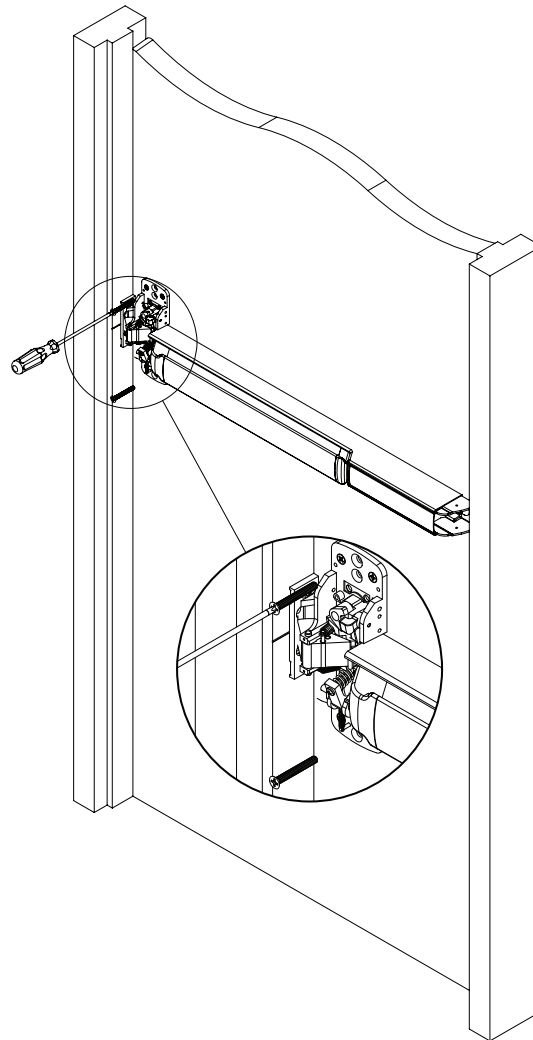
Copyright © 2022, ASSA ABLOY Access and Egress Hardware Group, Inc. All rights reserved.
Reproduction in whole or in part without the express written permission of ASSA ABLOY Access and Egress Hardware Group, Inc. is prohibited.

FM576 9/22

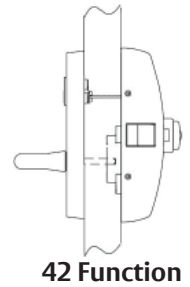
24 Install 800PT / 900PT Series Exit Trim



Insert trim. Ensure lever spindle aligns with bell housing hub and rim cylinder tailpiece aligns with upper spindle hub in chassis (if used).

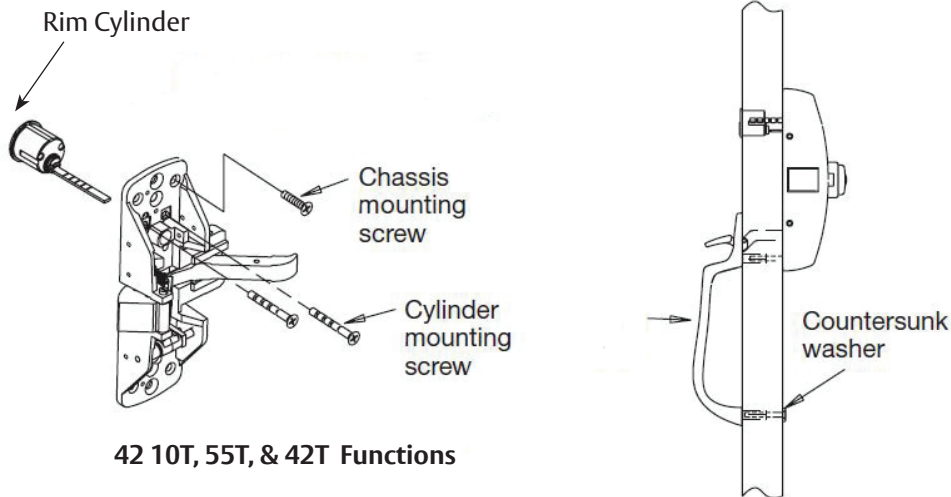


Secure trim with (2) 1/4 - 20 flat head machine screws through chassis. If used, attach rim cylinder through chassis with screws provided with cylinder.



42 Function

24a Install T33, T34, and T35 Thumbpiece Trim

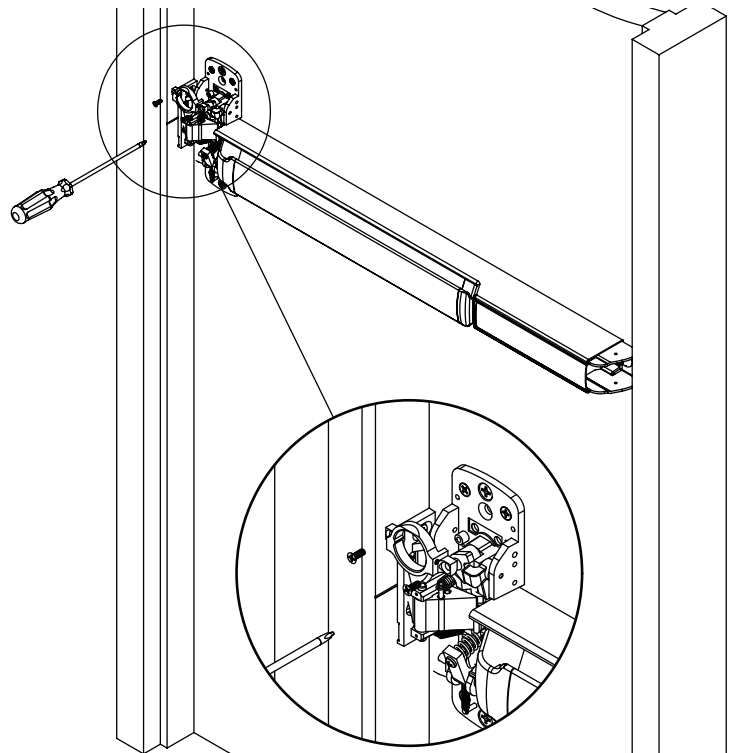


Mount rim cylinder with (2) screws through chassis.

10T, 55T & 42T Function

25 Install Chassis Cylinder (PED5242 and PED5242T)

Install cylinder support with (2) #8-32 flat head machine screws.



PED5200 & PED5200 A Series

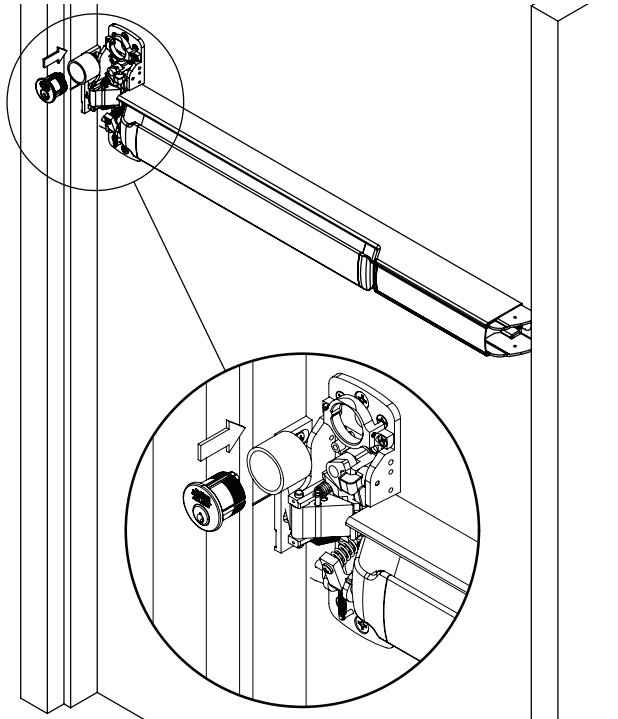
Rim Exit Device for 10T, 55T, 42, & 42T Functions

Installation Instructions

**Corbin
Russwin**

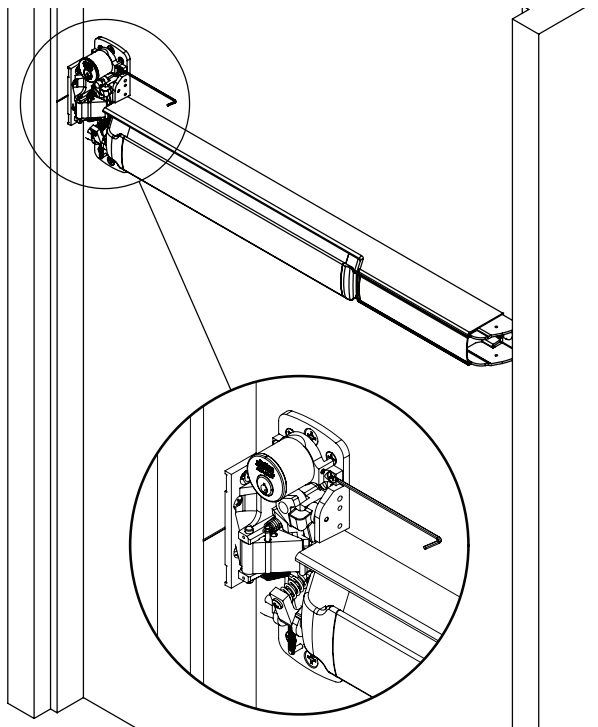
ASSA ABLOY

26



Insert mortise cylinder through blocking ring into cylinder support.

27



Tighten set screw with 5/64" wrench.

For installation assistance contact Corbin Russwin
1-800-543-3658 • techsupport.corbinrusswin@assaabloy.com

Copyright © 2022, ASSA ABLOY Access and Egress Hardware Group, Inc. All rights reserved.
Reproduction in whole or in part without the express written permission of ASSA ABLOY Access and Egress Hardware Group, Inc. is prohibited.

PED5200 & PED5200 A Series

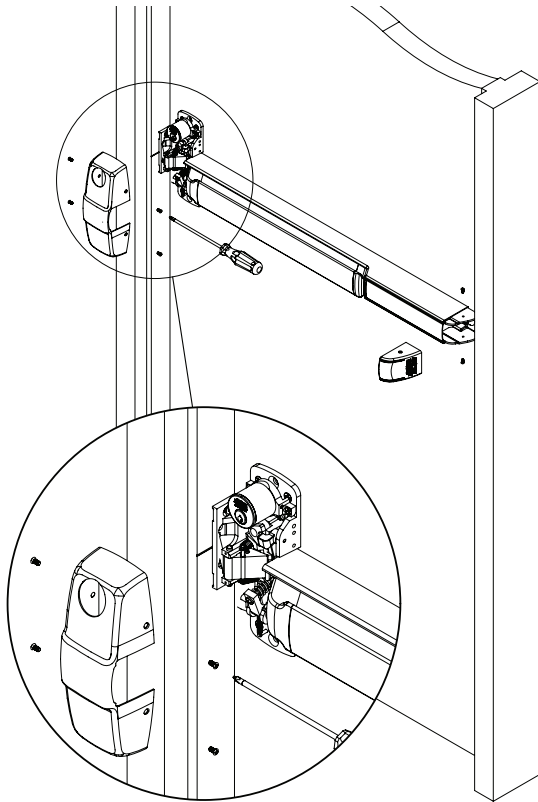
Rim Exit Device for 10T, 55T, 42, & 42T Functions

Installation Instructions



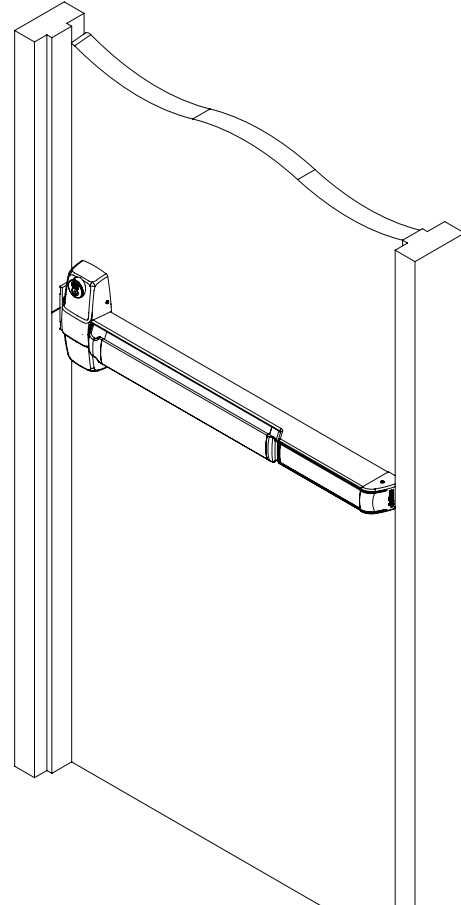
ASSA ABLOY

28 Install Covers



Attach chassis cover and end cap using (6) #8-32 machine screws.

29



Check for proper operation.

For installation assistance contact Corbin Russwin
1-800-543-3658 • techsupport.corbinrusswin@assaabloy.com

Copyright © 2022, ASSA ABLOY Access and Egress Hardware Group, Inc. All rights reserved.
Reproduction in whole or in part without the express written permission of ASSA ABLOY Access and Egress Hardware Group, Inc. is prohibited.

FM576 9/22

PED5200 & PED5200 A Series

Rim Exit Device for 10T, 55T, 42, & 42T Functions

Installation Instructions



For installation assistance contact Corbin Russwin
1-800-543-3658 • techsupport.corbinrusswin@assaabloy.com

Copyright © 2022, ASSA ABLOY Access and Egress Hardware Group, Inc. All rights reserved.
Reproduction in whole or in part without the express written permission of ASSA ABLOY Access
and Egress Hardware Group, Inc. is prohibited.

PED5200 & PED5200 A Series

Rim Exit Device for 10T, 55T, 42, & 42T Functions

Installation Instructions



For installation assistance contact Corbin Russwin
1-800-543-3658 • techsupport.corbinrusswin@assaabloy.com

Copyright © 2022, ASSA ABLOY Access and Egress Hardware Group, Inc. All rights reserved.
Reproduction in whole or in part without the express written permission of ASSA ABLOY Access
and Egress Hardware Group, Inc. is prohibited.

FM576 9/22

