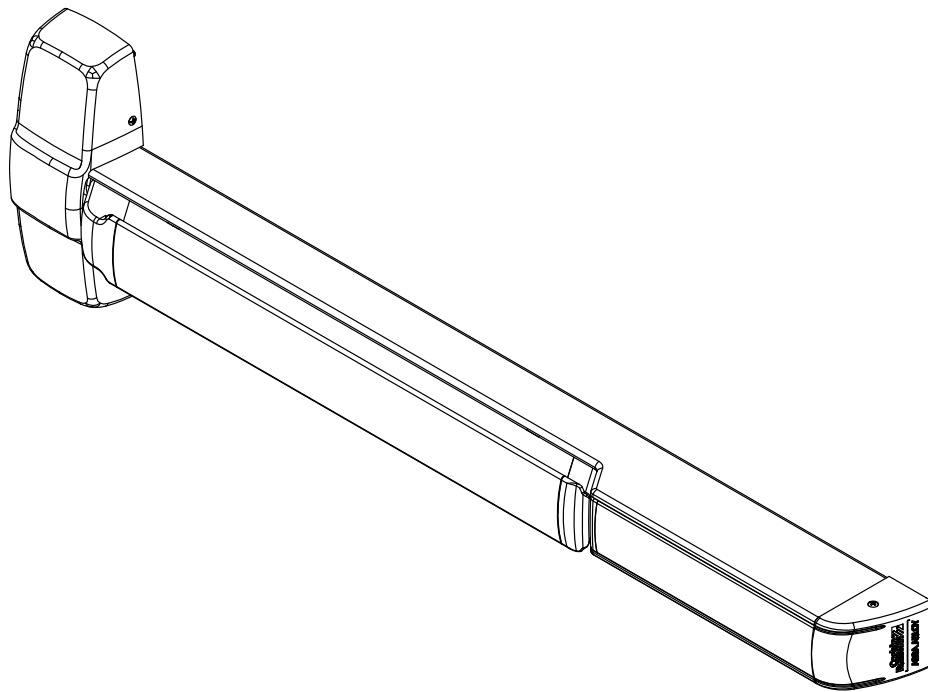


Installation Instructions



PED5200 Series - Standard, Fire Rated, & Windstorm Rated

Rim Exit Devices With All Standard Trim



WARNING

This product can expose you to lead which is known to the state of California to cause cancer and birth defects or other reproductive harm. For more information go to www.P65warnings.ca.gov.

WARNING

Attention Installer: Improper installation may result in damage to the product and void the factory warranty.

For installation assistance contact Corbin Russwin
1-800-543-3658 • techsupport.corbinrusswin@assaabloy.com

Copyright © 2023, ASSA ABLOY Access and Egress Hardware Group, Inc. All rights reserved.
Reproduction in whole or in part without the express written permission of ASSA ABLOY Access and Egress Hardware Group, Inc. is prohibited.

FMS77 1/23

Experience a safer
and more open world

PED5200 Series - Standard, Fire Rated, & Windstorm Rated

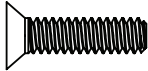

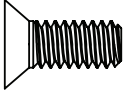




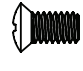
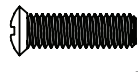
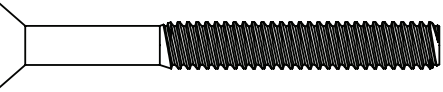


ASSA ABLOY

Rim Exit Devices With All Standard Trim

Installation Instructions

Screw Chart

| SCREW | TOTAL QTY SUPPLIED | WHERE USED |
|---|--------------------|---|
|  #10-24 X 3/4" FLAT HEAD MACHINE SCREW | 4 | (4) CHASSIS CORNER MOUNTING HOLES (METAL DOOR) |
|  #10 X 1-1/4" FLAT HEAD WOOD SCREW | 4 | (4) CHASSIS CORNER MOUNTING HOLES (WOOD DOOR) |
|  1/4"-20 X 5/8" FLAT HEAD MACHINE SCREW | 2 | (2) CHASSIS INNER MOUNTING HOLES (METAL DOOR, FIRE RATED) |
|  #10-24 X 3/4" ROUND HEAD MACHINE SCREW | 4 | (2) REAR MOUNTING PLATE (METAL DOOR) (2) 649 STRIKE INNER MOUNTING HOLES |
|  #10 X 1-1/4" ROUND HEAD WOOD SCREW | 2 | (2) REAR MOUNTING PLATE (WOOD DOOR) |
|  #10-24 X 3/4" OVAL HEAD MACHINE SCREW | 2 | (2) 649 STRIKE OUTER MOUNTING HOLES (METAL FRAME) |
|  #10 X 1-1/4" OVAL HEAD WOOD SCREW | 2 | (2) 649 STRIKE OUTER MOUNTING HOLES (WOOD FRAME) |
|  #8-32 X 5/16" W/ #6 OVAL HEAD MACHINE SCREW | 4 | (2) CHASSIS COVER (2) END CAP |
|  #8-32 X 5/8" W/ #6 OVAL HEAD MACHINE SCREW | 2 | (2) CHASSIS COVER RAIL SIDE |
|  1/4"-20 X 2-3/8" KNURLED FLAT HEAD MACHINE SCREW | 2 | (2) EXIT TRIM (IF USED) |

For installation assistance contact Corbin Russwin
1-800-543-3658 • techsupport.corbinrusswin@assaabloy.com

Copyright © 2023, ASSA ABLOY Access and Egress Hardware Group, Inc. All rights reserved.
Reproduction in whole or in part without the express written permission of ASSA ABLOY Access and Egress Hardware Group, Inc. is prohibited.

FM577 1/23

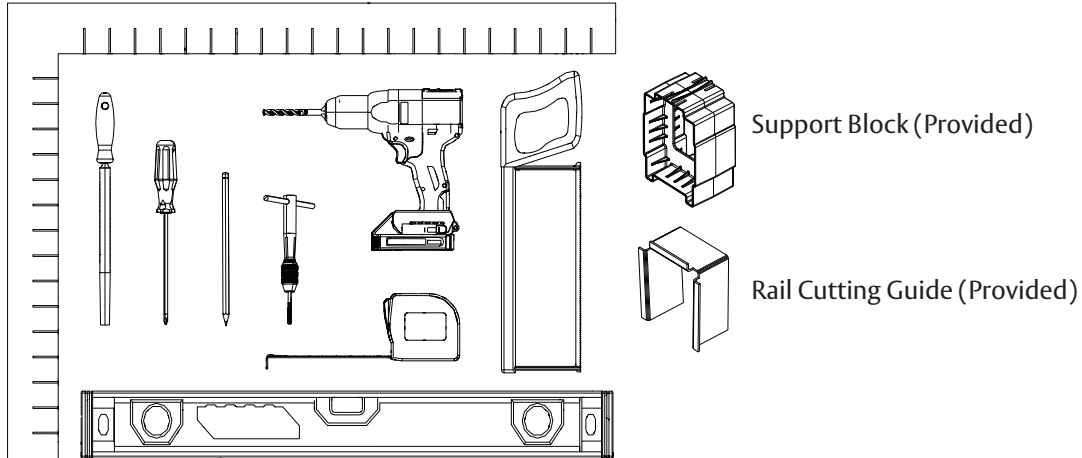
PED5200 Series - Standard, Fire Rated, & Windstorm Rated



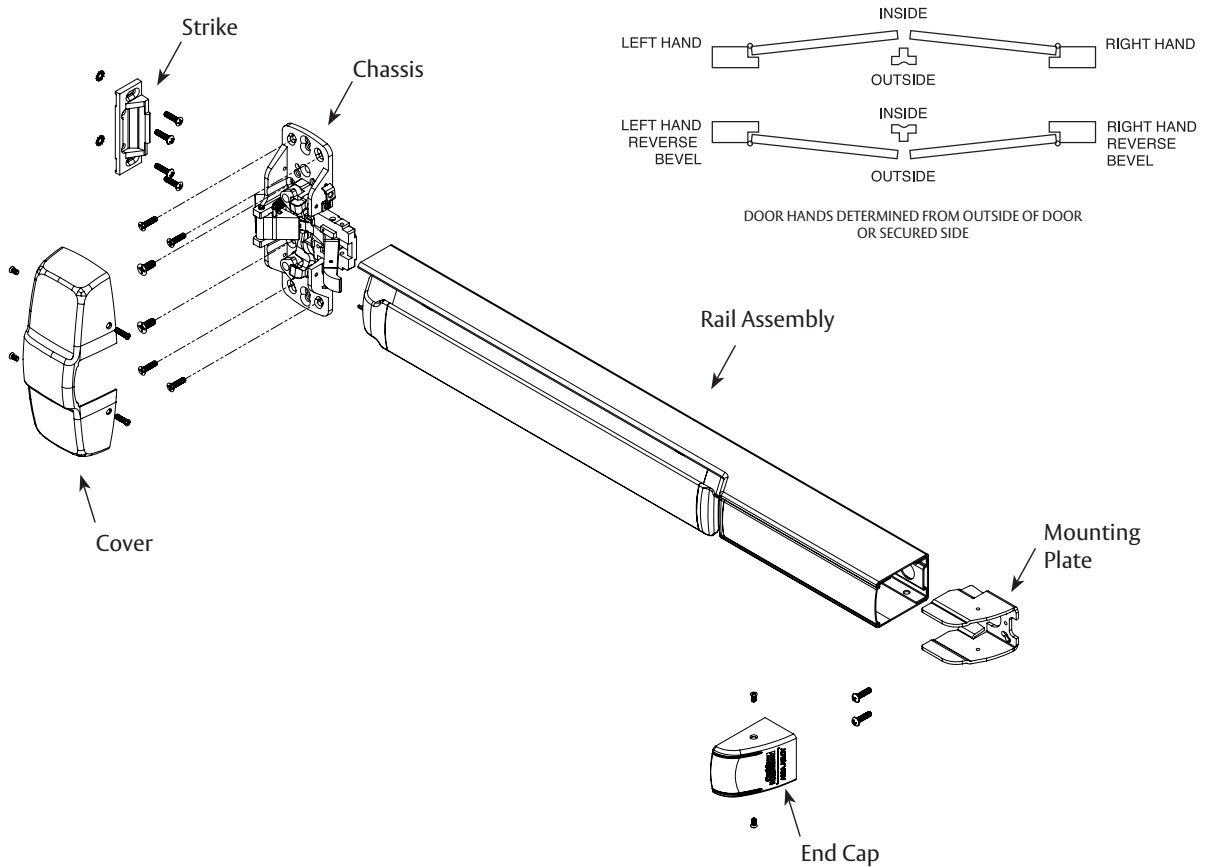
Rim Exit Devices With All Standard Trim

Installation Instructions

Tools Needed



PED5200 & PED5200 A Rim Exit Device Exploded View



For installation assistance contact Corbin Russwin
1-800-543-3658 • techsupport.corbinrusswin@assaabloy.com

Copyright © 2023, ASSA ABLOY Access and Egress Hardware Group, Inc. All rights reserved.
Reproduction in whole or in part without the express written permission of ASSA ABLOY Access and Egress Hardware Group, Inc. is prohibited.

FM577 1/23

PED5200 Series - Standard, Fire Rated, & Windstorm Rated

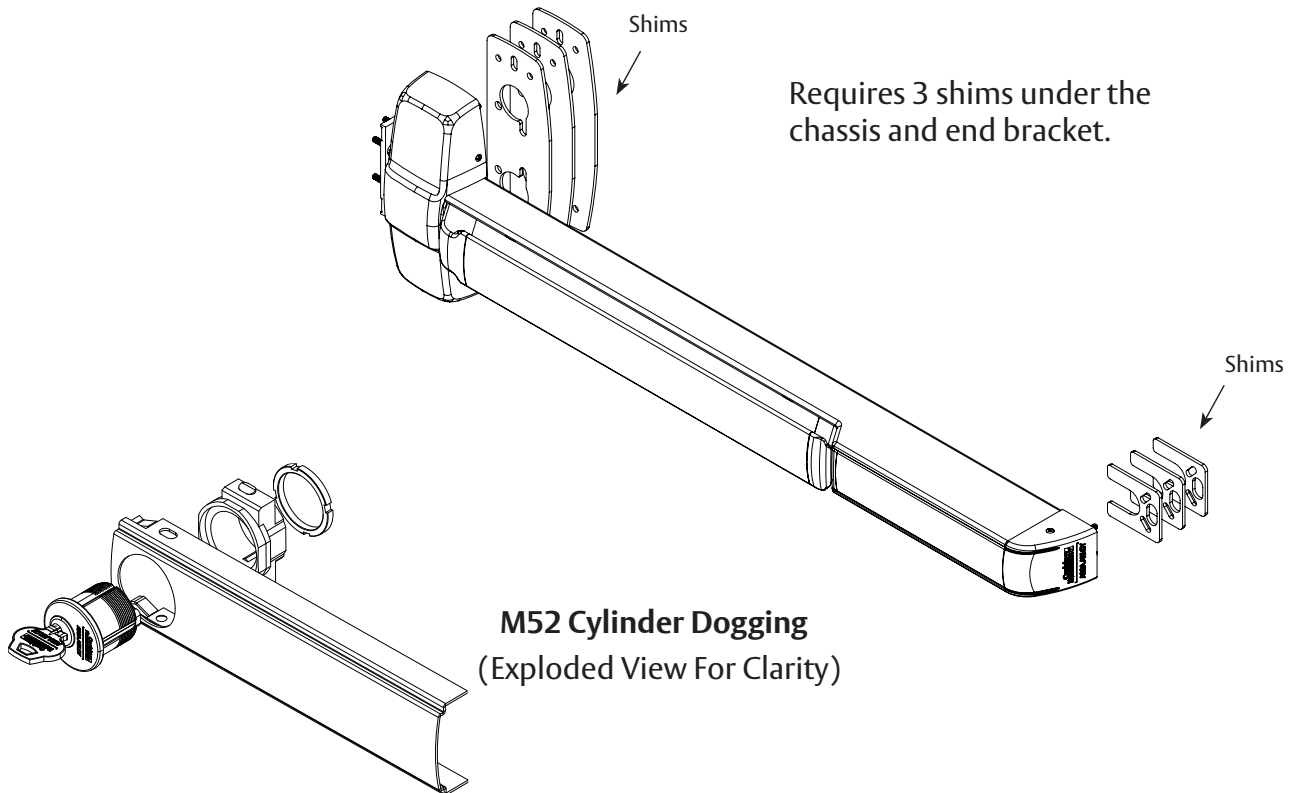


ASSA ABLOY

Rim Exit Devices With All Standard Trim

Installation Instructions

PED5200 M107 & PED5200 A Rim Exit Device Exploded View



Requires 3 shims under the chassis and end bracket.

M52 Cylinder Dogging
(Exploded View For Clarity)

PED5200 HC & PED5200 A HC Rim Exit Device

(Not Shown)

Requires 2 shims under the chassis and end bracket.



Before installation:

1. Install mullion, if used.
2. Fit and hang door.
3. Check the box's label for the size of the exit device.
4. For wood doors, use wood screws and prep accordingly.



The surface of the door where the exit device is to be applied must be flush. Clear away any raised projections to allow exit device to rest on the flat surface of the door. If shim kit is required, contact your distributor.

Note: Please refer to trim and other installation instructions provided in the box.

For installation assistance contact Corbin Russwin
1-800-543-3658 • techsupport.corbinrusswin@assaabloy.com

Copyright © 2023, ASSA ABLOY Access and Egress Hardware Group, Inc. All rights reserved.
Reproduction in whole or in part without the express written permission of ASSA ABLOY Access and Egress Hardware Group, Inc. is prohibited.

FM577 1/23

PED5200 Series - Standard, Fire Rated, & Windstorm Rated

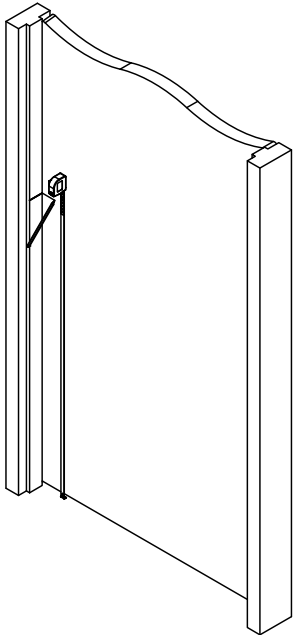


ASSA ABLOY

Rim Exit Devices With All Standard Trim

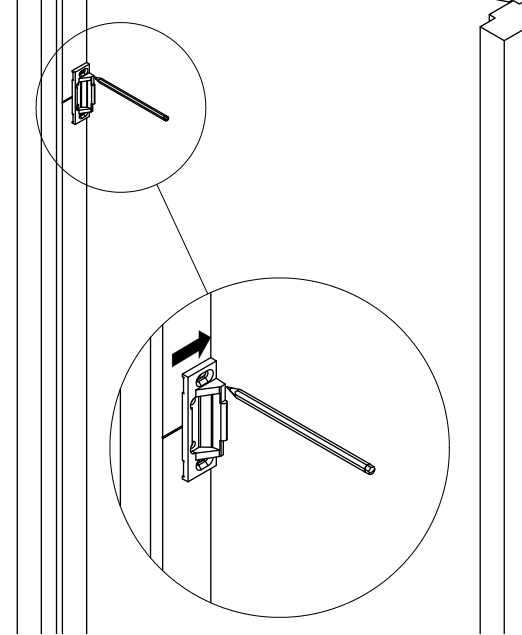
Installation Instructions

1



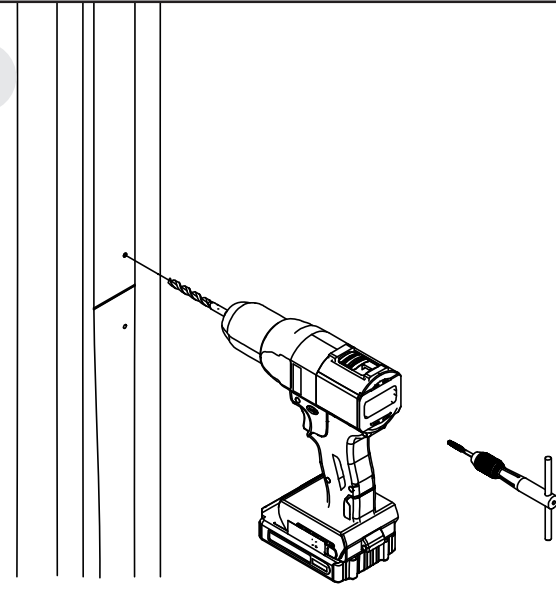
Measure 39-5/8" from the finished floor and mark door and frame.

2



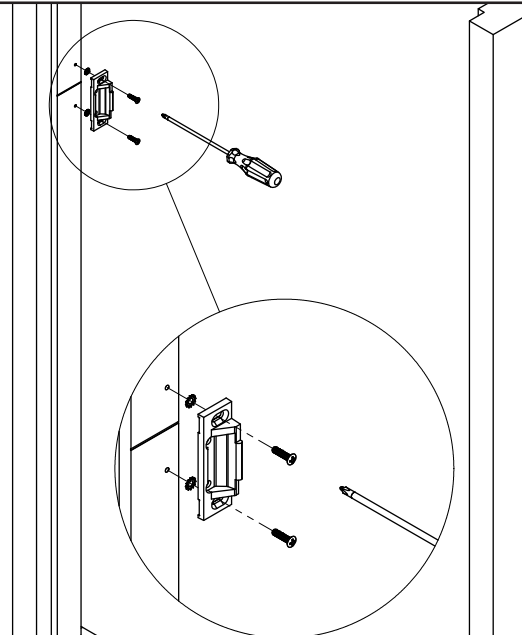
Place strike against frame, centered on the line marked in Step 1. With the strike pressed against the closed door, trace upper and lower strike slots.

3



Drill and tap outer strike holes #10-24 (2 places).

4



Install strike using oval head Phillips #10-24 x 3/4" screws and washers supplied.

For installation assistance contact Corbin Russwin
1-800-543-3658 • techsupport.corbinrusswin@assaabloy.com
Copyright © 2023, ASSA ABLOY Access and Egress Hardware Group, Inc. All rights reserved.
Reproduction in whole or in part without the express written permission of ASSA ABLOY Access and Egress Hardware Group, Inc. is prohibited.

FM577 1/23

PED5200 Series - Standard, Fire Rated, & Windstorm Rated

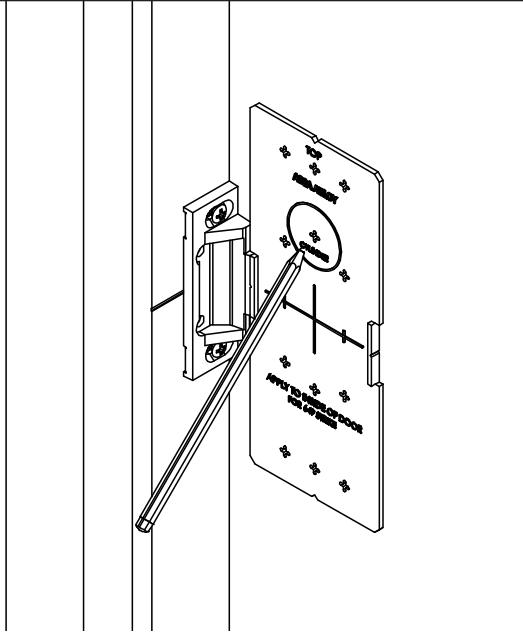


ASSA ABLOY

Rim Exit Devices With All Standard Trim

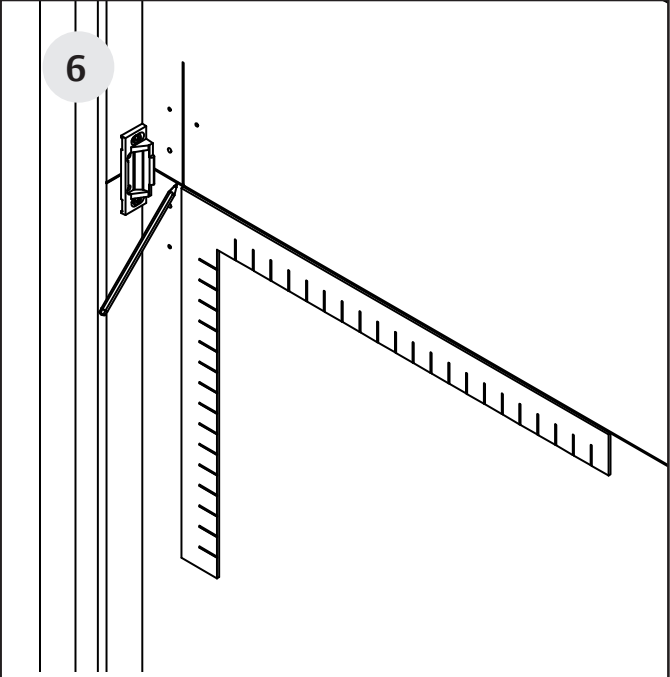
Installation Instructions

5



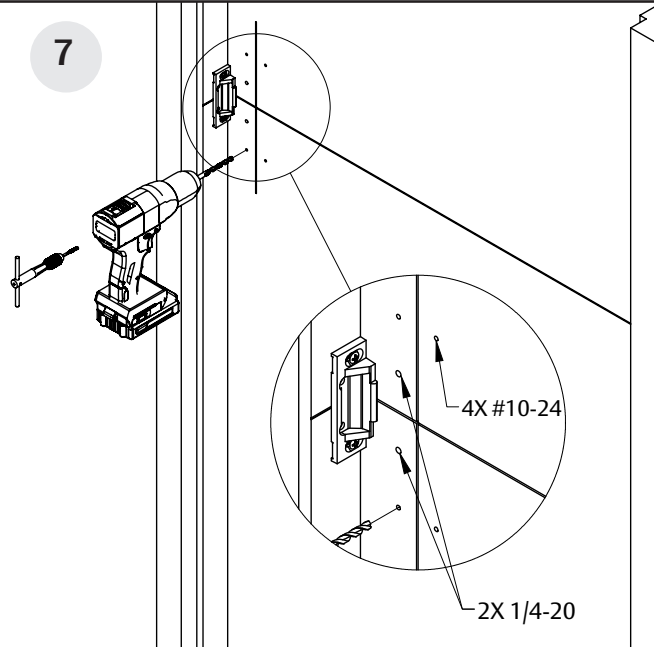
Place supplied plastic template against the strike. Mark centerlines and mounting holes per device function.

6



Using a square, extend centerline marks created in Step 5.

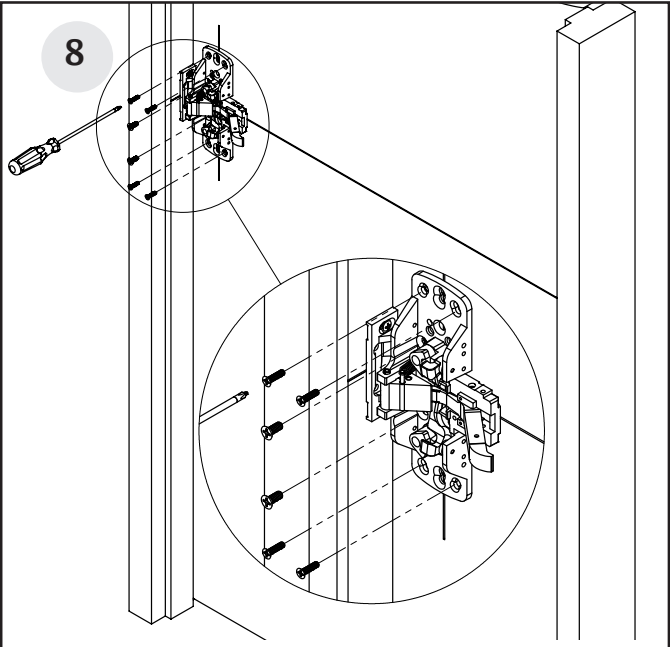
7



Prepare chassis mounting holes.

- 2X 1/4-20 and 4X #10-24 Thread.
- Refer to supplied trim template as needed.

8



Install chassis mounting screws. **DO NOT FULLY TIGHTEN SCREWS.** If using thumbpiece trim/pull, reference steps 20b & 20c before proceeding.

For installation assistance contact Corbin Russwin
1-800-543-3658 • techsupport.corbinrusswin@assaabloy.com

Copyright © 2023, ASSA ABLOY Access and Egress Hardware Group, Inc. All rights reserved.
Reproduction in whole or in part without the express written permission of ASSA ABLOY Access and Egress Hardware Group, Inc. is prohibited.

FM577 1/23

PED5200 Series - Standard, Fire Rated, & Windstorm Rated



Rim Exit Devices With All Standard Trim

Installation Instructions


Rail cutting guide

If the rail doesn't need to be cut, continue to page 9, step 9.
If the rail must be cut, follow these steps on page 7 and 8:

Refer to the individual exit device installation instructions for rail cutting requirements / restrictions. Instructions will vary based on device type and options.

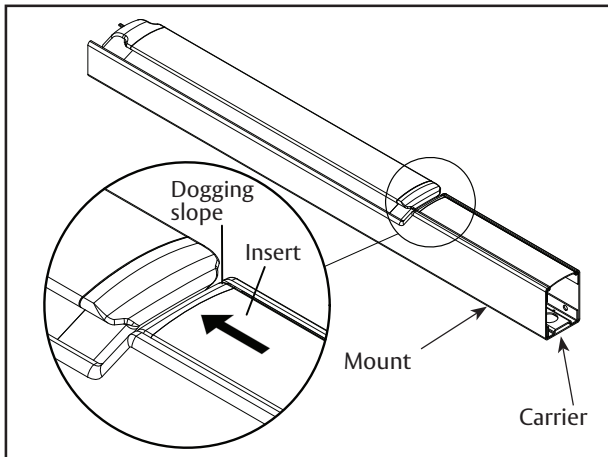
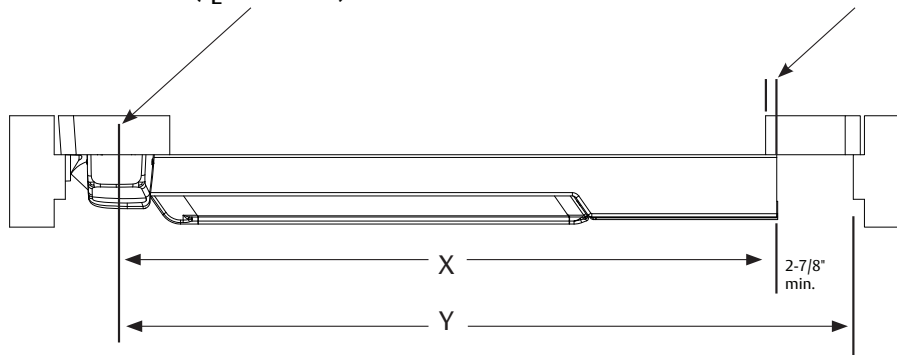
- Determine cut off dimension "X" by subtracting 2-7/8" from dimension "Y". Mark cut off point on mounting rail. (See below.)

| Information for Cutting Rails | | |
|-------------------------------|-------------|---------|
| Rail Sizes | Door Widths | |
| | Standard | Minimum |
| W032 | 32" | 24" |
| W036 (Std.) | 36" | 33" |
| W042 | 42" | 37" |
| W048 | 48" | 43" |

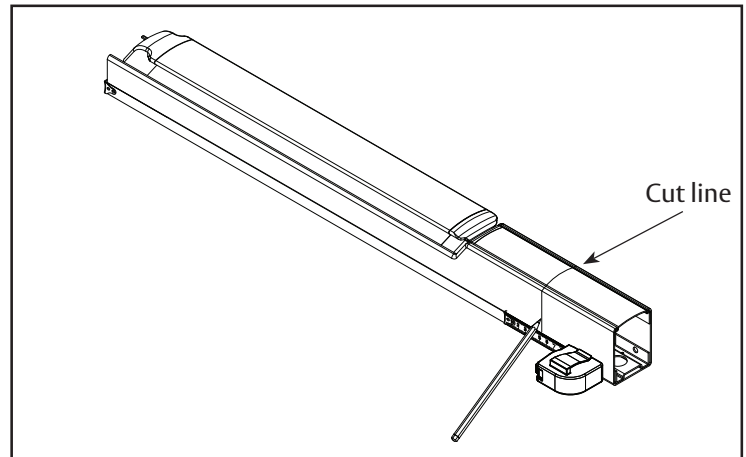
 Do not cut closer than 1-5/8" from the the front edge of the rail insert.

Vertical reference line (C of chassis)

For doors with stile rail, the stile must overlap by 5/16" min.



A. Ensure there isn't a gap between the insert and the dogging slope, and the carrier is flush with the mount.



B. Mark rail at the required cut length.

For installation assistance contact Corbin Russwin
1-800-543-3658 • techsupport.corbinrusswin@assaabloy.com

Copyright © 2023, ASSA ABLOY Access and Egress Hardware Group, Inc. All rights reserved. Reproduction in whole or in part without the express written permission of ASSA ABLOY Access and Egress Hardware Group, Inc. is prohibited.

FM577 1/23

PED5200 Series - Standard, Fire Rated, & Windstorm Rated

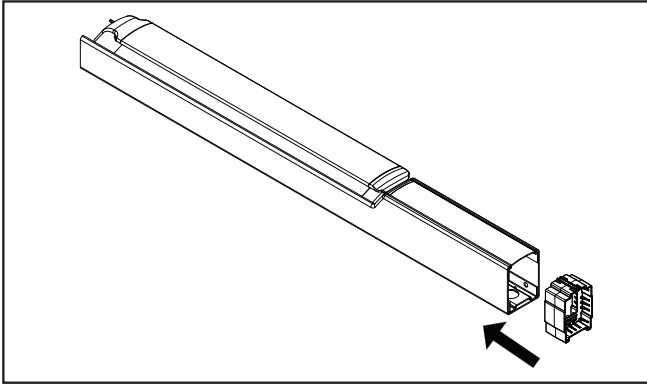


ASSA ABLOY

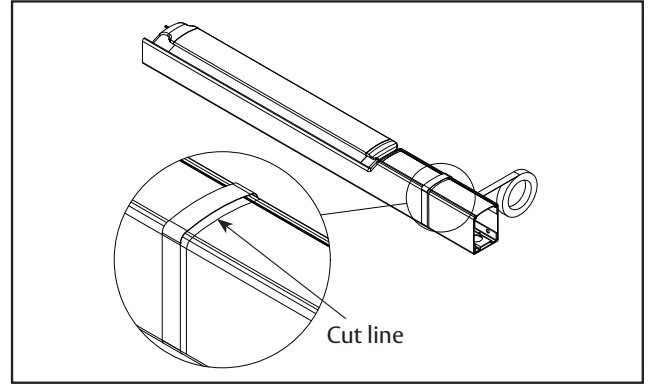
Rim Exit Devices With All Standard Trim

Installation Instructions

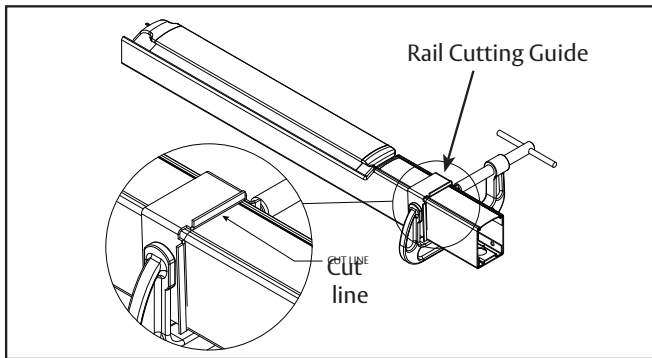
Rail cutting guide, continued.



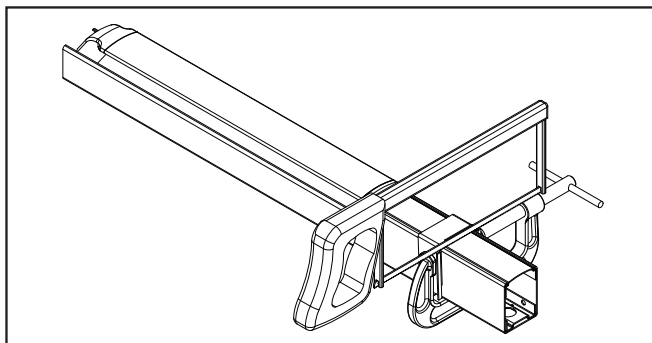
C. Ensure plastic insert support is installed under the cut line.



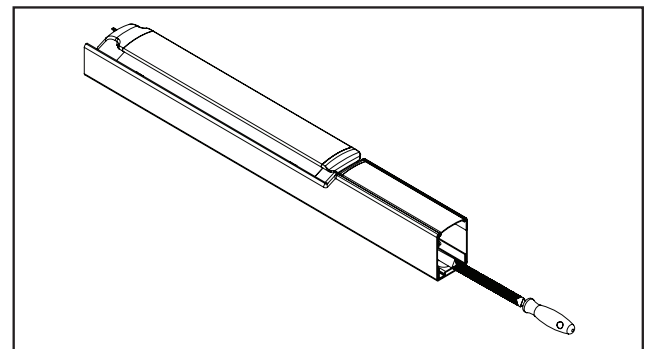
D. Wrap the rail and insert in masking tape, as shown.



E. Place the rail cutting guide over the masking tape and align it with the cut line. Clamp the cut guide to the rail using a C-clamp.



F. Using a hack saw with a new blade or a chop saw with a metal cutting blade, cut the rail, ensuring that the blade stays pressed against the rail cutting guide.



G. Deburr and smooth all cut edges with a file.

For installation assistance contact Corbin Russwin
1-800-543-3658 • techsupport.corbinrusswin@assaabloy.com

Copyright © 2023, ASSA ABLOY Access and Egress Hardware Group, Inc. All rights reserved.
Reproduction in whole or in part without the express written permission of ASSA ABLOY Access and Egress Hardware Group, Inc. is prohibited.

FM577 1/23

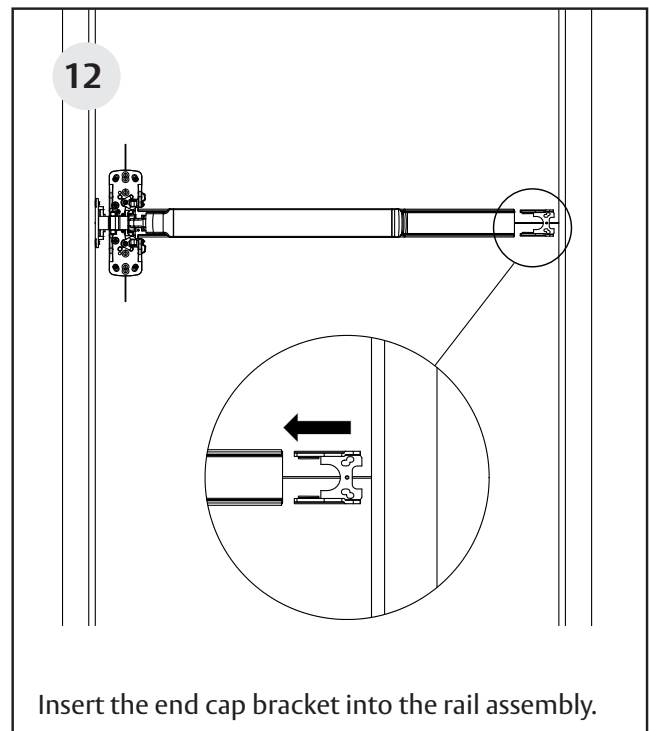
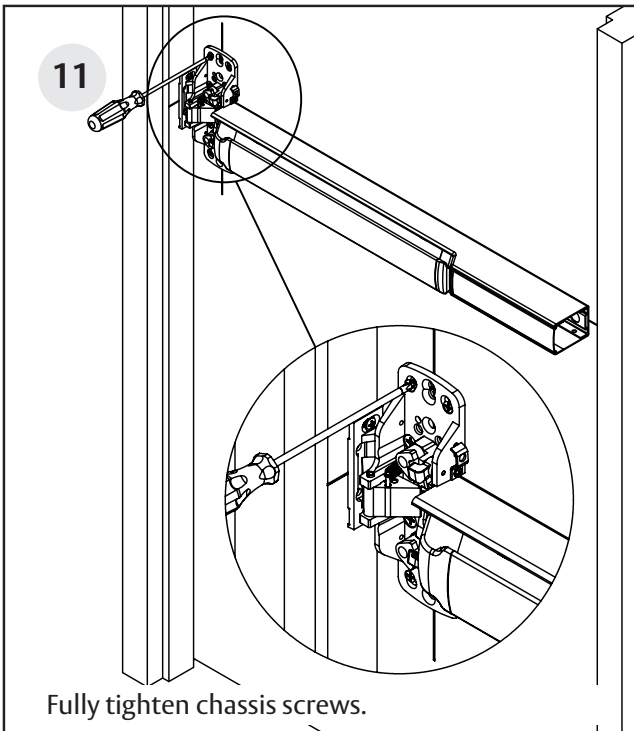
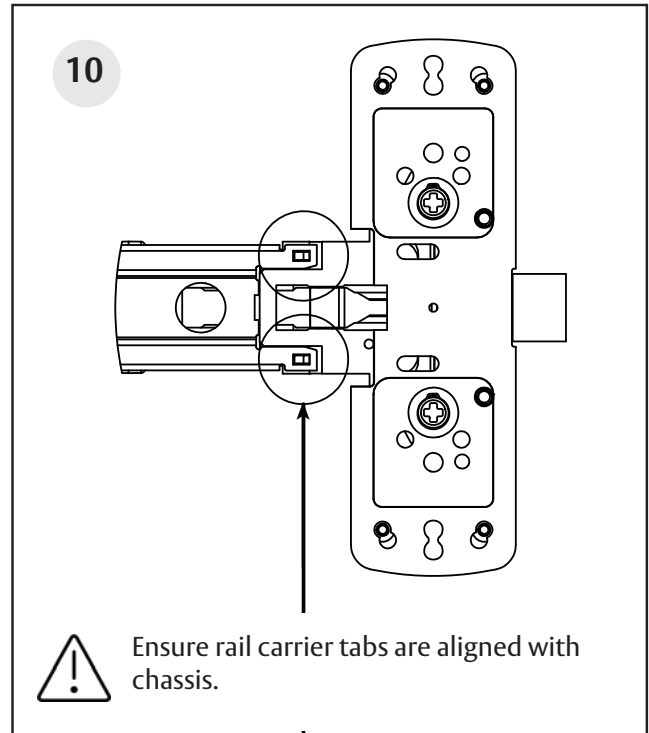
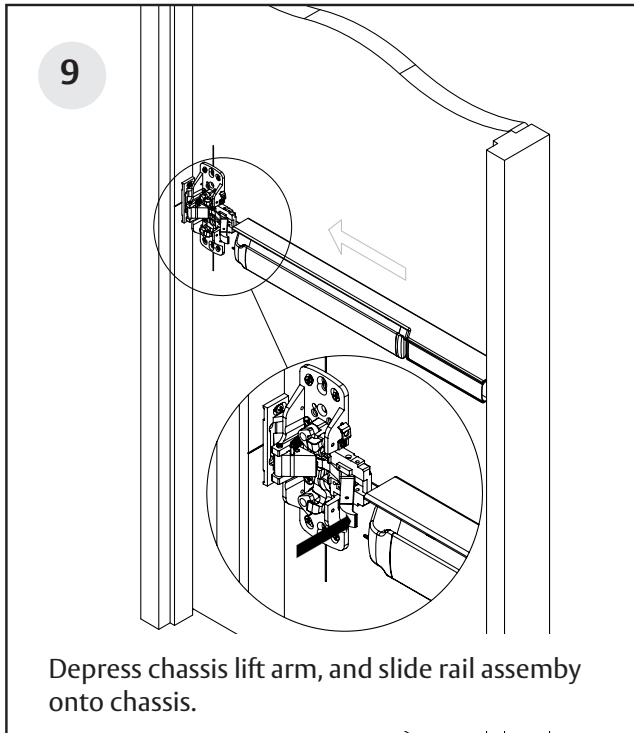
PED5200 Series - Standard, Fire Rated, & Windstorm Rated



ASSA ABLOY

Rim Exit Devices With All Standard Trim

Installation Instructions



For installation assistance contact Corbin Russwin
1-800-543-3658 • techsupport.corbinrusswin@assaabloy.com

Copyright © 2023, ASSA ABLOY Access and Egress Hardware Group, Inc. All rights reserved.
Reproduction in whole or in part without the express written permission of ASSA ABLOY Access and Egress Hardware Group, Inc. is prohibited.

FM577 1/23

PED5200 Series - Standard, Fire Rated, & Windstorm Rated

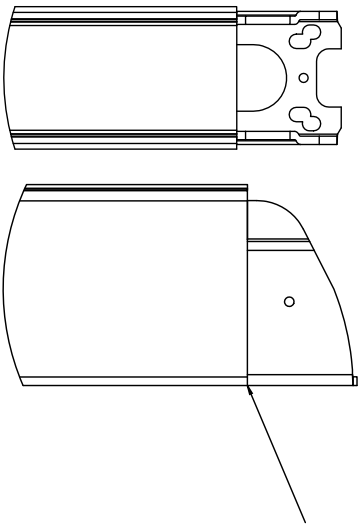


ASSA ABLOY


Rim Exit Devices With All Standard Trim

Installation Instructions

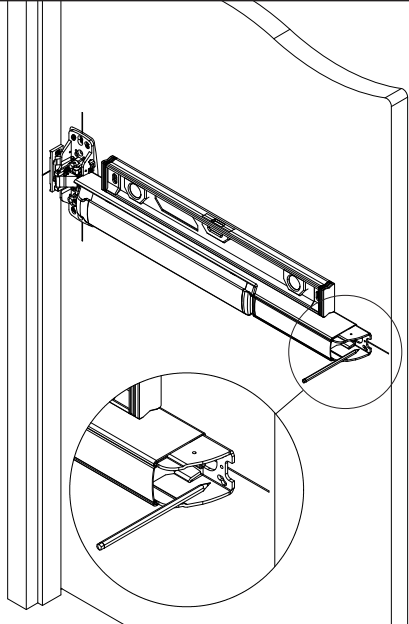
13



Ensure mounting rail bracket is against the rail without a gap.

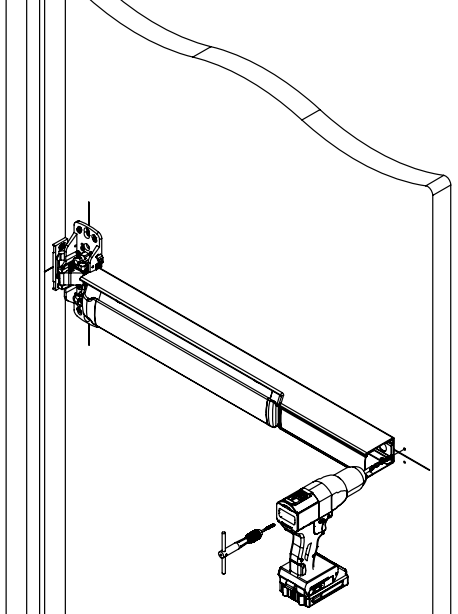


14



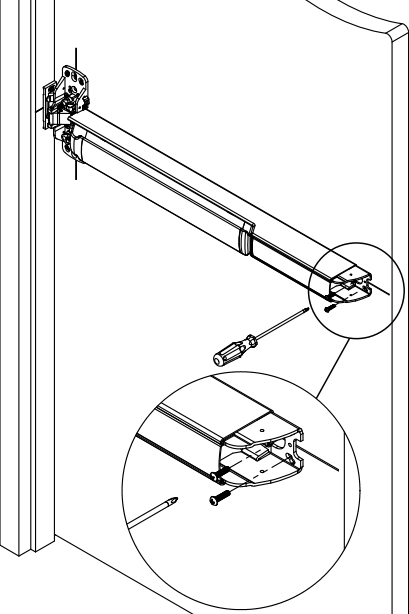
Level the rail and mark mounting holes, using the bracket as a guide.

15



Drill and tap end cap bracket holes #10-24 (2 Places).

16



Install end cap bracket using round head phillips #10-24 x 1" screws, supplied.

For installation assistance contact Corbin Russwin
1-800-543-3658 • techsupport.corbinrusswin@assaabloy.com

Copyright © 2023, ASSA ABLOY Access and Egress Hardware Group, Inc. All rights reserved.
Reproduction in whole or in part without the express written permission of ASSA ABLOY Access and Egress Hardware Group, Inc. is prohibited.

FM577 1/23

PED5200 Series - Standard, Fire Rated, & Windstorm Rated



ASSA ABLOY

Rim Exit Devices With All Standard Trim

Installation Instructions

17

Loosen the outer strike mounting screws. Adjust strike for smooth latching. Retighten screws then mark the two inner strike holes.

18

Drill and tap inner strike holes #10-24 (2 Places).

19

Install strike lock down screws using supplied round head phillips #10-24 x 3/4" screws.

20

Install chassis cover and end cap using the supplied oval head screws.

For installation assistance contact Corbin Russwin
1-800-543-3658 • techsupport.corbinrusswin@assaabloy.com

Copyright © 2023, ASSA ABLOY Access and Egress Hardware Group, Inc. All rights reserved.
Reproduction in whole or in part without the express written permission of ASSA ABLOY Access and Egress Hardware Group, Inc. is prohibited.

FM577 1/23

Rim Exit Devices With All Standard Trim

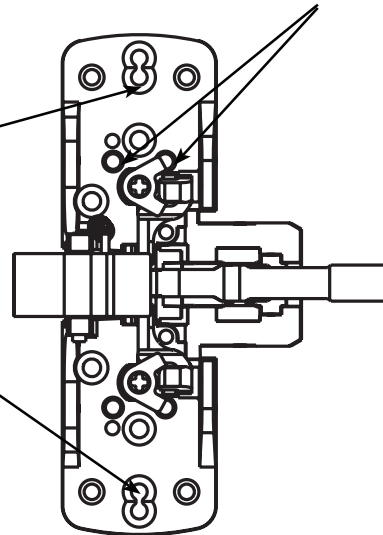
Installation Instructions

20a

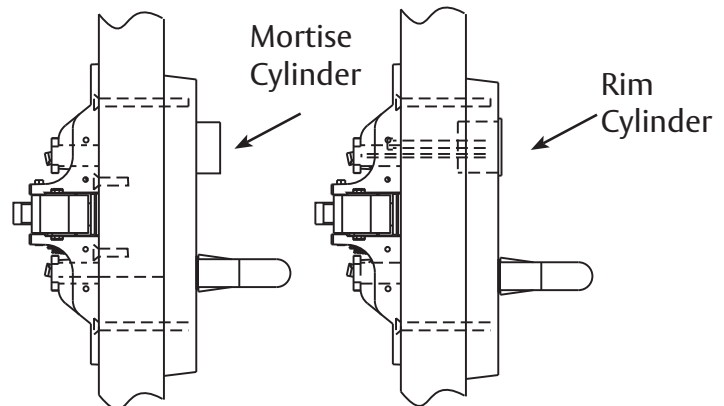
If 800 & 900 Series Exit Trim is used
(See instruction sheet and template
packed with trim.)

Rim cylinder mounting screw holes
(if applicable)

Trim mounting
screw holes



- Attach trim using the two (2) 1/4" - 20 x 2-3/8" Phillips flat head machine screws through the appropriate mounting holes in the chassis.
- For rim cylinder functions, install cylinder through the trim using the two (2) #10-24 x 1-7/8" with #8 Phillips flat head machine screws through the appropriate mounting holes in the chassis, ensuring cylinder tail piece engages with the hub.



PED5200 Series - Standard, Fire Rated, & Windstorm Rated



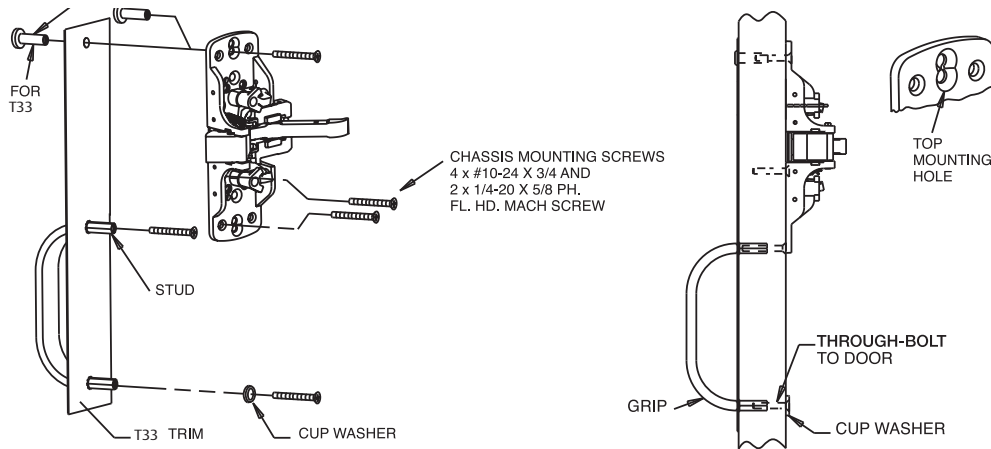
ASSA ABLOY

Rim Exit Devices With All Standard Trim

Installation Instructions

20b

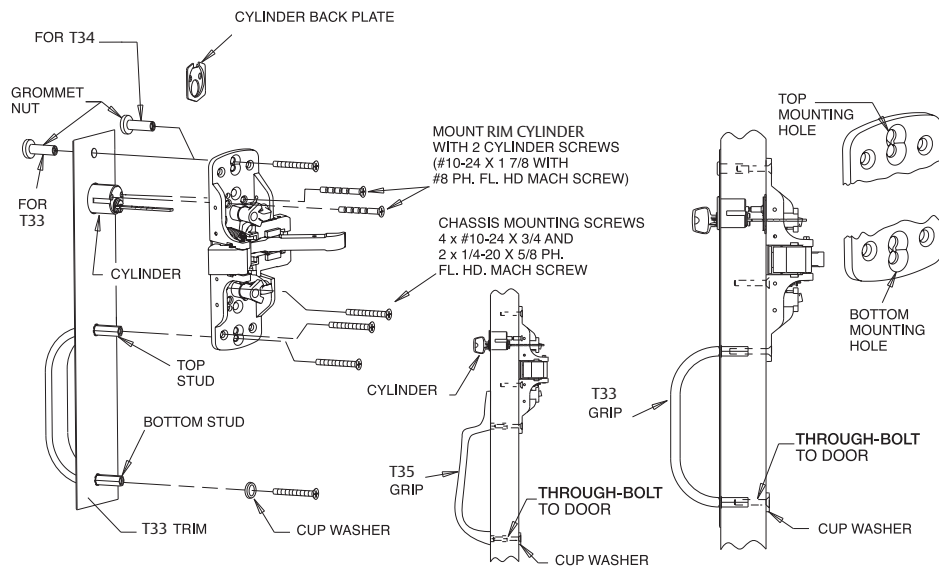
If T3350, T3450, T3550, T3650 or T3750 Pull Trim is used:



- Prepare the door with the provided template.
- Position the trim on the door with 1/4-20 x 5/8" machine screws as shown, using cup washer to thru bolt the bottom.

20c

If T3357, T3457, T3557, T3657 or T3757 Pull Trim is used:



- Thru-bolt grommet nut through the top chassis mounting hole.
- Thru-bolt top stud to bottom chassis mounting hole.
- Thru-bolt bottom stud through cup washer.
- Thru-bolt Sargent cylinder to chassis thru trim. If screw is too long, break off at notches as needed.

For installation assistance contact Corbin Russwin
1-800-543-3658 • techsupport.corbinrusswin@assaabloy.com

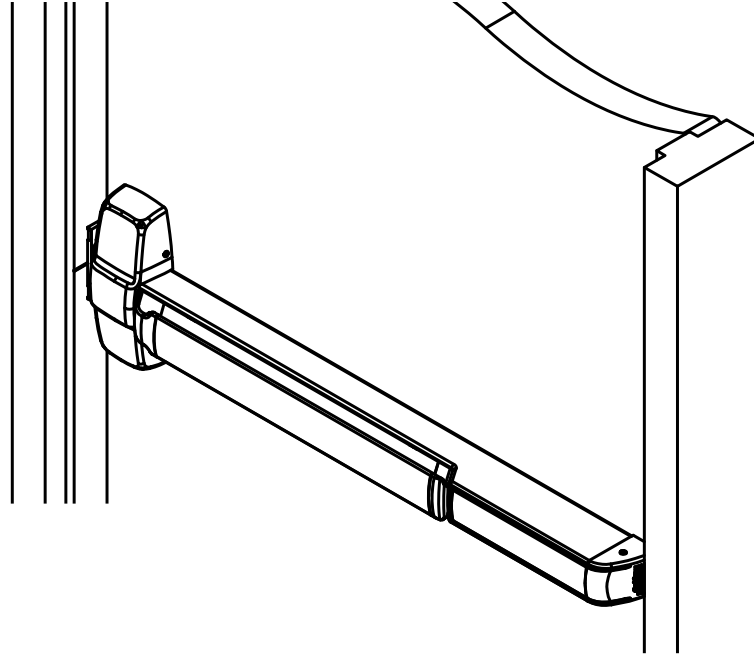
Copyright © 2023, ASSA ABLOY Access and Egress Hardware Group, Inc. All rights reserved.
Reproduction in whole or in part without the express written permission of ASSA ABLOY Access and Egress Hardware Group, Inc. is prohibited.

FM577 1/23

Rim Exit Devices With All Standard Trim

Installation Instructions

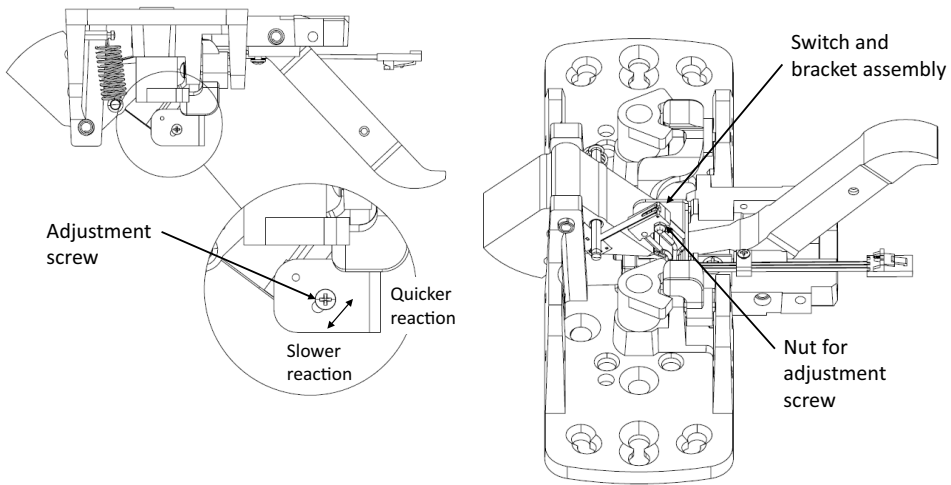
21



Check for proper operation.

22

(M91) Latch Bolt Monitoring Adjustment



- Loosen adjustment screw and nut.
- Rotate switch.
- Tighten adjustment screw and nut.
- Check operation.

For more information scan the QR code.



FM577 1/23

For installation assistance contact Corbin Russwin
1-800-543-3658 • techsupport.corbinrusswin@assaabloy.com

Copyright © 2023, ASSA ABLOY Access and Egress Hardware Group, Inc. All rights reserved.
Reproduction in whole or in part without the express written permission of ASSA ABLOY Access
and Egress Hardware Group, Inc. is prohibited.

PED5200 Series - Standard, Fire Rated, & Windstorm Rated

Rim Exit Devices With All Standard Trim

Installation Instructions



For installation assistance contact Corbin Russwin
1-800-543-3658 • techsupport.corbinrusswin@assaabloy.com

Copyright © 2023, ASSA ABLOY Access and Egress Hardware Group, Inc. All rights reserved.
Reproduction in whole or in part without the express written permission of ASSA ABLOY Access
and Egress Hardware Group, Inc. is prohibited.



For installation assistance contact Corbin Russwin
1-800-543-3658 • techsupport.corbinrusswin@assaabloy.com

Copyright © 2023, ASSA ABLOY Access and Egress Hardware Group, Inc. All rights reserved.
Reproduction in whole or in part without the express written permission of ASSA ABLOY Access
and Egress Hardware Group, Inc. is prohibited.

FM577 1/23

Experience a safer
and more open world