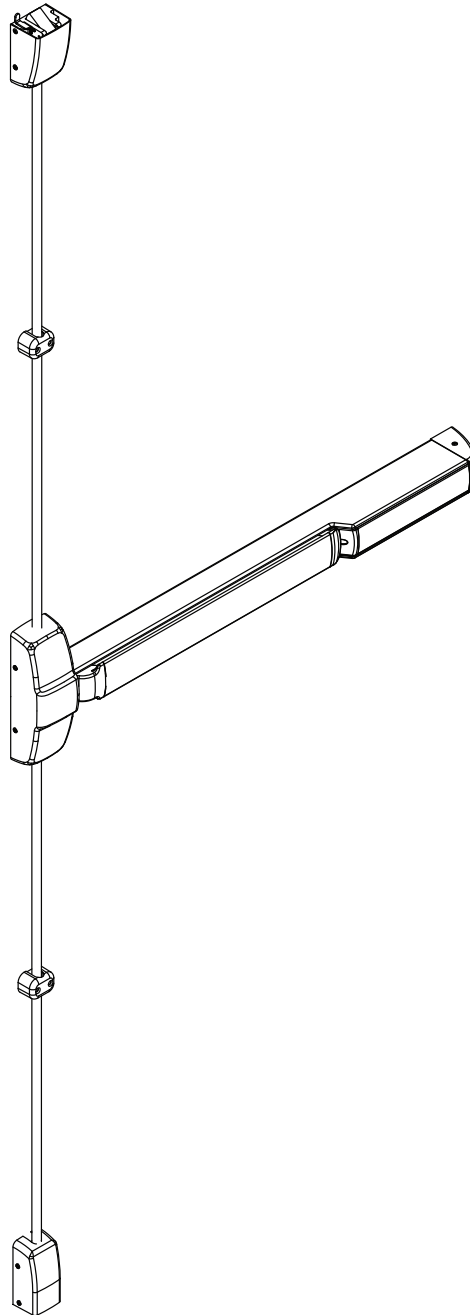


Installation Instructions

PED5400 Series (Standard, A, HC, & HC4)

Surface Vertical Rod Exit Devices



WARNING

This product can expose you to lead which is known to the state of California to cause cancer and birth defects or other reproductive harm. For more information go to www.P65warnings.ca.gov.

1-800-543-3658 • techsupport.corbinrusswin@assaabloy.com

Copyright © 2023, 2024, ASSA ABLOY Access and Egress Hardware Group, Inc. All rights reserved. Reproduction in whole or in part without the express written permission of ASSA ABLOY Access and Egress Hardware Group, Inc. is prohibited. Patent pending and/or patent www.assaabloydss.com/patents.

WARNING

Attention Installer: Improper installation may result in damage to the product and void the factory warranty.






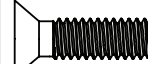
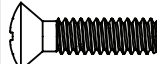

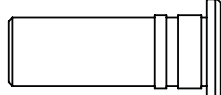


PED5400 Series (Standard, A, HC, & HC4)



Surface Vertical Rod Exit Device

Installation Instructions

Screw Chart

DESCRIPTION	TOTAL QTY SUPPLIED	WHERE USED
 #10-24 X 3/4" FLAT HEAD MACHINE SCREW	10 STANDARD 4 FIRE RATED, HC	(4) CHASSIS CORNER MOUNTING HOLES (METAL DOOR) (3) TOP CASE (STD.) (METAL DOOR) (3) BOTTOM CASE (STD.) (METAL DOOR)
 #10 X 1-1/4" FLAT HEAD WOOD SCREW	10 STANDARD 8 FIRE RATED	(4) CHASSIS CORNER MOUNTING HOLES (WOOD DOOR) (3) TOP CASE (STD.) (WOOD DOOR) (2) TOP CASE (FIRE RATED) BOTTOM MOUNTING HOLES (WOOD DOOR) (3) BOTTOM CASE (STD.) (WOOD DOOR) (2) BOTTOM CASE (FIRE RATED) TOP MOUNTING HOLES (WOOD DOOR)
 #10-24 X 3/4" ROUND HEAD MACHINE SCREW	2	(2) REAR MOUNTING PLATE (METAL DOOR)
 #10 X 1-1/4" ROUND HEAD WOOD SCREW	2	(2) REAR MOUNTING PLATE (WOOD DOOR)
 #12-24 X 3/4" ROUND HEAD MACHINE SCREW	4	(2) TOP CASE (HC) TOP MOUNTING HOLES (2) BOTTOM CASE (HC) BOTTOM MOUNTING HOLES
 #12-24 X 3/4" FLAT HEAD MACHINE SCREW	8	(2) TOP CASE (HC) BOTTOM MOUNTING HOLES (2) BOTTOM CASE (HC) TOP MOUNTING HOLES
 #10-24 X 3/4" OVAL HEAD MACHINE SCREW	6	(4) 654 TOP LATCH STRIKE (2) TOP CASE (FIRE RATED) BOTTOM MOUNTING HOLES (METAL DOOR) (2) BOTTOM CASE (FIRE RATED) TOP MOUNTING HOLES (METAL DOOR) (2) 648 TRANSOM STRIKE
  #10-24 X 1-1/2" OVAL HEAD W/ GROMMET NUT MACHINE SCREW	2	(2) TOP CASE (FIRE RATED) TOP MOUNTING HOLES
  #10-24 X 1-1/2" ROUND HEAD W/ GROMMET NUT MACHINE SCREW	2	(2) BOTTOM CASE (FIRE RATED) BOTTOM MOUNTING HOLES

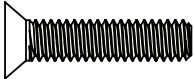
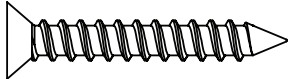

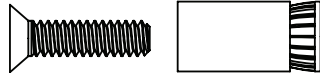




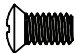


PED5400 Series (Standard, A, HC, & HC4)



Surface Vertical Rod Exit Device

Installation Instructions

Screw Chart

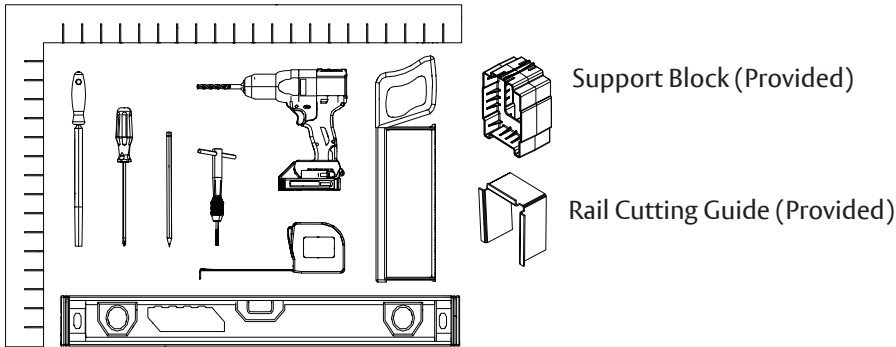
DESCRIPTION	TOTAL QTY SUPPLIED	WHERE USED
 # 12-24 X 1" FLAT HEAD MACHINE SCREW	2	(2) 646 TOP STRIKE (METAL FRAME)
 # 12 X 1-1/2" FLAT HEAD WOOD SCREW	2	(2) 646 TOP STRIKE (WOOD FRAME)
 # 10 X 1-1/4" OVAL HEAD WOOD SCREW	2	(2) 648 TRANSOM STRIKE (WOOD FRAME)
 # 10-24 X 3/4" FLAT HEAD MACHINE SCREW WITH CAULKING ANCHOR	2	(2) 624 BOTTOM STRIKE
 # 12 X 1" FLAT HEAD WOOD SCREW	2	(2) 624 BOTTOM STRIKE (WOOD FRAME)
 1/4"-20 X 2" FLAT HEAD MACHINE SCREW W/ANCHOR	2 (3)	(3) 653 BOTTOM STRIKE (2) 655 BOTTOM STRIKE
 # 10-24 X 1-1/2" OVAL HEAD MACHINE SCREW	4	(2) TOP ROD GUIDE (METAL DOOR) (2) BOTTOM ROD GUIDE (METAL DOOR)
 # 10 X 1-3/4" OVAL HEAD WOOD SCREW	4	(2) TOP ROD GUIDE (WOOD DOOR) (2) BOTTOM ROD GUIDE (WOOD DOOR)
 # 8-32 X 5/16" W/ #6 OVAL HEAD MACHINE SCREW	12	(2) CHASSIS COVER FRAME SIDE (2) END CAP (4) TOP CASE COVER (4) BOTTOM CASE COVER
 # 8-32 X 5/8" W/ #6 OVAL HEAD MACHINE SCREW	2	(2) CHASSIS COVER RAIL SIDE
 1/4"-20 X 2-3/8" KNURLED FLAT HEAD MACHINE SCREW	2	(2) EXIT TRIM (IF USED)

PED5400 Series (Standard, A, HC, & HC4)

Surface Vertical Rod Exit Device

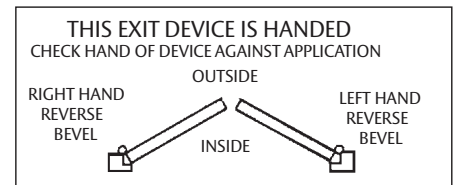
Installation Instructions

Tools Needed



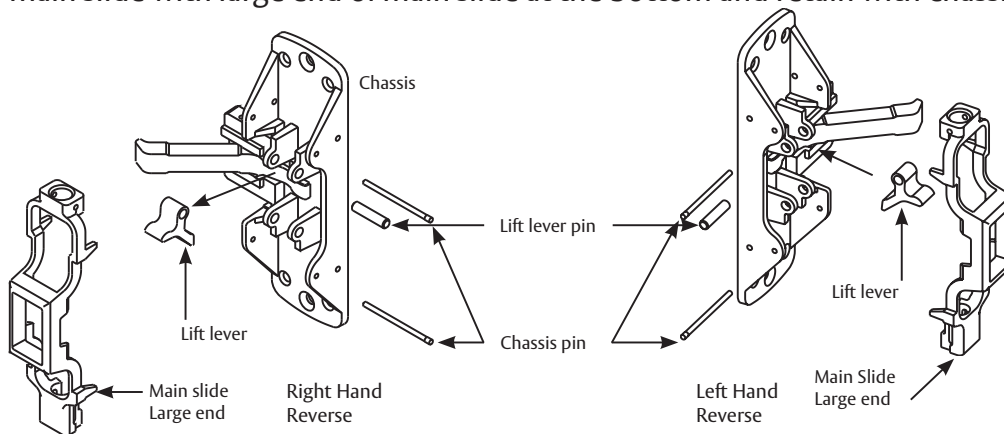
Handing

All PED5400 series exit devices are handed, except the PED5401, which is field reversible. The PED5401 is shipped as LHR unless ordered as RHR.



To Change Hand of PED5401 Exit Device:

1. Remove both chassis pins and main slide.
2. Remove lift lever pin and lift lever.
3. Rotate chassis 180° and reposition lift lever and lift lever pin as shown below
4. Position main slide with large end of main slide at the bottom and retain with chassis pins.



Before installation:

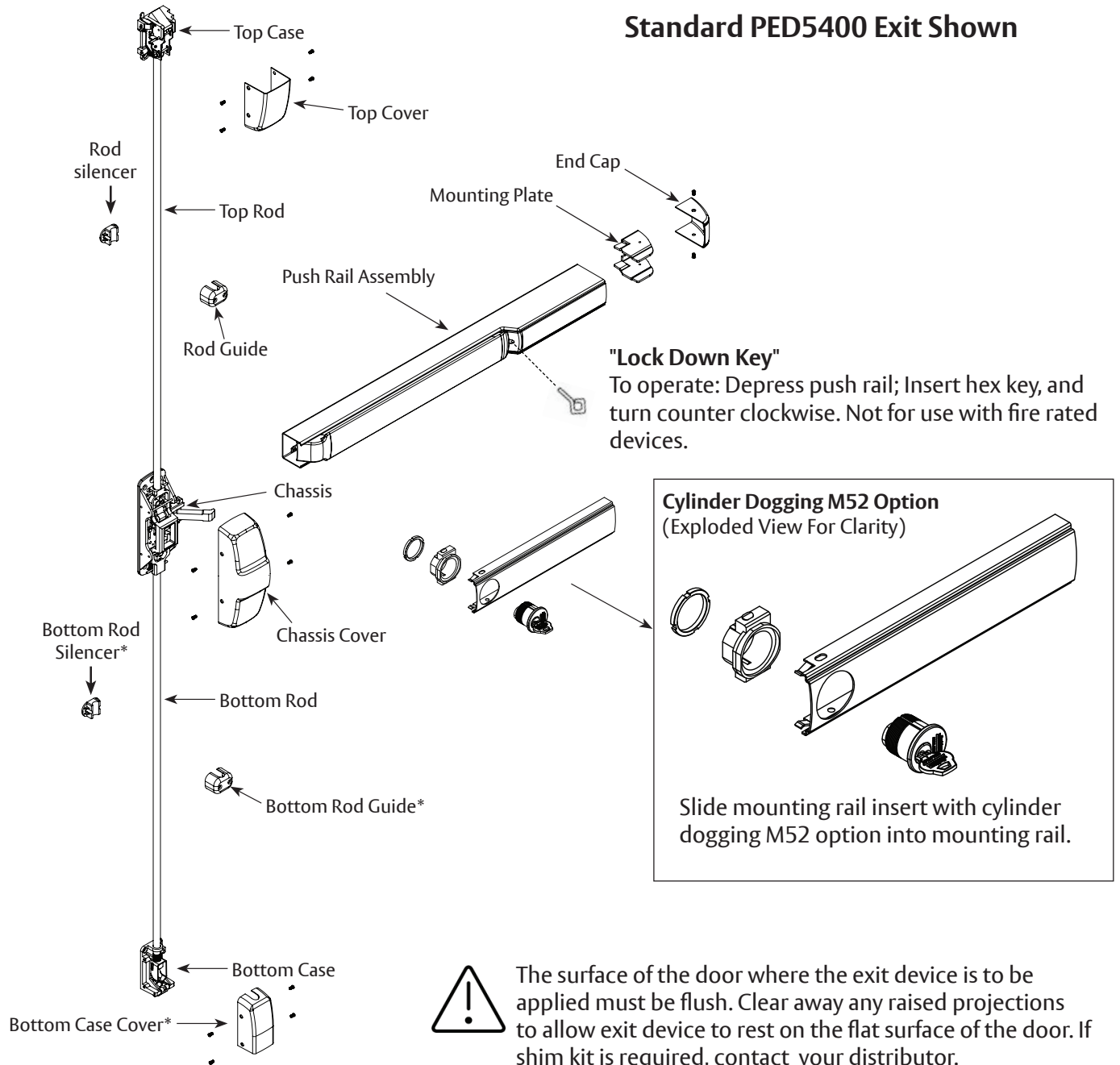
1. Install mullion, if used.
2. Fit and hang door.
3. Check the box's label for the size of the exit device.
4. For wood doors, use wood screws & prep accordingly.

PED5400 Series (Standard, A, HC, & HC4)

Surface Vertical Rod Exit Device

Installation Instructions

Parts Description



*Not included with M55 option.

Note: Please refer to trim and other installation instructions provided in the box.

PED5400 Series (Standard, A, HC, & HC4)

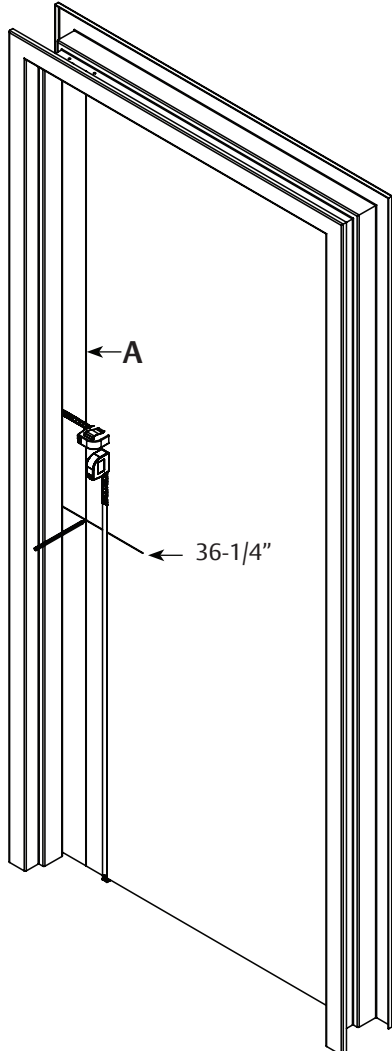


ASSA ABLOY

Surface Vertical Rod Exit Device

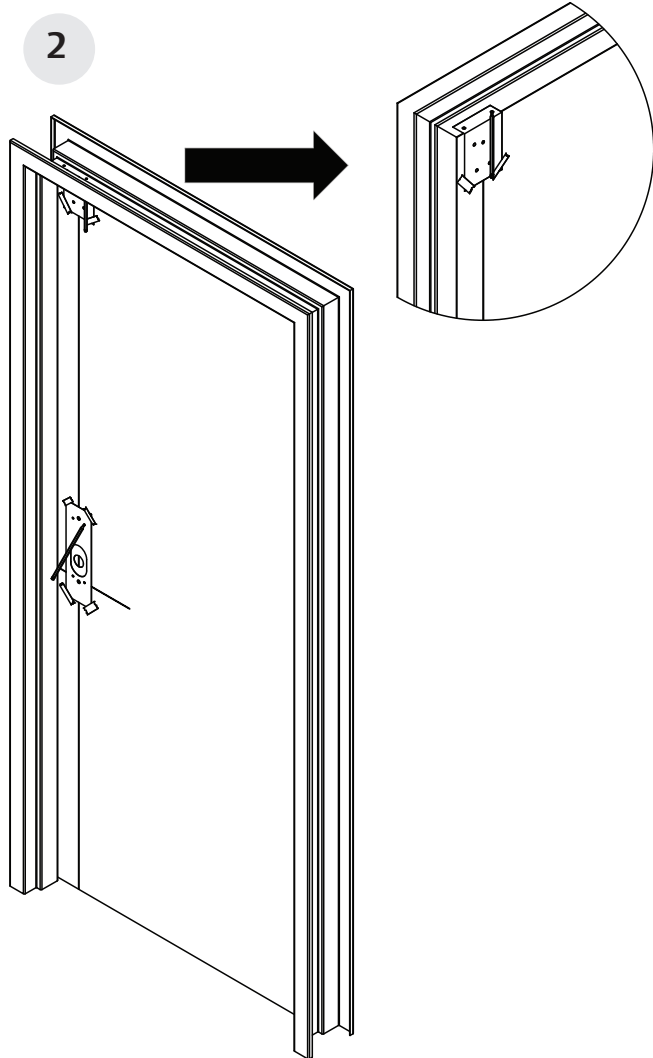
Installation Instructions

1



- With door closed, determine dimension “A” to located vertical reference line.
- If door stile is 4-1/2” wide or wider, “A” is 2-3/4”. If door stile is less than 4-1/2”, “A” is 1/2 the exposed width of the door stile when the door is closed against the door stop.
- Standard rail centerline height is 39-5/8” above the finished floor.
- Horizontal reference line is 36-1/4” standard. (Location of lower chassis mounting holes.)

2



- With door closed, tape template for chassis/trim on inside of door, along vertical and horizontal reference lines.
- Fold top case template and tape on inside of door along vertical reference lines.

PED5400 Series (Standard, A, HC, & HC4)

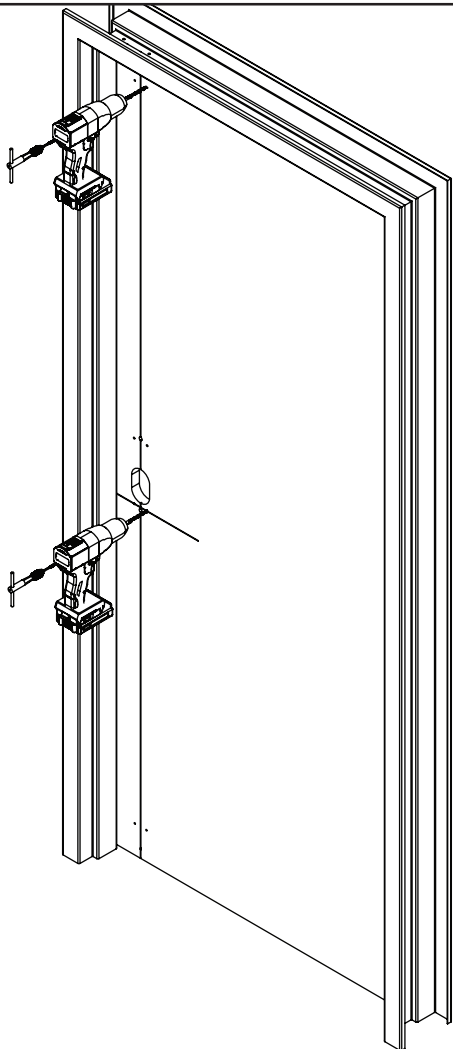


ASSA ABLOY

Surface Vertical Rod Exit Device

Installation Instructions

3

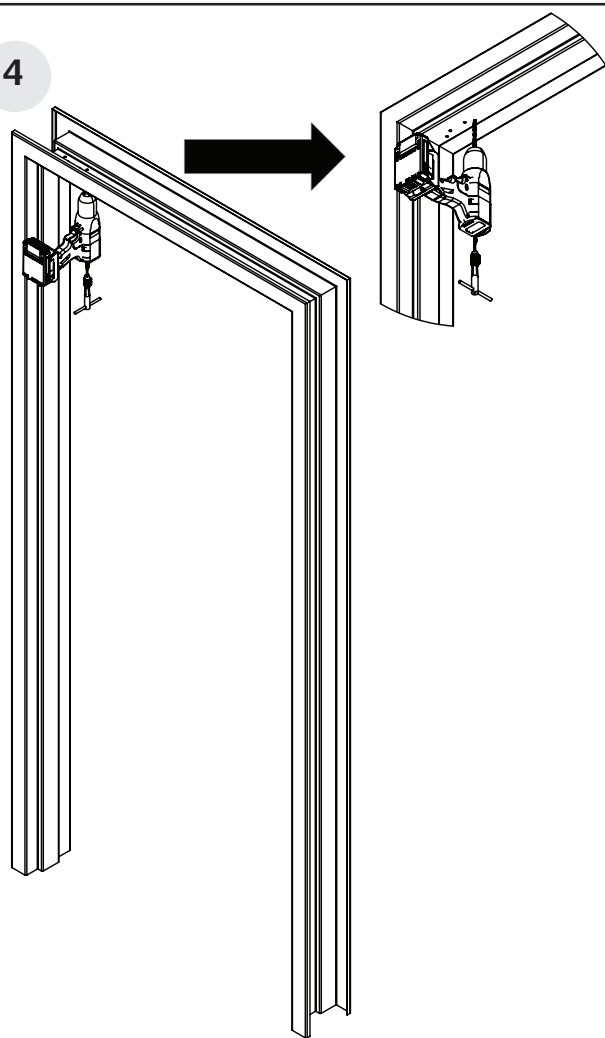


- Drill and tap all holes #10-24 from inside of door, for chassis and top case.
- Mortise pockets for outside trim, if required. See installation instructions supplied with trim for details.

NOTE: Any holes drilled from the outside need pilot holes drilled from the inside to ensure good alignment.

NOTE: For electrical trim applications, ensure access to a raceway from the trim to the electric hinge or armored door loop.

4



Drill and tap all strike mounting holes for #12-24 in locations for applicable strike.

PED5400 Series (Standard, A, HC, & HC4)

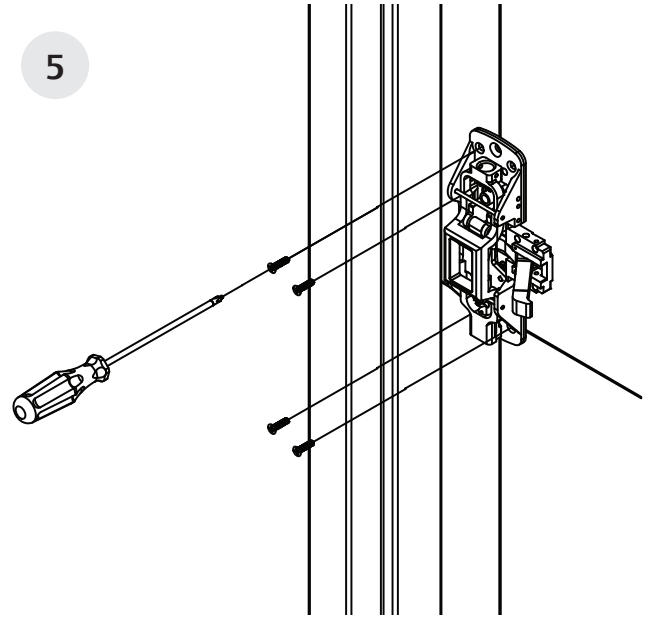


ASSA ABLOY

Surface Vertical Rod Exit Device

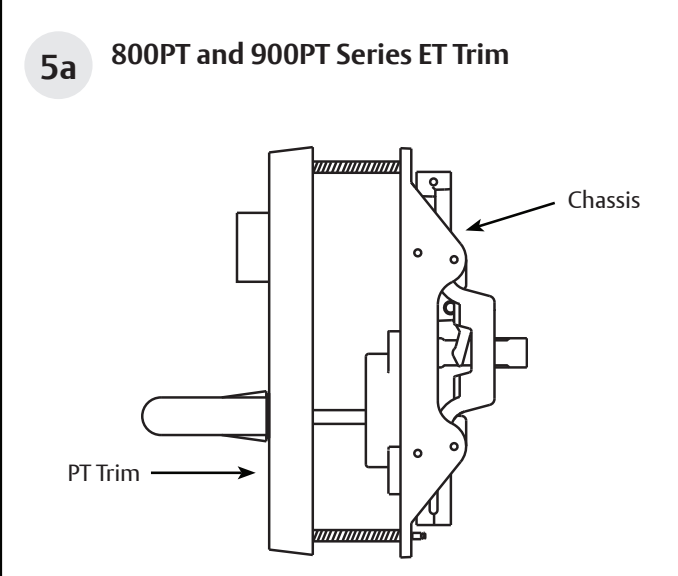
Installation Instructions

5



Install chassis mounting screws. **DO NOT FULLY TIGHTEN.** See steps 5a and 5b for trim mounting.

5a 800PT and 900PT Series ET Trim



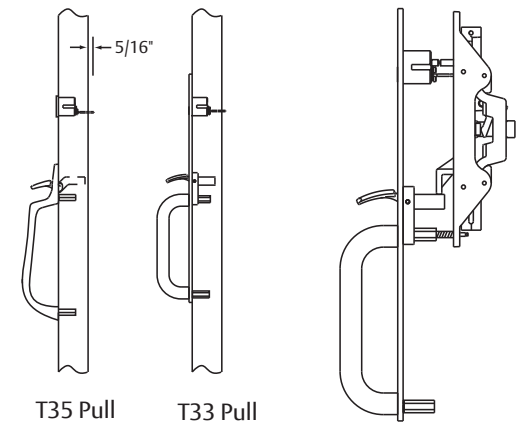
Position ET trim on door. Align spindle with bell housing. Thru-bolt chassis to ET trim with (2) 1/4-20 flat head screws.

5b Thumb Piece Trim

Determining rim cylinder tail length.

For T33, T34, or T35 Trim:

1. Position trim on door (except T35).
2. Insert rim cylinder through trim plate (or cylinder collar for T35 trim).
3. Mark cylinder tail at 5/16" beyond inside door surface.
4. Remove cylinder and trim from door and cut tail piece as marked.



T35 Pull T33 Pull PED5457T or PED5455T By T34 Shown

NOTE: Thumb Trim is not available for PED5400 HC Series Exit Devices.

PED5400 Series (Standard, A, HC, & HC4)

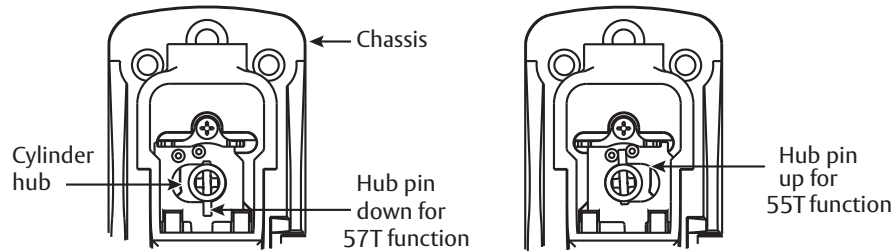


ASSA ABLOY

Surface Vertical Rod Exit Device

Installation Instructions

5b Thumb Piece Trim, Continued



For PED5457T: Long end of pin faces down. Cylinder turns 180° in both directions.

For PED5455T: Long end of pin faces up. Cylinder turns 360° to the left or right.

Mounting Trim

1. Hold trim plate to door.
2. Insert cylinder and secure using supplied back plate.
3. Position cylinder hub within the chassis to correct position for desired function (see above).
4. Position chassis on door, align cylinder tail with hub and secure chassis to door with (4) #10 flat head screws using the corner mounting holes. **DO NOT FULLY TIGHTEN.**

NOTE: STS, FLL, FLW and MAL thru-bolt to chassis with (1) 1/4-20 flat head screw. PTB trim thru-bolts to chassis with (2) 1/4-20 flat head screws. **DO NOT FULLY TIGHTEN.**

PED5400 Series (Standard, A, HC, & HC4)

Surface Vertical Rod Exit Device

Installation Instructions


Rail cutting guide

If the rail doesn't need to be cut, continue to page 12, step 6.
If the rail must be cut, follow these steps on page 10 and 11:

Refer to the individual exit device installation instructions for rail cutting requirements / restrictions.
Instructions will vary based on device type and options.

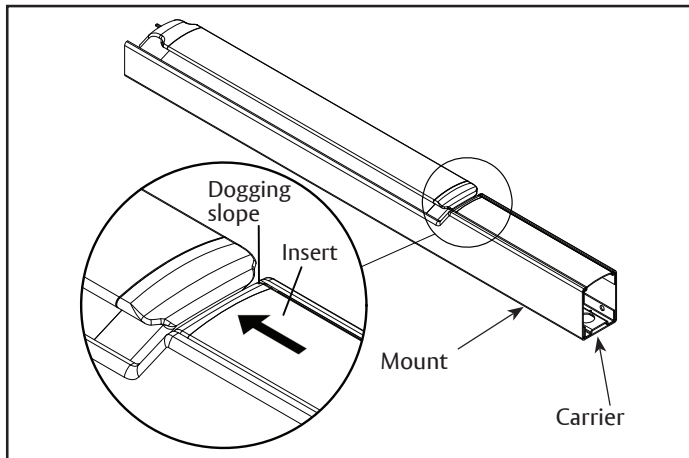
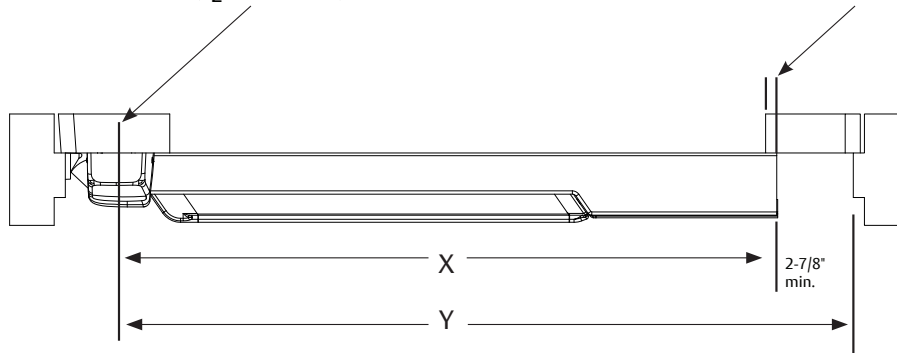
- Determine cut off dimension "X" by subtracting 2-7/8" from dimension "Y". Mark cut off point on mounting rail. (See below.)

Information for Cutting Rails		
Rail Sizes	Door Widths	
	Standard	Minimum
W032	32"	24"
W036 (Std.)	36"	33"
W042	42"	37"
W048	48"	43"

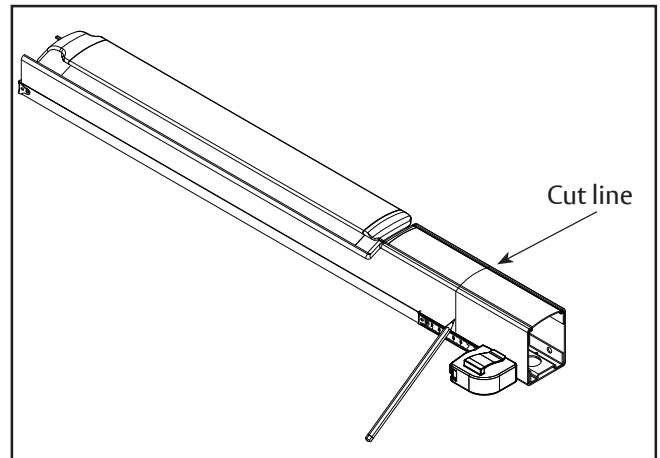
 Do not cut closer than 1-5/8" from the the front edge of the rail insert.

Vertical reference line (C of chassis)

For doors with stile rail, the stile must overlap by 5/16" min.



A. Ensure there isn't a gap between the insert and the dogging slope, and the carrier is flush with the mount.



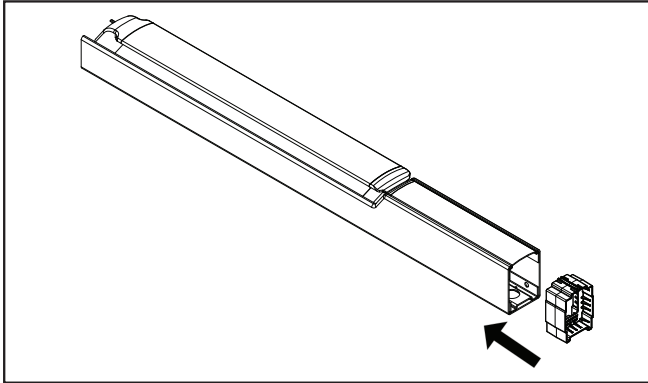
B. Mark rail at the required cut length.

PED5400 Series (Standard, A, HC, & HC4)

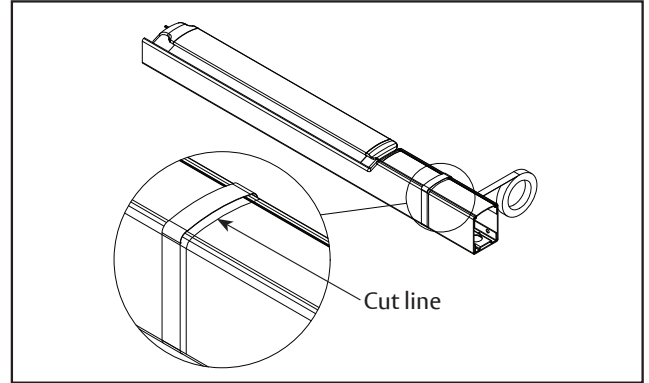
Surface Vertical Rod Exit Device

Installation Instructions

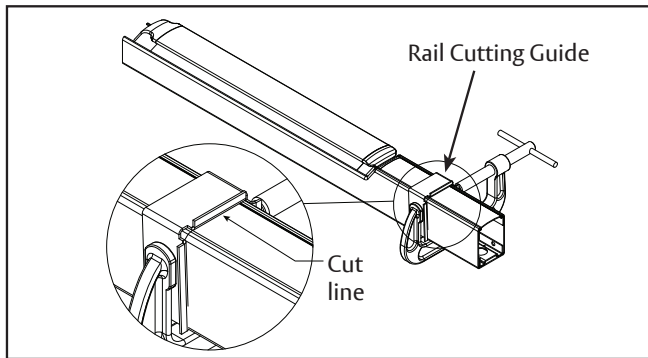
Rail cutting guide, continued.



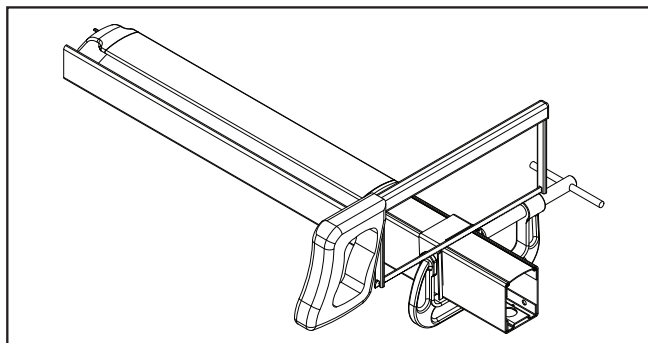
C. Ensure plastic insert support is installed under the cut line.



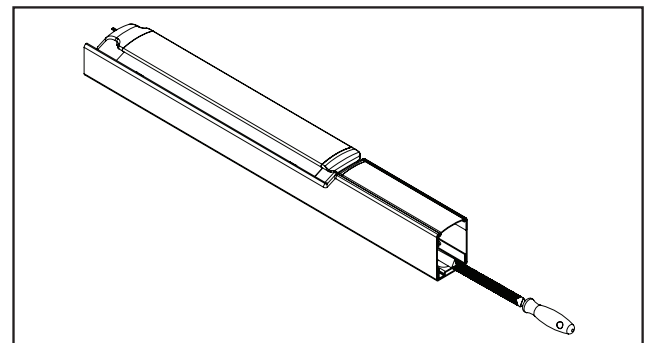
D. Wrap the rail and insert in masking tape, as shown.



E. Place the rail cutting guide over the masking tape and align it with the cut line. Clamp the cut guide to the rail using a C-clamp.



F. Using a hack saw with a new blade or a chop saw with a metal cutting blade, cut the rail, ensuring that the blade stays pressed against the rail cutting guide.



G. Deburr and smooth all cut edges with a file.

PED5400 Series (Standard, A, HC, & HC4)



ASSA ABLOY

Surface Vertical Rod Exit Device

Installation Instructions

6

Depress chassis lift arm, and slide rail assembly onto chassis.

This diagram shows a close-up of the rail assembly being slid onto the chassis. A circular inset provides a detailed view of the rail carrier tabs on the rail assembly aligning with the chassis. An arrow indicates the direction of movement.

7

Ensure rail carrier tabs are aligned with chassis.

This diagram shows the rail assembly being inserted into the chassis. A circular inset provides a detailed view of the rail carrier tabs on the rail assembly aligning with the chassis. An arrow points to the rail carrier tabs. A warning triangle with an exclamation mark is shown below the inset.

8

Fully tighten chassis screws.

This diagram shows the rail assembly being fully tightened to the chassis. A circular inset provides a detailed view of the chassis screws being tightened. An arrow indicates the direction of movement.

9

Insert the end cap bracket into the rail assembly.

This diagram shows the end cap bracket being inserted into the rail assembly. A circular inset provides a detailed view of the end cap bracket being inserted into the rail assembly. An arrow indicates the direction of movement.

PED5400 Series (Standard, A, HC, & HC4)

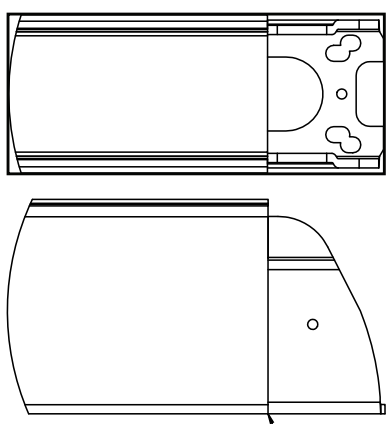


ASSA ABLOY

Surface Vertical Rod Exit Device

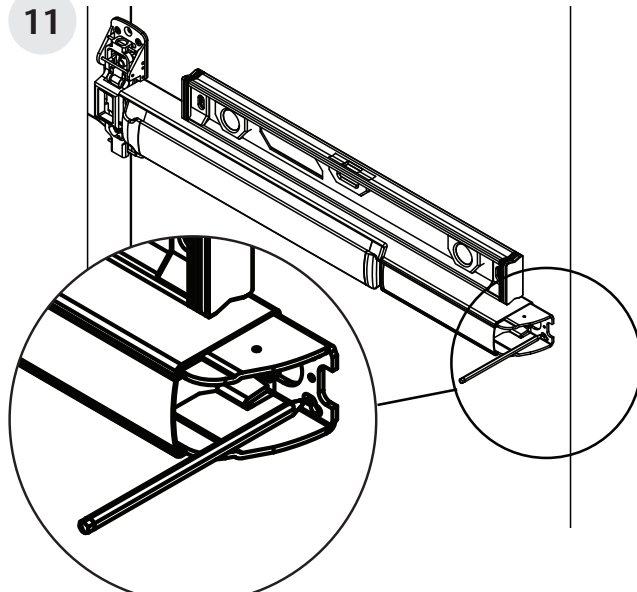
Installation Instructions

10



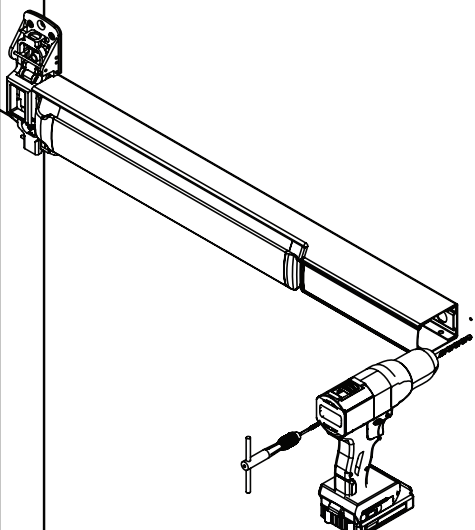
Ensure mounting rail bracket is against the rail without a gap.

11



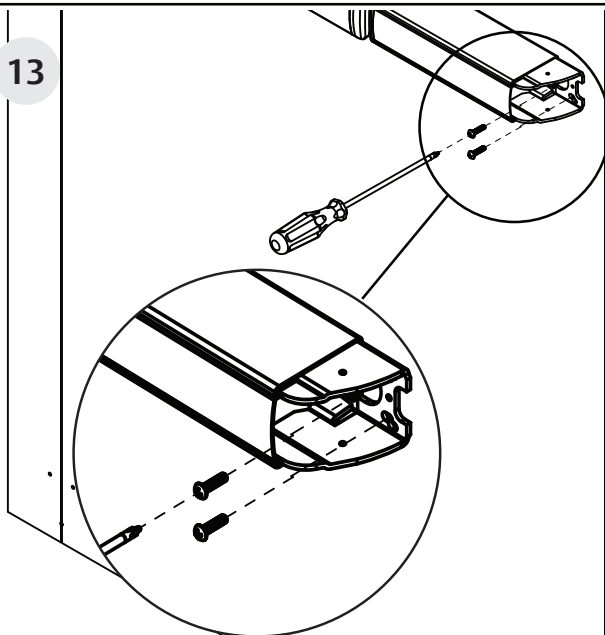
Level the rail and mark mounting holes, using the bracket as a guide.

12



Drill and tap end cap bracket holes #10-24 (2 Places).

13



Install end cap bracket using supplied round head phillips #10-24 x 1" screws.

PED5400 Series (Standard, A, HC, & HC4)

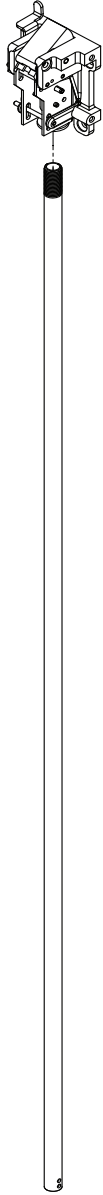


ASSA ABLOY

Surface Vertical Rod Exit Device

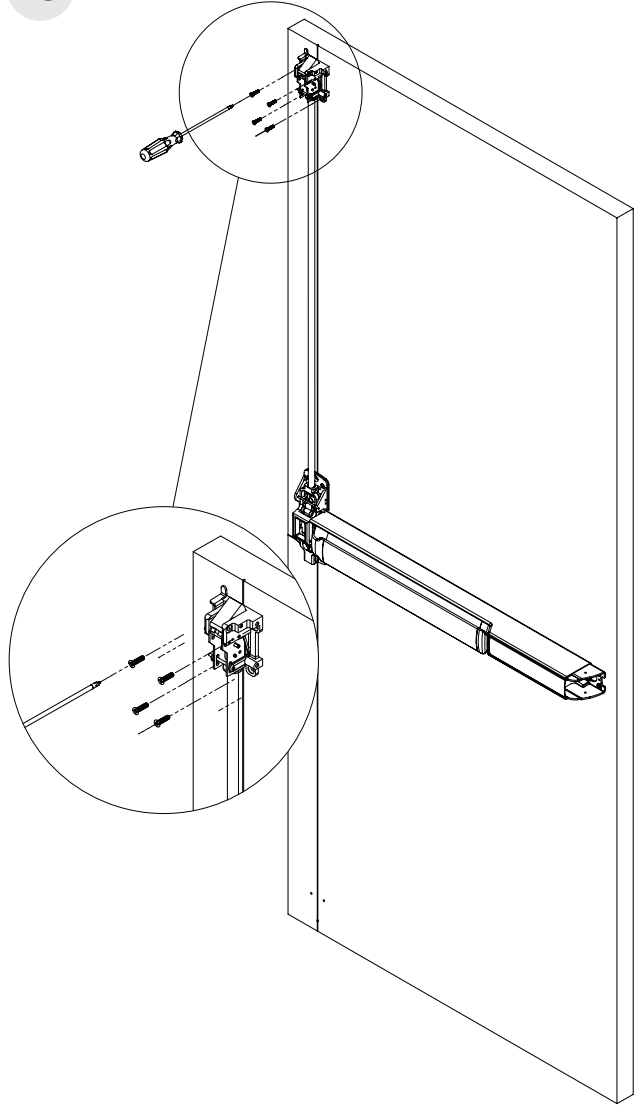
Installation Instructions

14



Screw top rod into top case until finger tight.

15



Slide top rod into chassis main slide. Do not pin in place. Attach top case.

Note: Top cases on fire rated wood doors must be thru-bolted.

PED5400 Series (Standard, A, HC, & HC4)

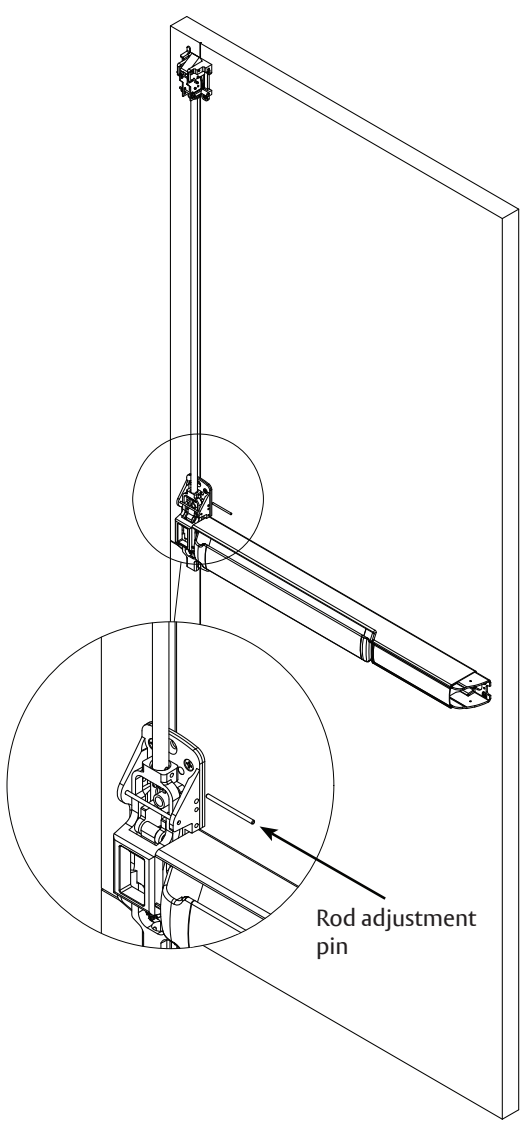


ASSA ABLOY

Surface Vertical Rod Exit Device

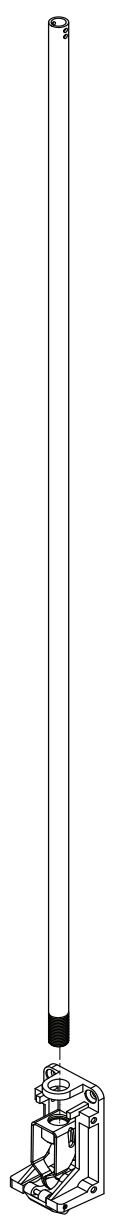
Installation Instructions

16



- Verify rail is not dogged (locked down).
- Unscrew top rod until the center hole is aligned with the hole in the main slide.
- Insert rod adjustment pin and align hole in rod with pin.

17



Screw bottom rod into bottom case until finger tight.

PED5400 Series (Standard, A, HC, & HC4)

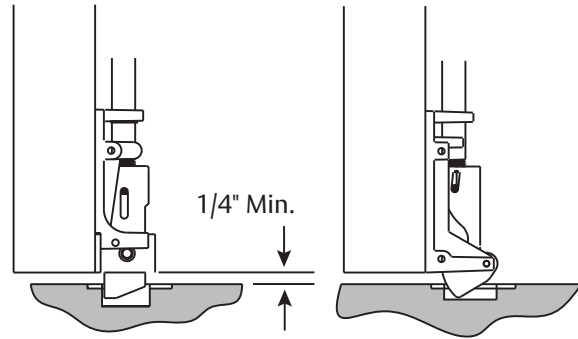
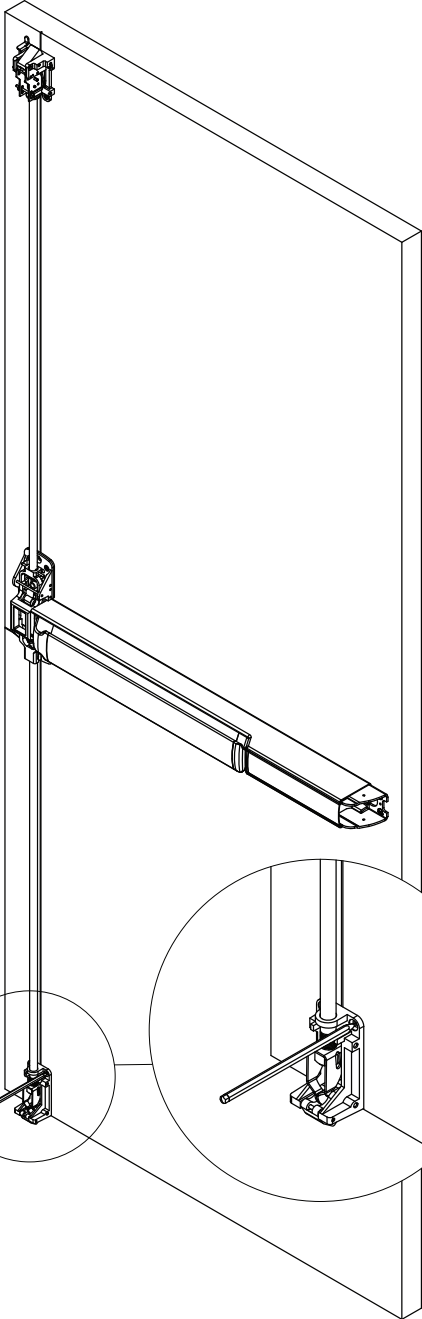


ASSA ABLOY

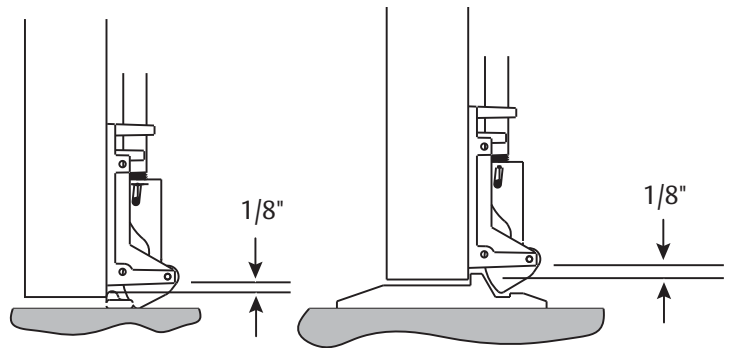
Surface Vertical Rod Exit Device

Installation Instructions

18



MORTISE APPLIED STRIKES



SURFACE APPLIED STRIKES

LATCH TRACK THRESHOLD (BY OTHERS)

- Slide bottom rod into the chassis main slide.
- Mark bottom case mounting holes based on the bottom case placement shown in image above.

PED5400 Series (Standard, A, HC, & HC4)



ASSA ABLOY

Surface Vertical Rod Exit Device

Installation Instructions

19

Drill and tap bottom case mounting holes for the required fasteners.

20

Mount bottom case using supplied screws.

Note: Bottom cases on fire rated doors must be thru-bolted.

PED5400 Series (Standard, A, HC, & HC4)

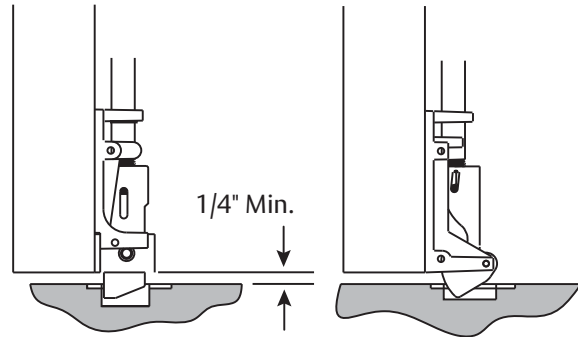
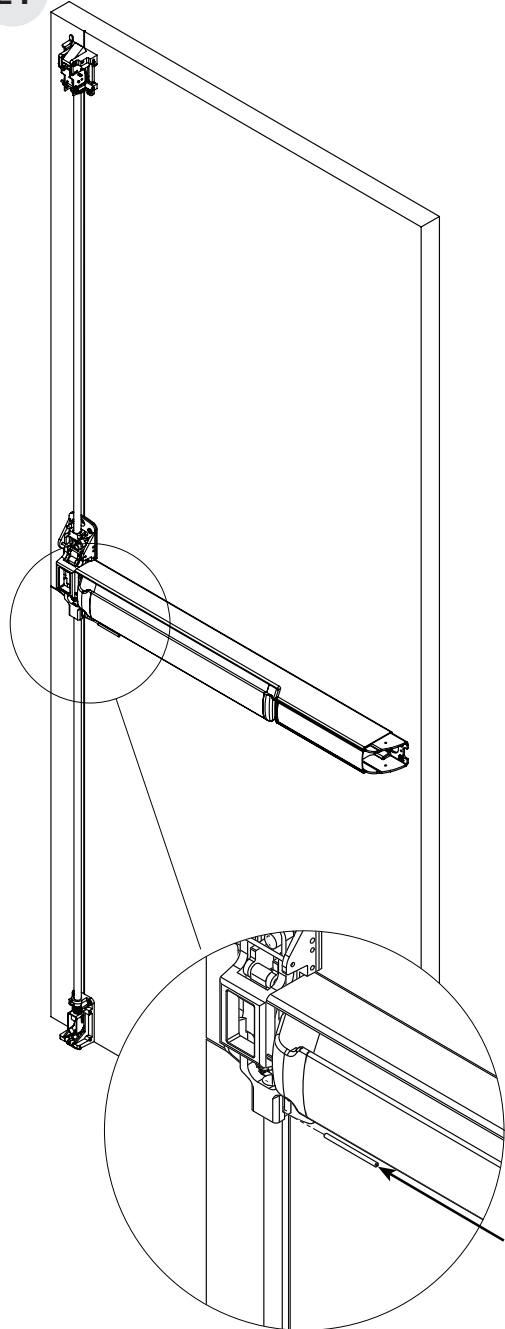


ASSA ABLOY

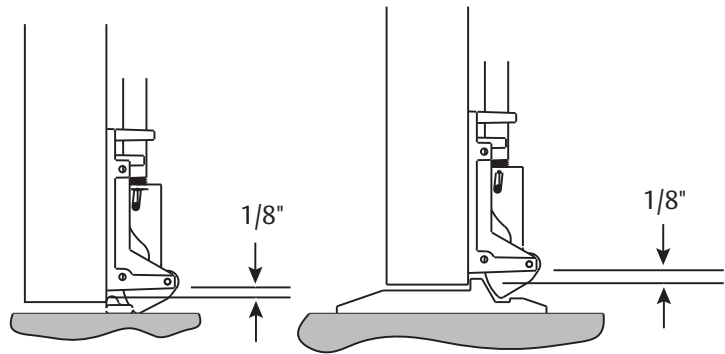
Surface Vertical Rod Exit Device

Installation Instructions

21



MORTISE APPLIED STRIKES



SURFACE APPLIED STRIKES

LATCHTRACK THRESHOLD (BY OTHERS) STRIKES

Rod adjustment pin

Insert rod adjustment pin into middle hole. Raise or lower to achieve gap indicated for strike application. (See strike diagram above.)

PED5400 Series (Standard, A, HC, & HC4)



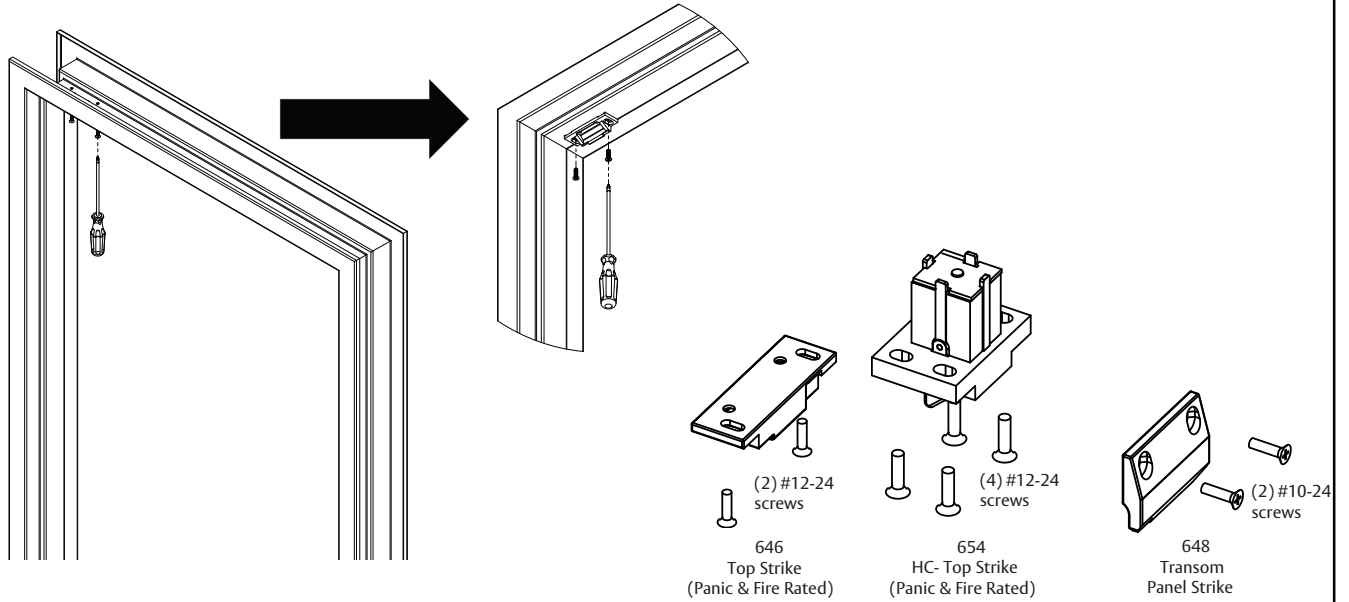
ASSA ABLOY

Surface Vertical Rod Exit Device

Installation Instructions

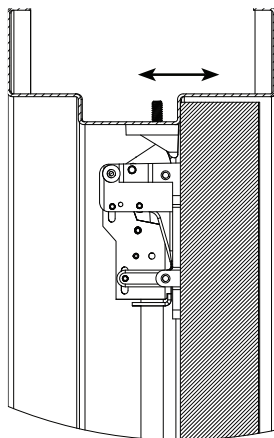
Attach the top strikes:

22



Mount top strike in position, and tighten screws.

23



- Adjust the top strike, front to back using slots in strike.
- To increase engagement, shim the top strike.

PED5400 Series (Standard, A, HC, & HC4)



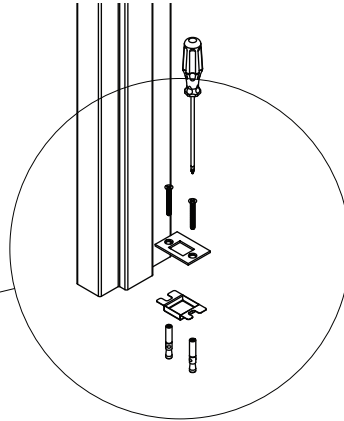
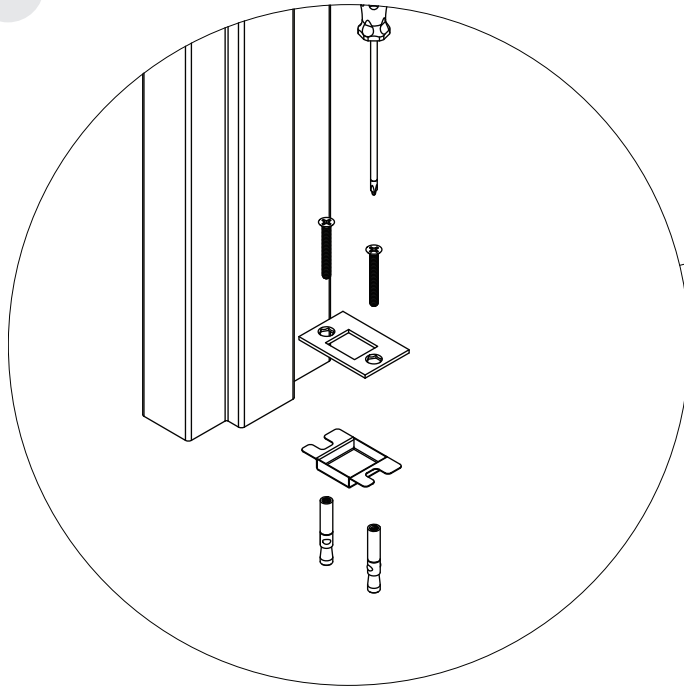
ASSA ABLOY

Surface Vertical Rod Exit Device

Installation Instructions

Attach the bottom strikes (Skip this step for M55 option):

24



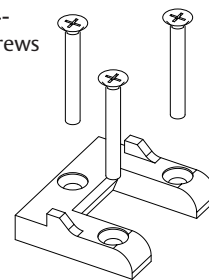
624 Bottom Strike
(Panic)

(2) #12-24 screws



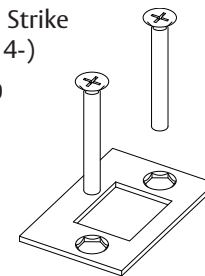
653 Bottom Strike
Alternate Strike for
HC-, 12-, 14-

(3) 1/4-20 screws



655 Bottom Strike
(HC, 12- & 14-)

(2) 1/4-20
screws



Note: Use two (2) mortise nuts (when provided) in the position illustrated in the bottom case. Steel mortise nuts are twin knurled for identification.

For thresholds with integral strikes, skip to step 25.

For surface applied strikes 624 or 653:

WITH DOOR CLOSED:

- Transfer vertical centerline to floor or threshold and mark.
- Engage bottom strike with latchbolt and center on line marked.
- Mark mounting holes.
- Drill holes for required fasteners.
- Mount strike with fasteners provided.
- Tighten screws securely.

For mortised strikes: 636 or 655:

- Follow steps above.
- Mark mounting holes and outline of strike.

PED5400 Series (Standard, A, HC, & HC4)

Surface Vertical Rod Exit Device

Installation Instructions

Adjust top and bottom rods:

25

Fine adjustment is made by turning the rod into the top and bottom case to shorten or out of the top and bottom case to lengthen.

Rough adjustment is made by changing hole used for the adjustment pin.

Top Rod Adjustments:

- Push on door as you push on the rail assembly.
- As soon as the door opens, release rail. The top bolt should be in the hold back position.
- If not, extend top bolt.

Note: The top bolt must go into hold back position prior to the door opening.

Bottom Rod Adjustments:

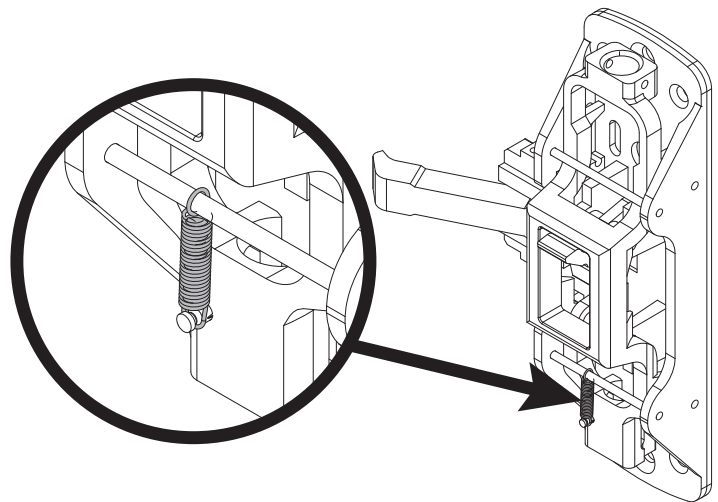
- Extend bottom bolt for maximum engagement with the bottom strike.
- When the top bolt is in, hold back, it also holds the bottom bolt in the retracted position.
- Always verify that when the bottom bolt is in the retracted position, the bolt clears the finished floor by at least 1/8" through the swing of the door.

Note: Both the top and bottom latch bolts must be adjusted for maximum engagement.

5CH Option

Once rods are adjusted, attach spring to groove pin on chassis main slide.

Note: Spring not required for less bottom rod devices (M55).



PED5400 Series (Standard, A, HC, & HC4)

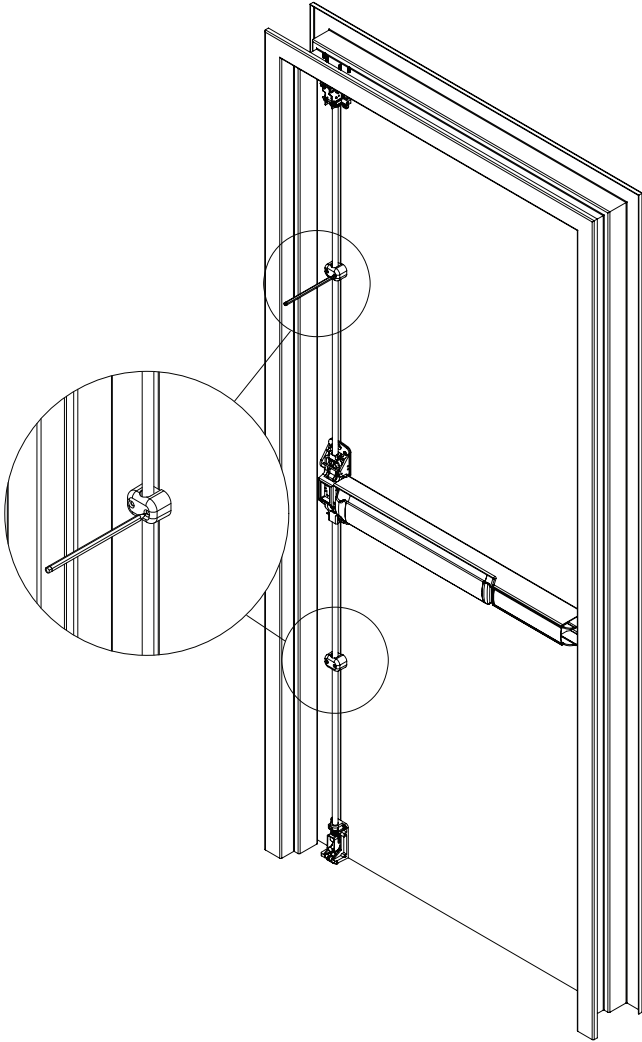


ASSA ABLOY

Surface Vertical Rod Exit Device

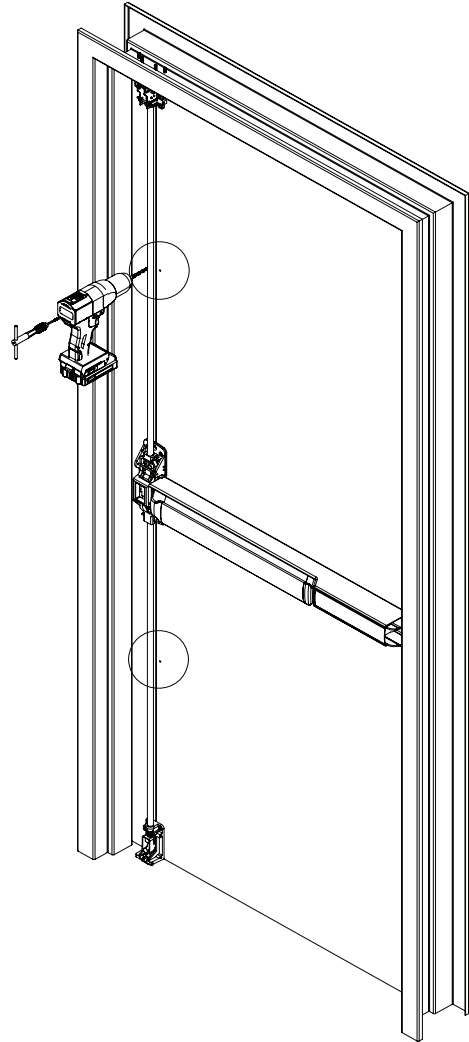
Installation Instructions

26



Center rod guides. Mark hole locations.

27



Drill and tap rod guide mounting holes #10-24
(4 Places).

PED5400 Series (Standard, A, HC, & HC4)

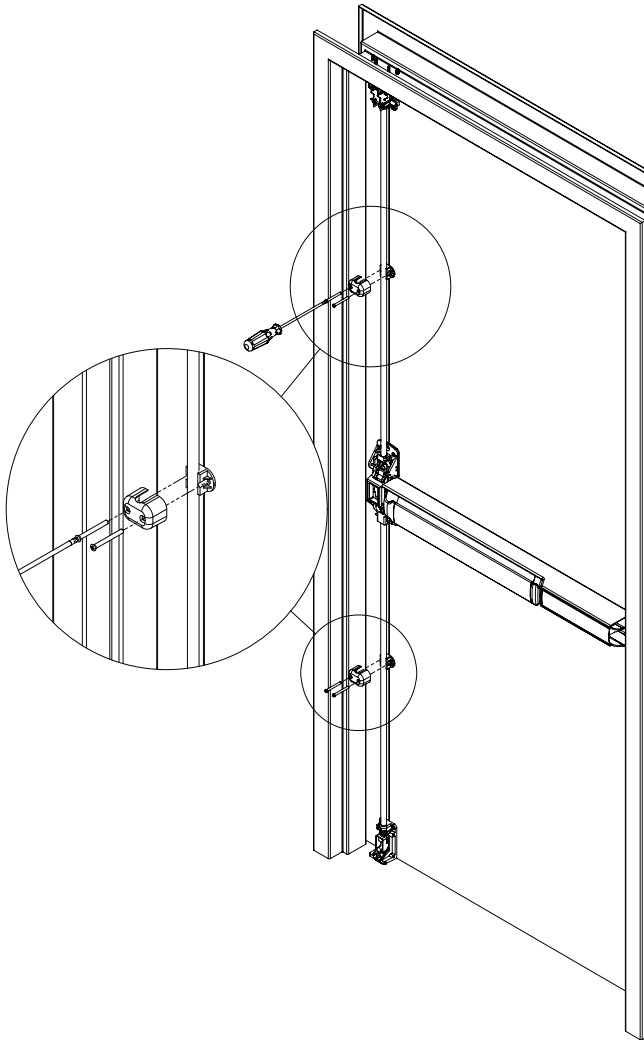


ASSA ABLOY

Surface Vertical Rod Exit Device

Installation Instructions

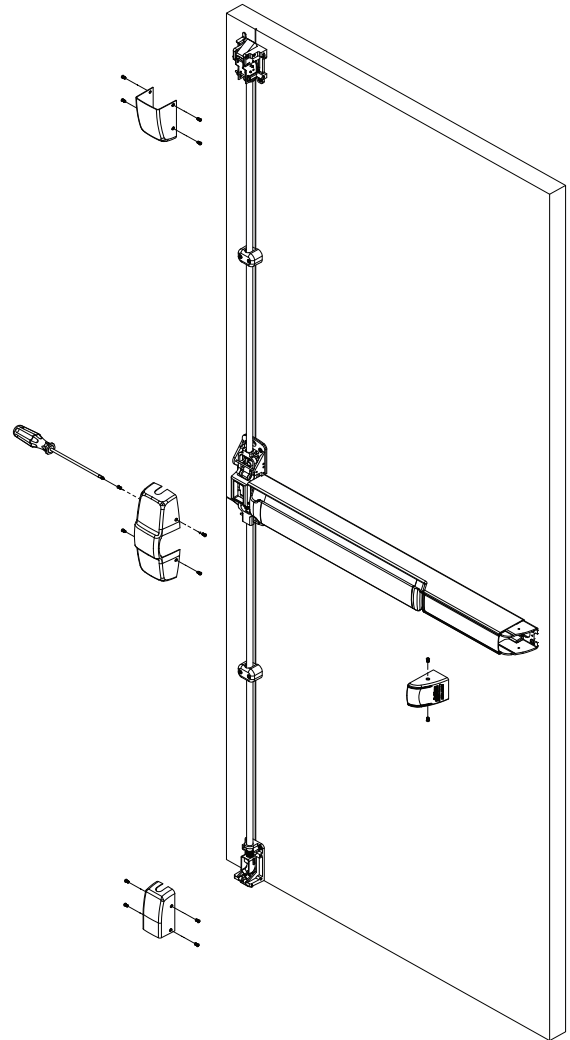
28



Install top and bottom rod guides. Rod must float freely in guide without rubbing.

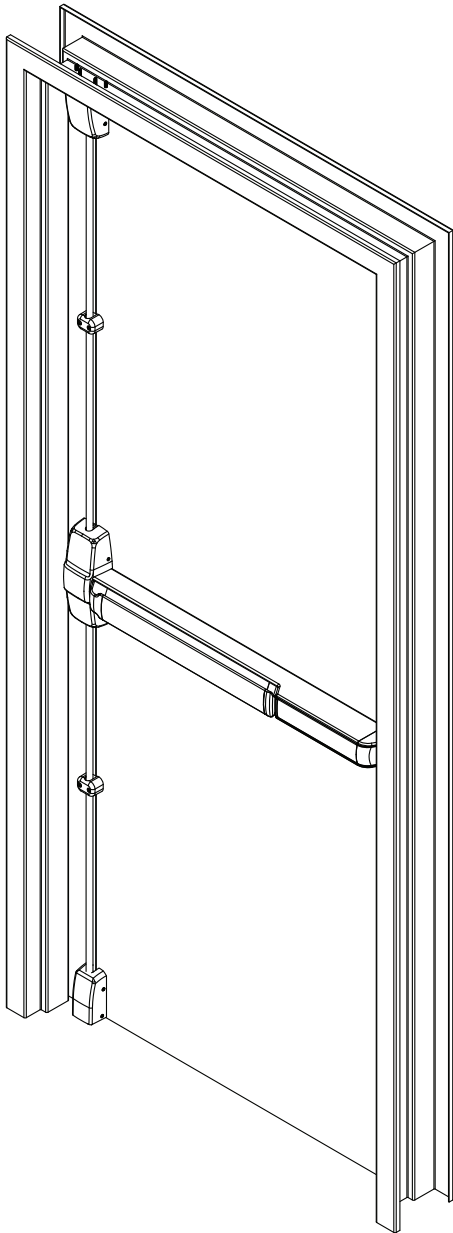
Note: For doors over 96": Install two (2) top rod guides equally spaced between the top case and the chassis cover.

29



Install top, bottom, and center chassis covers as shown. Install end cap as shown.

30



Check for proper operation.