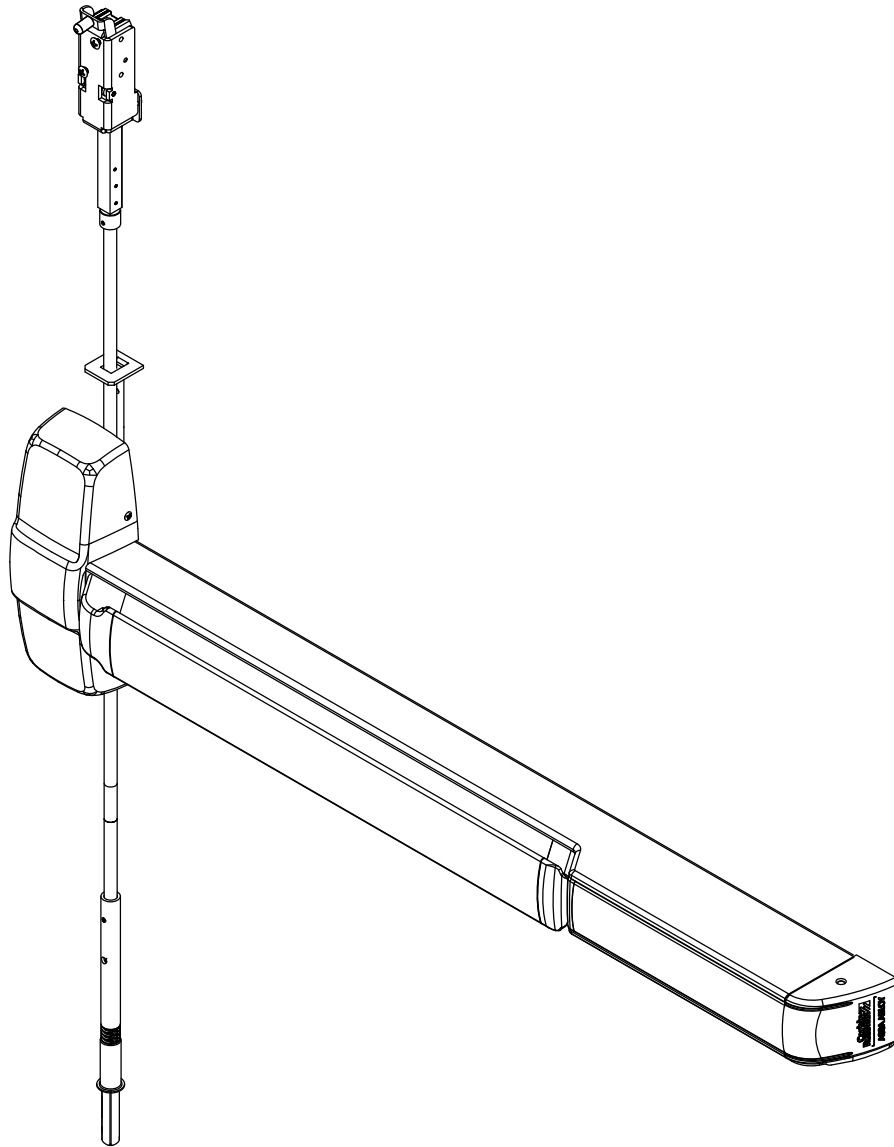


Installation Instructions



PED5800 Series (A MD, MD, and AD)

Concealed Vertical Rod Exit Devices



WARNING

This product can expose you to lead which is known to the state of California to cause cancer and birth defects or other reproductive harm. For more information go to www.P65warnings.ca.gov.

1-800-543-3658 • techsupport.corbinrusswin@assaabloy.com

Copyright © 2023 ASSA ABLOY Access and Egress Hardware Group, Inc. All rights reserved. Reproduction in whole or in part without the express written permission of ASSA ABLOY Access and Egress Hardware Group, Inc. is prohibited. Patent pending and/or patent www.assaabloydss.com/patents.

WARNING

Attention Installer: Improper installation may result in damage to the product and void the factory warranty.

FM581 1/23

Experience a safer
and more open world



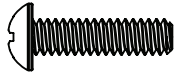

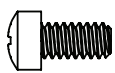

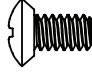



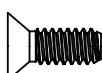


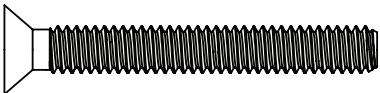
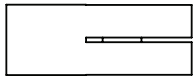


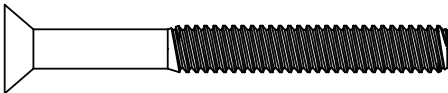
PED5800 Series (A MD, MD, AD)



Concealed Vertical Rod Exit Devices

Installation Instructions

Screw Chart

SCREW	TOTAL QTY SUPPLIED	WHERE USED
  #10-24 X 3/4" FLAT HEAD MACHINE SCREW	4	(4) CHASSIS CORNER MOUNTING HOLES
  #10-24 X 3/4" ROUND HEAD MACHINE SCREW	2	(2) REAR MOUNTING PLATE
  #10-24 X 3/8" FILLISTER HEAD MACHINE SCREW	1	(1) INNER CHASSIS TOP MOUNTING HOLE
  #10-24 X 3/8" OVAL HEAD MACHINE SCREW	4	(2) TOP CASE (2) BOTTOM PLATE (IF AD)
  1/4"-20 X 1/2" FLAT HEAD MACHINE SCREW	2	(2) BOTTOM PLATE (MD OR FIRE RATED)
  #10-24 X 1/2" U'CUT FLAT HEAD MACHINE SCREW	5	(1) INNER CHASSIS BOTTOM MOUNTING HOLE (2) 640 OR 650 STRIKE, TOP (METAL FRAME) (2) 640 OR 650 STRIKE, BOTTOM (METAL FRAME)
 #10 X 1-1/4" FLAT HEAD WOOD SCREW	2	(2) 650 STRIKE, TOP (WOOD FRAME) (2) 650 STRIKE, BOTTOM (WOOD FRAME)
  1/4"-20 X 2" FLAT HEAD MACHINE SCREW W/ANCHOR	2	(2) 606 BOTTOM STRIKE (FIRE RATED)
 #8-32 X 5/16" W/ #6 OVAL HEAD MACHINE SCREW	4	(2) CHASSIS COVER FRAME SIDE (2) END CAP
 #8-32 X 5/8" W/ #6 OVAL HEAD MACHINE SCREW	2	(2) CHASSIS COVER RAIL SIDE
 1/4"-20 X 2-3/8" KNURLED FLAT HEAD MACHINE SCREW	2	(2) EXIT TRIM (IF USED)

PED5800 Series (A MD, MD, AD)

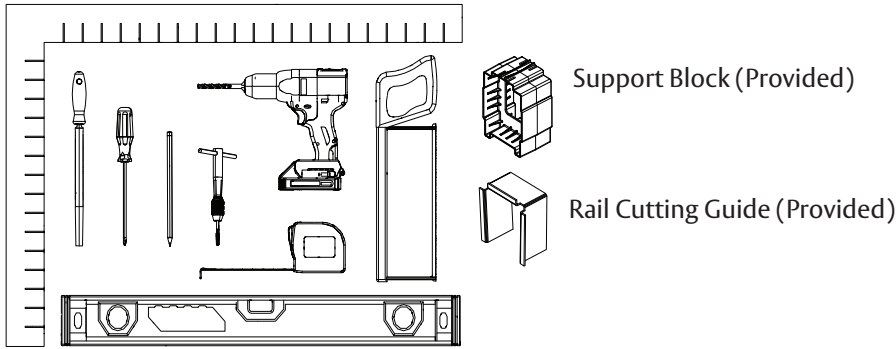
Concealed Vertical Rod Exit Devices



Installation Instructions

Equipment Needed

Tools



Support Block (Provided)

Rail Cutting Guide (Provided)

Strike Packs

<p>Strike Pack for PED5800 AD</p> <p>640 TOP AND BOTTOM STRIKE</p> <p>STRIKE (2 REQUIRED)</p> <p>#10 X 1/2" PHILLIPS FLAT HEAD MACHINE SCREW (4 IN PACK FOR TOP AND BOTTOM STRIKE)</p>	<p>Strike Pack for PED5800 MD</p> <p>650 TOP AND BOTTOM STRIKE</p> <p>STRIKE (2 REQUIRED)</p> <p>#10 X 1/2" PHILLIPS FLAT HEAD MACHINE SCREW (2 IN PACK FOR TOP STRIKE)</p> <p>#10 X 1-1/4" PHILLIPS FLAT HEAD WOOD SCREW (2 IN PACK FOR BOTTOM STRIKE)</p>	<p>Strike Pack for PED5800 A M55</p> <p>650 TOP STRIKE</p> <p>#10-24 X 1/2" PHILLIPS FLAT HEAD MACHINE SCREW (2 IN PACK FOR TOP STRIKE)</p> <p>606 BOTTOM STRIKE</p> <p>MACHINE SCREW AND ANCHOR (2 PIECES)</p>
--	---	---



Before installation:

1. Fit and hang door.
2. Check the box's label for the size of the exit device.



The surface of the door where the exit device is to be applied must be flush. Clear away any raised projections to allow exit device to rest on the flat surface of the door. If shim kit is required, contact your distributor.

Note: Please refer to trim and other installation instructions provided in the box.

PED5800 Series (A MD, MD, AD)

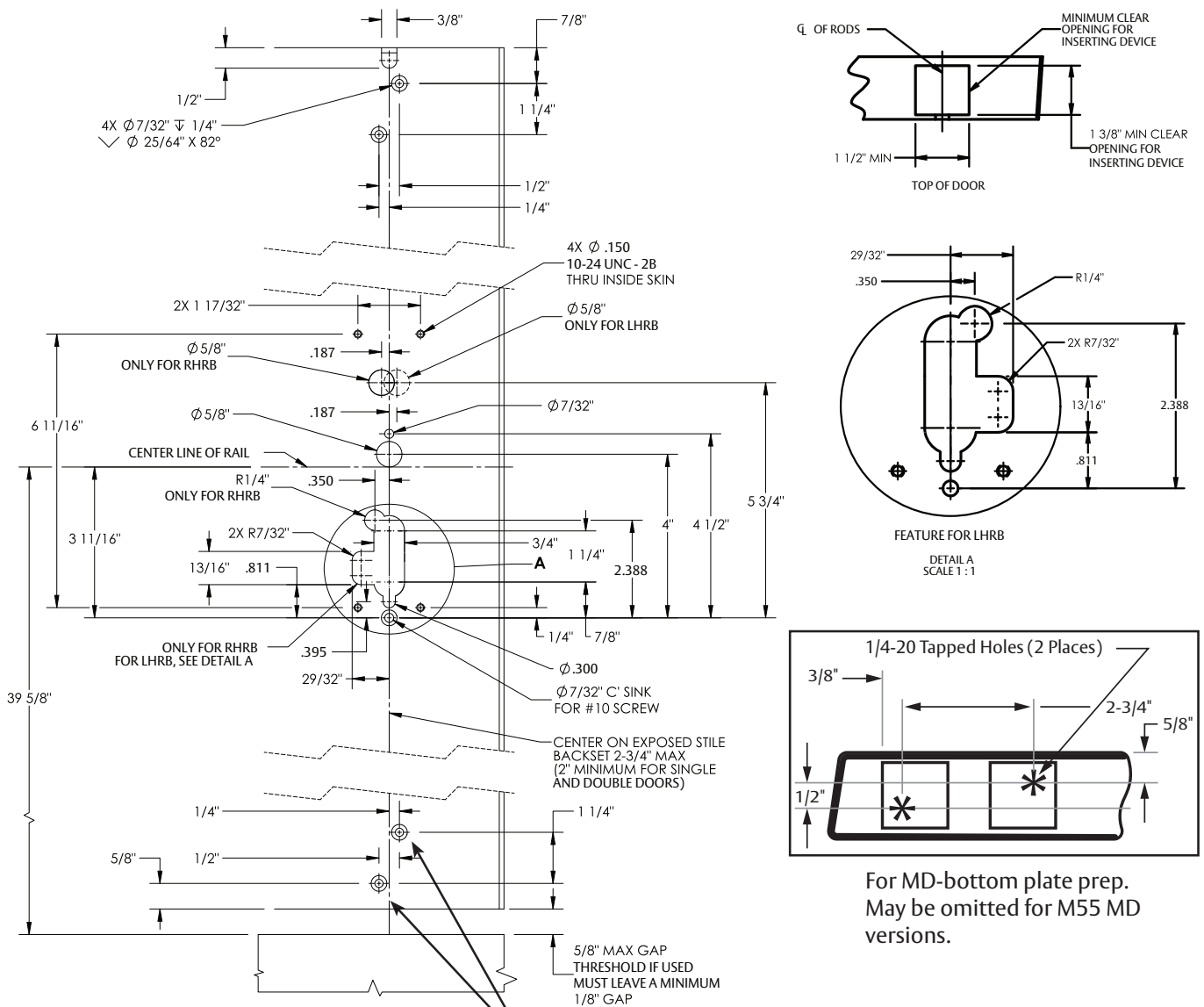


ASSA ABLOY

Concealed Vertical Rod Exit Devices

Installation Instructions

Template PE5800 AD, PE5800 AD M55, PED5800 MD, PED5800 MD M55, PED5800 A MD, PED5800 A MD M55



NOTES:

1. DOOR PREPARATION SHOWN FOR INSIDE DOOR ONLY.
2. IF OUTSIDE PULL AND/OR OUTSIDE CONTROL IS USED, SEE APPROPRIATE DOOR TEMPLATE FOR OUTSIDE DOOR PREP.
3. *MIN BACKSET FOR SINGLE DOOR IS BASED ON 1/2" FRAME STOP, LARGER FRAME STOPS REQUIRE LARGER BACKSET.
4. SURFACE OF DOOR WHERE EXIT DEVICE IS TO BE APPLIED, MUST BE FLUSH.
5. WE RECOMMEND THAT ALL TAPPED HOLES BE DRILLED AND TAPPED IN FIELD.
6. TOLERANCE ALL FRACTIONAL DIMENSIONS $\pm 1/64$ ".
7. BOTTOM AND TOP STRIKES MUST BE USED, SEE STRIKE TEMPLATE NO. MEDT6.
8. SEE TEMPLATE NO. MEDT7 FOR AUX CONTROL IF REQ'D.
9. FOR DEVICES WITH NO BOTTOM ROD, HOLES FOR BOTTOM CASE ARE NOT REQUIRED.

Omit holes for M55 AD version and all MD versions.

For MD-bottom plate prep. May be omitted for M55 MD versions.

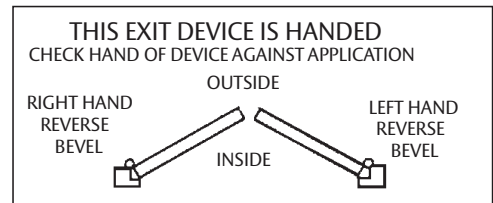
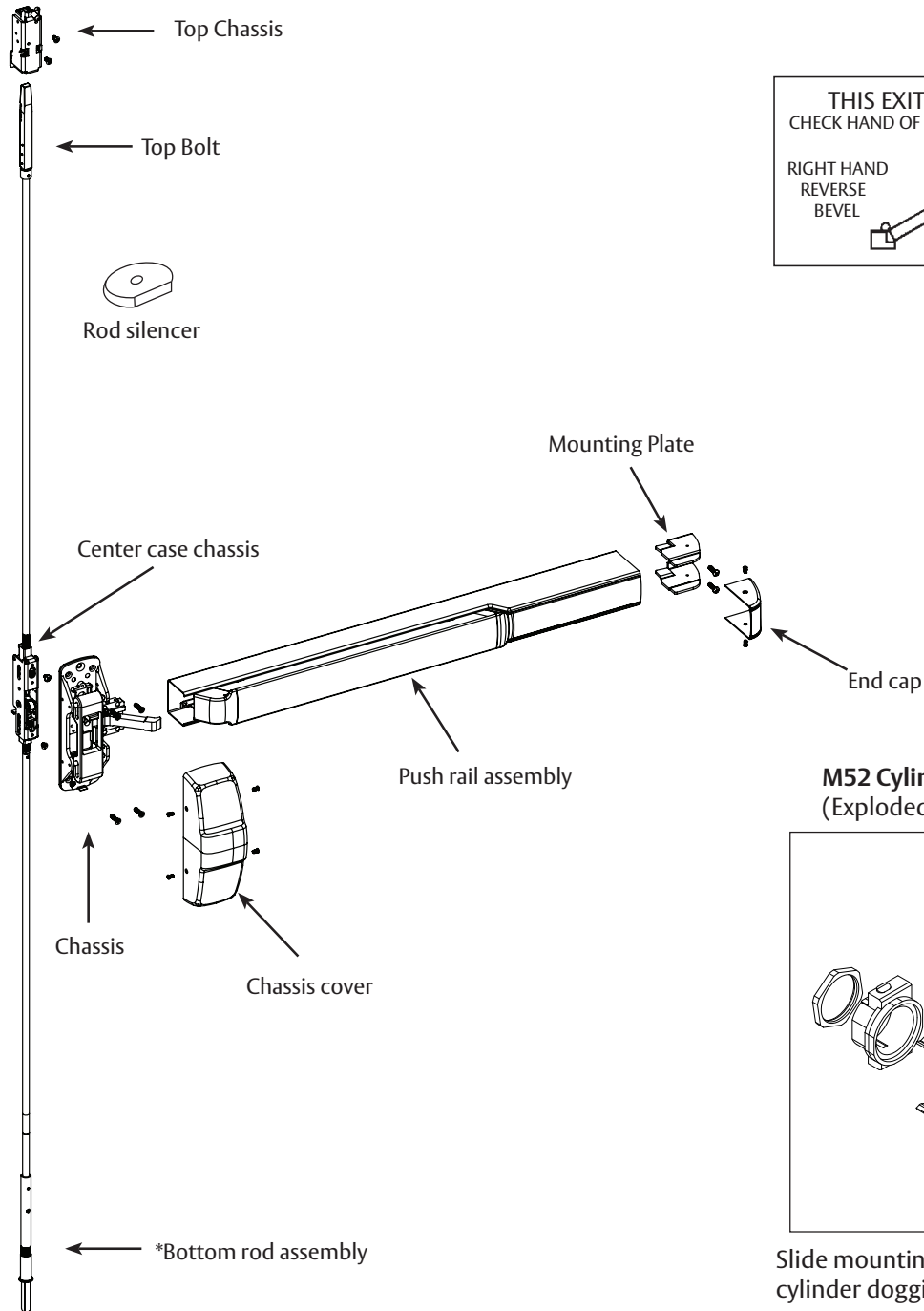
PED5800 Series (A MD, MD, AD)



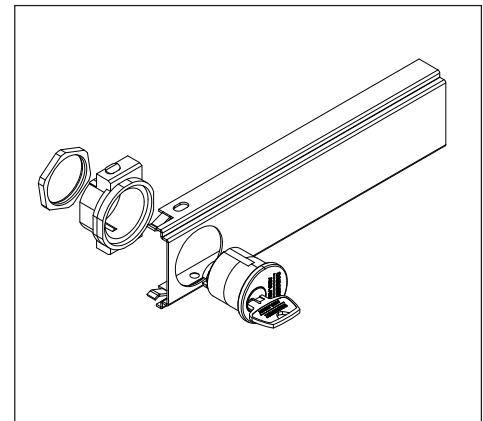
Concealed Vertical Rod Exit Devices

Installation Instructions

Exploded View



M52 Cylinder Lockdown
(Exploded View For Clarity)



Slide mounting rail insert with M52 cylinder dogging into mounting rail.

*Note: The PED5800 AD M55, PED5800 MD M55 & the PED5800 A MD M55 do not have a bottom rod assembly.

1-800-543-3658 • techsupport.corbinrusswin@assaabloy.com

Copyright © 2023 ASSA ABLOY Access and Egress Hardware Group, Inc. All rights reserved. Reproduction in whole or in part without the express written permission of ASSA ABLOY Access and Egress Hardware Group, Inc. is prohibited. Patent pending and/or patent www.assaabloyds.com/patents.

FM581 1/23

PED5800 Series (A MD, MD, AD)

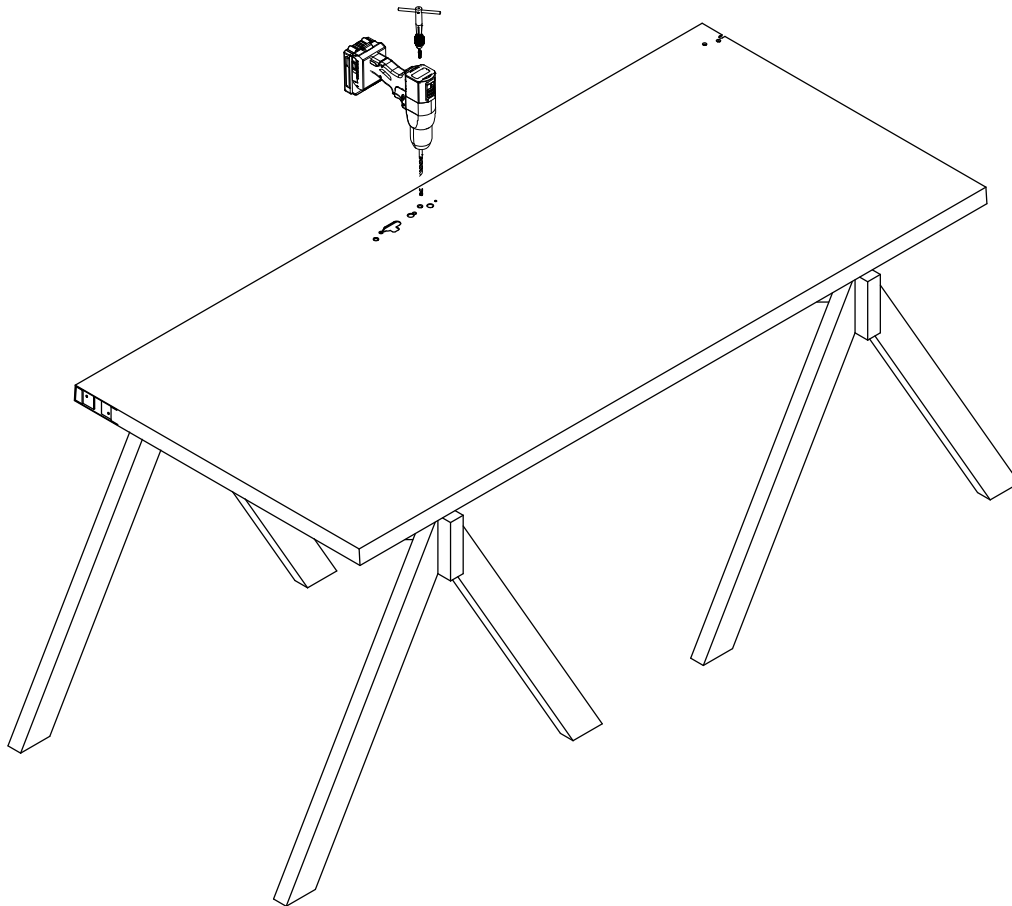
Concealed Vertical Rod Exit Devices

Installation Instructions



ASSA ABLOY

1



Remove door from frame, and prepare the door per template.

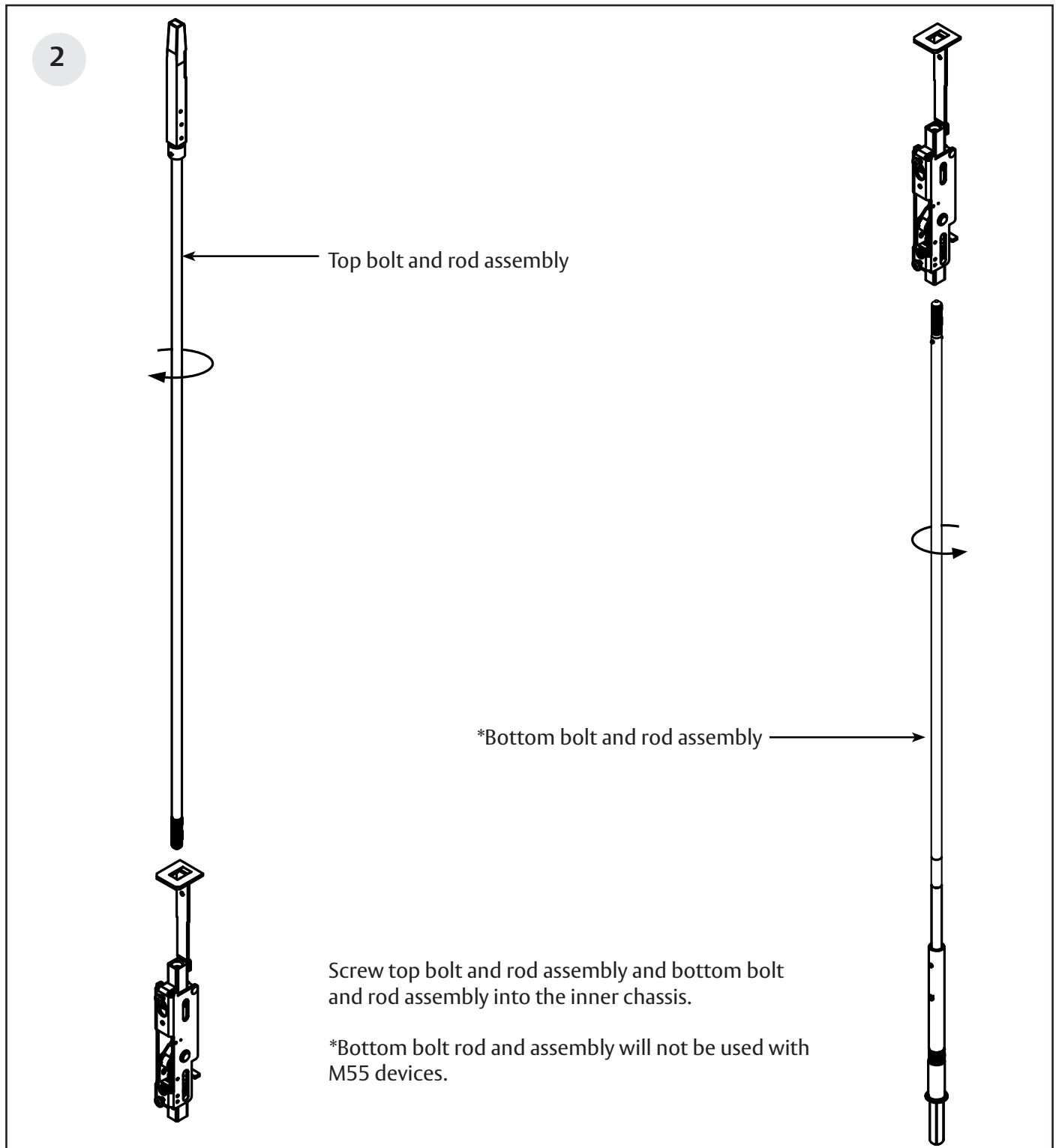
PED5800 Series (A MD, MD, AD)



ASSA ABLOY

Concealed Vertical Rod Exit Devices

Installation Instructions



PED5800 Series (A MD, MD, AD)

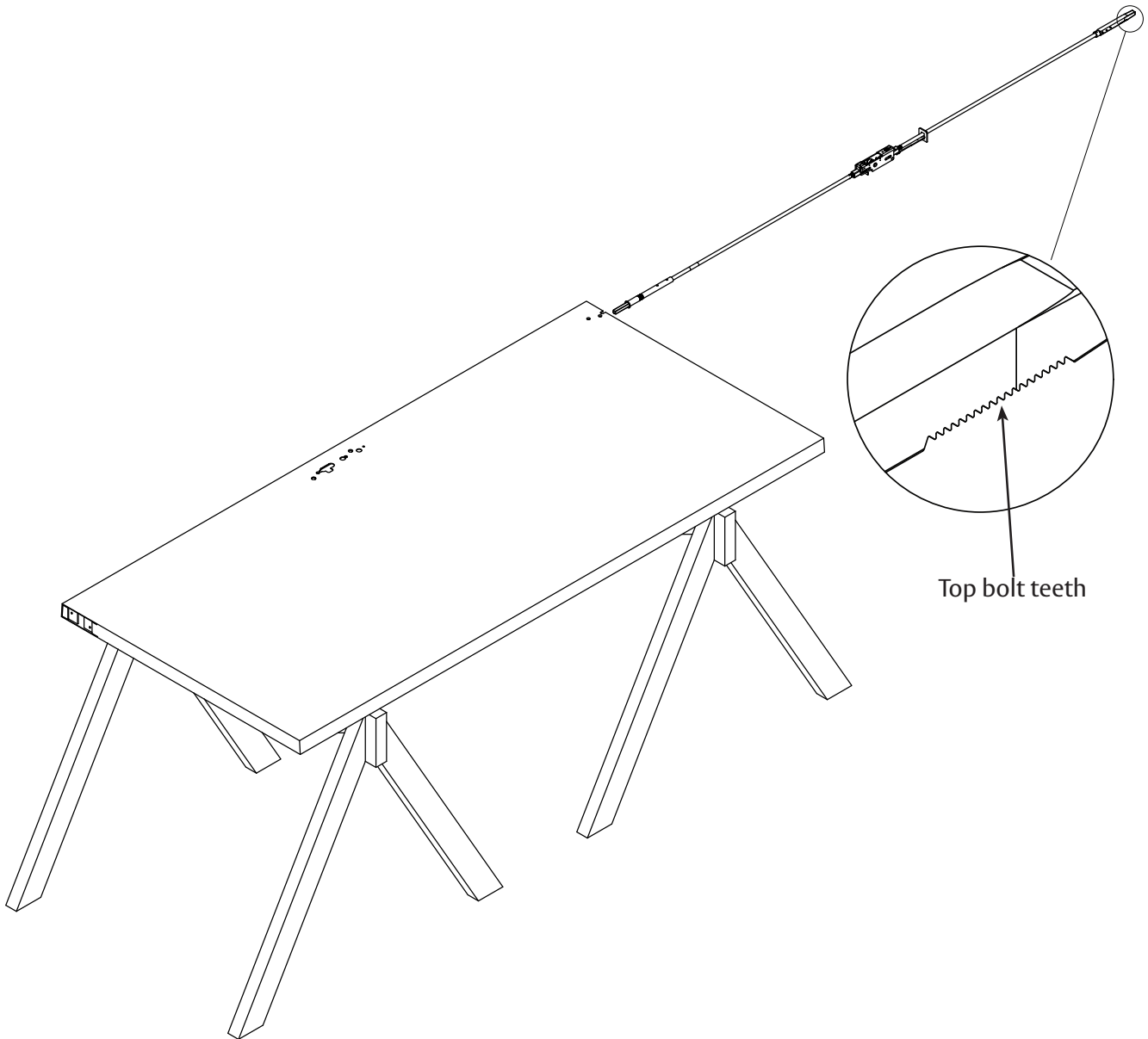
Concealed Vertical Rod Exit Devices

Installation Instructions



ASSA ABLOY

3



Feed rod and inner chassis assembly into the door. Ensure teeth face down and top bolt teeth are opposite the inside door prep.

PED5800 Series (A MD, MD, AD)

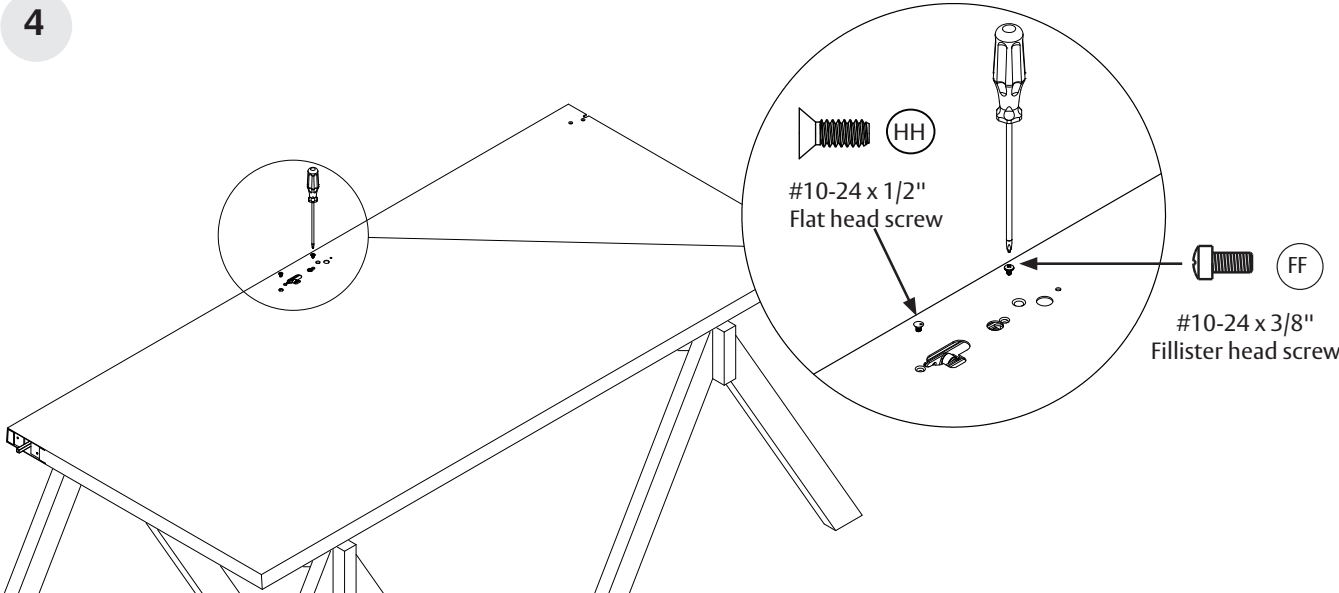


ASSA ABLOY

Concealed Vertical Rod Exit Devices

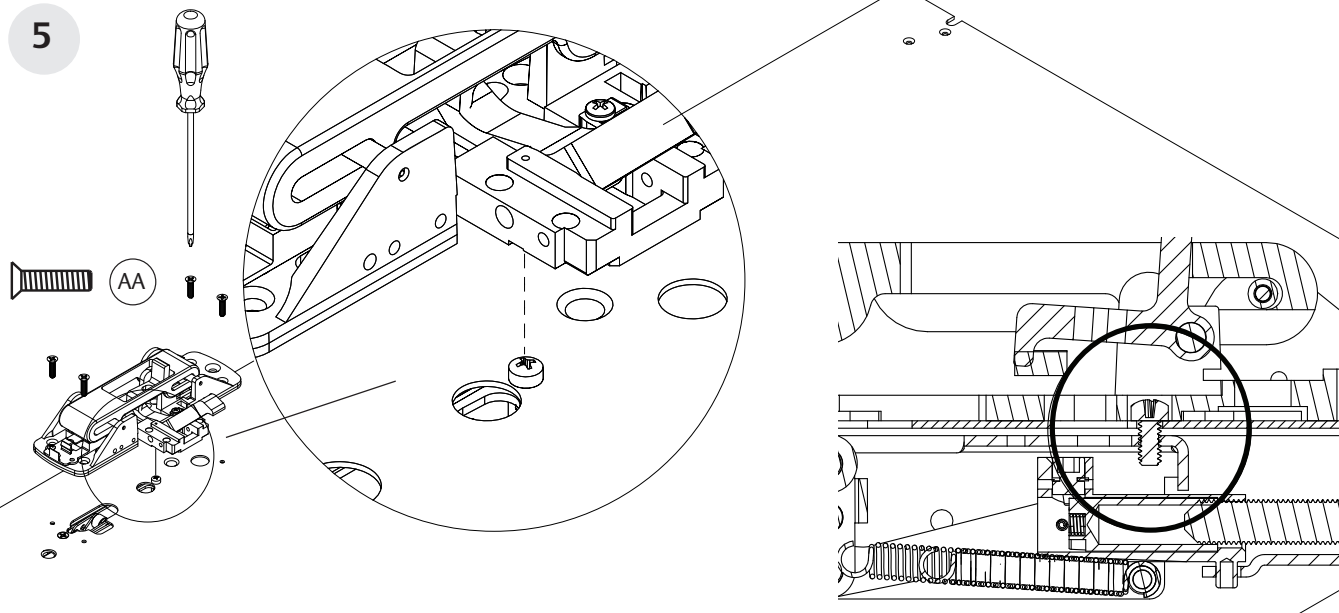
Installation Instructions

4



Attach inner case chassis to the door with (1) #10-24 x 1/2" flat head screw (HH) and secure with (1) #10-24 x 3/8" fillister head machine screw (FF). If PT Series trim is being used, it must be installed at this point. See trim instructions for details.

5



Locate chassis on the fillister head screw (FF). Attach to the door with (4) #10-24 x 3/4 flat head screws (AA). **Do not fully tighten screws.**

PED5800 Series (A MD, MD, AD)

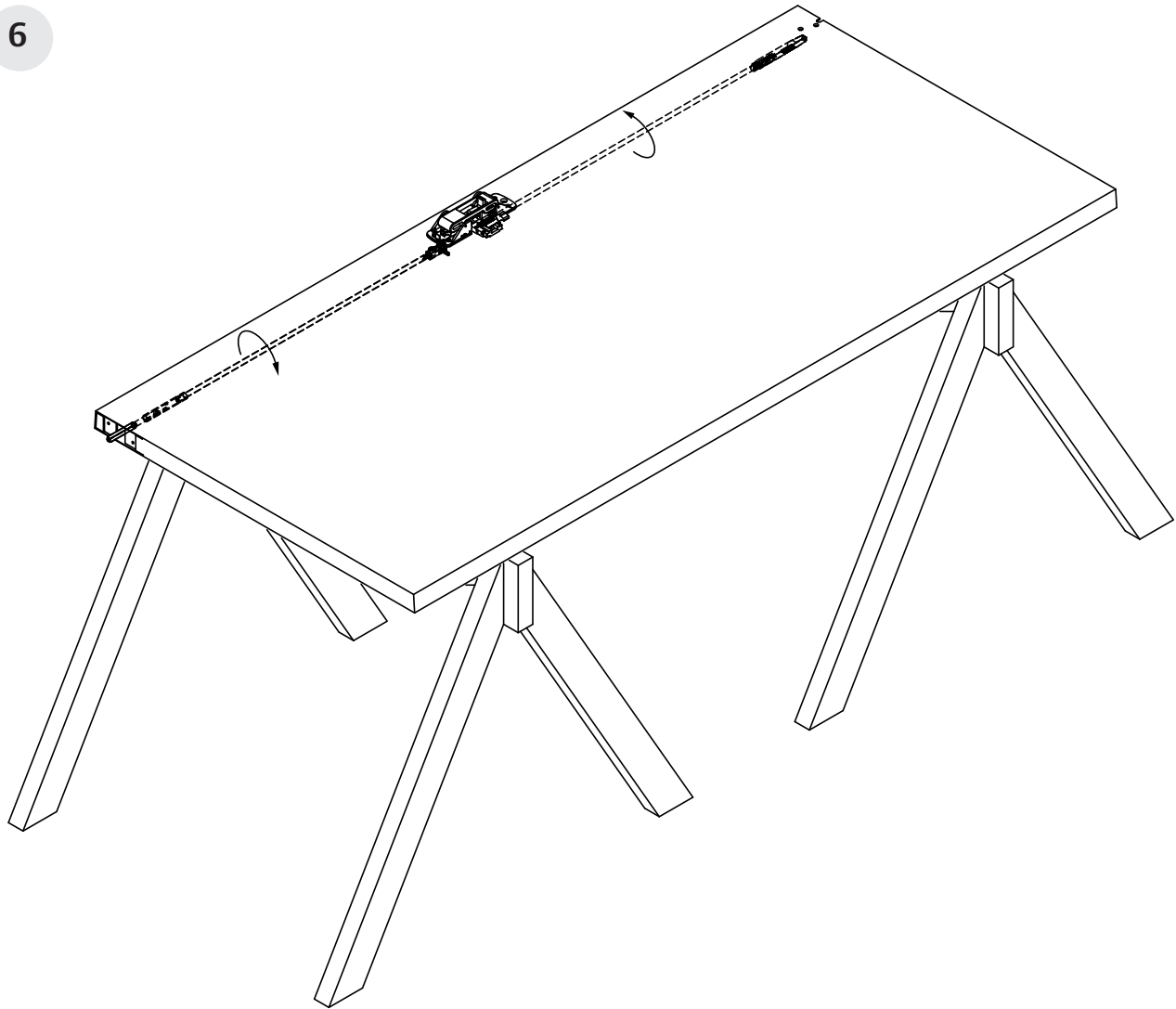


ASSA ABLOY

Concealed Vertical Rod Exit Devices

Installation Instructions

6



Adjusting the top bolt and rod assembly

- 1/8" gap or less between door top and frame: Rotate bolt to make it even with the top of the door.
- 1/8" gap or greater: Bolt must extend above the door, equal to the gap, minus 1/8".

Adjusting the bottom bolt and rod assembly (Not needed for M55 exit devices)

- 1/8" gap or less between door bottom and high point: Rotate bolt to make it even with the top of the door.
- 1/8" gap or greater: Bolt must extend below the door, equal to the gap, minus 1/8".

Note: Rod must be retracted while adjusting bolt projection. Depress chassis lift arm to retract top bolt and rod assembly.

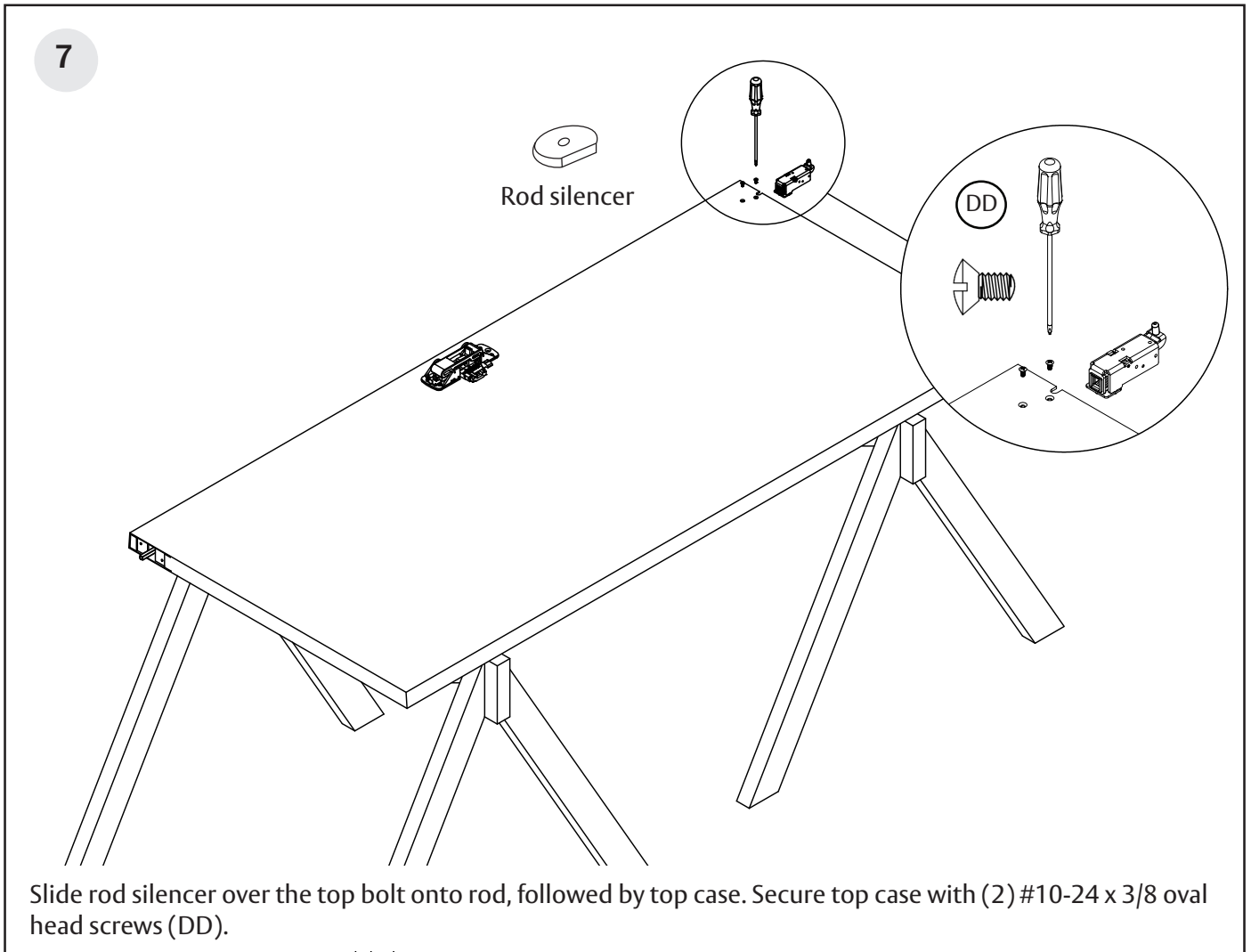
PED5800 Series (A MD, MD, AD)



ASSA ABLOY

Concealed Vertical Rod Exit Devices

Installation Instructions



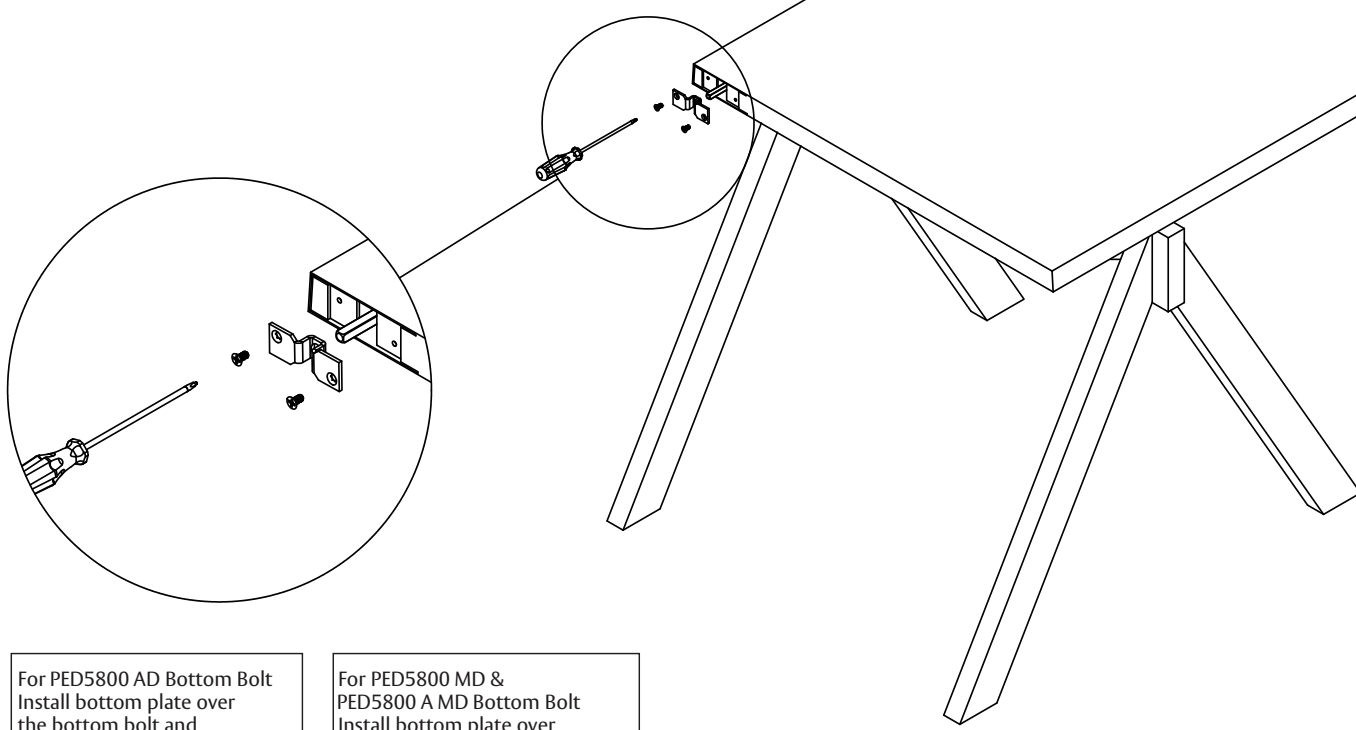
PED5800 Series (A MD, MD, AD)

Concealed Vertical Rod Exit Devices

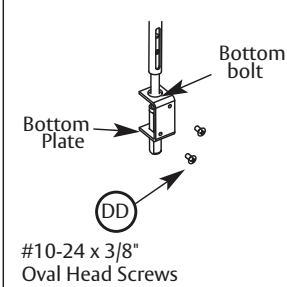
Installation Instructions



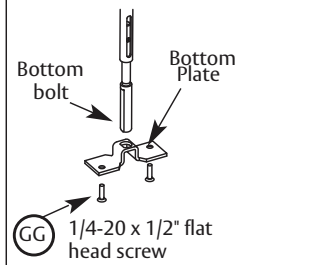
- 8 For AD application
- For MD and A MD application



For PED5800 AD Bottom Bolt
Install bottom plate over
the bottom bolt and
secure with two #10-24 x 3/8"
oval head screws (DD).



For PED5800 MD &
PED5800 A MD Bottom Bolt
Install bottom plate over
the bottom bolt and secure
with two 1/4-20 x 1/2" flat
head screws (GG).



*Bottom plate and screws not included with M55 option.

Install bottom bracket over the bottom bolt and secure with two 1/4-20 x 1/2" flat head screws (GG).
For PED5800 AD use (2) #10-24 x 3/8 oval head screws (DD) on the face of the door.

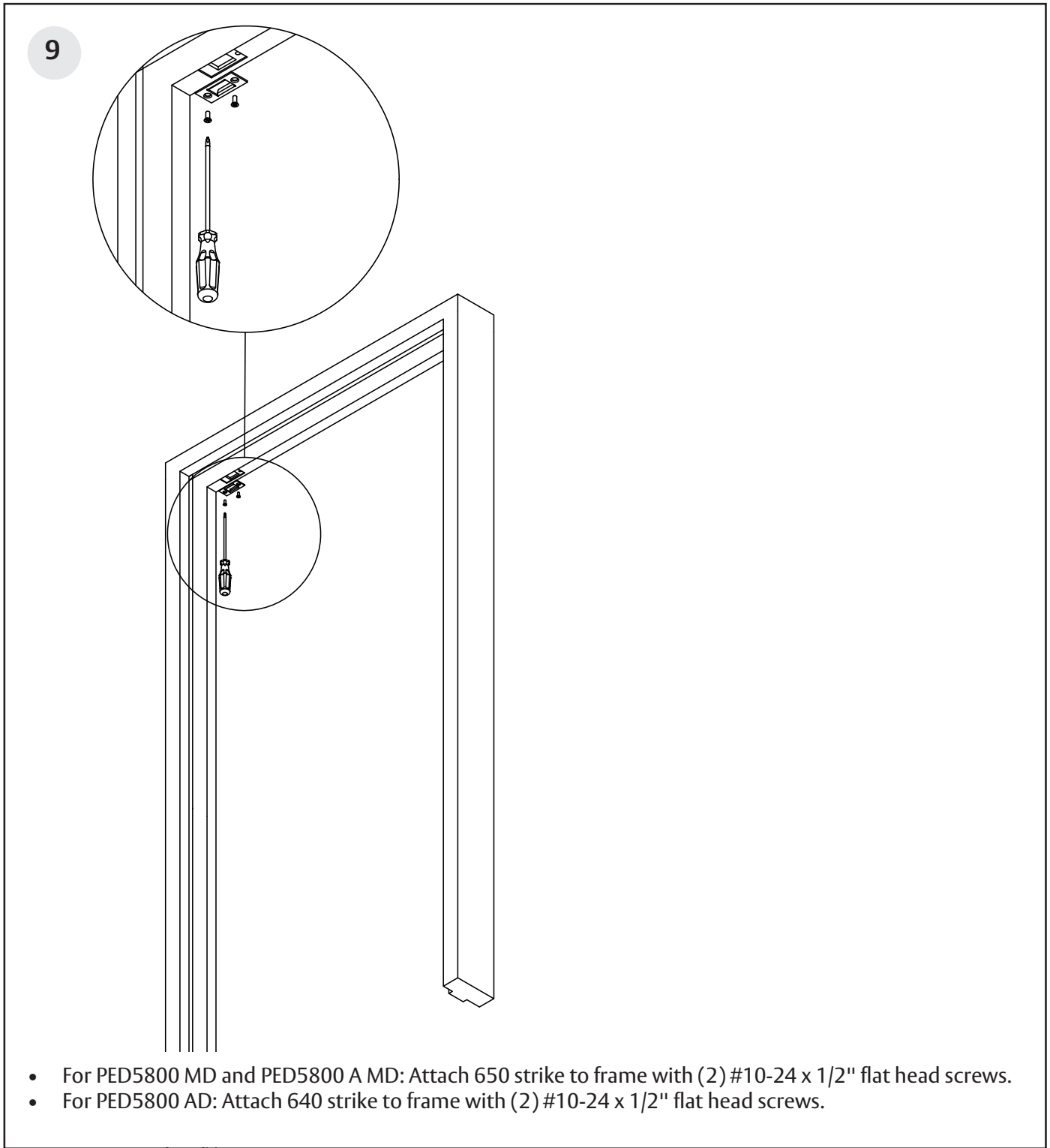
PED5800 Series (A MD, MD, AD)



ASSA ABLOY

Concealed Vertical Rod Exit Devices

Installation Instructions



PED5800 Series (A MD, MD, AD)

Concealed Vertical Rod Exit Devices

Installation Instructions



ASSA ABLOY

10

- For PED5800 MD: Attach 650 bottom strike to floor with anchors and supplied fasteners.
- For PED5800 A MD: Attach 606 bottom strike to floor with anchors and supplied fasteners.
- For PED5800 AD: Attach 640 strike to threshold with supplied fasteners.

11

Reinstall door into the frame.

PED5800 Series (A MD, MD, AD)



ASSA ABLOY

Concealed Vertical Rod Exit Devices

Installation Instructions

Rail cutting guide

If the rail doesn't need to be cut, continue to page 17, step 12.

If the rail must be cut, follow these steps on page 15 and 16.

Refer to the individual exit device installation instructions for rail cutting requirements / restrictions. Instructions will vary based on device type and options.

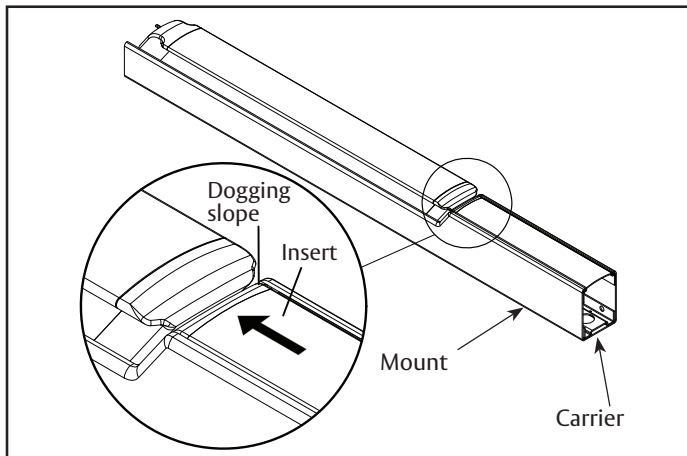
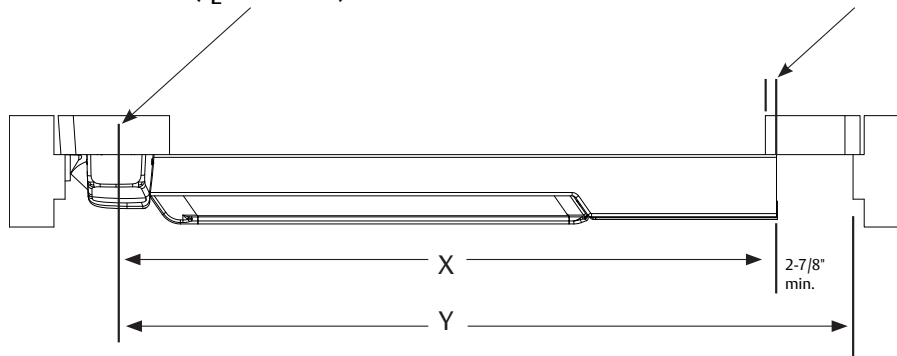
- Determine cut off dimension "X" by subtracting 2-7/8" from dimension "Y". Mark cut off point on mounting rail. (See below.)

Information for Cutting Rails		
Rail Sizes	Door Widths	
	Standard	Minimum
W032	32"	24"
W036 (Std.)	36"	33"
W042	42"	37"
W048	48"	43"

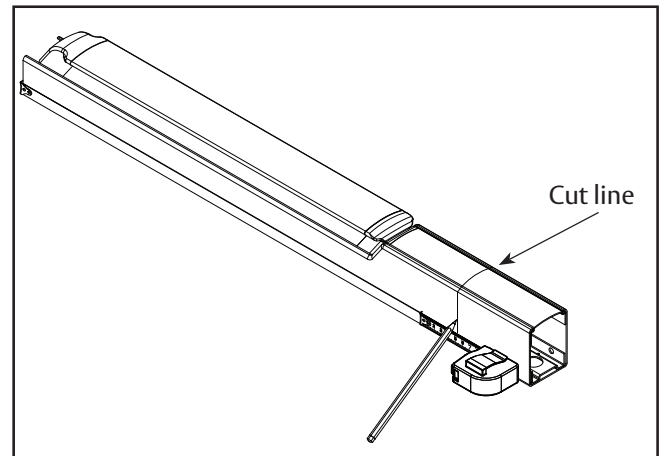
 Do not cut closer than 1-5/8" from the the front edge of the rail insert.

Vertical reference line (C of chassis)

For doors with stile rail, the stile must overlap by 5/16" min.



A. Ensure there isn't a gap between the insert and the dogging slope, and the carrier is flush with the mount.



B. Mark rail at the required cut length.

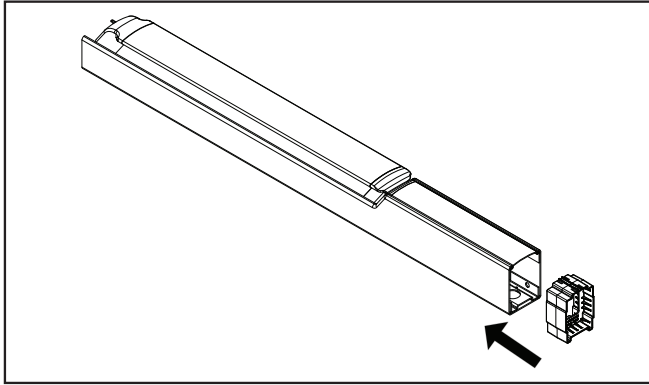
PED5800 Series (A MD, MD, AD)

Concealed Vertical Rod Exit Devices

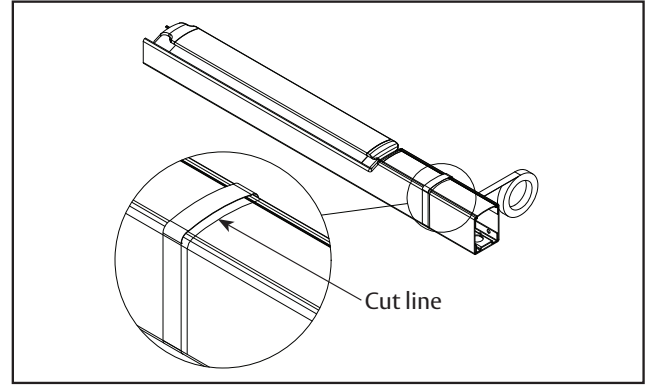
Installation Instructions



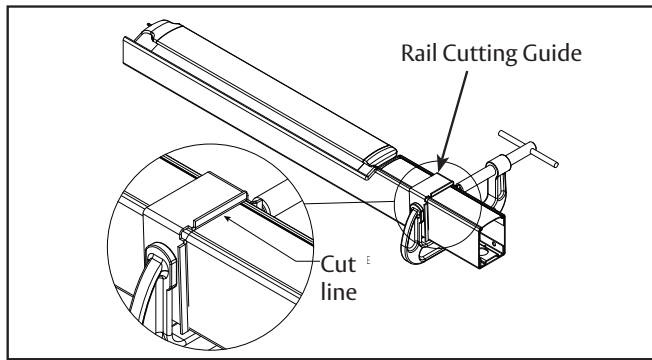
Rail cutting guide, continued.



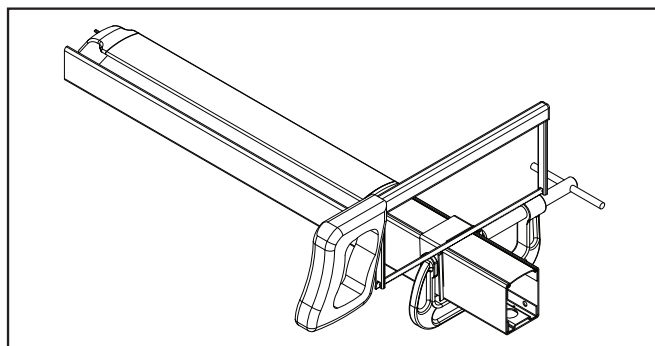
C. Ensure plastic insert support is installed under the cut line.



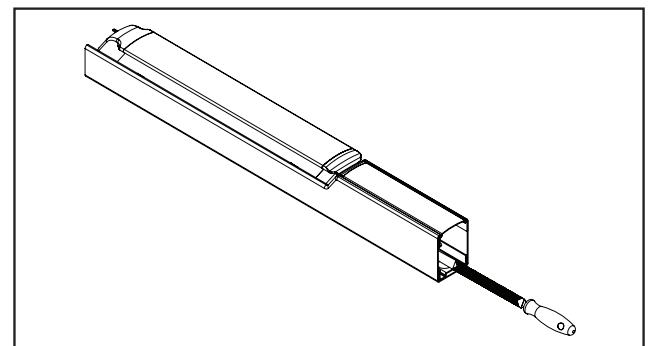
D. Wrap the rail and insert in masking tape, as shown.



E. Place the rail cutting guide over the masking tape and align it with the cut line. Clamp the cut guide to the rail using a C-clamp.



F. Using a hack saw with a new blade or a chop saw with a metal cutting blade, cut the rail, ensuring that the blade stays pressed against the rail cutting guide.



G. Deburr and smooth all cut edges with a file.

PED5800 Series (A MD, MD, AD)

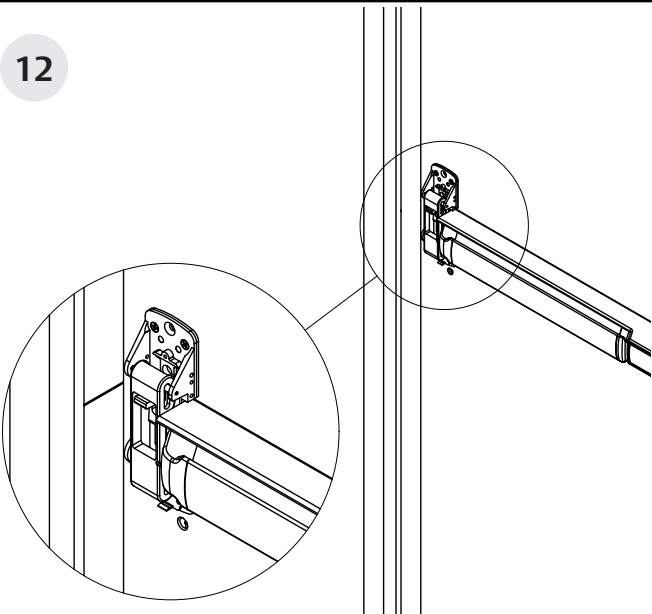


ASSA ABLOY

Concealed Vertical Rod Exit Devices

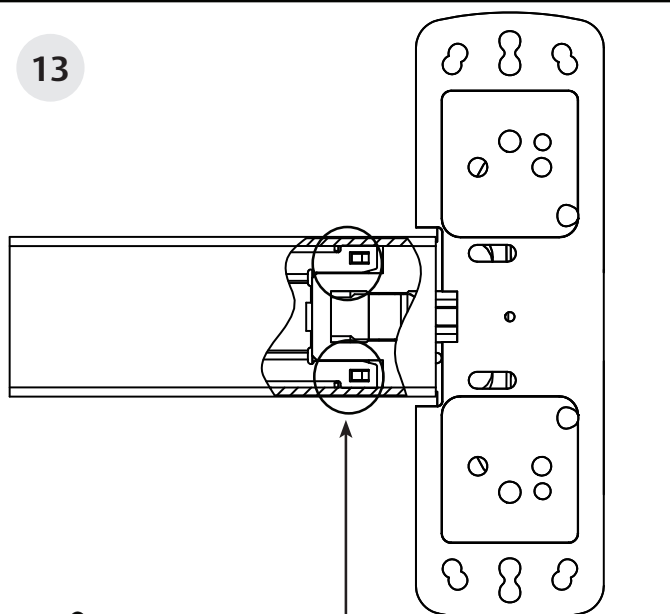
Installation Instructions

12



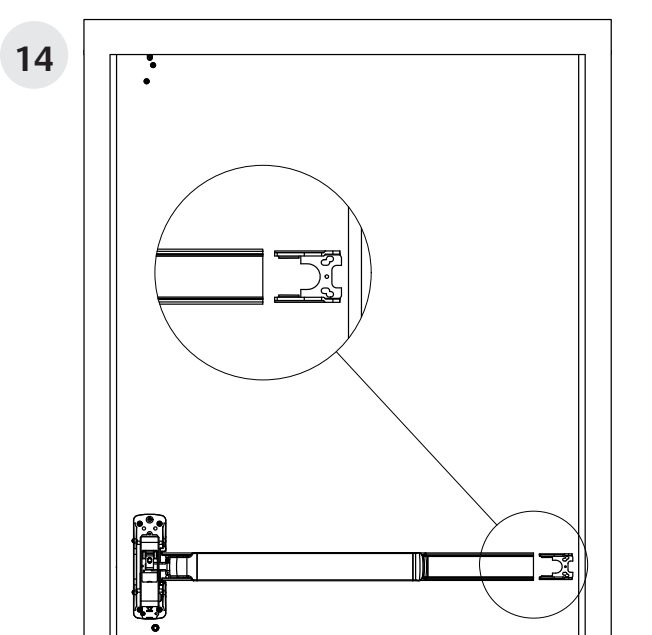
Slide the rail assembly on the chassis. Tighten chassis mounting screws.

13



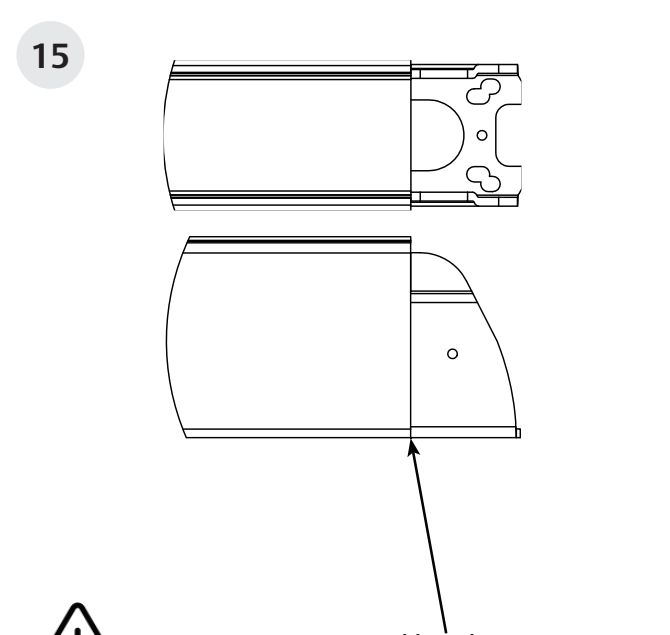
Ensure rail carrier tabs are aligned with chassis.

14



Insert the mounting bracket in the end of the rail.

15



Ensure mounting rail bracket is against the rail without a gap.

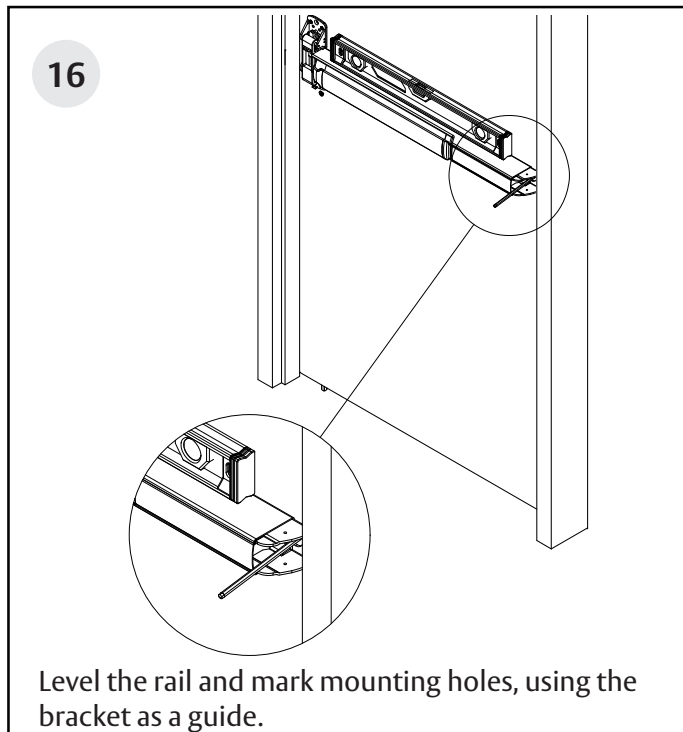
PED5800 Series (A MD, MD, AD)

Concealed Vertical Rod Exit Devices

Installation Instructions

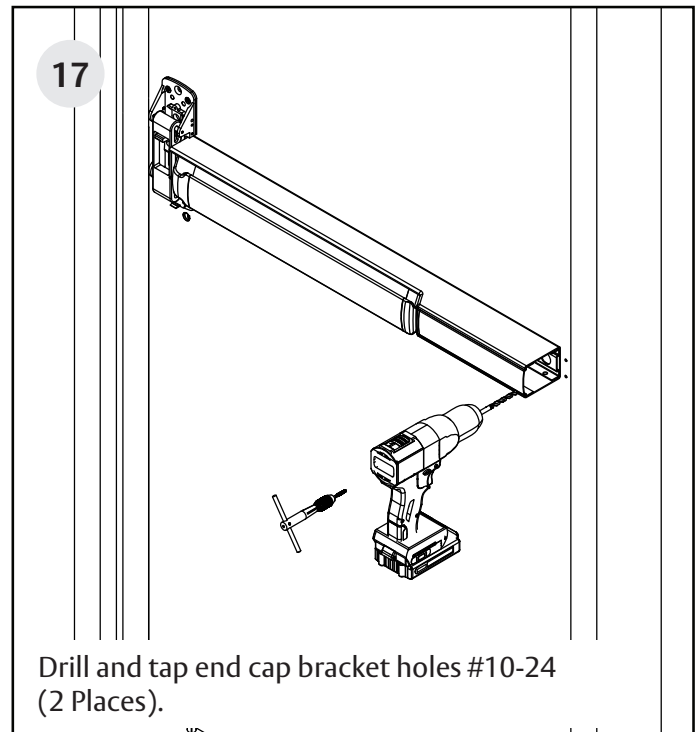


ASSA ABLOY



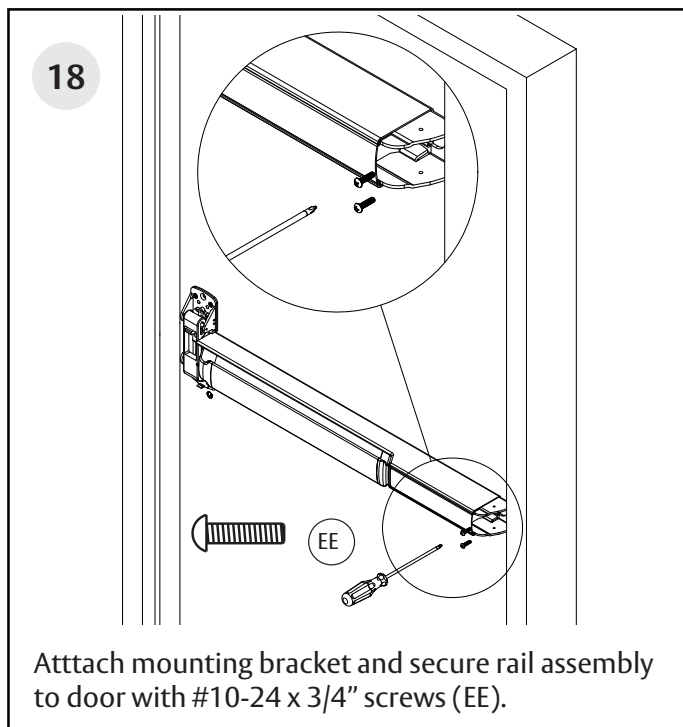
16

Level the rail and mark mounting holes, using the bracket as a guide.



17

Drill and tap end cap bracket holes #10-24 (2 Places).



18

Attach mounting bracket and secure rail assembly to door with #10-24 x 3/4" screws (EE).

PED5800 Series (A MD, MD, AD)

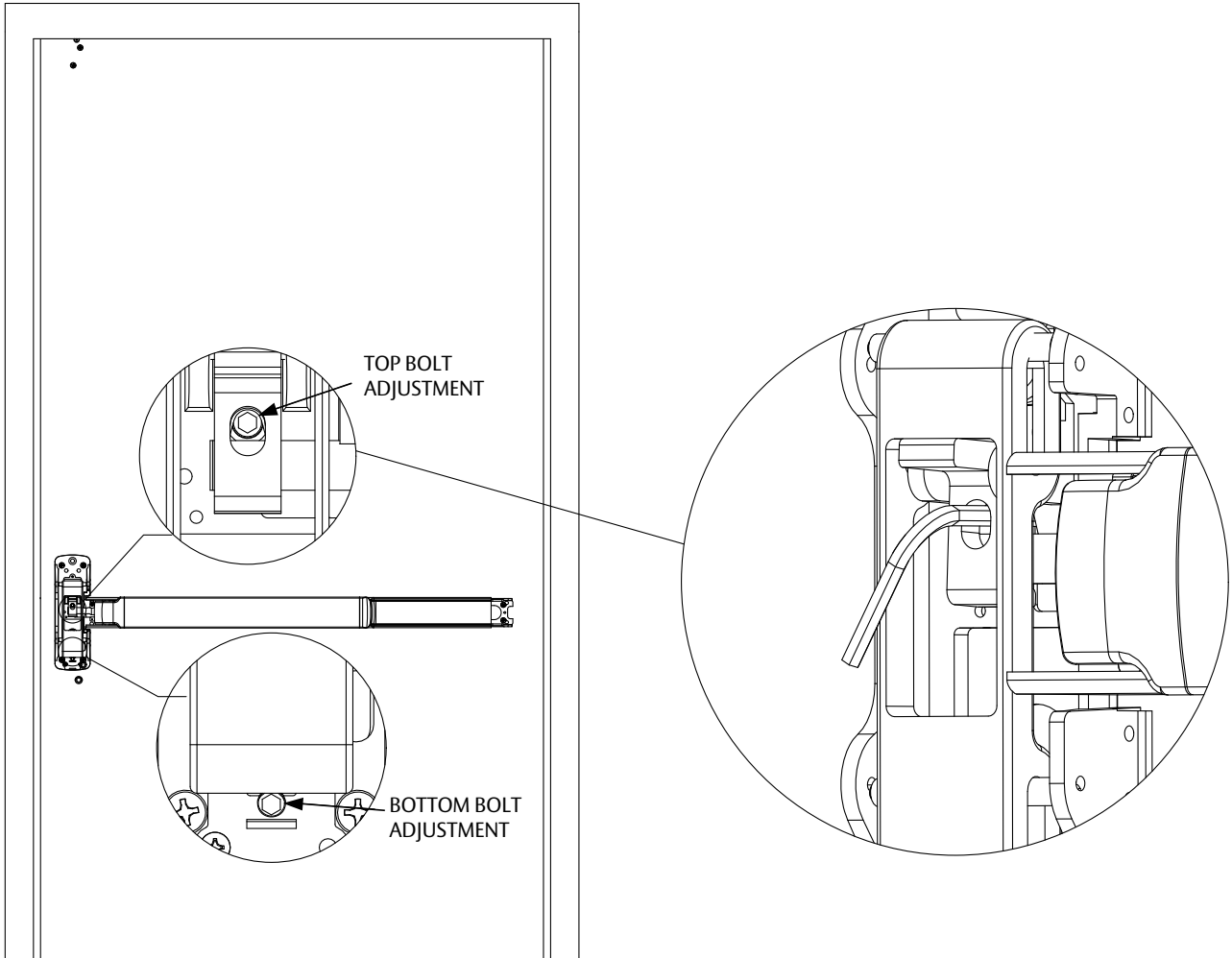
Concealed Vertical Rod Exit Devices

Installation Instructions



ASSA ABLOY

19



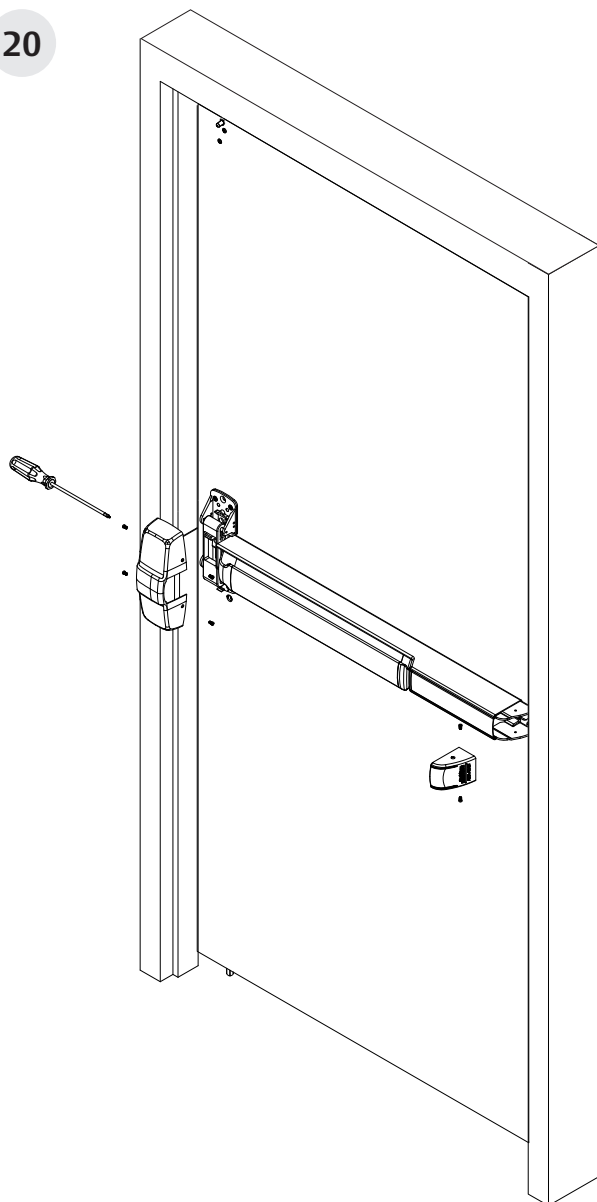
If adjustments are needed, before closing the door check the following:

- Push rail in to retract bolts.
- Bolts stay retracted (hold back).
- Bolts release when the door closes. The button inside the top of the door hits the frame.
- The bolt engages with the strike $1/4'' - 5/16''$.

For final adjustment close door to adjust.

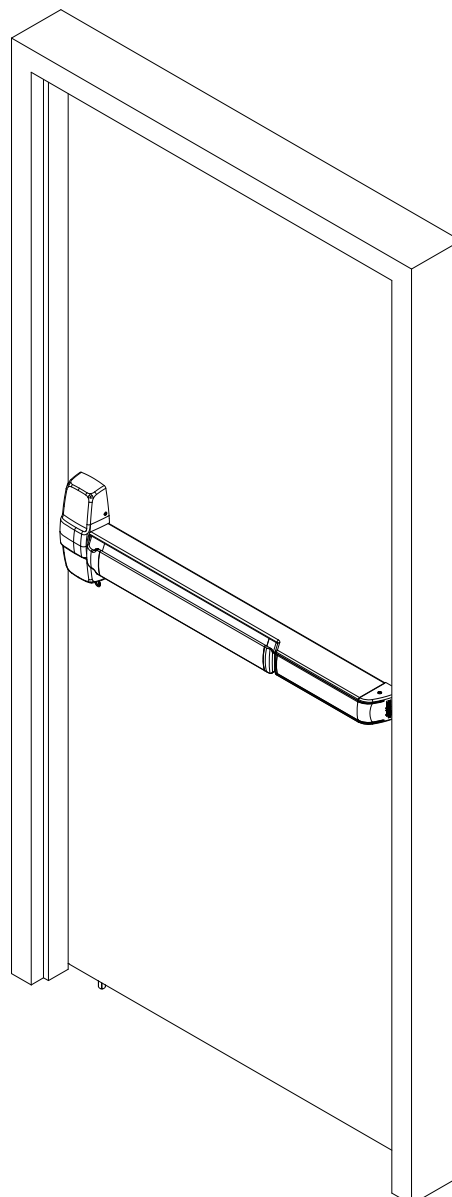
- Use $5/32''$ Allen wrench to adjust projection. Turn clockwise to adjust the bolt back into the door.
Turn counter clockwise to extend the bolt.

20



Install chassis and end cap cover, using supplied #8-32 oval head screws.

21



Check for proper operation.