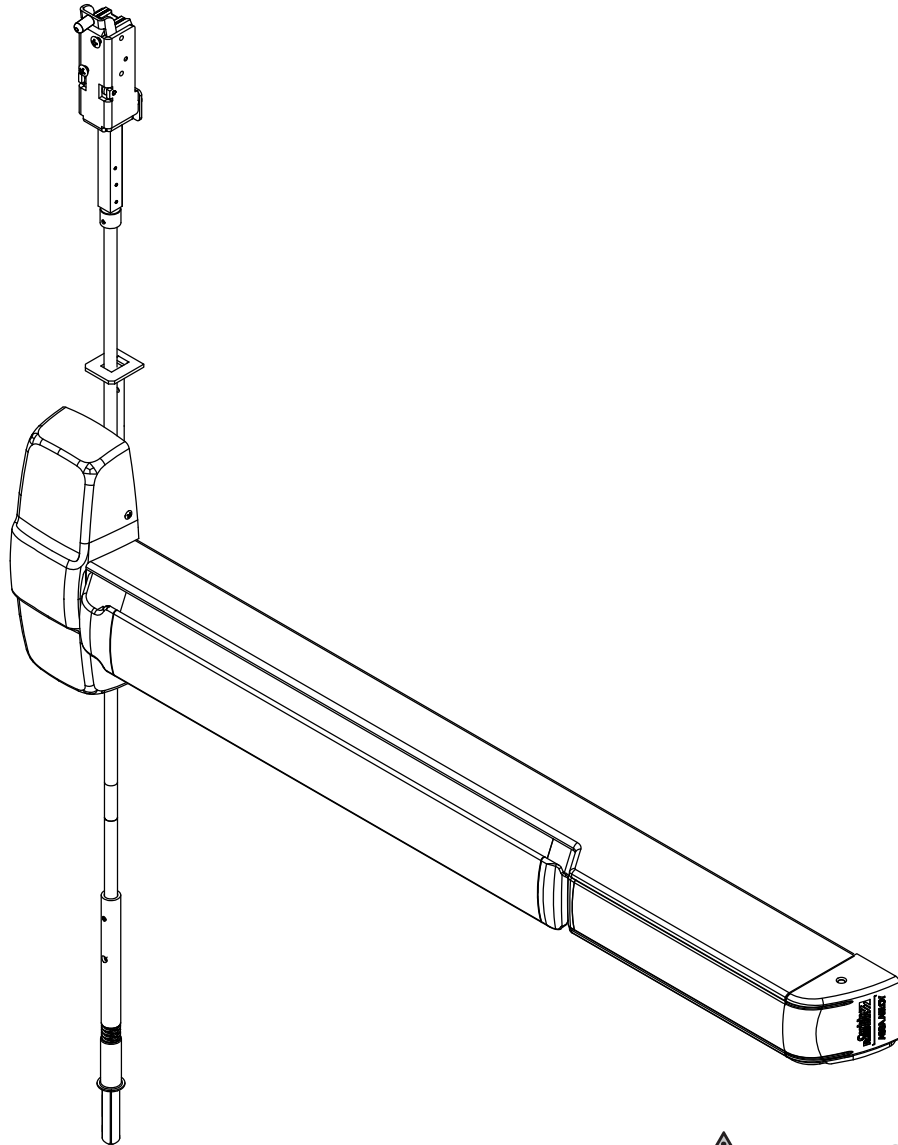


# Installation Instructions

## PED5800 Series (A WD, WD, A WD M55, & WD M55)

### Concealed Vertical Rod Exit Devices



#### **! WARNING**

This product can expose you to lead which is known to the state of California to cause cancer and birth defects or other reproductive harm. For more information go to [www.P65warnings.ca.gov](http://www.P65warnings.ca.gov).

1-800-543-3658 • [techsupport.corbinrusswin@assaabloy.com](mailto:techsupport.corbinrusswin@assaabloy.com)

Copyright © 2023 ASSA ABLOY Access and Egress Hardware Group, Inc. All rights reserved. Reproduction in whole or in part without the express written permission of ASSA ABLOY Access and Egress Hardware Group, Inc. is prohibited. Patent pending and/or patent [www.assaabloydss.com/patents](http://www.assaabloydss.com/patents).

#### **! WARNING**

Attention Installer: Improper installation may result in damage to the product and void the factory warranty.

FM608 01/23

Experience a safer  
and more open world





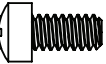



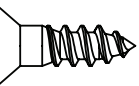

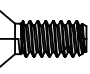
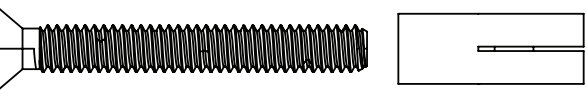
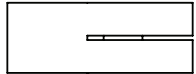
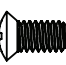


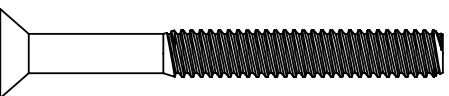

# PED5800 Series (A WD, WD, A WD M55, & WD M55)



## Concealed Vertical Rod Exit Devices

### Installation Instructions

#### Screw Chart

DESCRIPTION	TOTAL QTY SUPPLIED	WHERE USED
  <p>#10 X 1-1/4" FLAT HEAD WOOD SCREW</p>	10	(4) CHASSIS CORNER MOUNTING HOLES (2) INNER CHASSIS PLATE (2) 650 STRIKE, TOP (WOOD FRAME) (2) 650 STRIKE, BOTTOM (WOOD FRAME)
  <p>#10 X 1-1/4" ROUND HEAD WOOD SCREW</p>	2	(2) REAR MOUNTING PLATE (WOOD DOOR)
  <p>#10-24 X 3/8" FILLISTER HEAD MACHINE SCREW</p>	1	(1) INNER CHASSIS
  <p>#12 X 2" FLAT HEAD WOOD SCREW</p>	4	(4) TOP CASE BRACKET
  <p>1/4" X 1/2" FLAT HEAD WOOD SCREW</p>	2	(2) BOTTOM BRACKET
 <p>#10-24 X 1/2" U' CUT FLAT HEAD MACHINE SCREW</p>	4	(2) 650 STRIKE, TOP (METAL FRAME) (2) 650 STRIKE, BOTTOM (METAL FRAME)
  <p>1/4"-20 X 2" FLAT HEAD MACHINE SCREW W/ANCHOR</p>	2	(2) 606 BOTTOM STRIKE (FIRE RATED)
 <p>#8-32 X 5/16" W/ #6 OVAL HEAD MACHINE SCREW</p>	4	(2) CHASSIS COVER FRAME SIDE (2) END CAP
  <p>#8-32 X 5/8" W/ #6 OVAL HEAD MACHINE SCREW</p>	2	(2) CHASSIS COVER RAIL SIDE
  <p>1/4"-20 X 2-3/8" KNURLED FLAT HEAD MACHINE SCREW</p>	2	(2) EXIT TRIM (IF USED)

# PED5800 Series (A WD, WD, A WD M55, & WD M55)

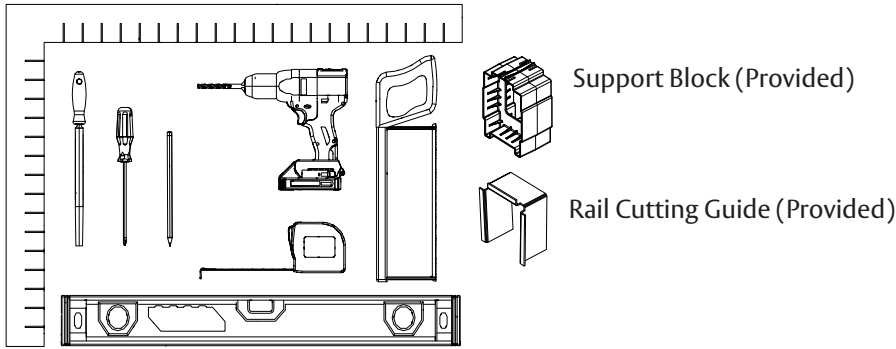


## Concealed Vertical Rod Exit Devices

### Installation Instructions

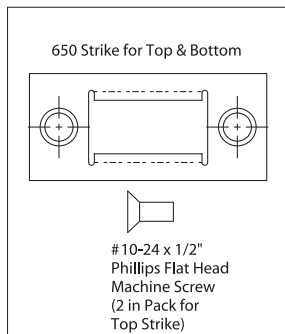
### Equipment Needed

#### Tools

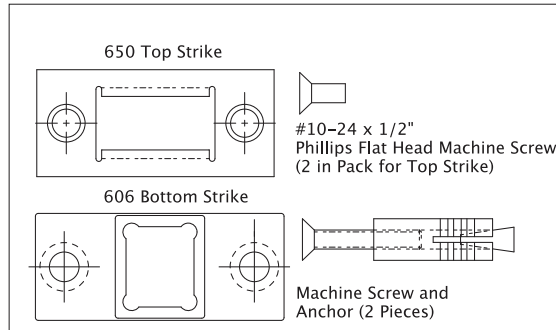


#### Strike Packs

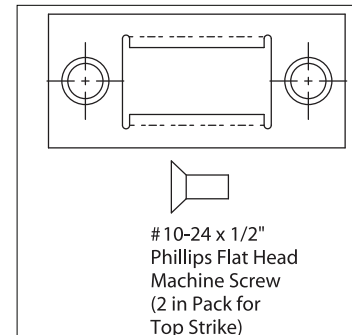
Strike Pack for PED5800 WD



Strike Pack for PED5800 A WD



650 Top Strike Pack PED5800 WD M55 & PED5800 A WD M55



\*Note: The PED5800 WD M55 and the PED5800 A WD M55 do not have a bottom strike.



#### Before installation:

1. Fit and hang door.
2. Check the box's label for the size of the exit device.



The surface of the door where the exit device is to be applied must be flush. Clear away any raised projections to allow exit device to rest on the flat surface of the door. If shim kit is required, contact your distributor.

Note: Please refer to trim and other installation instructions provided in the box.

# PED5800 Series (A WD, WD, A WD M55, & WD M55)

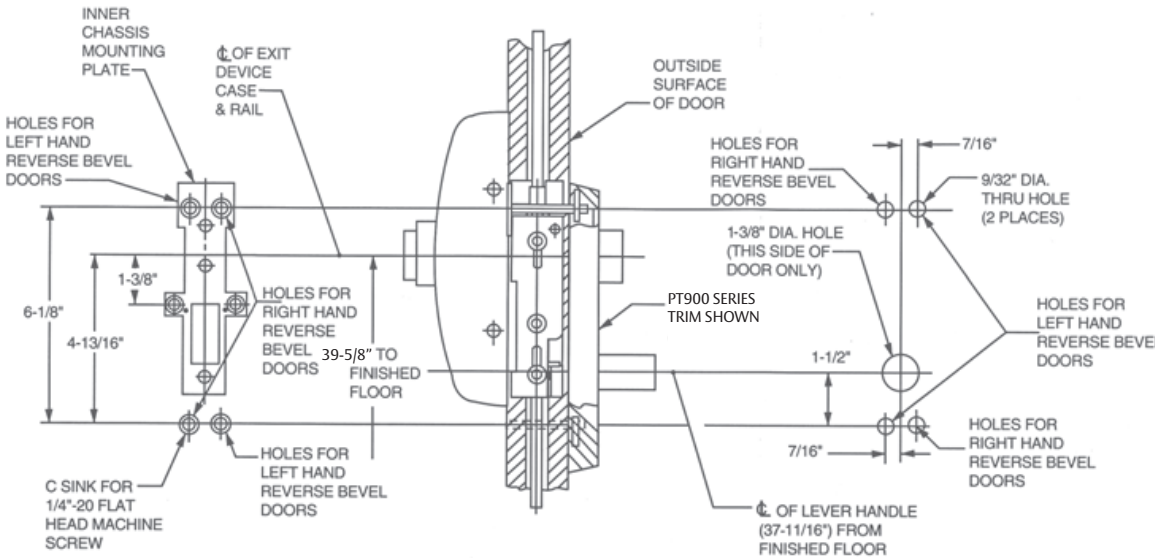


ASSA ABLOY

## Concealed Vertical Rod Exit Devices

### Installation Instructions

### Template for PED5800 WD, PED5800 A WD, PED5800 WD M55 and PED5800 A WD M55 with PT800 and PT900 Series Trim



The PT800 and PT900 series trim needs to be attached through the door with (2) 1/4-20 x 2-3/8" flat head machine screws (GG).



# PED5800 Series (A WD, WD, A WD M55, & WD M55)

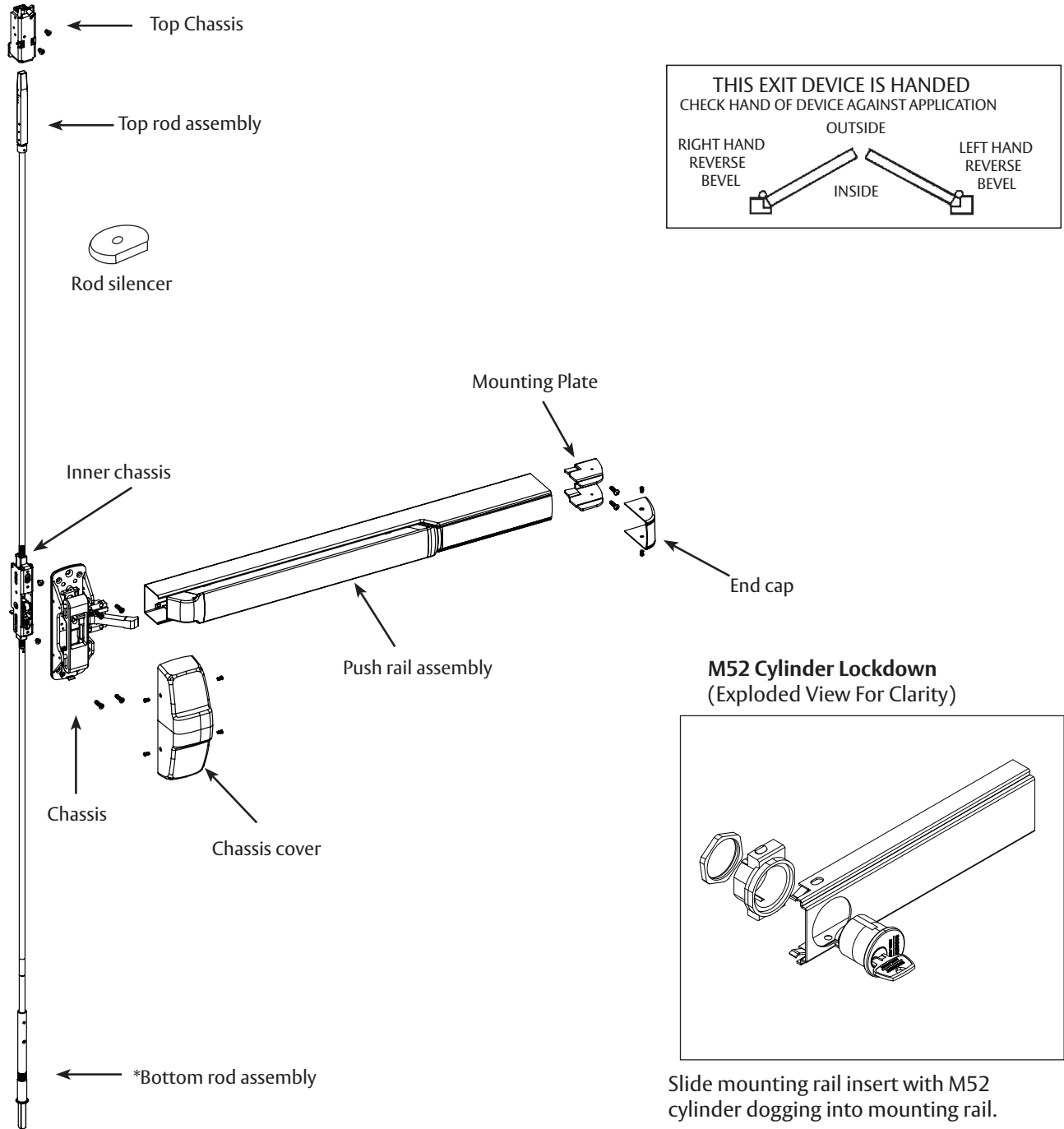


ASSA ABLOY

## Concealed Vertical Rod Exit Devices

### Installation Instructions

#### Exploded View



\*Note: The PED5800 WD M55 & the PED5800 A WD M55 do not have a bottom rod assembly.

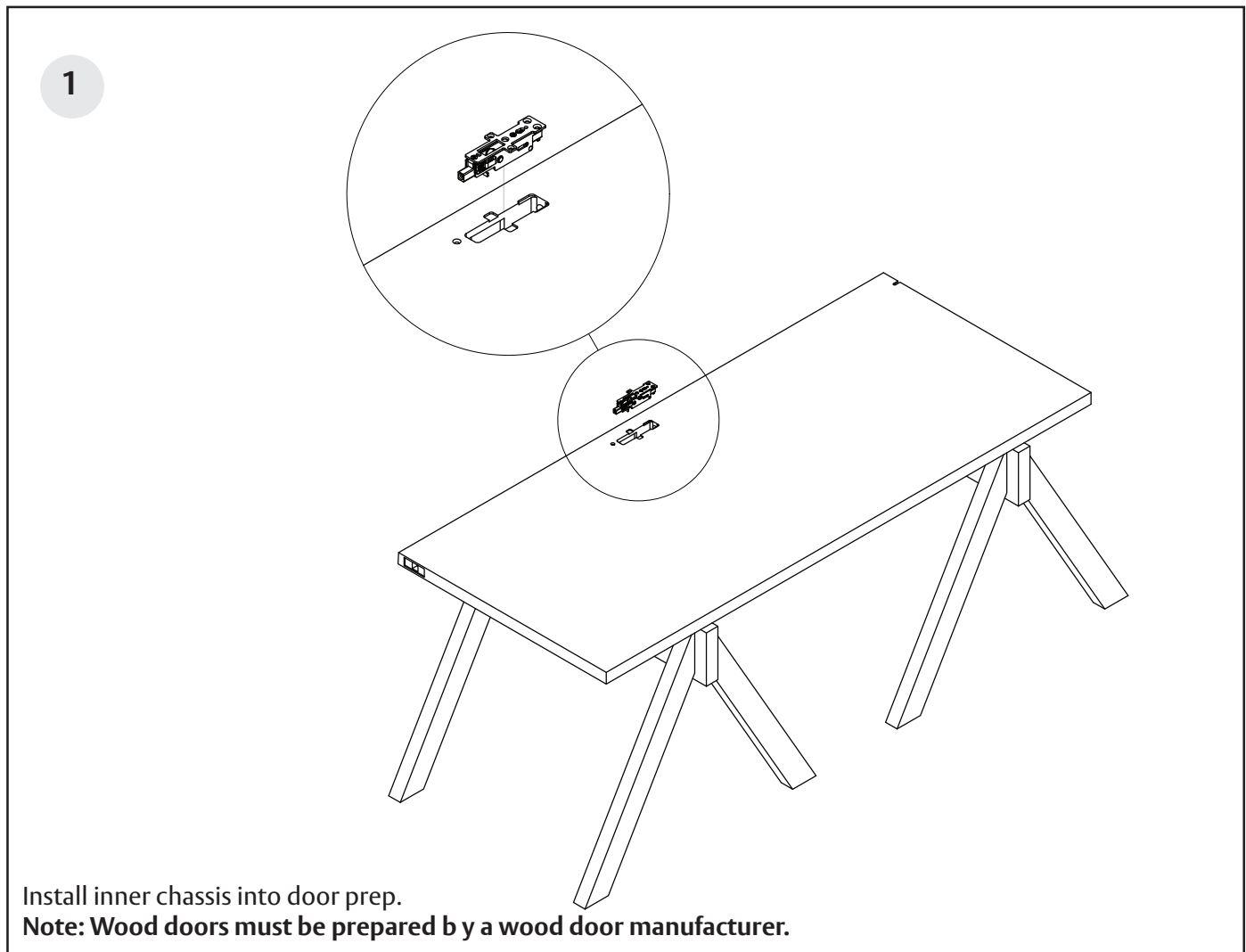
# PED5800 Series (A WD, WD, A WD M55, & WD M55)



ASSA ABLOY

## Concealed Vertical Rod Exit Devices

### Installation Instructions



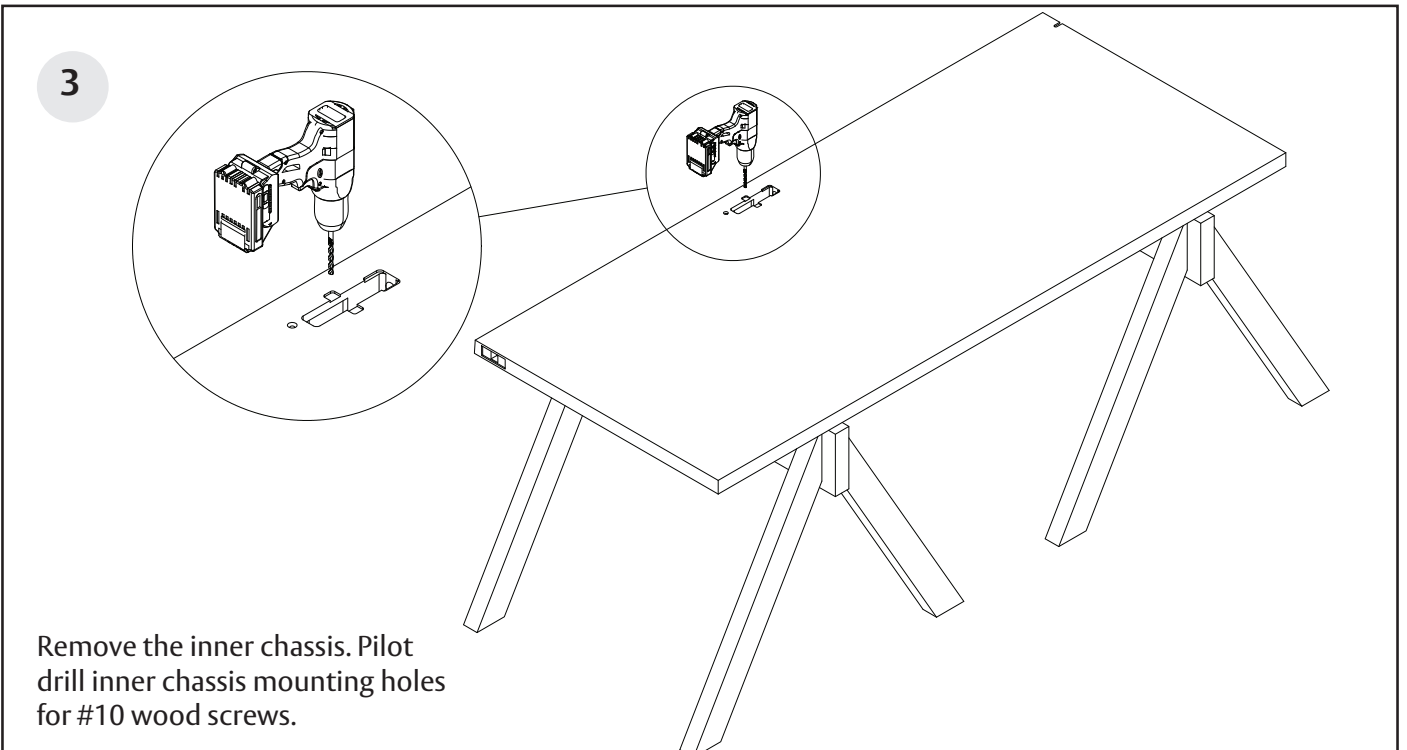
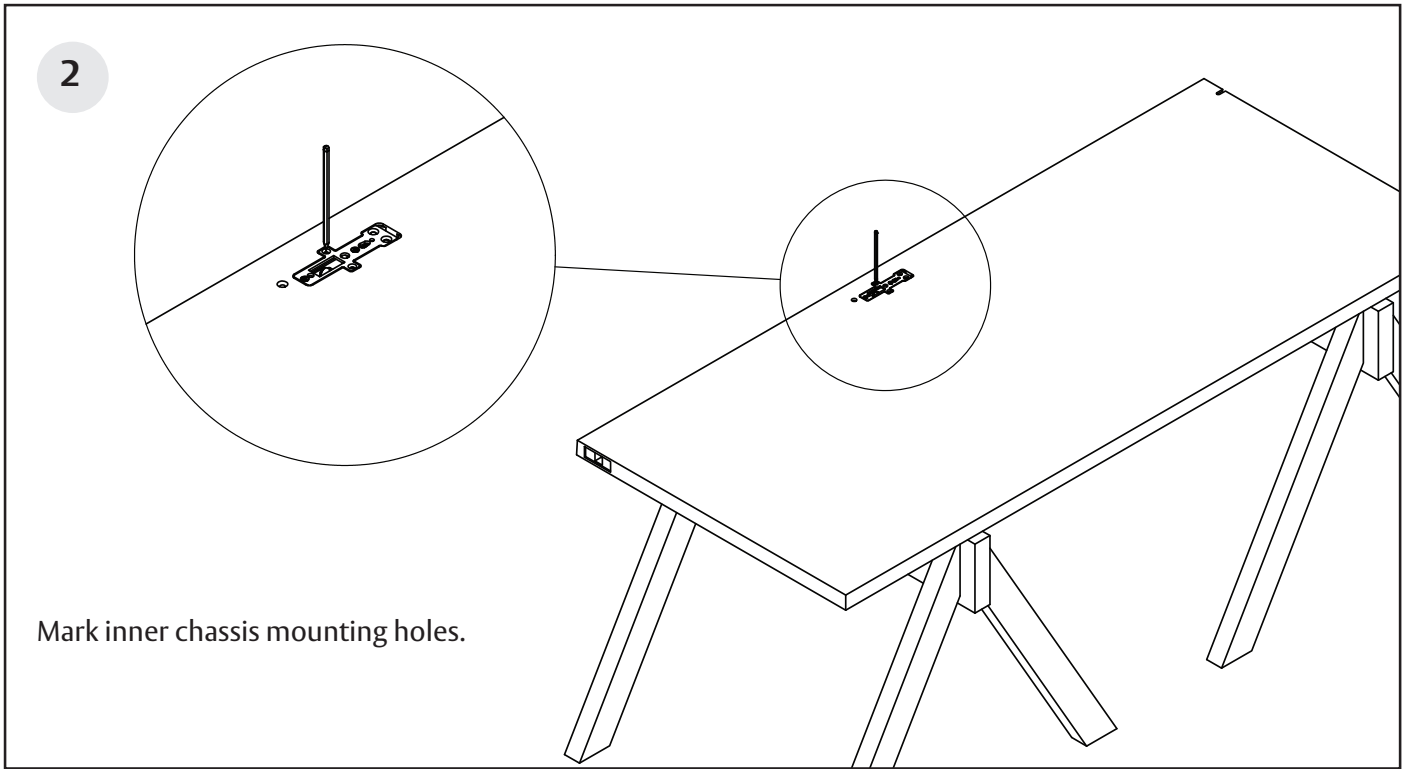
# PED5800 Series (A WD, WD, A WD M55, & WD M55)



ASSA ABLOY

## Concealed Vertical Rod Exit Devices

### Installation Instructions



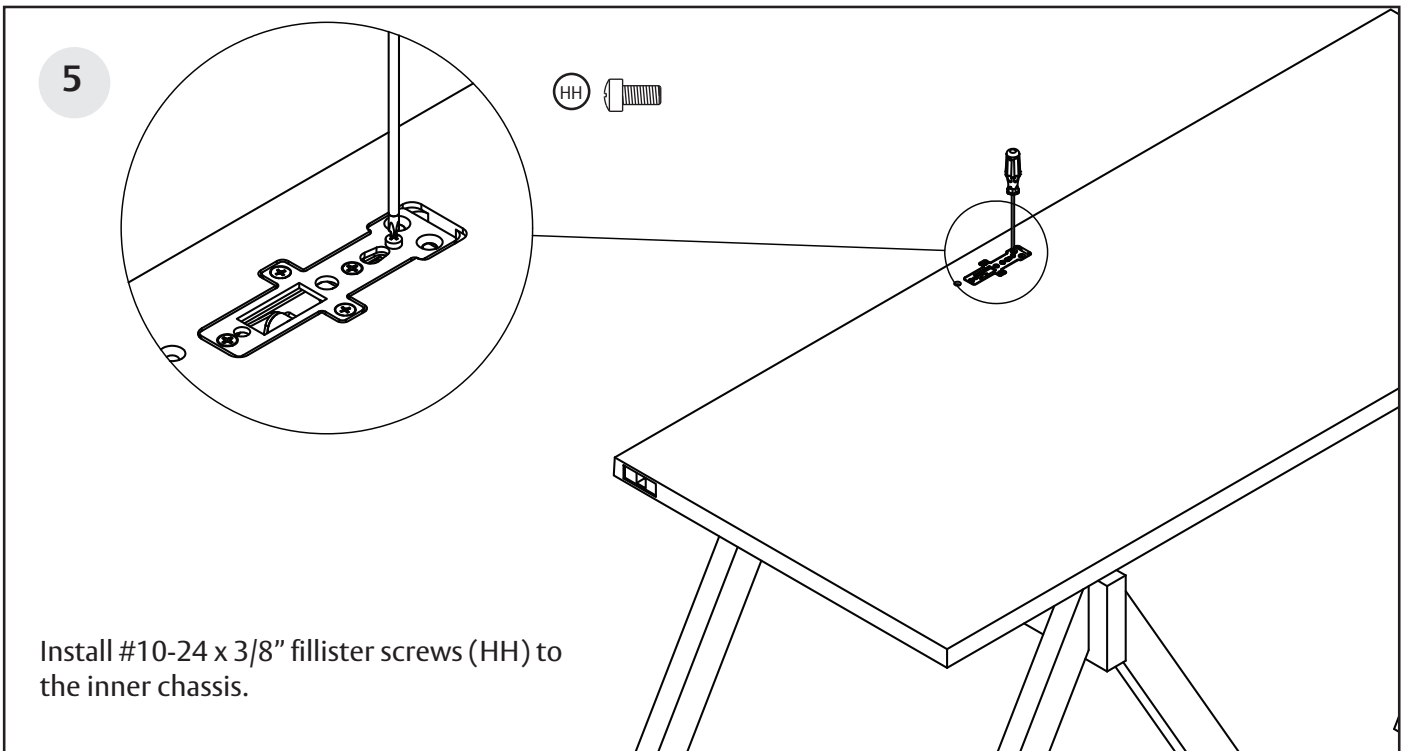
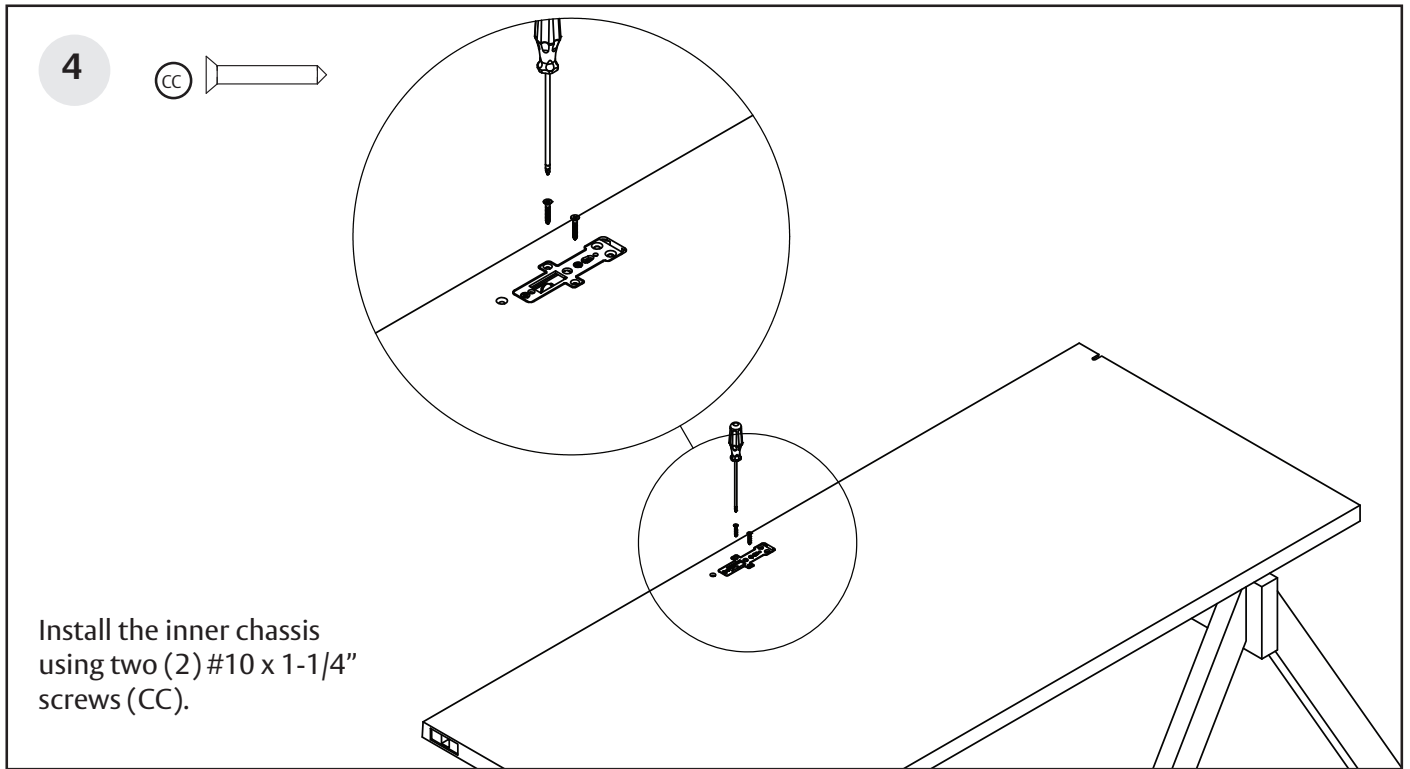
# PED5800 Series (A WD, WD, A WD M55, & WD M55)



ASSA ABLOY

## Concealed Vertical Rod Exit Devices

### Installation Instructions





# PED5800 Series (A WD, WD, A WD M55, & WD M55)



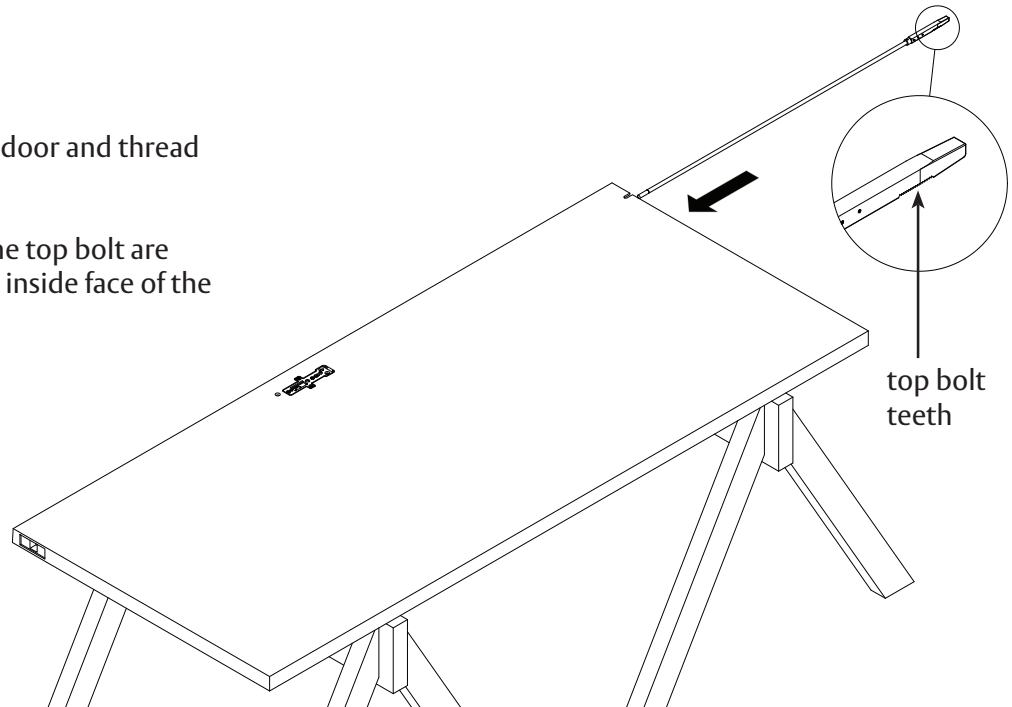
ASSA ABLOY

## Concealed Vertical Rod Exit Devices

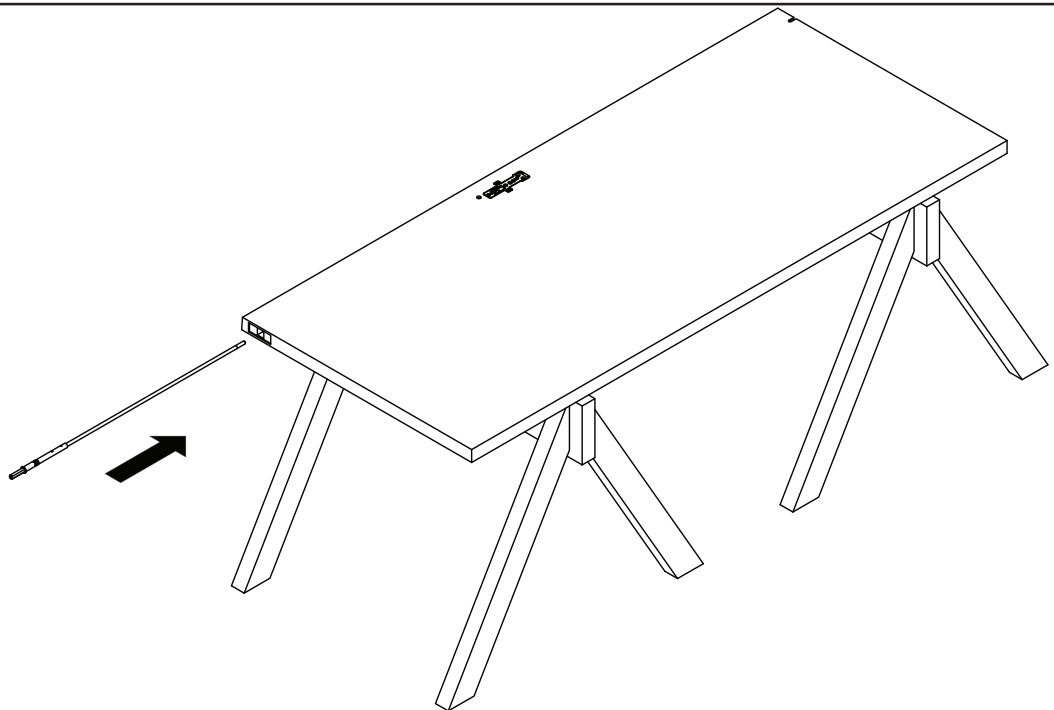
### Installation Instructions

6

- Slide top rod into the door and thread into the inner chassis.
- Ensure the teeth on the top bolt are facing opposite of the inside face of the door.



7



Slide bottom rod into the door and thread into the inner chassis.

# PED5800 Series (A WD, WD, A WD M55, & WD M55)

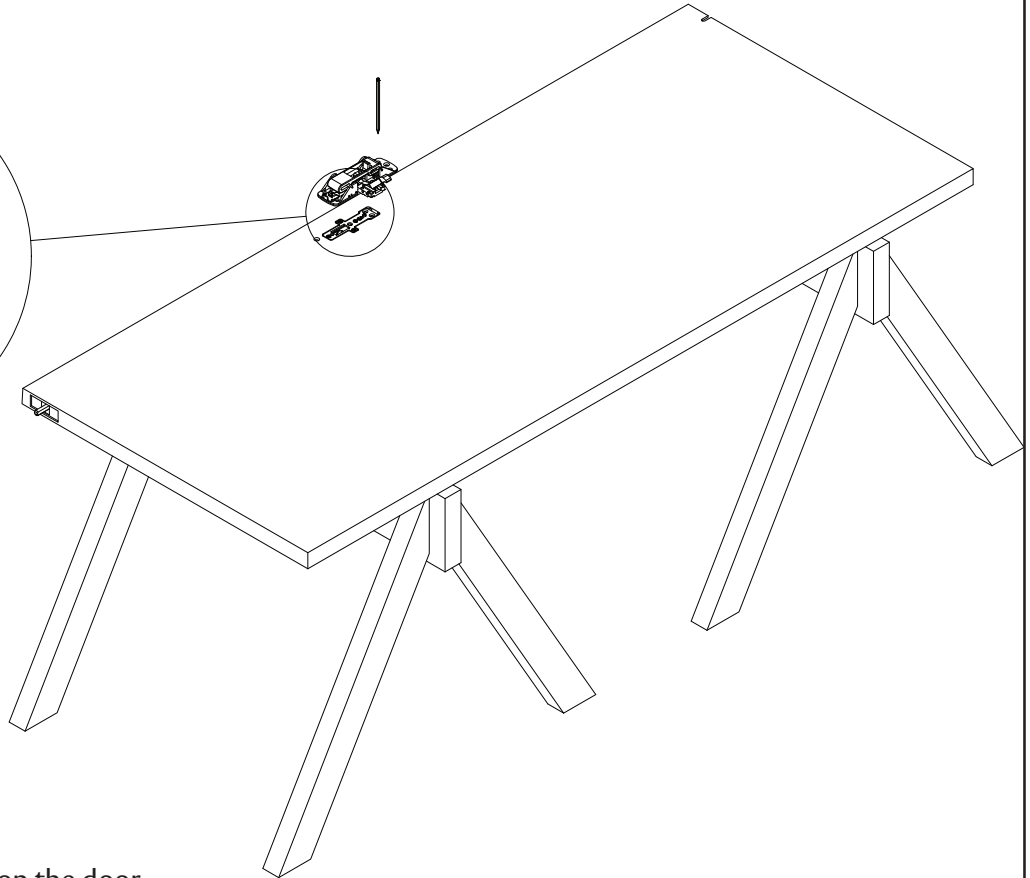
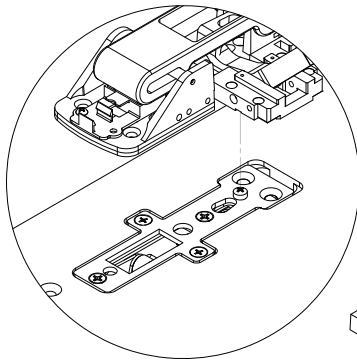


ASSA ABLOY

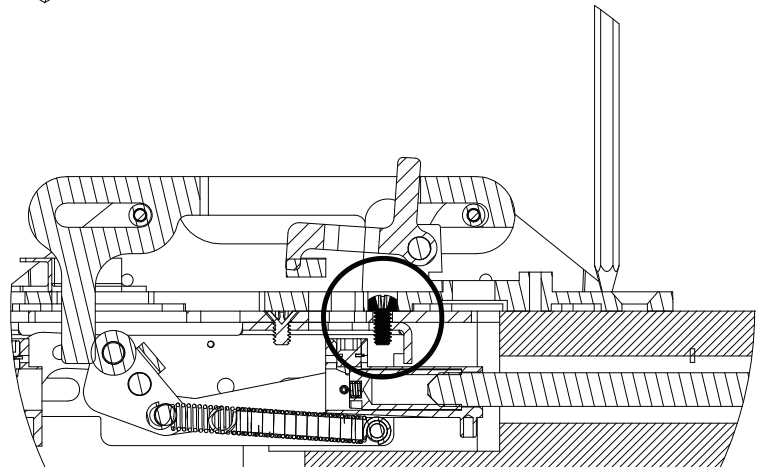
## Concealed Vertical Rod Exit Devices

### Installation Instructions

8



- Locate the center chassis on the door by keying it to the fillister head screw projecting off the door face.
- Mark the four corner mounting holes.



# PED5800 Series (A WD, WD, A WD M55, & WD M55)



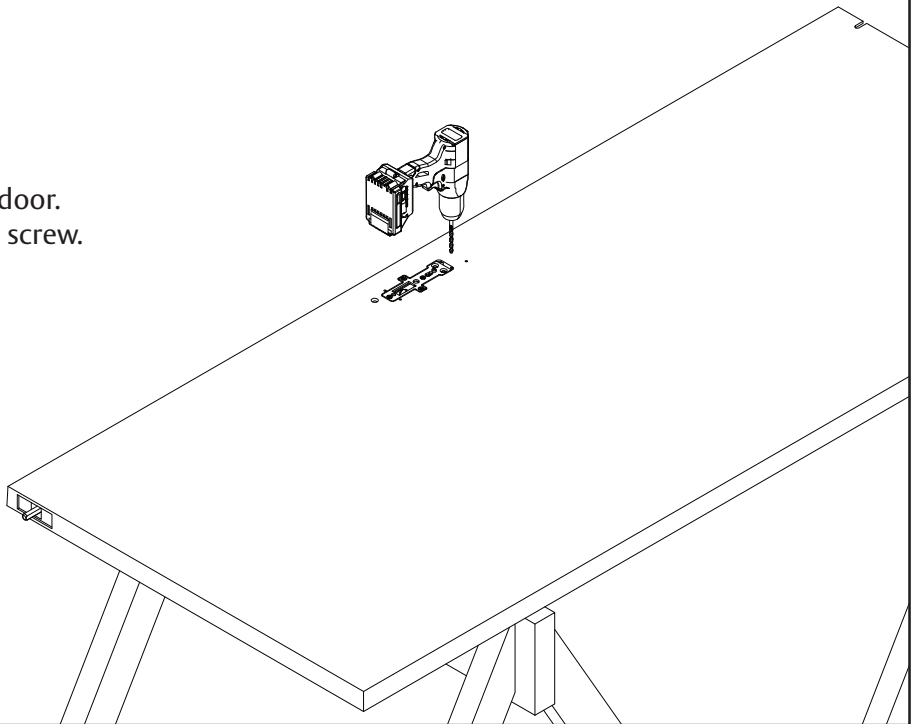
ASSA ABLOY

## Concealed Vertical Rod Exit Devices

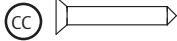
### Installation Instructions

9

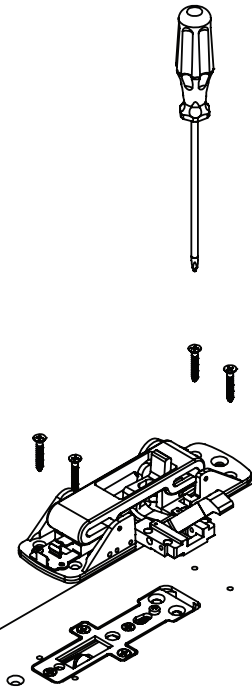
Remove the center chassis from the door.  
Pilot mounting holes for a #10 wood screw.



10



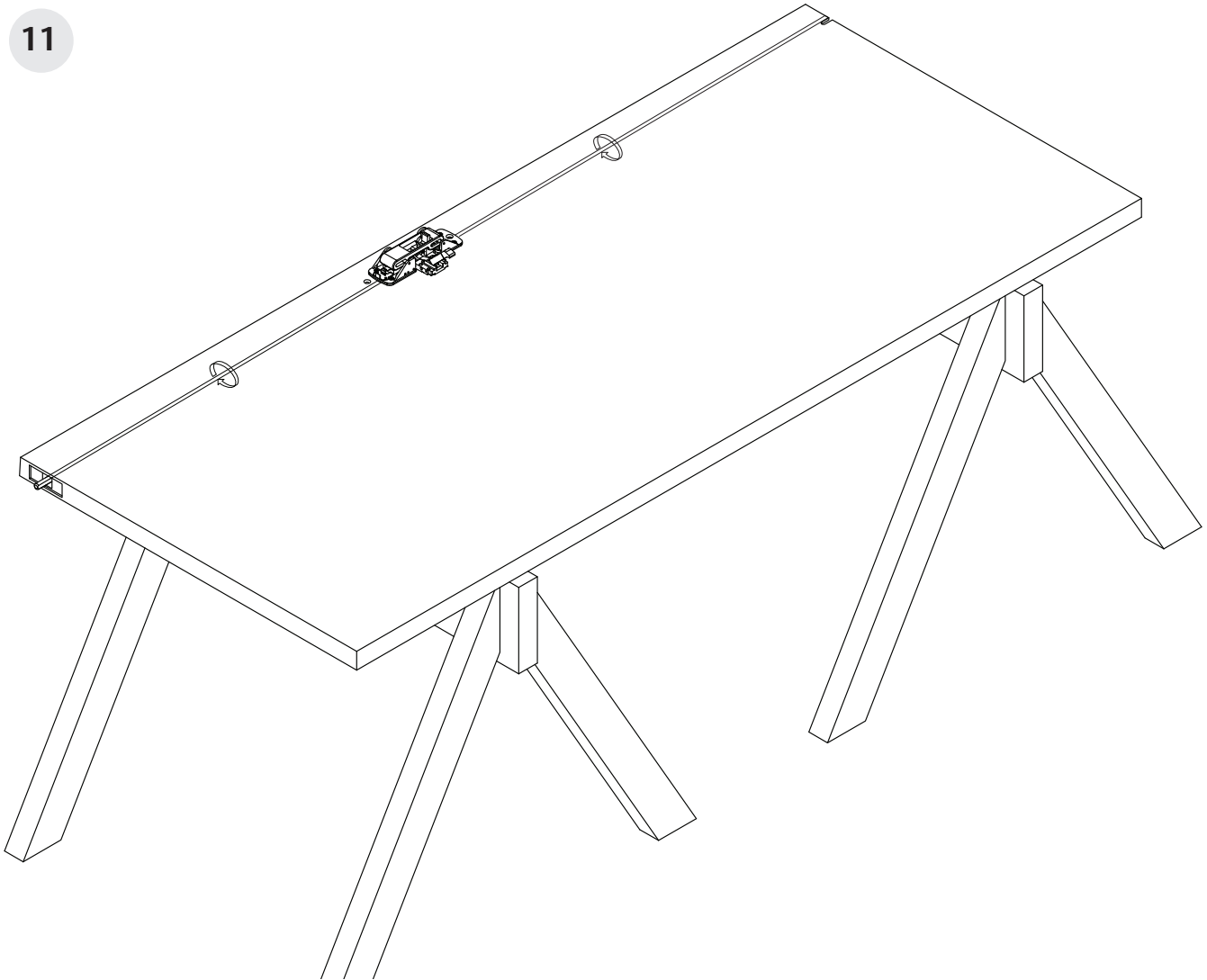
Install the center chassis using  
four (4) #10 x 1-1/4" screws  
(CC). **Do not fully tighten.**



## Concealed Vertical Rod Exit Devices

### Installation Instructions

11



#### Adjusting the top bolt and rod assembly

- 1/8" gap or less between door top and frame: Rotate bolt to make it even with the top of the door.
- 1/8" gap or greater: Bolt must extend above the door, equal to the gap, minus 1/8".

#### Adjusting the bottom bolt and rod assembly (Not needed for M55 exit devices)

- 1/8" gap or less between door bottom and high point: Rotate bolt to make it even with the top of the door.
- 1/8" gap or greater: Bolt must extend below the door, equal to the gap, minus 1/8".

**Note:** Rod must be retracted while adjusting bolt projection. Depress chassis lift arm to retract top bolt and rod assembly.

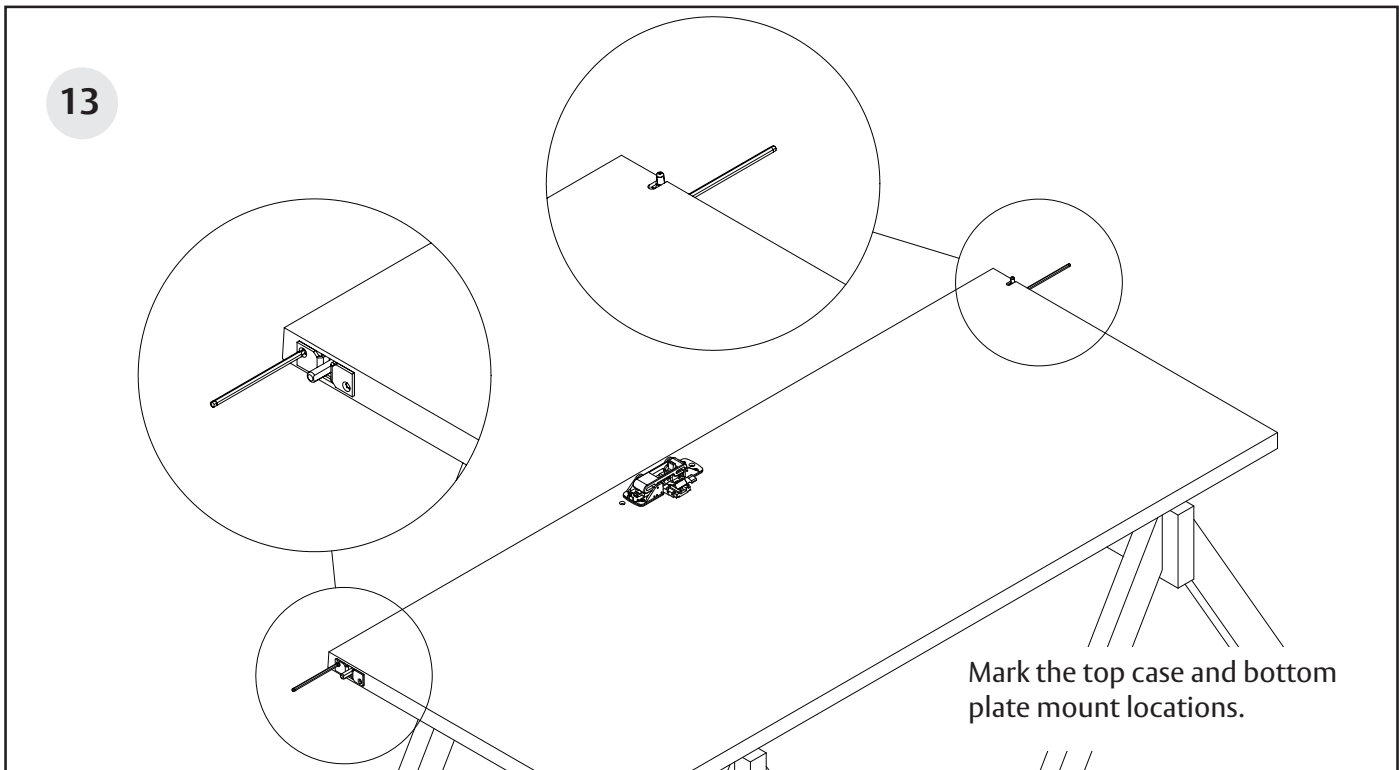
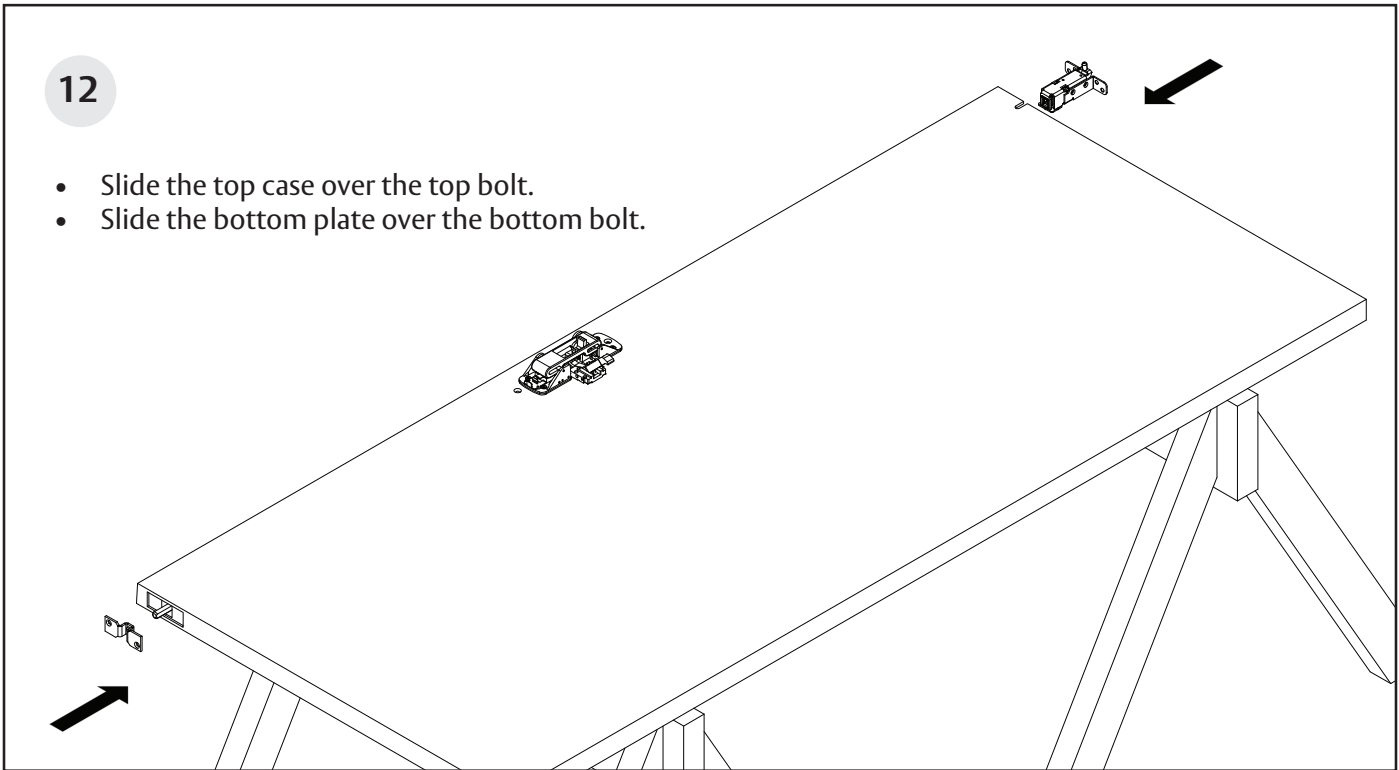
# PED5800 Series (A WD, WD, A WD M55, & WD M55)



ASSA ABLOY

## Concealed Vertical Rod Exit Devices

### Installation Instructions



# PED5800 Series (A WD, WD, A WD M55, & WD M55)



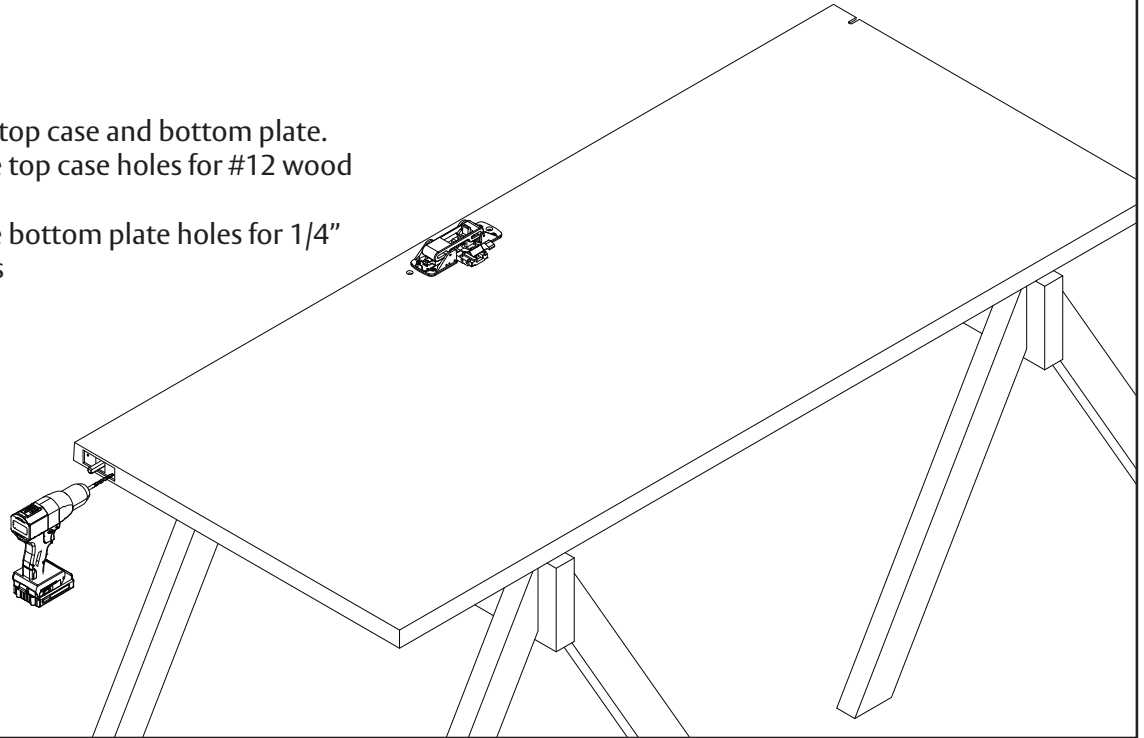
ASSA ABLOY

## Concealed Vertical Rod Exit Devices

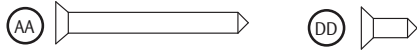
### Installation Instructions

14

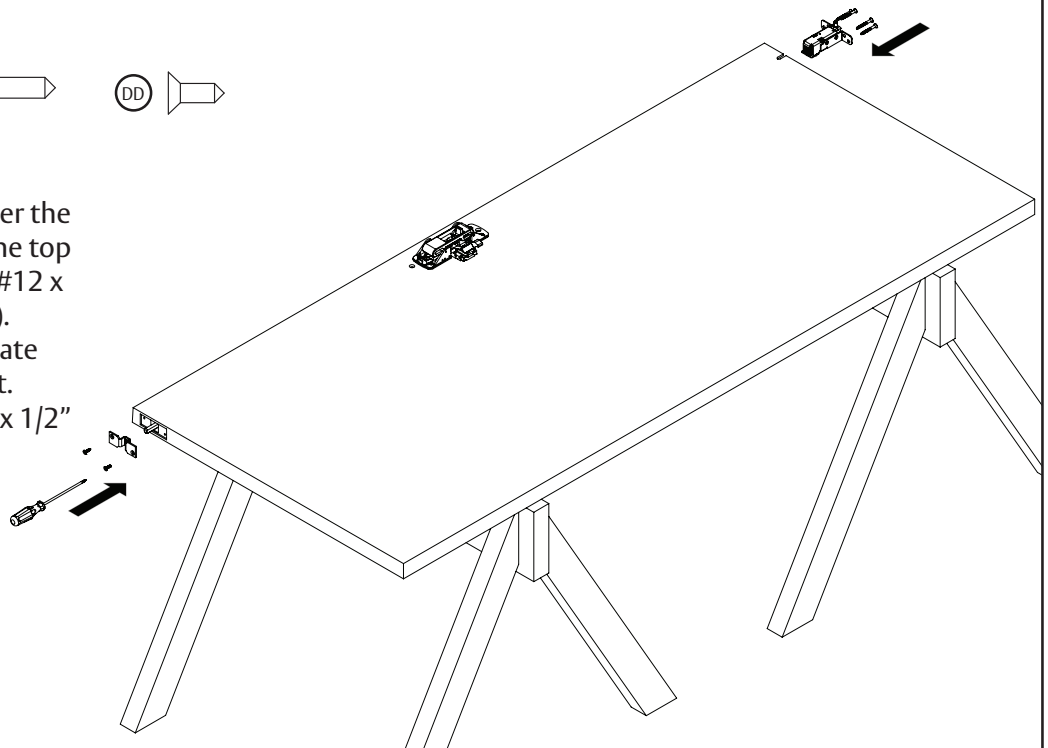
- Remove the top case and bottom plate.
- Pilot drill the top case holes for #12 wood screws.
- Pilot drill the bottom plate holes for 1/4" wood screws



15



- Slide the top case over the top bolt. Secure to the top of the door with (4) #12 x 2" wood screws (AA).
- Install the bottom plate over the bottom bolt. Secure with (2) 1/4" x 1/2" wood screws (DD).



FM608 01/23

1-800-543-3658 • [techsupport.corbinruswin@assaabloy.com](mailto:techsupport.corbinruswin@assaabloy.com)

Copyright © 2023 ASSA ABLOY Access and Egress Hardware Group, Inc. All rights reserved. Reproduction in whole or in part without the express written permission of ASSA ABLOY Access and Egress Hardware Group, Inc. is prohibited. Patent pending and/or patent [www.assaabloyds.com/patents](http://www.assaabloyds.com/patents).

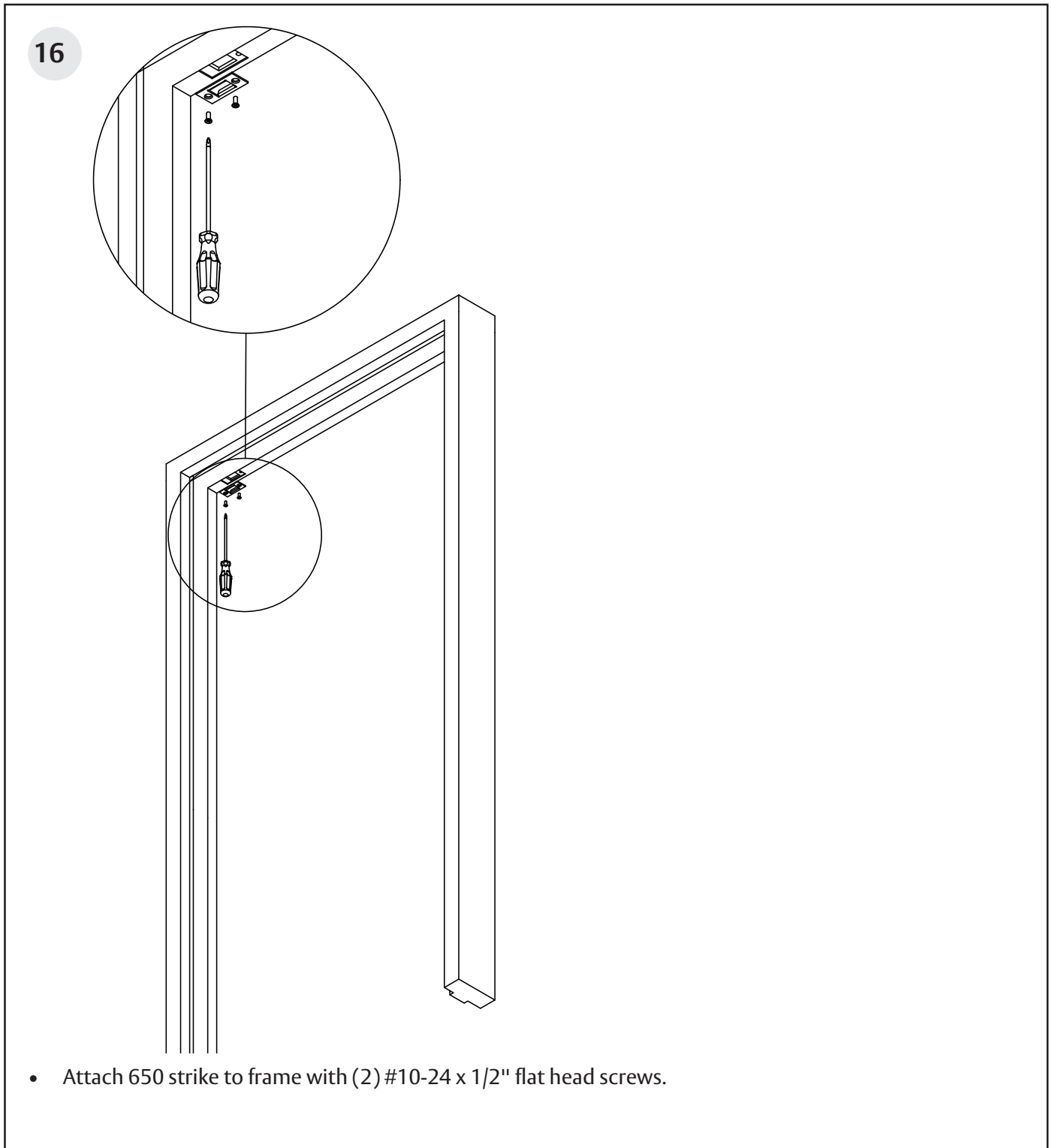
# PED5800 Series (A WD, WD, A WD M55, & WD M55)



ASSA ABLOY

## Concealed Vertical Rod Exit Devices

### Installation Instructions



1-800-543-3658 • [techsupport.corbinrusswin@assaabloy.com](mailto:techsupport.corbinrusswin@assaabloy.com)

Copyright © 2023 ASSA ABLOY Access and Egress Hardware Group, Inc. All rights reserved. Reproduction in whole or in part without the express written permission of ASSA ABLOY Access and Egress Hardware Group, Inc. is prohibited. Patent pending and/or patent [www.assaabloyds.com/patents](http://www.assaabloyds.com/patents).

FM608 01/23

# PED5800 Series (A WD, WD, A WD M55, & WD M55)



ASSA ABLOY

## Concealed Vertical Rod Exit Devices

### Installation Instructions

17

- For PED5800 WD: Attach 650 bottom strike to floor with anchors and supplied fasteners.
- For PED5800 A WD: Attach 606 bottom strike to floor with anchors and supplied fasteners.

18

Reinstall the door into the frame.

FM608 01/23

1-800-543-3658 • [techsupport.corbinruswin@assaabloy.com](mailto:techsupport.corbinruswin@assaabloy.com)

Copyright © 2023 ASSA ABLOY Access and Egress Hardware Group, Inc. All rights reserved. Reproduction in whole or in part without the express written permission of ASSA ABLOY Access and Egress Hardware Group, Inc. is prohibited. Patent pending and/or patent [www.assaabloyds.com/patents](http://www.assaabloyds.com/patents).



# PED5800 Series (A WD, WD, A WD M55, & WD M55)



ASSA ABLOY

## Concealed Vertical Rod Exit Devices

### Installation Instructions

#### Rail cutting guide

If the rail doesn't need to be cut, continue to page 18, step 19.  
If the rail must be cut, follow these steps on page 16 and 17.

Refer to the individual exit device installation instructions for rail cutting requirements / restrictions. Instructions will vary based on device type and options.

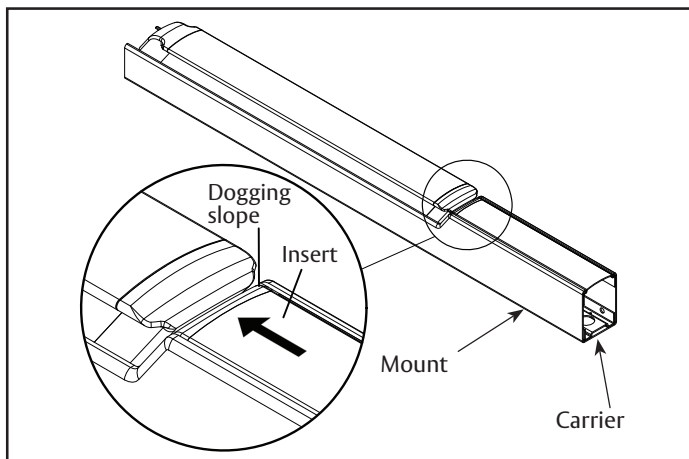
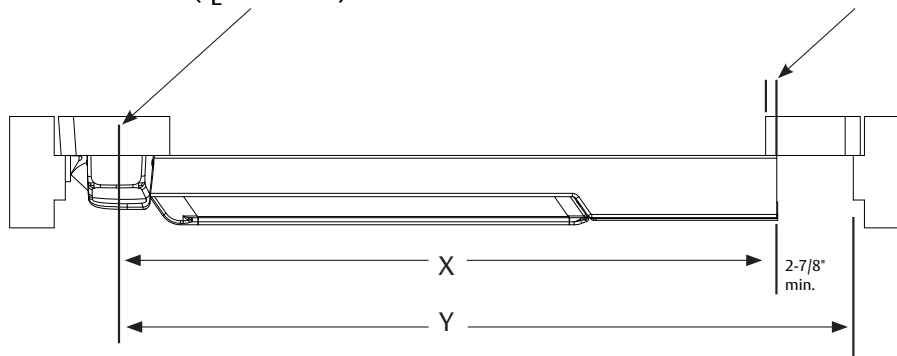
- Determine cut off dimension "X" by subtracting 2-7/8" from dimension "Y". Mark cut off point on mounting rail. (See below.)

Information for Cutting Rails		
Rail Sizes	Door Widths	
	Standard	Minimum
W032	32"	24"
W036 (Std.)	36"	33"
W042	42"	37"
W048	48"	43"

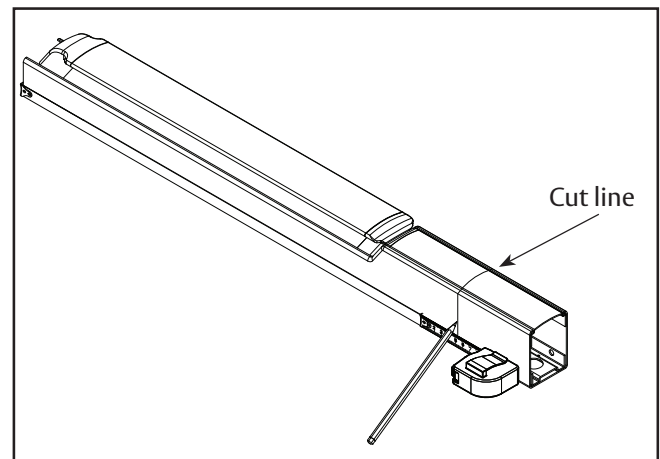
Do not cut closer than 1-5/8" from the the front edge of the rail insert.

Vertical reference line (C of chassis)

For doors with stile rail, the stile must overlap by 5/16" min.



A. Ensure there isn't a gap between the insert and the dogging slope, and the carrier is flush with the mount.



B. Mark rail at the required cut length.

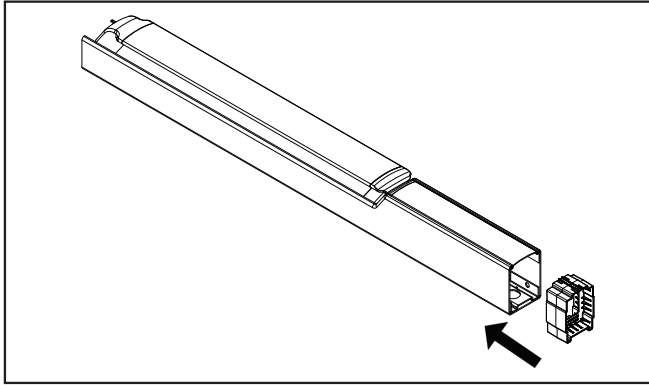
# PED5800 Series (A WD, WD, A WD M55, & WD M55)



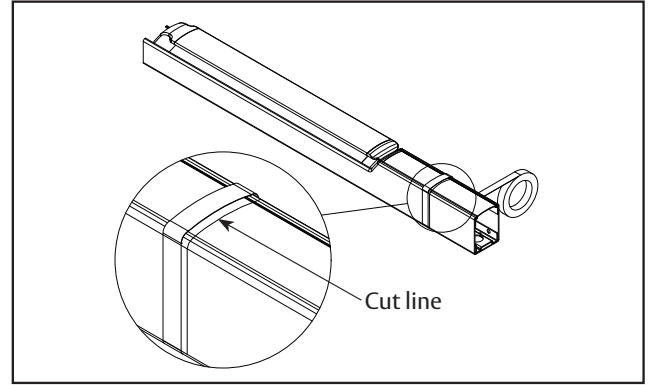
## Concealed Vertical Rod Exit Devices

### Installation Instructions

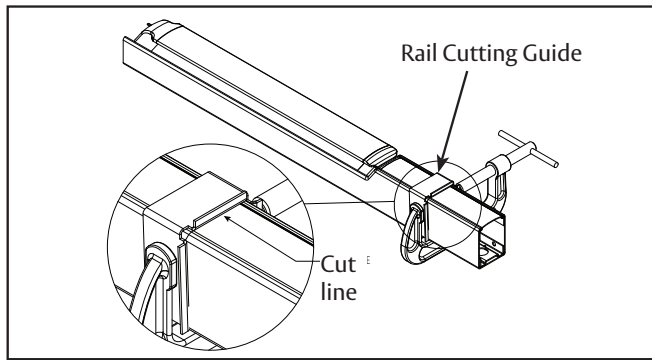
#### Rail cutting guide, continued.



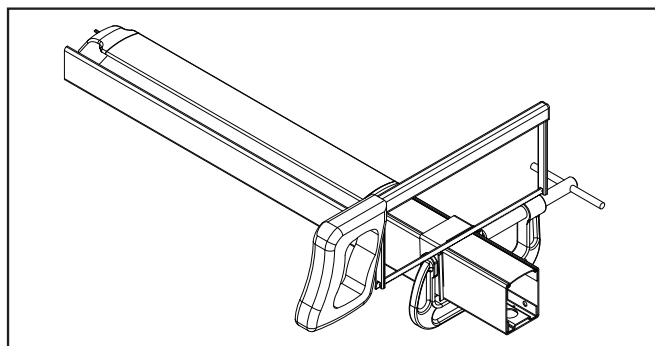
C. Ensure plastic insert support is installed under the cut line.



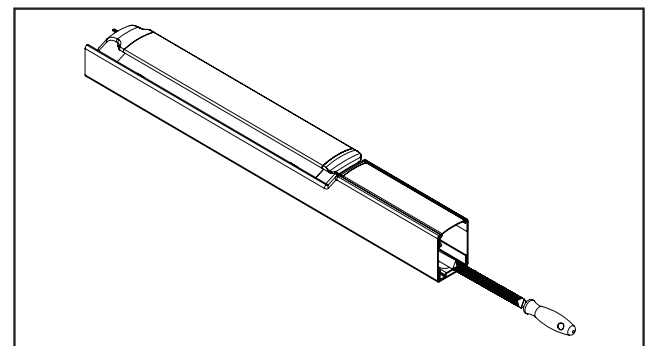
D. Wrap the rail and insert in masking tape, as shown.



E. Place the rail cutting guide over the masking tape and align it with the cut line. Clamp the cut guide to the rail using a C-clamp.



F. Using a hack saw with a new blade or a chop saw with a metal cutting blade, cut the rail, ensuring that the blade stays pressed against the rail cutting guide.



G. Deburr and smooth all cut edges with a file.

# PED5800 Series (A WD, WD, A WD M55, & WD M55)

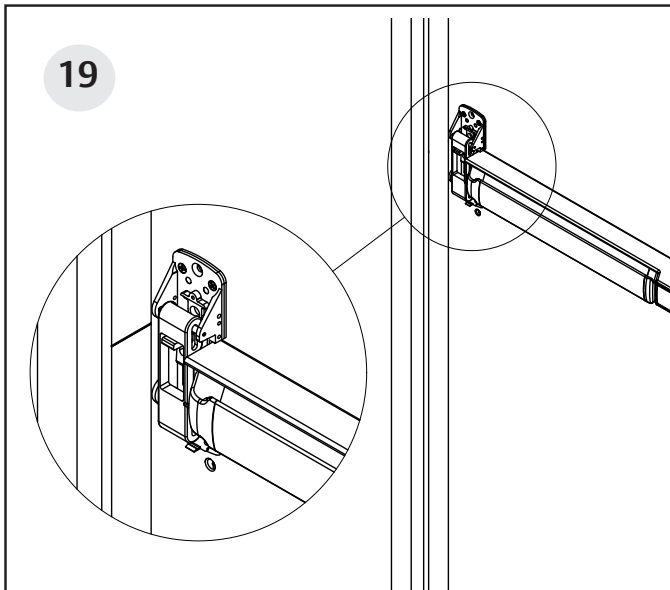


ASSA ABLOY

## Concealed Vertical Rod Exit Devices

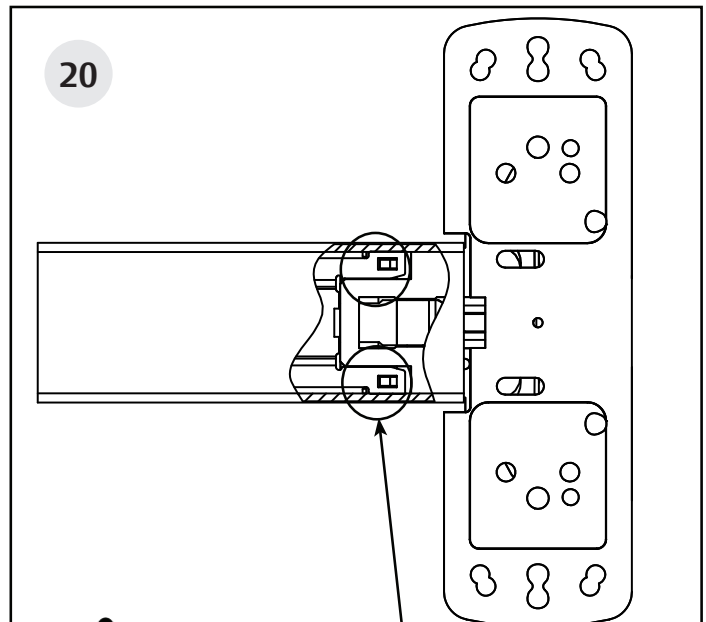
### Installation Instructions

19



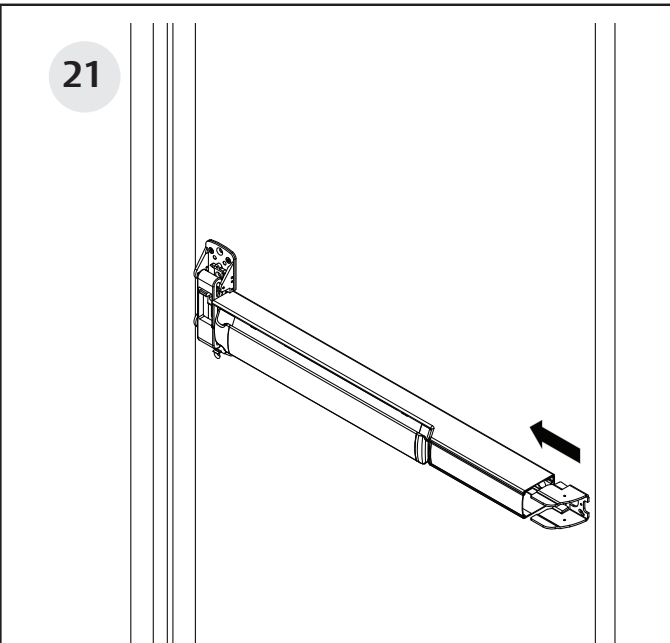
Slide the rail assembly on the chassis.  
Tighten chassis mounting screws.

20



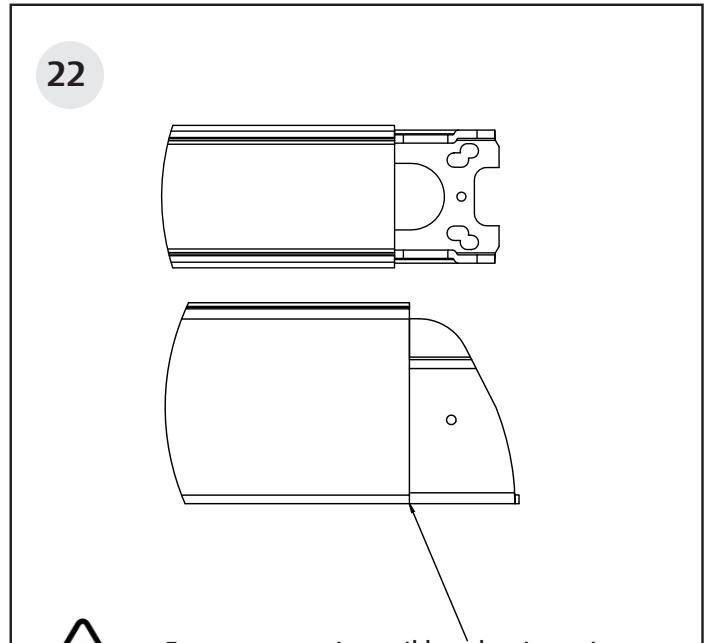
Ensure rail carrier tabs are aligned with chassis.

21



Insert the mounting bracket in the end of the rail.

22



Ensure mounting rail bracket is against the rail without a gap.

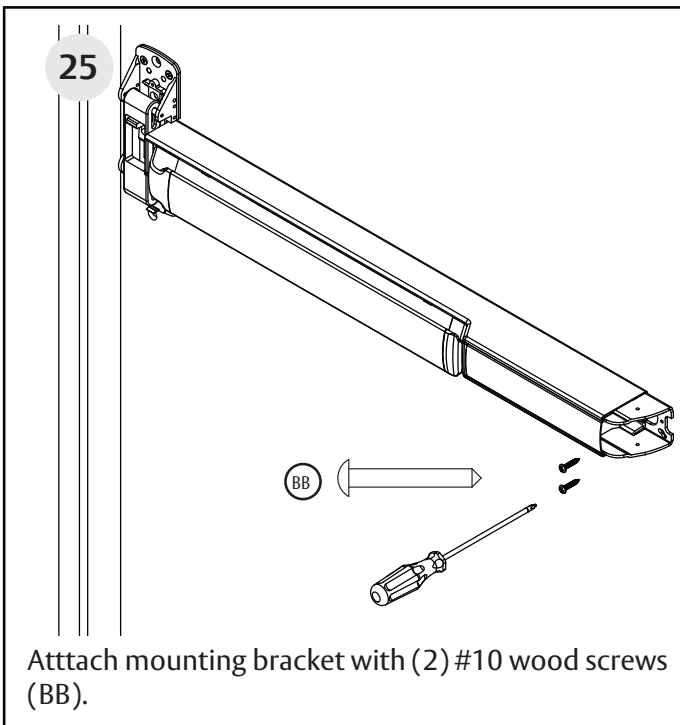
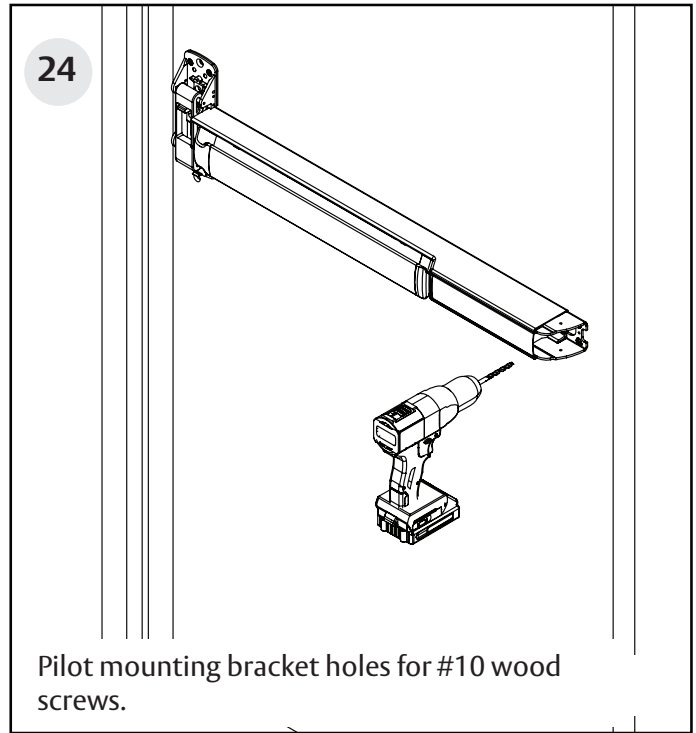
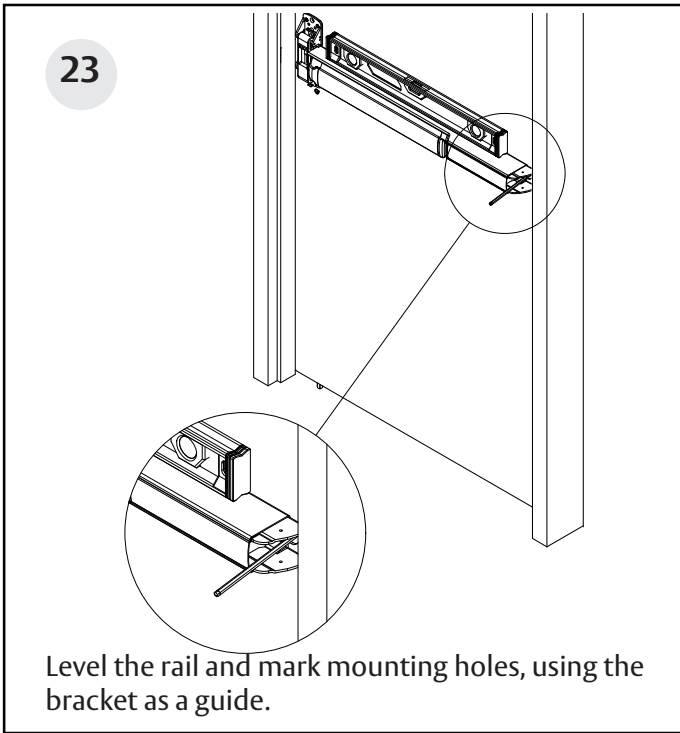
# PED5800 Series (A WD, WD, A WD M55, & WD M55)



ASSA ABLOY

## Concealed Vertical Rod Exit Devices

### Installation Instructions



# PED5800 Series (A WD, WD, A WD M55, & WD M55)

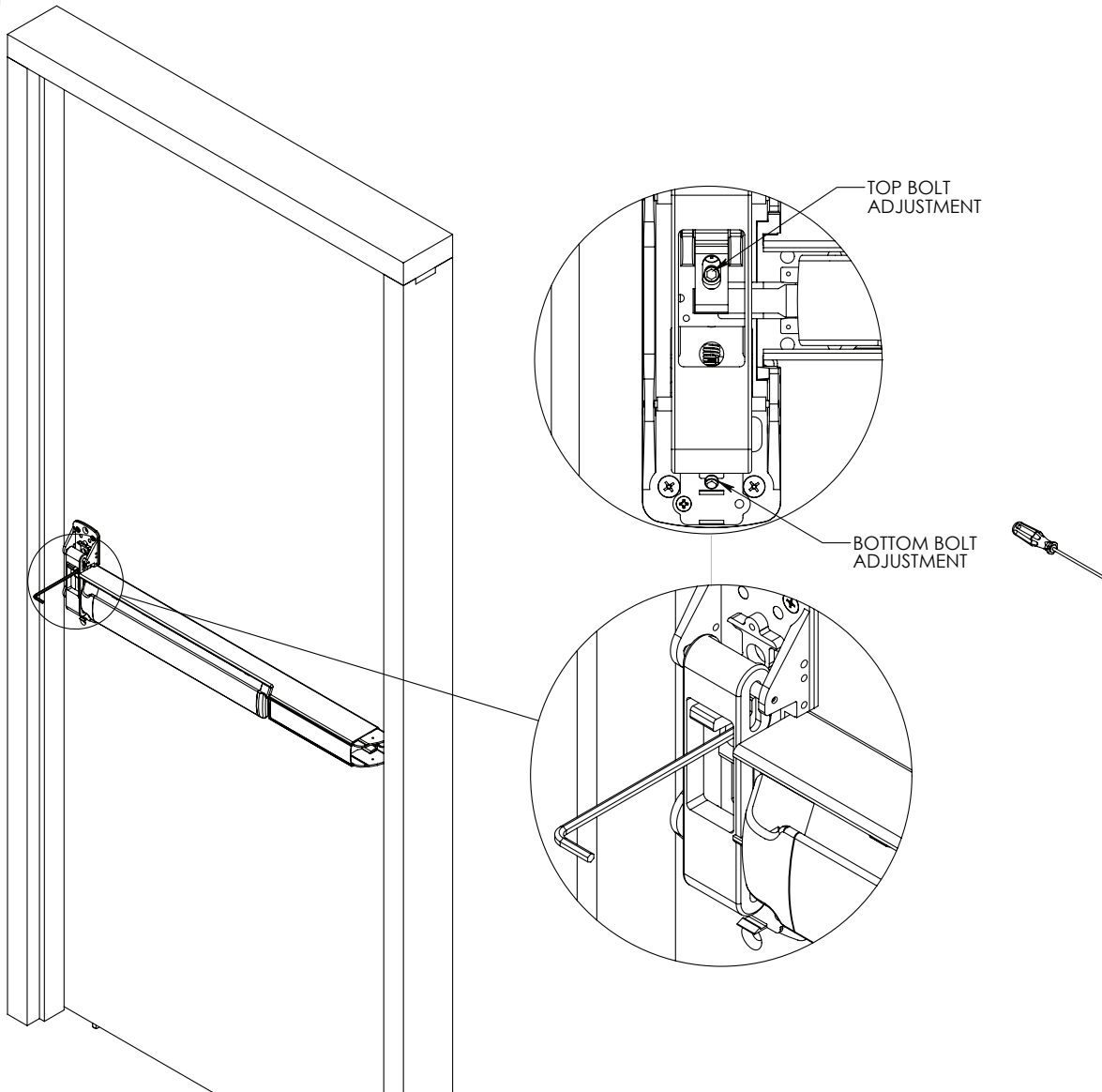


ASSA ABLOY

## Concealed Vertical Rod Exit Devices

### Installation Instructions

26



If adjustments are needed, before closing the door check the following:

- Push rail in to retract bolts.
- Bolts stay retracted (hold back).
- Bolts release when the door closes. The button inside the top of the door hits the frame.
- The bolt engages with the strike 1/4" - 5/16".

For final adjustment close door to adjust.

- Use 5/32" Allen wrench to adjust projection. Turn clockwise to adjust the bolt back into the door. Turn counter clockwise to extend the bolt.

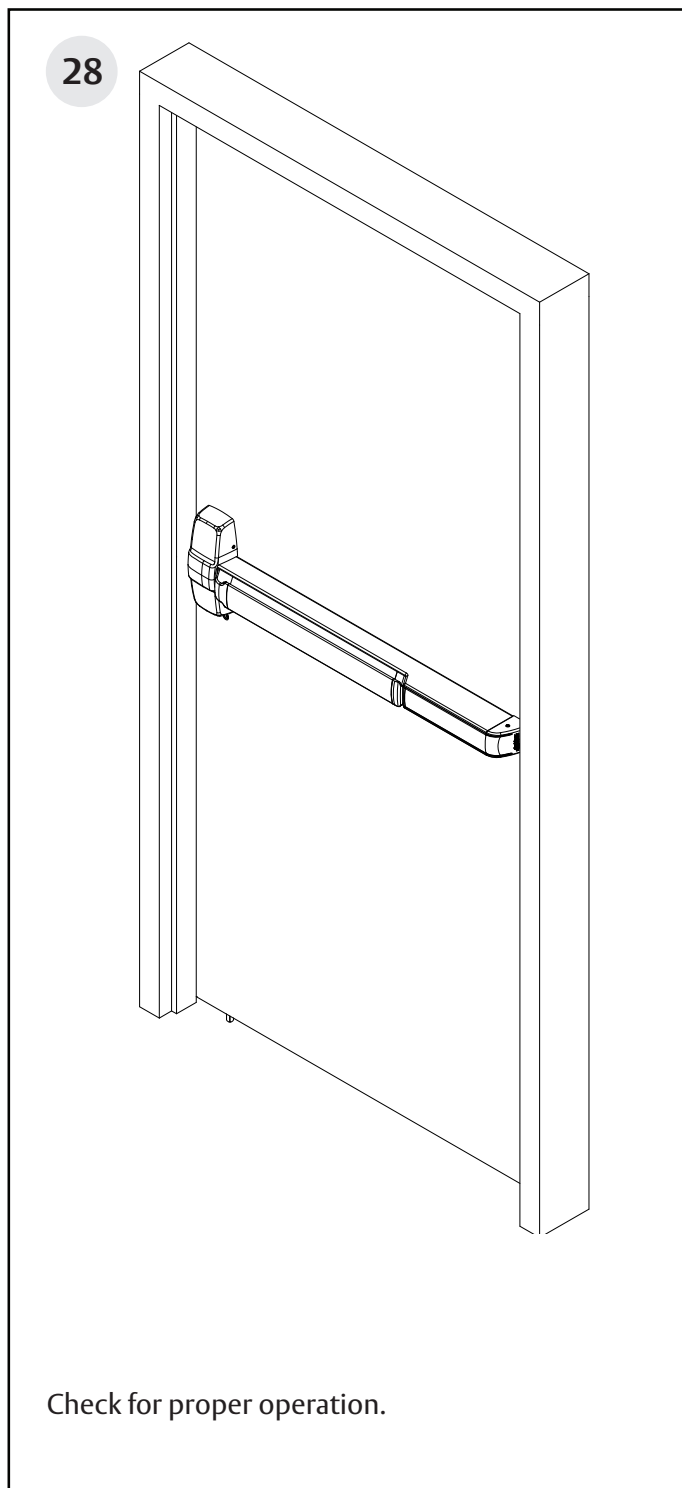
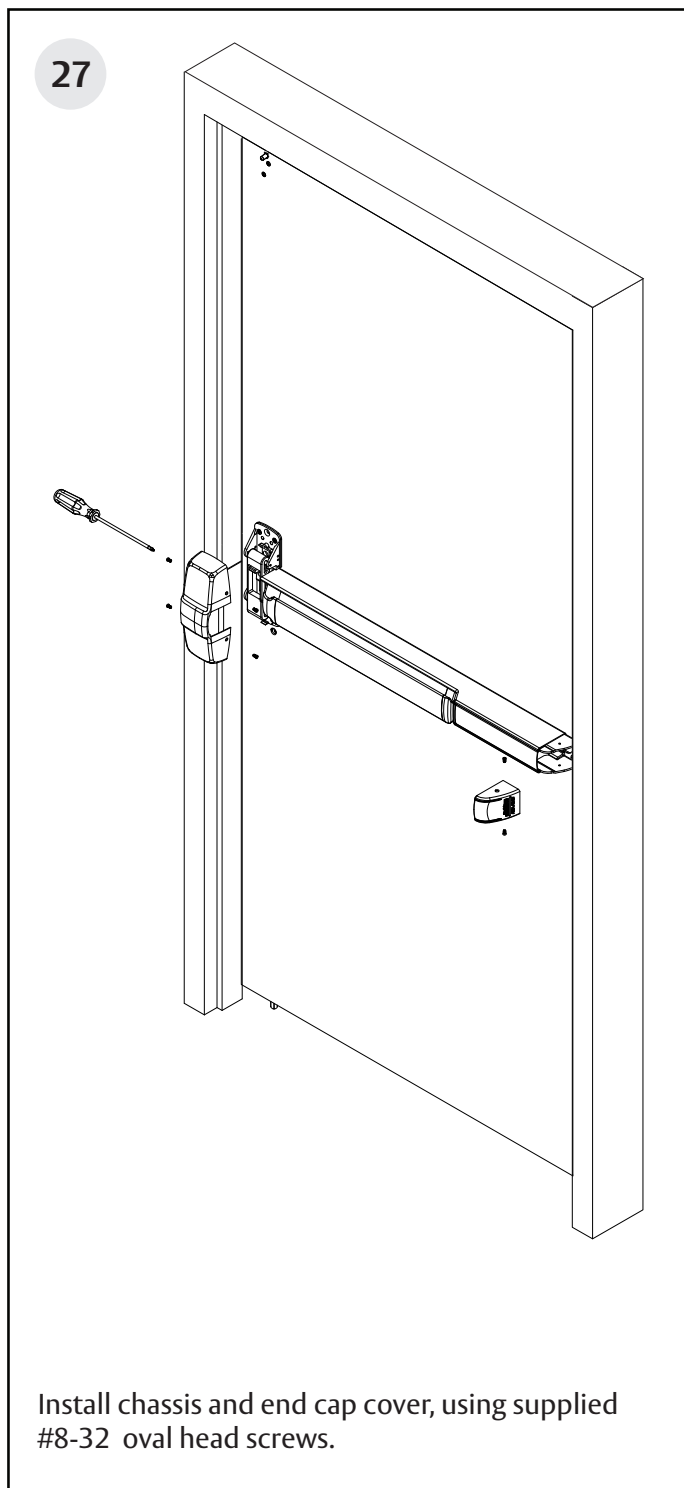
# PED5800 Series (A WD, WD, A WD M55, & WD M55)



ASSA ABLOY

## Concealed Vertical Rod Exit Devices

### Installation Instructions



# PED5800 Series (A WD, WD, A WD M55, & WD M55)

## Concealed Vertical Rod Exit Devices

### Installation Instructions





1-800-543-3658 • [techsupport.corbinruswin@assaabloy.com](mailto:techsupport.corbinruswin@assaabloy.com)

Copyright © 2023 ASSA ABLOY Access and Egress Hardware Group, Inc. All rights reserved. Reproduction in whole or in part without the express written permission of ASSA ABLOY Access and Egress Hardware Group, Inc. is prohibited. Patent pending and/or patent [www.assaabloydss.com/patents](http://www.assaabloydss.com/patents).

FM608 01/23

Experience a safer  
and more open world