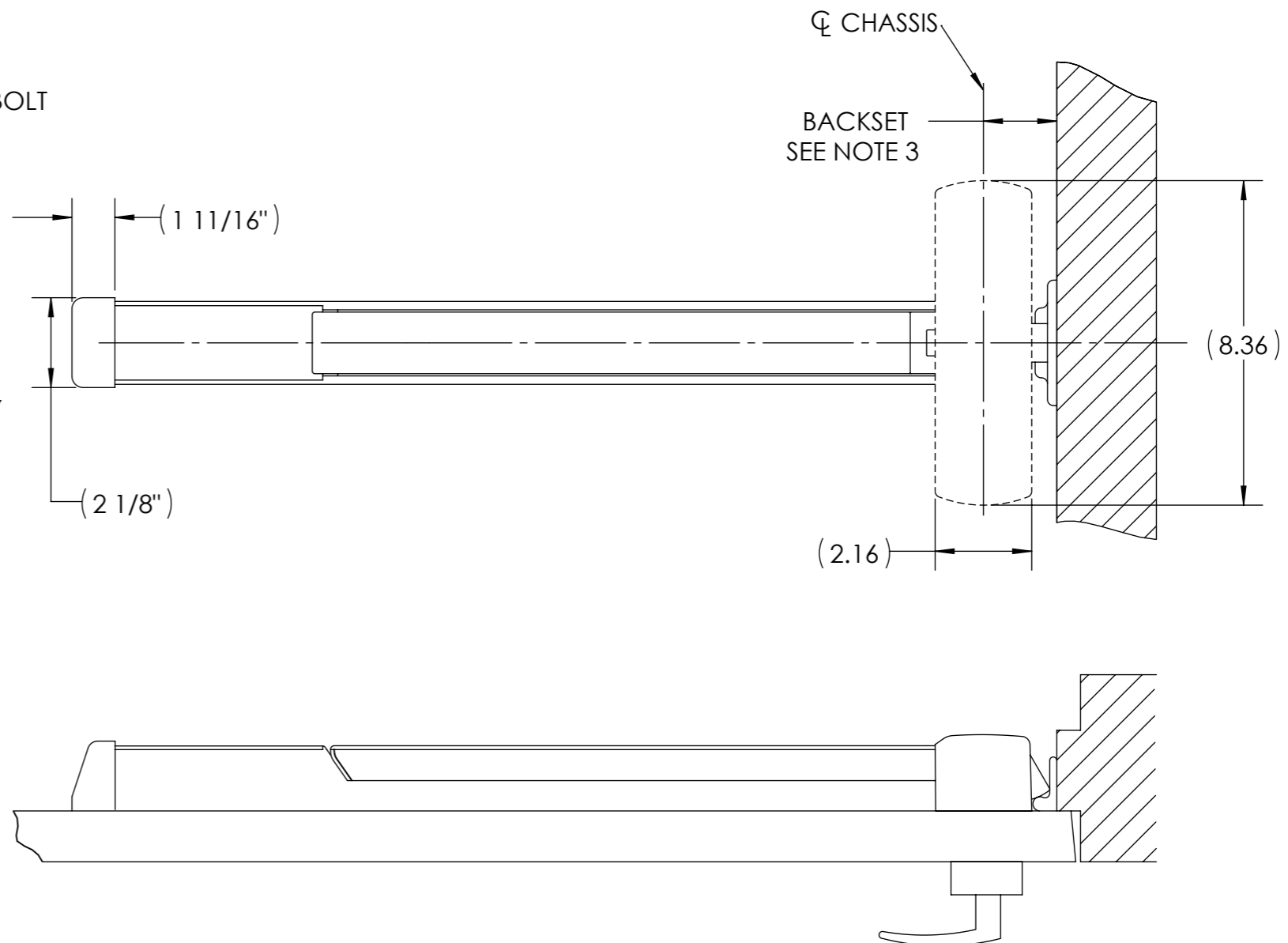


FOR USE WITH TRIMS:
P713-8
P743-8
P715-8
845PT
855PT
810PT
945PT
955PT
910PT



NOTES:

1. TOLERANCE ON ALL DIMENSIONS $\pm 1/64$ ".
2. WE RECOMMEND THAT ALL TAPPED HOLES BE DRILLED & TAPPED IN FIELD.
3. FOR MOUNTING LOCATION SEE STRIKE TEMPLATE MEDT39 (649 STANDARD STRIKE) FOR HC RIM EXIT DEVICES.
4. SEE MASTER SHEET No. MEDT23 FOR AREAS REQUIRING REINFORCEMENTS.
5. SURFACE OF DOOR WHERE EXIT DEVICE IS TO BE APPLIED MUST BE FLUSH.
6. FOR OUTSIDE TRIM SEE TEMPLATE MEDT20.
7. FOR GLASS BEADED DOORS, IF GLASS BEAD CANNOT BE REMOVED, USE GLASS BEAD SHIM KIT (AVAILABLE ON ORDER).

ASSA ABLOY
Opening Solutions
Experience a safer
and more open world
1-800-888-7821 • assa.com

TEMPLATE: HC RIM EXIT DEVICE FOR
USE WITH LEVER LATCH-RETRACT
TRIM FUNCTIONS

RELEASE DATE
5/24/23
TEMPLATE NO.
MEDT75