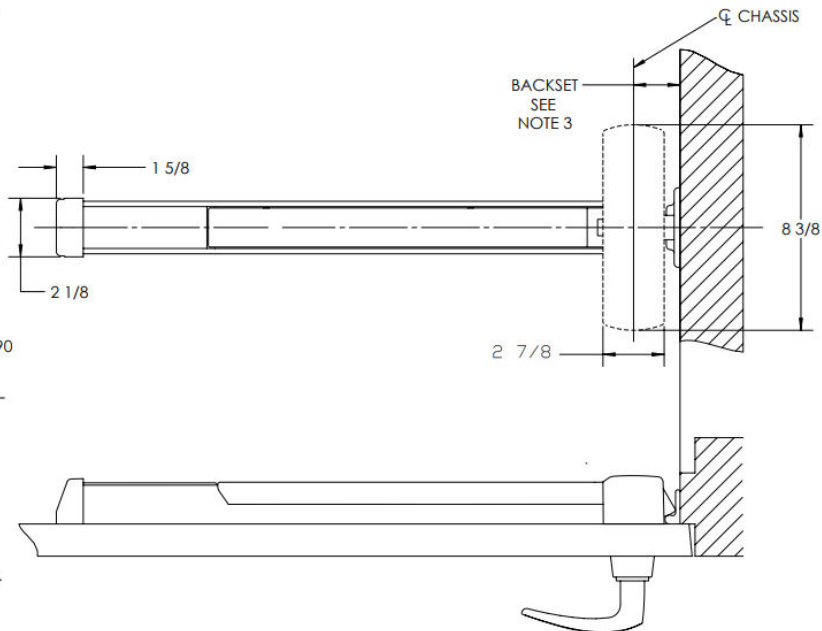


FUNCTION	CUT-OUTS				
	CUT-OUT 1		CUT-OUT 2		
	DIM "A"	DIM "B"	DIM "C"	DIM "D"	DIM "E"
PE8816 PED5242	2 1/8	Ø 1 3/8	1 13/16	1 5/16	2 1/8
PE8828 PED5210T	-----	-----	2 3/8	1 3/8	1 1/2
PE8863 PED5255T PE8866 PED5242T	2 1/8	Ø 1 3/8	2 3/8	1 3/8	1 1/2



- ⑧ — SEE TEMPLATES No. MEDT17 FOR ELECTRICAL RACEWAY DETAILS WHEN NEEDED.
- ⑦ — FOR ALL OTHER PREMIUM RIM EXIT DEVICE FUNCTIONS, SEE TEMPLATE MEDT44.
- ⑥ — FOR GLASS BEADED DOORS, IF BEAD CANNOT BE REMOVED, USE GLASS BEAD SHIM KIT (AVAILABLE ON ORDER).
- ⑤ — SURFACE OF DOOR, WHERE EXIT DEVICE IS TO BE APPLIED, MUST BE FLUSH.
- ④ — SEE MASTER SHEET No. MEDT23 FOR AREAS REQUIRING REINFORCEMENTS.
- ③ — SEE STRIKE TEMPLATE FOR MOUNTING LOCATION OF STRIKE.
- ② — WE RECOMMEND THAT ALL TAPPED HOLES BE DRILLED & TAPPED IN FIELD.
- ① — TOLERANCE ON ALL DIMENSIONS ±1/64".

ASSA ABLOY
Opening Solutions

DOOR MANUFACTURERS TEMPLATE:
RIM EXIT DEVICE, FUNCTIONS
WITH BELL HOUSING CHASSIS

RELEASE DATE
4/22/22
TEMPLATE NO.
MEDT43