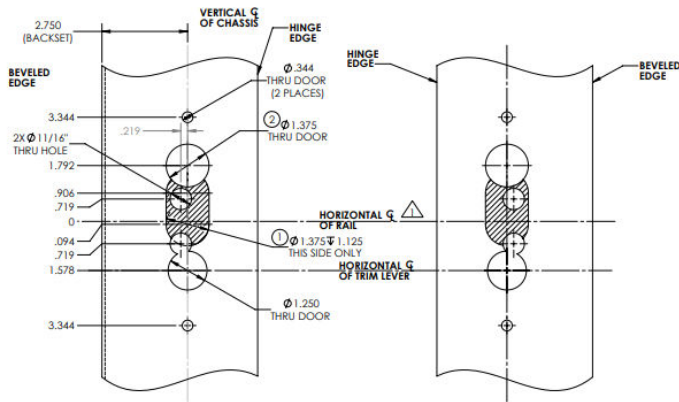


WOOD DOOR

SERIES	FUNCTIONS	FEATURE ① ECOFLEX	FEATURE ② (CYLINDER)
WIDE STILE RIM EXIT DEVICES	P773-B, P774-B, 8910PT, 8903PT, 9910PT, 9903PT	X	---
	P775-B, P776-B, 8903PT, 8905PT, 9903PT, 9905PT	X	X



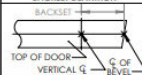
RHR OUTSIDE OF DOOR

LHR OUTSIDE OF DOOR

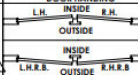
AUTHORIZED PREFIXES

54-1M93

BACKSET DEFINITION



DOOR HANDING



ASSA BLOY

ASSA BLOY

ASSA BLOY

ASSA BLOY

ASSA BLOY

ASSA BLOY

ASSA BLOY

ASSA BLOY

ASSA BLOY

DOOR MFG TEMPLATE:
ECOFLEX EXIT TRIM CONTROL FOR USE
WITH WIDE STILE RIM TYPE EXIT DEVICES
WOOD DOOR (SHEET 2 OF 2)

RELEASE DATE

5/16/22

TEMPLATE NO.

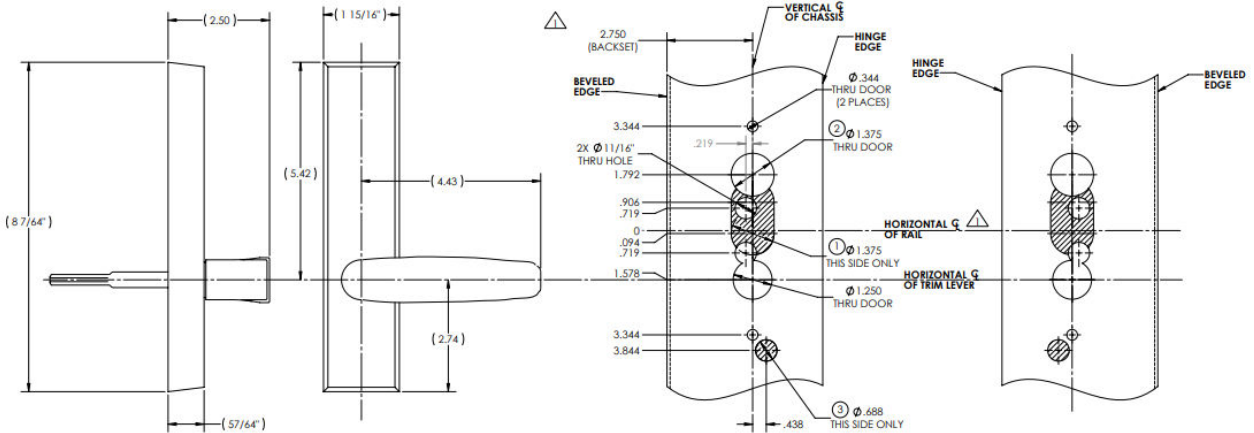
MEDT27

NOTES:

- FOR LOCATION OF VERTICAL CENTERLINES, HORIZONTAL CENTERLINES AND ALL ADDITIONAL EXIT DEVICES PREP. REFER TO APPROPRIATE EXIT DEVICE TEMPLATE.
- BEVEL REQUIRED (NOT SHOWN). PREP TO ANSI A115 SPECIFICATIONS.
- TOLERANCE ALL DIMENSIONS \pm 0.15.
- FOR TRIM DIMENSIONS OR METAL DOOR PREP SEE SHEET 1.

METAL DOOR

SERIES	FUNCTIONS	FEATURE ① ECORLEX	FEATURE ② (CYLINDER)	FEATURE ③ LEVER MONITOR
P773-8, P774-8, 891OPT, 893OPT, 991OPT, 993OPT	X	--	--	--
54-P773-8, 54-P774-8, 891OPT M93, 893OPT M93, 991OPT M93, 993OPT M93	X	--	--	X
775-8, 776-8P775-8, P774-8, 8903PT, 8905PT, 9903PT, 9905PT	X	X	X	--
54-P775-8, 54-P774-8, 8903PT M93, 8905PT M93, 9903PT M93, 9905PT M93	X	X	X	X
ALL OTHER 54- / M93	--	--	SEE NOTE 2	X



RHRB OUTSIDE OF DOOR

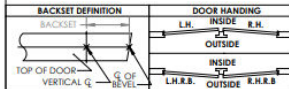
LHRB OUTSIDE OF DOOR

NOTES:

- FOR LOCATION OF VERTICAL CENTERLINES, HORIZONTAL CENTERLINES AND ALL ADDITIONAL EXIT DEVICES PREP. REFER TO APPROPRIATE EXIT DEVICE TEMPLATE.
- FOR ADDITIONAL "ET" TRIM DOOR PREP CUTOUTS REFER TO TEMPLATE MEDT20.
- SUITABLE REINFORCEMENT REQUIRED FOR METAL DOORS.
- BEVEL REQUIRED (NOT SHOWN). PREP TO ANSI A11.5 SPECIFICATIONS.
- TOLERANCE ALL DIMENSIONS ±.015.
- FOR WOOD DOOR PREP SEE SHEET 2.

AUTHORIZED PREFIXES

54- /M93



ASSA ABLOY
Lever Solutions

DOOR MFG TEMPLATE: LEVER MONITORING AND ECORLEX EXIT TRIM CONTROL
FOR USE WITH WIDE STILE BSA TYPE EXIT DEVICES
METAL DOOR (SHEET 1 OF 2)

RELEASE DATE: 5/16/22
TEMPLATE NO.: MEDT27