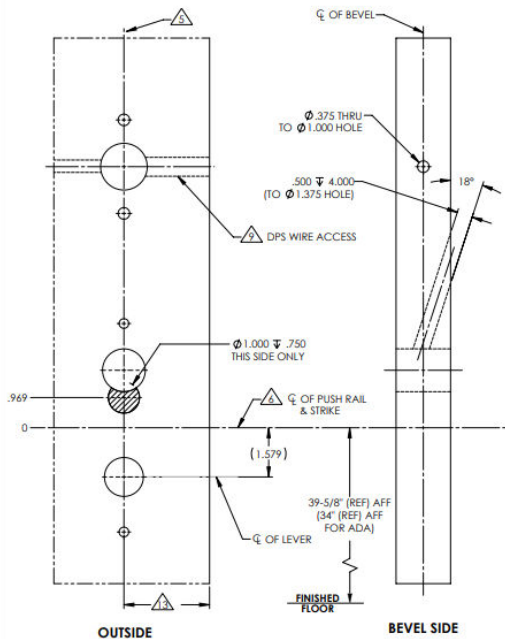
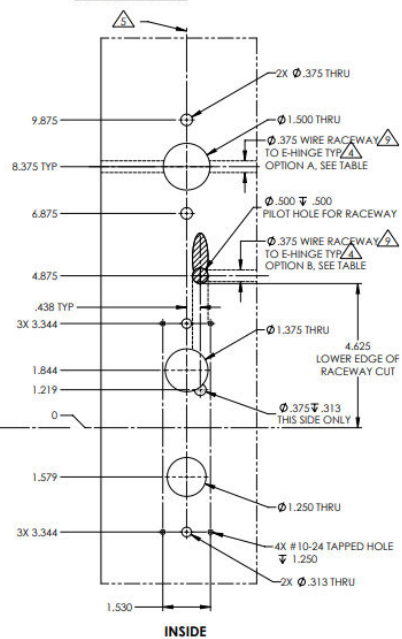


WOOD DOOR

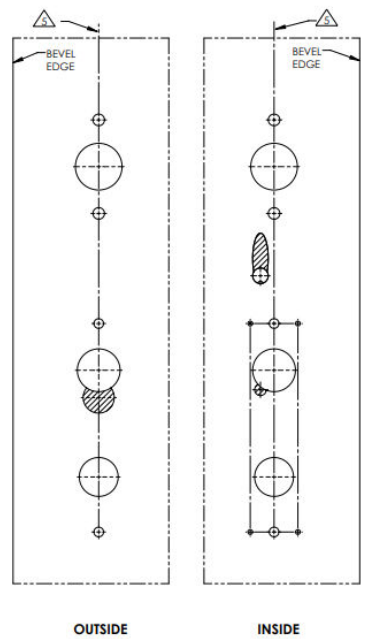


OUTSIDE

BEVEL SIDE



INSIDE

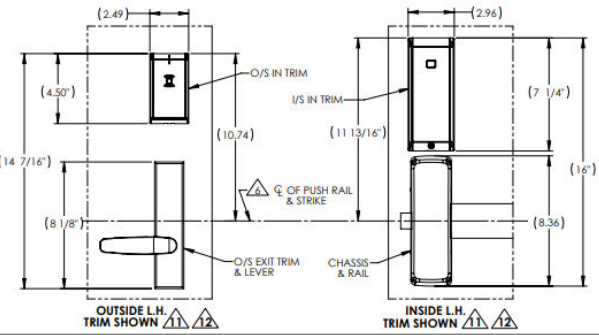


OUTSIDE

INSIDE

- NOTES:**
- DRAWING IS NOT TO SCALE. PREPARATION DETAILS ARE IN SUPPLEMENT TO ANS/BHMA A156.115 AND/OR A157. REFERENCE STRIKE TEMPLATE FOR DETAILS TO PREPARE FRAME.
 - FOR ELECTROLYNX APPLICATIONS, REFER TO MCKINNEY TRANSFER DEVICE CATALOG.
 - VERTICAL CENTERLINE IS REFERENCED FROM THE CENTERLINE OF THE BEVEL. (INDUSTRY STANDARD BEVEL IS 1/8 INCH IN 2 INCHES.)
 - CONSULT THE AUTHORITY HAVING JURISDICTION (A.H.J.) TO VERIFY THE RECOMMENDED MOUNTING HEIGHT ABOVE THE FINISHED FLOOR (AFF). STANDARD TOLERANCE OF ± .015 APPLIES TO ALL DOOR PREPARATION REQUIREMENTS, UNLESS OTHERWISE SPECIFIED.
 - DOOR REINFORCEMENT IS RECOMMENDED TO IMPROVE SURFACE MOUNTED FASTENER HOLDING POWER AND CRUSH RESISTANCE (WHEN THRU-BOLTING IS EMPLOYED). CONSTRUCTION TECHNIQUES SHOULD REFLECT INDUSTRY BEST PRACTICES (I.E. WINDMA, SON) AND AUTHORIZED METHODS WHERE LABEL SERVICE (I.E. UL, W-H) IS IN EFFECT.
 - WIRE RACEWAY AREAS SHOULD BE FREE OF OBSTRUCTIONS & SHARP EDGES TO PROTECT WIRES FROM CUTS & ABRASIONS.
 - CAREFULLY NOTE WHICH FEATURES ARE OPTIONAL, WHETHER THE FEATURE APPLIES TO BOTH SIDES OF THE DOOR AND/OR IF A DEPTH APPLIES.
 - MAXIMUM PRODUCT DIMENSIONS ARE SHOWN FOR THE PURPOSE OF VERIFYING FITMENT WITH DOOR FRAME STOPS, DOOR STILE SIZE & LIGHT/OUVER KITS.
 - NARROW ESCUTCHEON SHOWN, IF OPTIONAL LEVERS OR TRIM ARE USED REFERENCE THE RELATED PRODUCT DIMENSIONS TO VERIFY THE FITMENT REQUIREMENTS.
 - SEE STRIKE TEMPLATE FOR VERTICAL CENTER LINE OF CHASSIS.

L.H. DOOR



OUTSIDE L.H. TRIM SHOWN

INSIDE L.H. TRIM SHOWN

R.H. DOOR

AUTHORIZED OPTIONS			
IN100, IN120, IN220			
OPTIONS TABLE			
OPTION	DESCRIPTION	USED FOR OPTIONS	
A.	HARD WIRE	71 / M35	ALL OTHERS
B.	POWER OVER ETHERNET	R220	ALL OTHERS
		X	-

BACKSET DEFINITION		DOOR HANDING			
		L.H.	R.H.	INSIDE	OUTSIDE
		L.H.R.B.	R.H.R.B.	INSIDE	R.H.R.B.

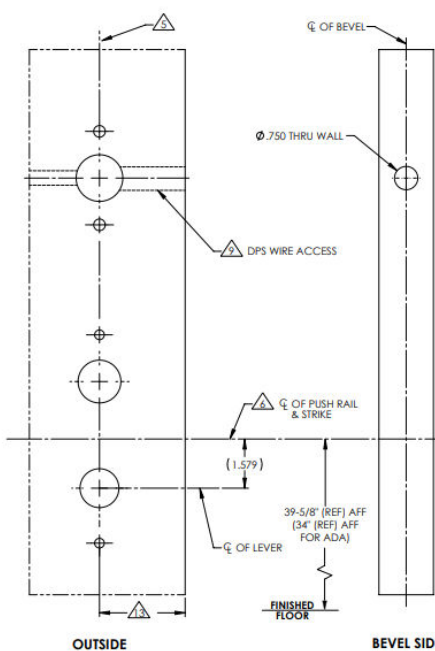
ASSA ABLOY

DOOR MANUFACTURERS TEMPLATE: IN SERIES TRIM WOOD DOOR SERIES RIM EXIT DEVICE

RELEASE DATE: JUL 2022

TEMPLATE NO: MEDT53

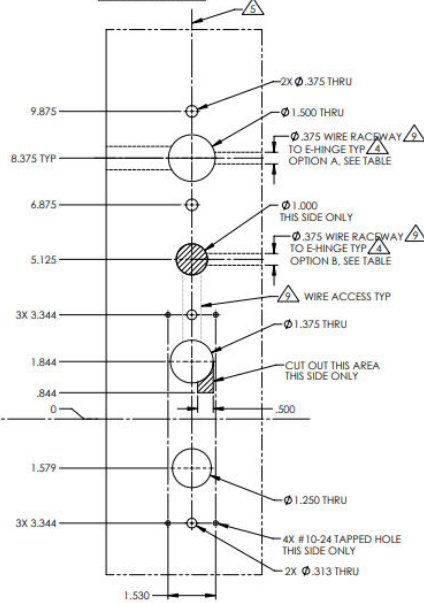
SHEET 2 OF 2



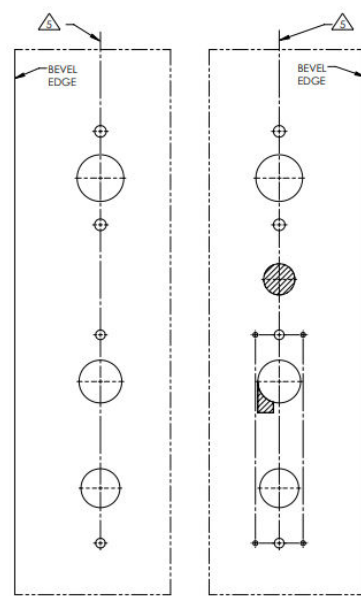
OUTSIDE

BEVEL SIDE

METAL DOOR



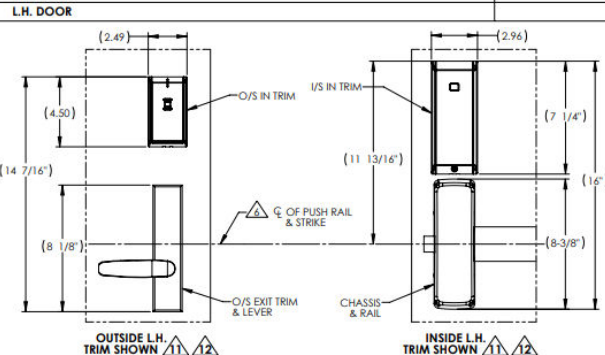
INSIDE



OUTSIDE

INSIDE

- NOTES:**
- DRAWING IS NOT TO SCALE. PREPARATION DETAILS ARE IN SUPPLEMENT TO ANSI/BHMA A156.115 AND/OR A115W.
 - REFERENCE STRIKE TEMPLATE FOR DETAILS TO PREPARE FRAME.
 - FOR ELECTROLYNX APPLICATIONS, REFER TO MCKINNEY TRANSFER DEVICE CATALOG.
 - VERTICAL CENTERLINE IS REFERENCED FROM THE CENTERLINE OF THE BEVEL (INDUSTRY STANDARD BEVELS 1/8 INCH IN 2 INCHES).
 - CONSULT THE AUTHORITY HAVING JURISDICTION (AHJ) TO VERIFY THE RECOMMENDED MOUNTING HEIGHT ABOVE THE FINISHED FLOOR (AFF). STANDARD TOLERANCE OF ±.015 APPLIES TO ALL DOOR PREPARATION REQUIREMENTS, UNLESS OTHERWISE SPECIFIED.
 - DOOR REINFORCEMENT IS RECOMMENDED TO IMPROVE (SURFACE MOUNTED) FASTENER HOLDING POWER AND CRUSH RESISTANCE (WHEN THRU-BOLTING IS EMPLOYED). CONSTRUCTION TECHNIQUES SHOULD REFLECT INDUSTRY BEST PRACTICES (I.E. WDMA, SDI) AND AUTHORIZED METHODS WHERE LABEL SERVICE (I.E. UL, W-H) IS IN EFFECT.
 - WIRE RACEWAY AREAS SHOULD BE FREE OF OBSTRUCTIONS & SHARP EDGES TO PROTECT WIRES FROM CUTS & ABRASIONS.
 - CAREFULLY NOTE WHICH FEATURES ARE OPTIONAL, WHETHER THE FEATURE APPLIES TO BOTH SIDES OF THE DOOR AND/OR IF A DEPTH APPLIES.
 - MAXIMUM PRODUCT DIMENSIONS ARE SHOWN FOR THE PURPOSE OF VERIFYING FITMENT WITH DOOR FRAME STOPS, DOOR STYLE SIZE & LIGHT/LOUVER KITS.
 - NARROW ESCUTCHEON SHOWN, IF OPTIONAL LEVERS OR TRIM ARE USED REFERENCE THE RELATED PRODUCT DIMENSIONS TO VERIFY THE FITMENT REQUIREMENTS.
 - SEE STRIKE TEMPLATE FOR VERTICAL CENTER LINE OF CHASSIS.



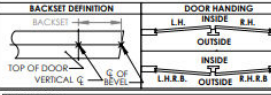
OUTSIDE L.H. TRIM SHOWN 11 12

INSIDE L.H. TRIM SHOWN 11 12

AUTHORIZED OPTIONS
IN100, IN120, IN220

OPTIONS TABLE

OPTION	DESCRIPTION	USED FOR PREFIXES	ALL OTHERS
A	HARD WIRE	7 / M35	ALL OTHERS
X		IN220	ALL OTHERS
B	POWER OVER ETHERNET	X	ALL OTHERS



ASSA ABLOY
ASSA ABLOY
ASSA ABLOY

DOOR MANUFACTURERS TEMPLATE: RELEASE DATE JUL 2022
METAL DOOR: TEMPLATE NO. MED153
SERIES RIM EXIT DEVICE SHEET 1 OF 2