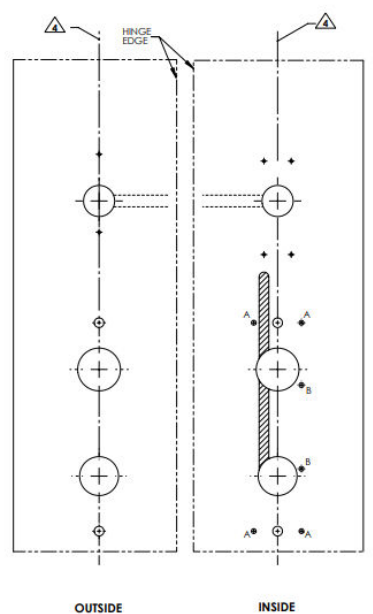
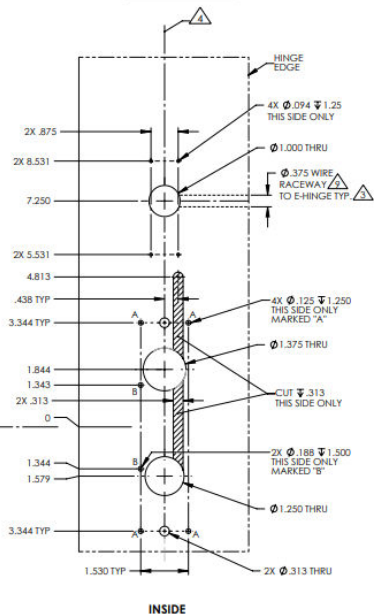
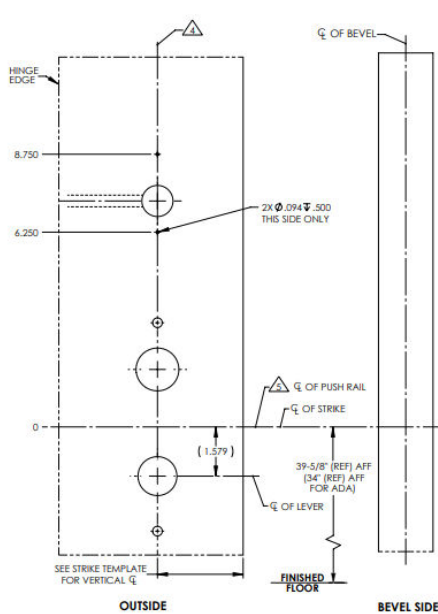


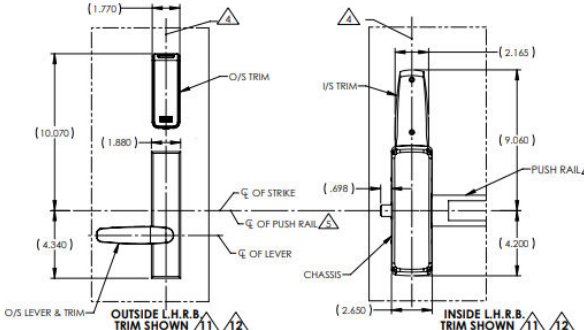
WOOD DOOR



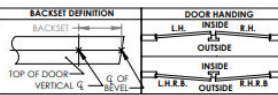
L.H.R.B. DOOR

R.H.R.B. DOOR

- NOTES:
1. DRAWING IS NOT TO SCALE.
 2. REFERENCE STRIKE TEMPLATE FOR DETAILS TO PREPARE FRAME.
 3. FOR ELECTROLINX APPLICATIONS, REFER TO MCKINNEY TRANSFER DEVICE CATALOG.
 4. VERTICAL CENTERLINE IS REFERENCED FROM THE CENTERLINE OF THE BEVEL. (INDUSTRY STANDARD BEVEL IS 1/8 INCH IN 2 INCHES. CONSULT THE AUTHORITY HAVING JURISDICTION (AHJ) TO VERIFY THE RECOMMENDED MOUNTING HEIGHT ABOVE THE FINISHED FLOOR (AFF).)
 5. LIMITATIONS IN THE DOOR CONSTRUCTION PROCESS MAY REQUIRE SOME HOLES TO BE FIELD-LOCATED USING THE PHYSICAL PART AS A TEMPLATE. STANDARD TOLERANCE OF ±.015 APPLIES TO ALL DOOR PREPARATION REQUIREMENTS, UNLESS OTHERWISE SPECIFIED.
 6. DOOR REINFORCEMENT IS RECOMMENDED TO IMPROVE (SURFACE MOUNTED) FASTENER HOLDING POWER AND CRUSH RESISTANCE (WHEN THRU-BOLTING IS EMPLOYED). CONSTRUCTION TECHNIQUES SHOULD REFLECT INDUSTRY BEST PRACTICES (I.E. WDMA, SDI) AND AUTHORIZED METHODS WHERE LABEL SERVICE (I.E. UL, W-H) IS IN EFFECT.
 7. WIRE RACEWAY AREAS SHALL BE FREE OF OBSTRUCTIONS & SHARP EDGES TO PROTECT WIRES FROM CUTS & ABRASIONS.
 8. CAREFULLY NOTE WHICH FEATURES ARE OPTIONAL. (WHETHER THE FEATURE APPLIES TO BOTH SIDES OF THE DOOR AND/OR IF A DEPTH APPLIES.)
 9. MINIMUM PRODUCT DIMENSIONS ARE SHOWN FOR THE PURPOSE OF VERIFYING FITMENT WITH DOOR FRAME STOPS, DOOR STYLE SIZE & LIGHT/LOWIVER KITS.
 10. NARROW ESCUTCHEON SHOWN, IF OPTIONAL LEVERS OR ROSES ARE USED REFERENCE THE RELATED PRODUCT DIMENSIONS TO VERIFY THE FITMENT REQUIREMENTS.
 11. SEE TEMPLATE MEDT44 FOR EXIT DEVICE PREP.
 12. CONCEALED DOOR POSITION SWITCH MODEL 3287 / 708F989 IS INCLUDED WITH THIS PRODUCT. SEE SARGENT TEMPLATE A74488. USE AND INSTALLATION LOCATION TO BE SPECIFIED BY OTHERS.



AUTHORIZED PREFIXES
SN200, SN210

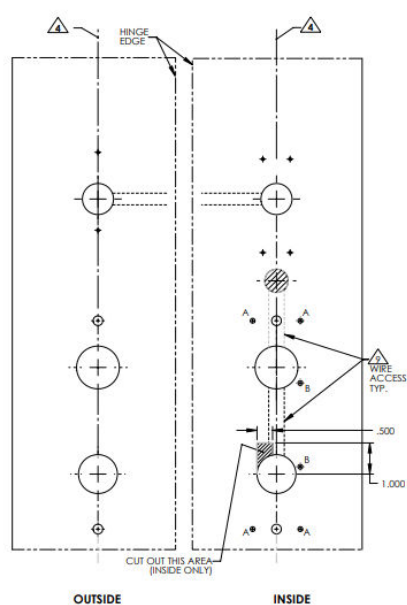
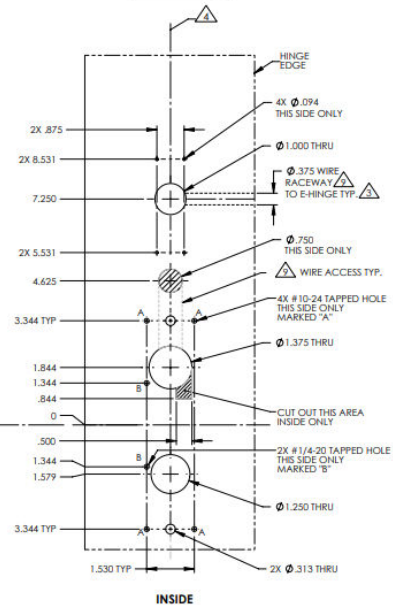
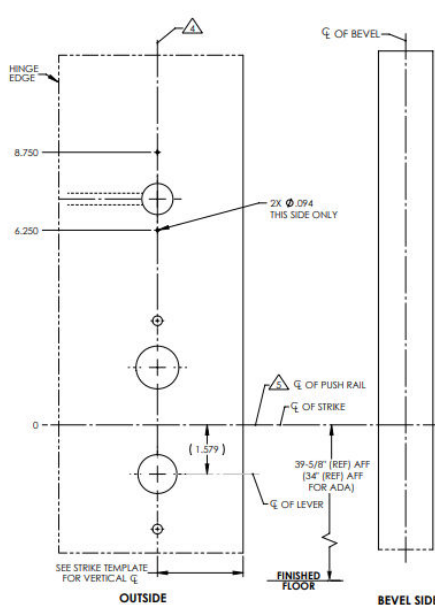


ASSA ABLOY
SARGENT & Lundy
DOOR MANUFACTURERS TEMPLATE:
SN SERIES TRIM
WOOD DOOR
RIM DEVICE

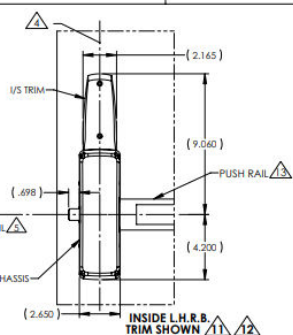
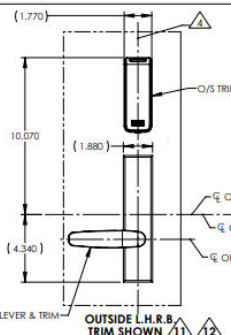
RELEASE DATE: 07/27/22
TEMPLATE NO.: MEDT56

SHEET 2 OF 2

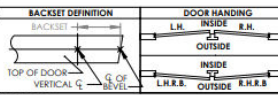
METAL PULL



L.H.R.B. DOOR



R.H.R.B. DOOR



AUTHORIZED PREFIXES
SN200, SN210

- NOTES:
- DRAWING IS NOT TO SCALE. REFERENCE STRIKE TEMPLATE TO PREPARE FRAME.
 - FOR ELECTROLYNX APPLICATIONS, REFER TO MCKINNEY TRANSFER DEVICE CATALOG.
 - VERTICAL CENTERLINE IS REFERENCED FROM THE CENTERLINE OF THE BEVEL. (INDUSTRY STANDARD BEVEL IS 1/8 INCH IN 2 INCHES). CONSULT THE AUTHORITY HAVING JURISDICTION (AHJ) TO VERIFY THE RECOMMENDED MOUNTING HEIGHT ABOVE THE FINISHED FLOOR (AFF). DIMENSIONS IN THE DOOR CONSTRUCTION PROCESS MAY REQUIRE SOME HOLES TO BE FIELD-LOCATED USING THE PHYSICAL PART AS A TEMPLATE. STANDARD TOLERANCE OF ±.015 APPLIES TO ALL DOOR PREPARATION REQUIREMENTS, UNLESS OTHERWISE SPECIFIED.
 - DOOR REINFORCEMENT IS RECOMMENDED TO IMPROVE (SURFACE MOUNTED) FASTENER HOLDING POWER AND CRUSH RESISTANCE (WHEN THRU-BOLTING IS EMPLOYED). CONSTRUCTION TECHNIQUES SHOULD REFLECT INDUSTRY BEST PRACTICES (IE. WDMA, SOI) AND AUTHORIZED METHODS WHERE LABEL SERVICE (IE. UL, W-H) IS IN EFFECT.
 - WIRE RACEWAY AREAS SHALL BE FREE OF OBSTRUCTIONS & SHARP EDGES TO PROTECT WIRES FROM CUTS & ABRASIONS.
 - CAREFULLY NOTE WHICH FEATURES ARE OPTIONAL, (WHETHER THE FEATURE APPLIES TO BOTH SIDES OF THE DOOR AND/OR IF A DEPTH APPLIES).
 - MAXIMUM PRODUCT DIMENSIONS ARE SHOWN FOR THE PURPOSE OF VERIFYING FITMENT WITH DOOR FRAME STOPS, DOOR STILE SIZE & LIGHT/LOWER KITS.
 - NARROW ESCUTCHEON SHOWN, IF OPTIONAL LEVERS OR ROSES ARE USED REFERENCE THE RELATED PRODUCT DIMENSIONS TO VERIFY THE FITMENT REQUIREMENTS.
 - SEE TEMPLATE MEDT44 FOR EXIT DEVICE PRBP.
 - CONCEALED DOOR POSITION SWITCH MODEL 3287 / 708P989 IS INCLUDED WITH THIS PRODUCT. SEE SARGENT TEMPLATE A7448B. USE AND INSTALLATION LOCATION TO BE SPECIFIED BY OTHERS.

ASSA AIDLEY
10000
DOOR MANUFACTURERS TEMPLATE: SN SERIES TRIM METAL DOOR RIM DEVICE

RELEASE DATE: 07/27/22
TEMPLATE NO. 77
SHEET 1 OF 2

MEDT56 3