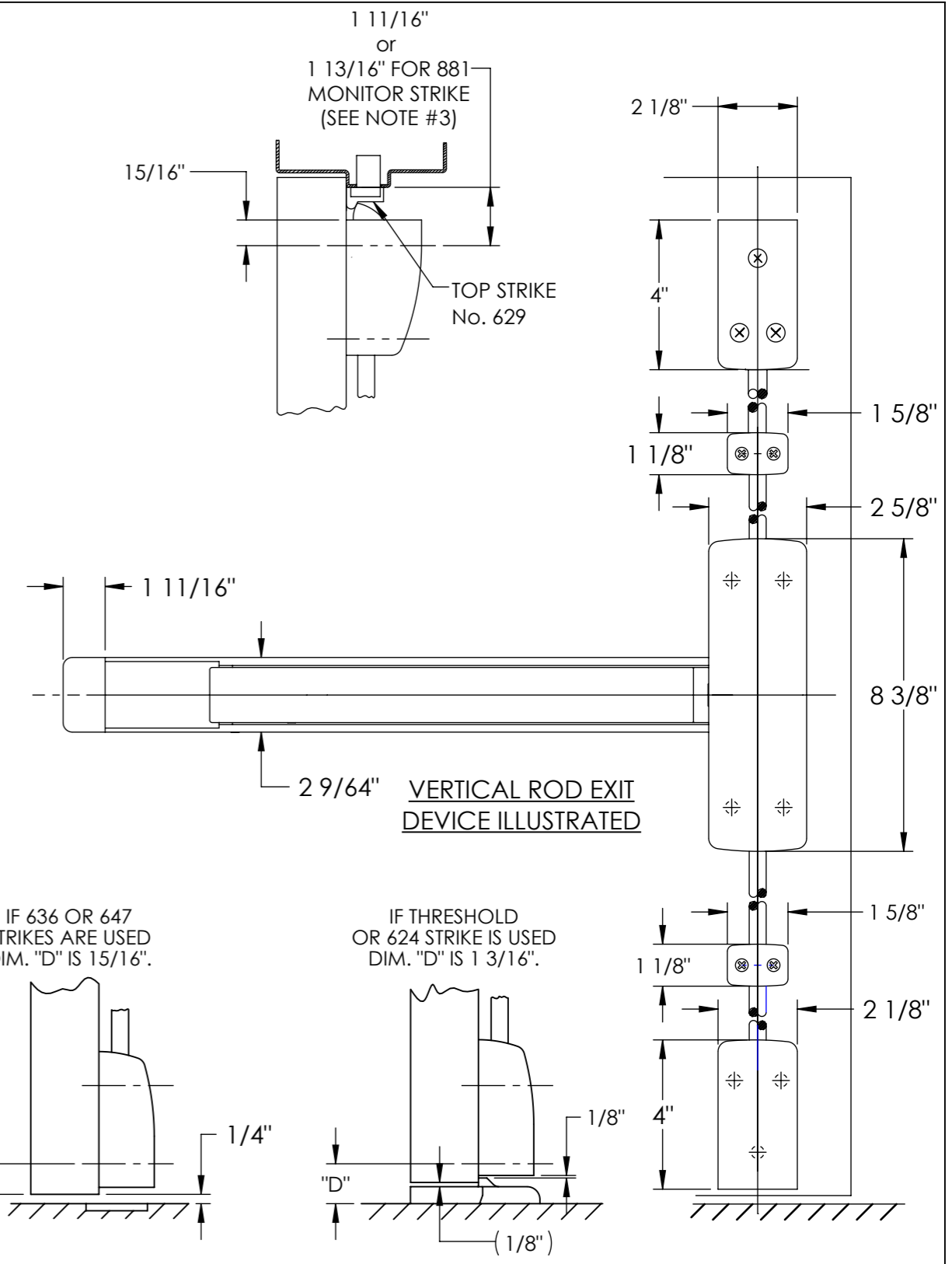
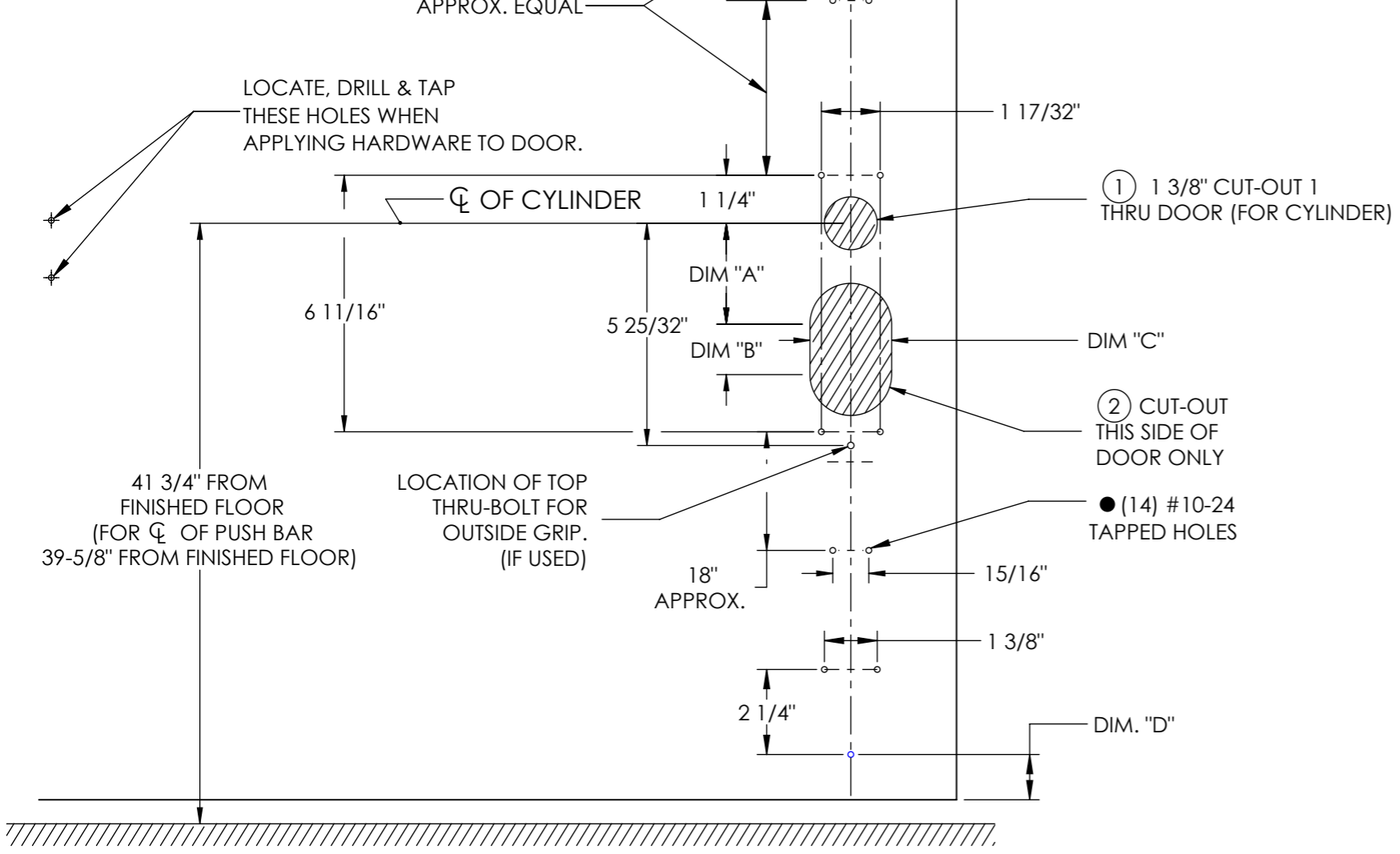


EXIT DEVICE FUNCTION		CUT-OUT ①		CUT-OUT ② INSIDE ONLY, 13/16 DEEP		
		THRU DOOR	DIM "A"	DIM "B"	DIM "C"	
PE8710 & PE8740	PED5401 & PED5450	-----	-----	-----	-----	-----
PE875, PE8773, & PE8774	PED5410, PED54910, & PED54930	-----	2 5/8"	1 5/16"	2 1/8"	
PE8706, PE8713, PE8743, & PE8746	PED5449, PED5445, PED5455, & PED5459	∅ 1 3/8" *	2 5/8"	1 5/16"	2 1/8"	
PE8728	PED5410T	-----	3 1/8"	1 3/8"	1 1/2"	
PE8762 & PE8763	PED5459T & PED5455T	∅ 1 3/8"	3 1/8"	1 3/8"	1 1/2"	

* CYL. HOLE NOT REQUIRED WHEN ET LEVER HANDLE CONTROL OR P300 / PED300 AUX CONTROL IS USED.



- NOTES:
1. TOLERANCE ON ALL DIMENSIONS ± 1/64.
 2. ● WE RECOMMEND THAT ALL TAPPED HOLES BE DRILLED AND TAPPED IN FIELD.
 3. SEE STRIKE TEMPLATE No. MEDT26 FOR 629 (TOP) AND 624, 636 & 647 (BOTTOM) STRIKES. FOR 881 MONITOR STRIKE SEE TEMPLATE MEDT24.
 4. SEE MASTER SHEET No. MEDT23 FOR AREAS REQUIRING REINFORCEMENTS.
 5. SURFACE OF DOOR WHERE EXIT DEVICE IS TO BE APPLIED MUST BE FLUSH.
 6. FOR GLASS BEADED DOORS, IF GLASS BEAD CAN NOT BE REMOVED, USE SHIM KIT (AVAILABLE ON ORDER).

ASSA ABLOY
Opening Solutions
Experience a safer and more open world
1-800-438-1952 www.assaabloy.com

DOOR MANUFACTURERS TEMPLATE:
FOR VERTICAL ROD EXIT DEVICE

RELEASE DATE
MARCH 19, 2024
TEMPLATE NO.
MEDT12_3