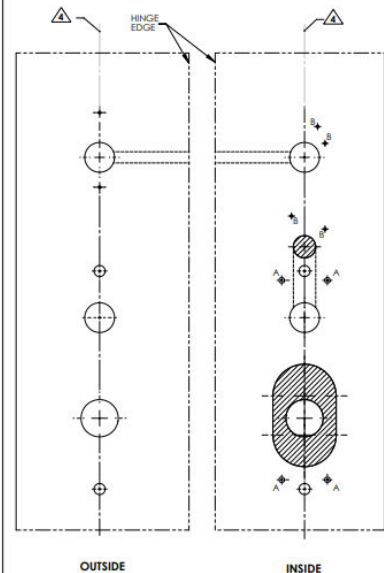
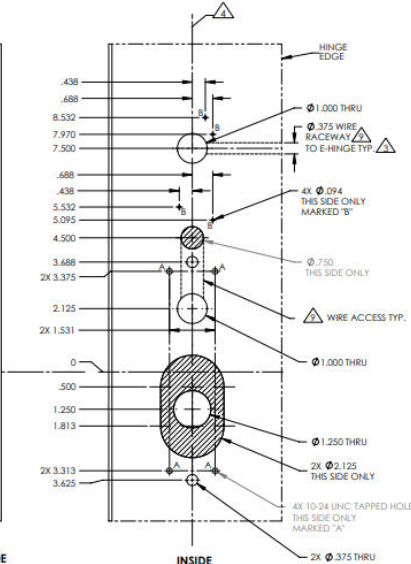
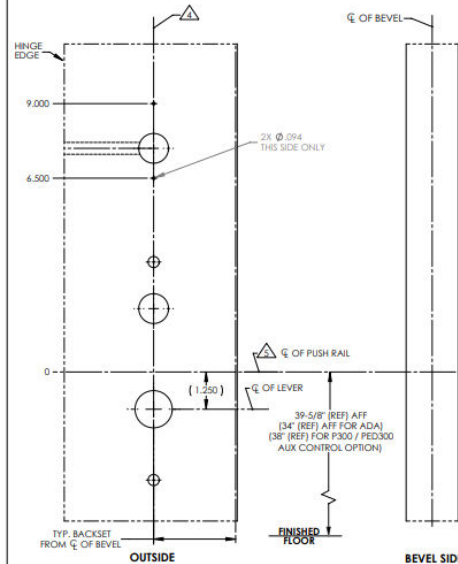


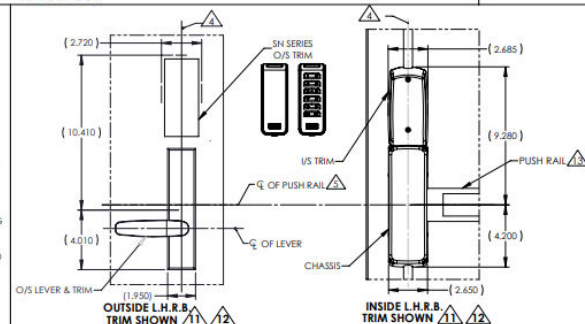
METAL DOOR



L.H.R.B. DOOR

R.H.R.B. DOOR

- NOTES:
- DRAWING IS NOT TO SCALE. REFERENCE TRIM TEMPLATE FOR DETAILS TO PREPARE FRAME.
 - FOR ELECTROLYNX APPLICATIONS, REFER TO MCKENNEY TRANSFER DEVICE CATALOG.
 - VERTICAL CENTERLINE IS REFERENCED FROM THE CENTERLINE OF THE BEVEL. (INDUSTRY STANDARD BEVEL IS 1/8 INCH IN 2 INCHES.) CONSULT THE AUTHORITY HAVING JURISDICTION (AHJ) TO VERIFY THE RECOMMENDED MOUNTING HEIGHT ABOVE THE FINISHED FLOOR (AFF). LIMITATIONS IN THE DOOR CONSTRUCTION PROCESS MAY REQUIRE SOME HOLES TO BE FIELD LOCATED USING THE PHYSICAL PART AS A TEMPLATE. STANDARD TOLERANCE OF $\pm .015$ APPLIED TO ALL DOOR PREPARATION REQUIREMENTS, UNLESS OTHERWISE SPECIFIED.
 - DOOR REINFORCEMENT IS RECOMMENDED TO IMPROVE (SURFACE MOUNTED) PATTER HOLDER POWER AND CRUSH RESISTANCE (WHEN TRIM HOLDING IS EMPLOYED). CONSTRUCTION TECHNIQUES SHOULD REFLECT INDUSTRY BEST PRACTICES (I.E. WDMA, SDI) AND AUTHORIZED METHODS WHERE LABEL SERVICE (I.E. UL, W-H) IS IN EFFECT.
 - WIRE RACEWAY AREAS SHALL BE FREE OF OBSTRUCTIONS & SHARP EDGES TO PROTECT WIRES FROM CUTS & ABRASIONS.
 - CAREFULLY NOTE WHICH FEATURES ARE OPTIONAL, (WHETHER THE FEATURE APPLIES TO BOTH SIDES OF THE DOOR AND/OR IF A DEPTH APPLIES.)
 - MAXIMUM PRODUCT DIMENSIONS ARE SHOWN FOR THE PURPOSE OF VERIFYING FITMENT WITH DOOR FRAME STOPS, DOOR SILE SIZE & LIGHT/DRAWER KITS. IF OPTIONAL LEVERS OR ROSES ARE USED, REFERENCE THE RELATED PRODUCT DIMENSIONS TO VERIFY THE FITMENT REQUIREMENTS.
 - TEMPLATE MEDT2 FOR 2" STANDARD SVR LATCH PREP MED13 FOR FIRE RATED SVR LATCH PREP, MED12 FOR TOP/BOTTOM STRIKE 4214 / FM375 FOR AUX. CONTROL PREP (OPTIONAL).
 - FOR GLASS BEADED DOORS, IF GLASS BEAD CANNOT BE REMOVED, USE SHIM KIT (AVAILABLE ON ORDER).
 - CONCEALED DOOR POSITION SWITCH IS INCLUDED WITH THIS PRODUCT. SEE TEMPLATE PROVIDED. USE AND INSTALLATION LOCATION TO BE SPECIFIED BY OTHERS.

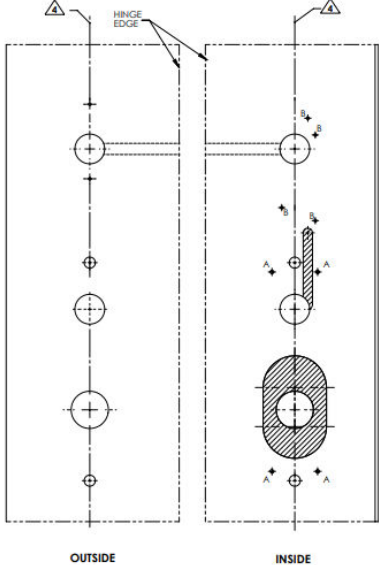
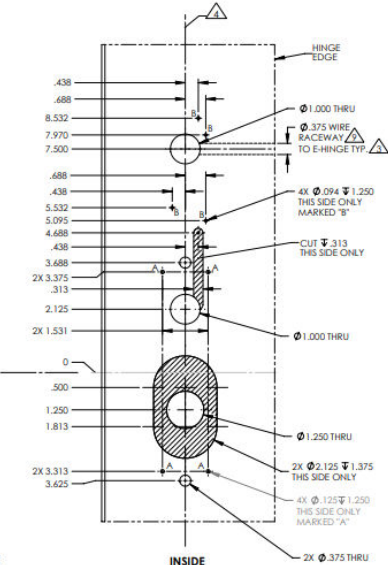
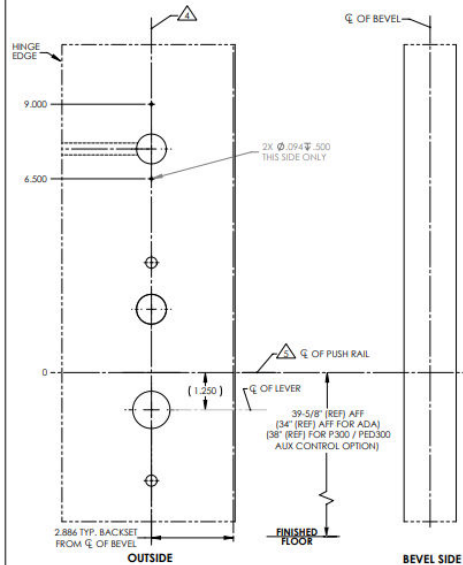


AUTHORIZED OPTIONS
 SH200, SH210

BACKSET DEFINITION		DOOR HANDING			
BACKSET		L.H.	INSIDE	R.H.	OUTSIDE
TOP OF DOOR		L.H.R.B.	INSIDE	R.H.R.B.	OUTSIDE
VERTICAL \varnothing					
\varnothing OF BEVEL					

ASSA ABLOY
 Building Solutions
 Door Manufacturers Template: RELEASE DATE 04/22/22
 SH SERIES TRIM
 METAL DOOR
 SVR DEVICE
 TEMPLATE NO. MEDT11
 SHEET 1 OF 2

WOOD DOOR

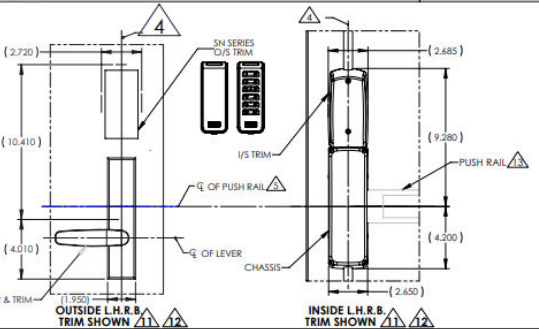


L.H.R.B. DOOR

R.H.R.B. DOOR

NOTES:

- DRAWING IS NOT TO SCALE. REFERENCE STRIKE TEMPLATE FOR DETAILS TO PREPARE FRAME.
- FOR ELECTROLYNK APPLICATIONS, REFER TO MCKINNEY TRANSFER DEVICE CATALOG.
- VERTICAL CENTERLINE IS REFERENCED FROM THE CENTERLINE OF THE BEVEL. (INDUSTRY STANDARD BEVEL IS 1/8 INCH IN 2 INCHES.) CONSULT THE AUTHORITY HAVING JURISDICTION (AHJ) TO VERIFY THE RECOMMENDED MOUNTING HEIGHT ABOVE THE FINISHED FLOOR (AFF).
- LIMITATIONS IN THE DOOR CONSTRUCTION PROCESS MAY REQUIRE SOME HOLS TO BE FIELD-LOCATED USING THE PHYSICAL PART AS A TEMPLATE. STANDARD TOLERANCE OF ± .015 APPLIES TO ALL DOOR PREPARATION REQUIREMENTS, UNLESS OTHERWISE SPECIFIED.
- DOOR REINFORCEMENT IS RECOMMENDED TO IMPROVE (SURFACE MOUNTED) FASTENER HOLDING POWER AND CRUSH RESISTANCE (WHEN THRU-BOLTING IS EMPLOYED). CONSTRUCTION TECHNIQUES SHOULD REFLECT INDUSTRY BEST PRACTICES (I.E. WDMA, SDI) AND AUTHORIZED METHODS WHERE LABEL SERVICE (I.E. LL, WH) IS IN EFFECT.
- WIRE RACEWAY AREAS SHALL BE FREE OF OBSTRUCTIONS & SHARP EDGES TO PROTECT WIRES FROM CUTS & ABRASIONS.
- CAREFULLY NOTE WHICH FEATURES ARE OPTIONAL. (WHETHER THE FEATURE APPLIES TO BOTH SIDES OF THE DOOR AND/OR IF A DEPTH APPLIES.)
- MAXIMUM PRODUCT DIMENSIONS ARE SHOWN FOR THE PURPOSE OF VERIFYING FITMENT WITH DOOR FRAME STOPS, DOOR STYLE SIZE & LIGHT/OVERVER KITS, IF OPTIONAL LEVERS OR ROSES ARE USED REFERENCE THE RELATED PRODUCT DIMENSIONS TO VERIFY THE FITMENT REQUIREMENTS.
- SEE TEMPLATE MEDT12 FOR STANDARD SVR LATCH PREP-MEDT13 FOR FIRE RATED SVR LATCH PREP-MEDT21 FOR TOP&BOTTOM STRIKE 4214 / FM4375 FOR AUX. CONTROL PREP (OPTIONAL).
- FOR GLASS BEADED DOORS, IF GLASS BEAD CANNOT BE REMOVED, USE SHIM KIT (AVAILABLE ON ORDER).
- CONCEALED DOOR POSITION SWITCH IS INCLUDED WITH THIS PRODUCT. SEE TEMPLATE PROVIDED, USE AND INSTALLATION LOCATION TO BE SPECIFIED BY OTHERS.



AUTHORIZED OPTIONS	
SN200, SN210	
BACKSET DEFINITION	DOOR HANDING
ASSA ABLOY <small>DOORS & LOCKS</small> 10000 WOOD DOOR SVR DEVICE	
DOOR MANUFACTURERS TEMPLATE: SN SERIES TRIM WOOD DOOR SVR DEVICE	
RELEASE DATE: 4/22/22 TEMPLATE NO. MEDT11	
SHEET 2 OF 2	