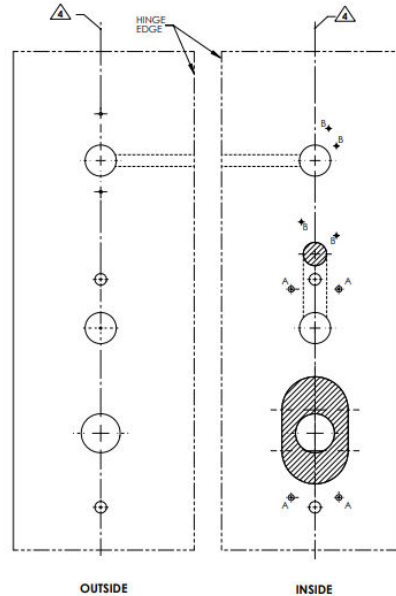
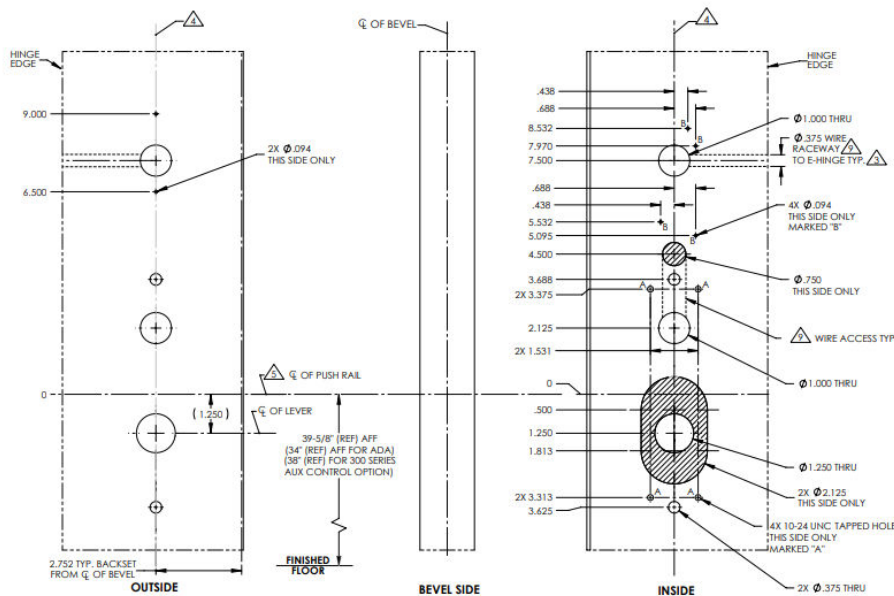


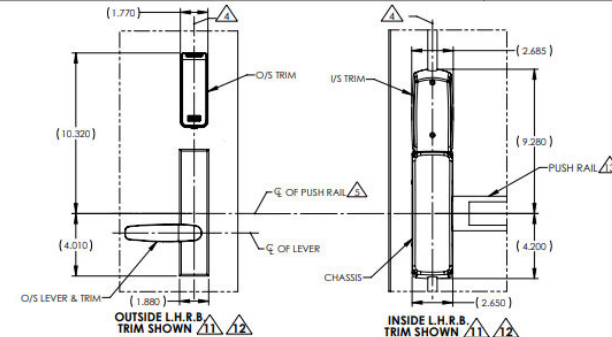
# METAL DOOR



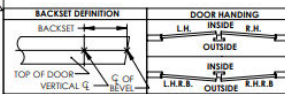
L.H.R.B. DOOR

R.H.R.B. DOOR

- NOTES:
1. DRAWING IS NOT TO SCALE.
  2. REFERENCE STRIKE TEMPLATE FOR DETAILS TO PREPARE FRAME.
  3. FOR ELECTROLYTIC APPLICATIONS, REFER TO MCKINNEY TRANSFER DEVICE CATALOG.
  4. VERTICAL CENTERLINE IS REFERENCED FROM THE CENTERLINE OF THE BEVEL. (INDUSTRY STANDARD BEVEL IS 1/8 INCH IN 2 INCHES.)
  5. CONSULT THE AUTHORITY HAVING JURISDICTION (AHJ) TO VERIFY THE RECOMMENDED MOUNTING HEIGHT ABOVE THE FINISHED FLOOR (AFF).
  6. LIMITATIONS IN THE DOOR CONSTRUCTION PROCESS MAY REQUIRE SOME HOLES TO BE FIELD-LOCATED USING THE PHYSICAL PART AS A TEMPLATE.
  7. STANDARD TOLERANCE OF ± .015 APPLIES TO ALL DOOR PREPARATION REQUIREMENTS, UNLESS OTHERWISE SPECIFIED.
  8. DOOR REINFORCEMENT IS RECOMMENDED TO IMPROVE (SURFACE MOUNTED) FASTENER HOLDING POWER AND CRUSH RESISTANCE (WHEN THRU-BOLTING IS EMPLOYED). CONSTRUCTION TECHNIQUES SHOULD REFLECT INDUSTRY BEST PRACTICES (I.E. WDMA, SDI) AND AUTHORIZED METHODS WHERE LABEL SERVICE (I.E. UL, W-H) IS IN EFFECT.
  9. WIRE RACEWAY AREAS SHALL BE FREE OF OBSTRUCTIONS & SHARP EDGES TO PROTECT WIRES FROM CUTS & ABRASIONS.
  10. CAREFULLY NOTE WHICH FEATURES ARE OPTIONAL, (WHETHER THE FEATURE APPLIES TO BOTH SIDES OF THE DOOR AND/OR IF A DEPTH APPLIES.)
  11. MAXIMUM PRODUCT DIMENSIONS ARE SHOWN FOR THE PURPOSE OF VERIFYING FITMENT WITH DOOR FRAME STOPS, DOOR SILEX SEALS & LIGHT/OUVER KITS.
  12. NARROW ESCUTCHEON SHOWN. IF OPTIONAL LEVERS OR ROSES ARE USED REFERENCE THE RELATED PRODUCT DIMENSIONS TO VERIFY THE FITMENT REQUIREMENTS.
  13. SEE TEMPLATE MED12 FOR STANDARD SVR LATCH PREP. MED21 IS FOR FIRE-RATED SVR LATCH PREP. MED21 FOR TOP & BOTTOM STRIKE PREP. & 4214/ FM375 FOR AUX. CONTROL PREP (OPTIONAL).
  14. FOR GLASS BEADED DOORS, IF GLASS BEAD CANNOT BE REMOVED, USE SHM KIT (AVAILABLE ON ORDER).
  15. CATALYZED DOOR POSITION SWITCH MODEL 3287 / 7087889 IS INCLUDED WITH THIS PRODUCT. SEE SARGENT TEMPLATE A74488. USE AND INSTALLATION LOCATION TO USE AND INSTALLATION LOCATION TO BE SPECIFIED BY OTHERS.

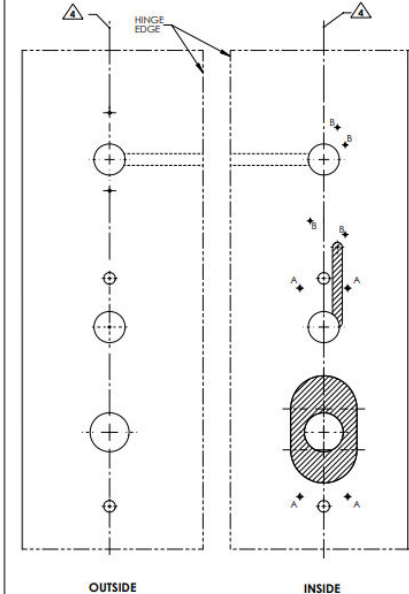
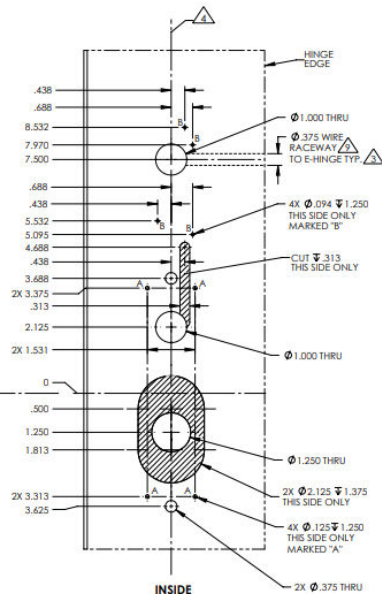
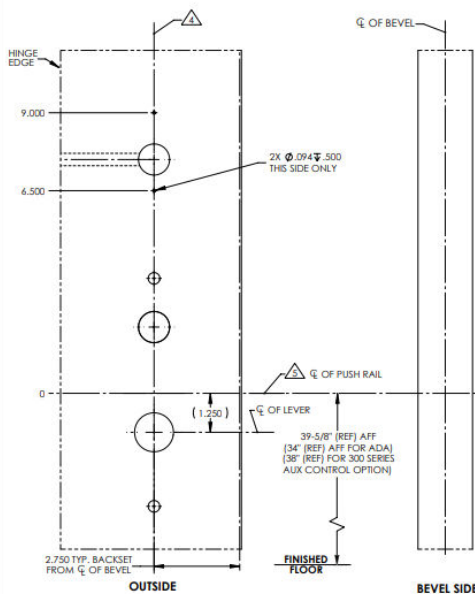


AUTHORIZED OPTIONS	
SN200	SN210



ASSA ABLOY		RELEASE DATE
DOOR MANUFACTURERS TEMPLATE:		07/27/22
SN SERIES TRIM		TEMPLATE NO.
METAL DOOR		MED155
SVR DEVICE		SHEET 1 OF 2

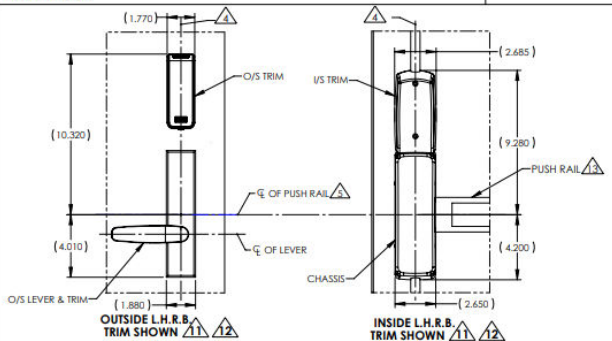
# WOOD DOOR



L.H.R.B. DOOR

R.H.R.B. DOOR

- NOTES:
- DRAWING IS NOT TO SCALE
  - REFER TO STRIKE TRIM FOR DETAILS TO PREPARE FRAME
  - FOR ELECTROLYNIX APPLICATIONS, REFER TO MCKINNEY TRANSFER DEVICE CATALOG.
  - VERTICAL CENTERLINE IS REFERENCED FROM THE CENTERLINE OF THE BEVEL. (INDUSTRY STANDARD BEVEL IS 1/8 INCH BY 2 INCHES.) CONSULT THE AUTHORITY HAVING JURISDICTION (AHJ) TO VERIFY THE RECOMMENDED MOUNTING HEIGHT ABOVE THE FINISHED FLOOR (AFF).
  - LIMITATIONS IN THE DOOR CONSTRUCTION PROCESS MAY REQUIRE SOME HOLES TO BE FIELD-LOCATED USING THE PHYSICAL PART AS A TEMPLATE.
  - STANDARD TOLERANCE OF  $\pm$ .015 APPLIES TO ALL DOOR PREPARATION REQUIREMENTS, UNLESS OTHERWISE SPECIFIED.
  - DOOR REINFORCEMENT IS RECOMMENDED TO IMPROVE (SURFACE MOUNTED) FASTENER HOLDING POWER AND CRUSH RESISTANCE (WHEN THRU-BOILING IS EMPLOYED). CONSTRUCTION TECHNIQUES SHOULD REFLECT INDUSTRY BEST PRACTICES (I.E. WDMA, SDI) AND AUTHORIZED METHODS WHERE LABEL SERVICE (I.E. UL, W-H) IS IN EFFECT.
  - WIRE RACEWAY AREAS SHALL BE FREE OF OBSTRUCTIONS & SHARP EDGES TO PROTECT WIRES FROM CUTS & ABRASIONS.
  - CAREFULLY NOTE WHICH FEATURES ARE OPTIONAL. (WHETHER THE FEATURE APPLIES TO BOTH SIDES OF THE DOOR AND/OR IF A DEPTH APPLIES.)
  - MAXIMUM PRODUCT DIMENSIONS ARE SHOWN FOR THE PURPOSE OF VERIFYING FITMENT WITH DOOR FRAME STOPS, DOOR SILE SIZE & LIGHT/OVERLAP KITS.
  - NARROW ESCUTCHEON SHOWN. IF OPTIONAL LEVERS OR ROSES ARE USED REFERENCE THE RELATED PRODUCT DIMENSIONS TO VERIFY THE FITMENT REQUIREMENTS. SEE TEMPLATE MEDIT2 FOR STANDARD SVR LATCH PREP. MEDIT3 FOR FIRE-RATED SVR LATCH PREP. MEDIT11 FOR TOP & BOTTOM STRIKE PREP. & 4214/FR375 FOR AUX. CONTROL PREP (OPTIONAL).
  - FOR GLASS BEADED DOORS, IF GLASS BEAD CANNOT BE REMOVED, USE SHIM KIT (AVAILABLE ON ORDER).
  - CONCEALED DOOR POSITION SWITCH MODEL 3287 / 7089Y89 IS INCLUDED WITH THIS PRODUCT. SEE SARGENT TEMPLATE A7448B. USE AND INSTALLATION LOCATION TO USE AND INSTALLATION LOCATION TO BE SPECIFIED BY OTHERS.



<b>AUTHORIZED OPTIONS</b>
SN200, SN210

<b>BACKSET DEFINITION</b> 	<b>DOOR HANDING</b> 
RELEASE DATE: 07/21/22 TEMPLATE NO.: MEDIT5_5 SHEET 2 OF 2	