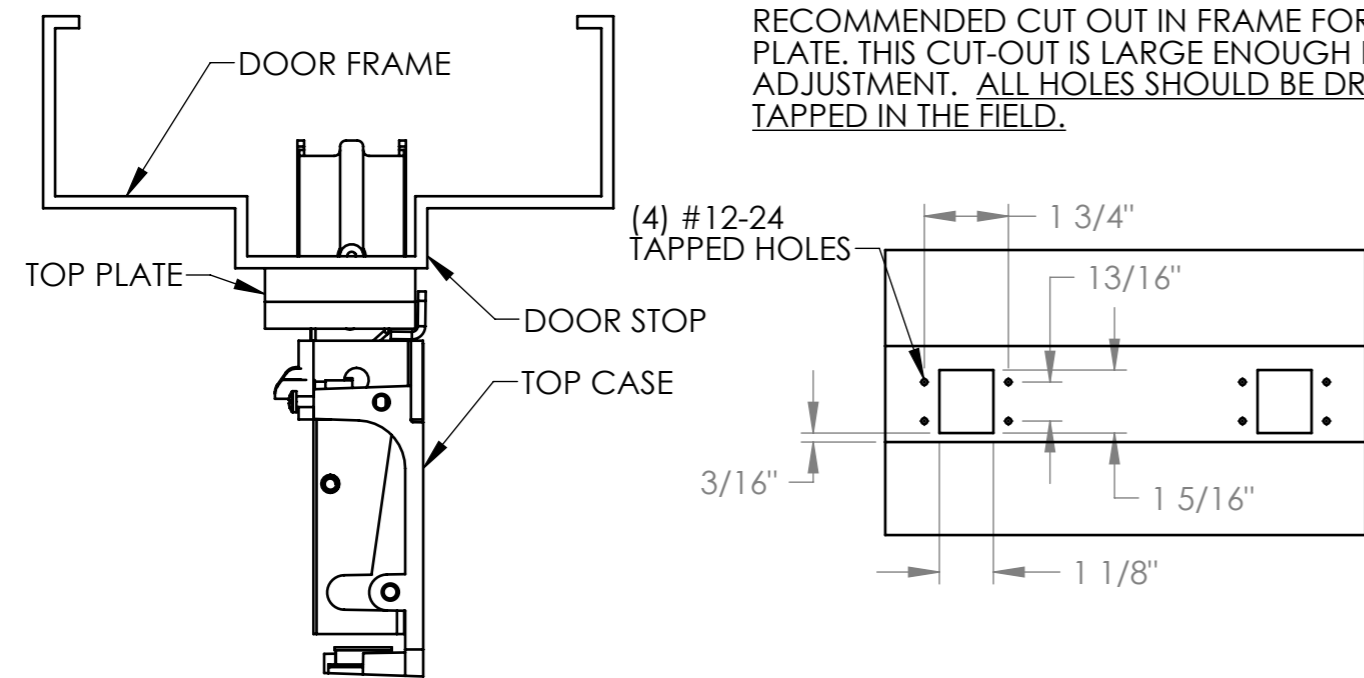
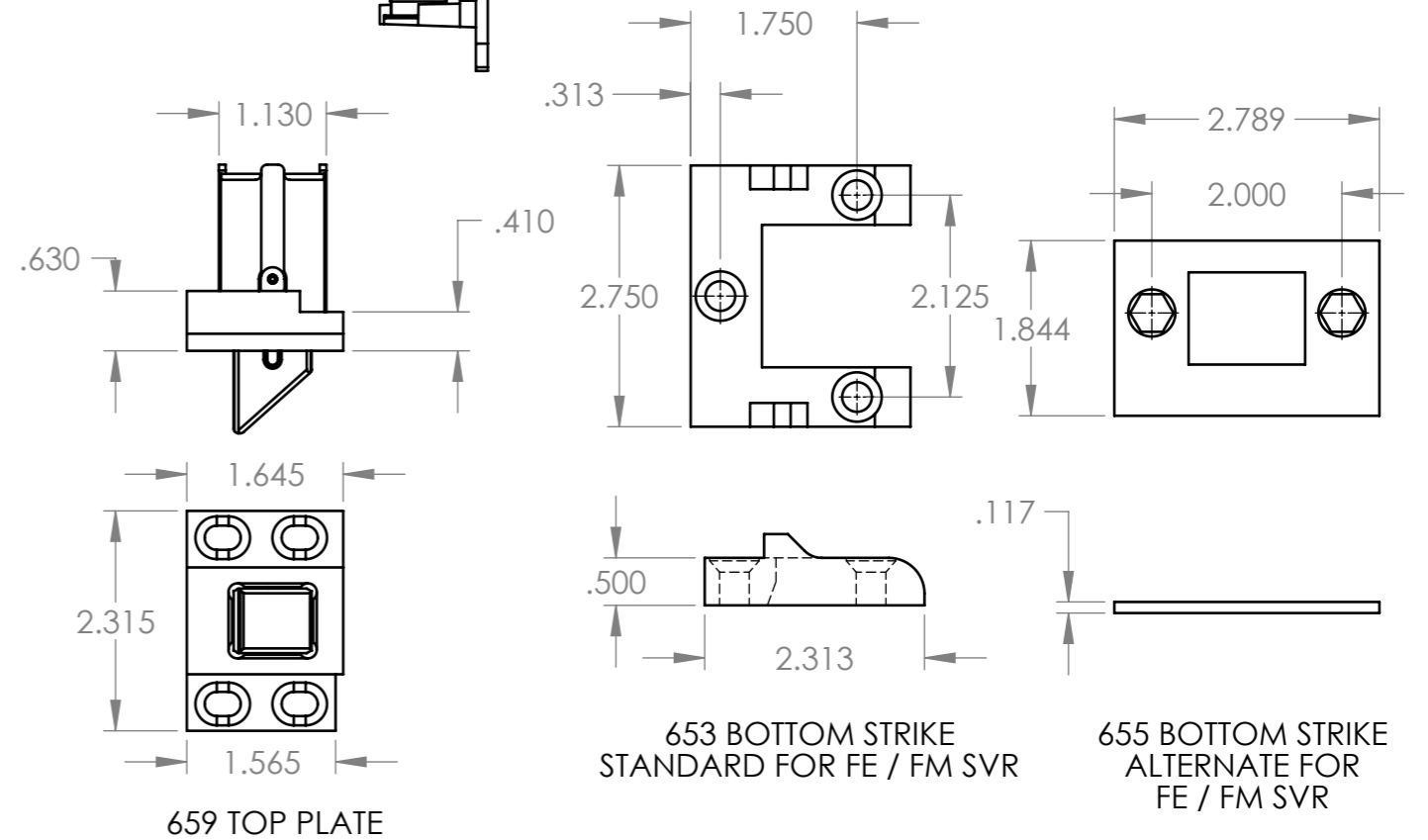
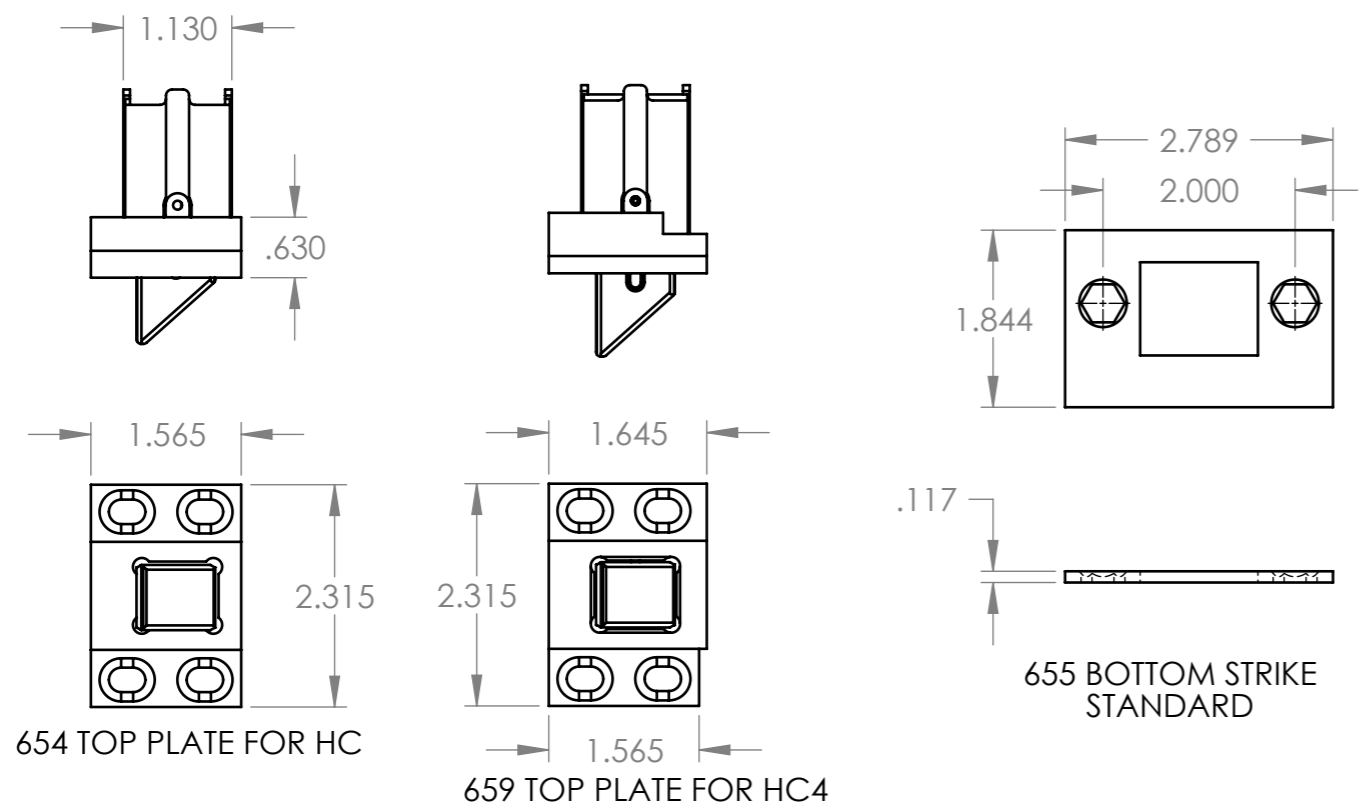
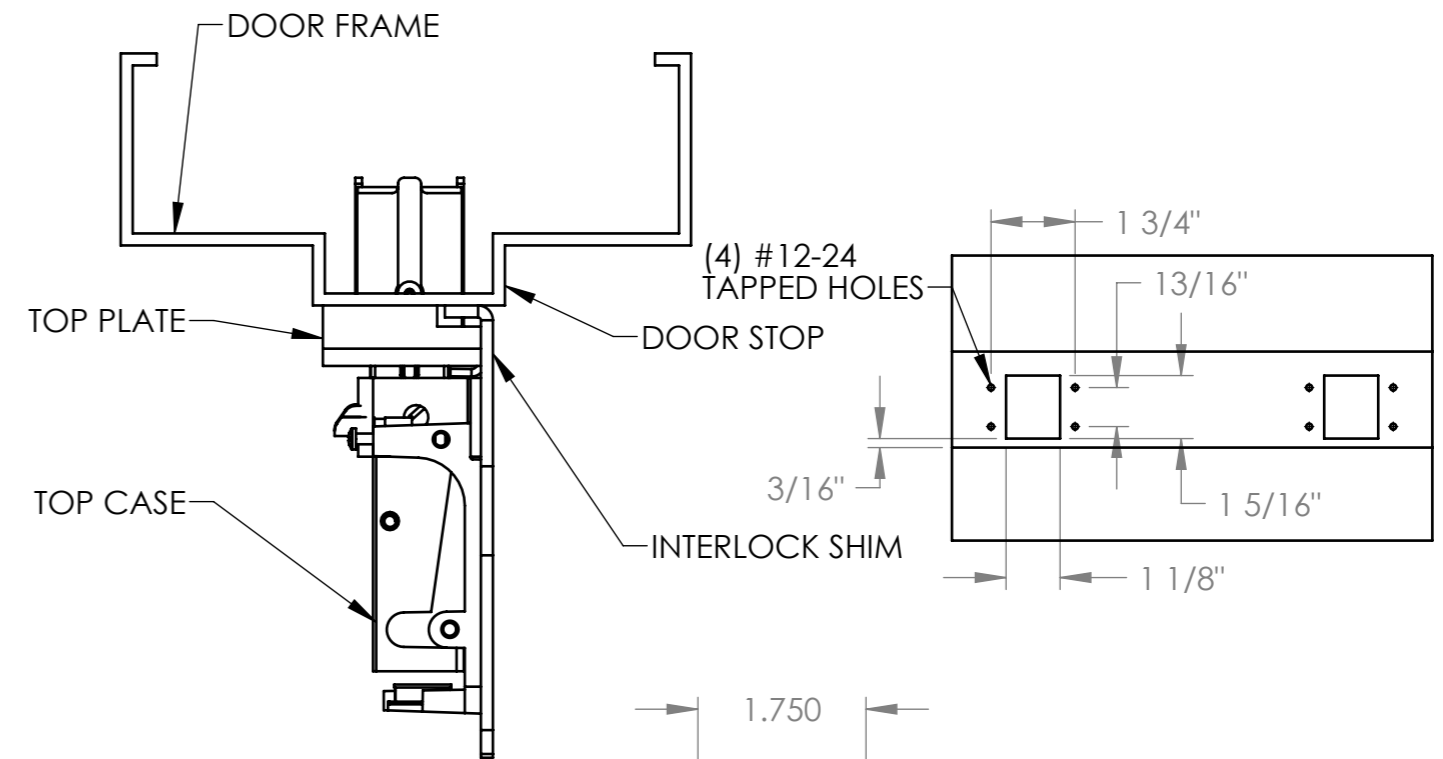


**HC & HC4 SVR (STANDARD & FIRE RATED)**



RECOMMENDED CUT OUT IN FRAME FOR #654 TOP PLATE. THIS CUT-OUT IS LARGE ENOUGH FOR FUTURE ADJUSTMENT. ALL HOLES SHOULD BE DRILLED AND TAPPED IN THE FIELD.

**FEMA SVR (STANDARD & FIRE RATED)**



**NOTES**

1. USE THIS DIMENSION WHEN DOOR STOPS AGAINST FRAME AS ILLUSTRATED ABOVE. IF DOOR SILENCERS (RUBBER BUMPERS) ARE USED ON THE STOP, DECREASE THIS DIMENSION ACCORDINGLY. FOR GLASS BEADED DOORS USE 1/8" OR 1/4" SHIMS UNDER THE TOP CASE AND INCREASE THIS DIMENSION ACCORDINGLY (GLASS BEAD SHIM KIT AVAILABLE ON ORDER)
2. TOLERANCE ON FRACTIONAL DIMENSIONS  $\pm 1/64$ ".
3. ALL HOLES SHOULD BE DRILLED AND TAPPED IN THE FIELD

**ASSA ABLOY**  
Opening Solutions

Experience a safer and more open world.

TEMPLATE FOR TOP AND BOTTOM STRIKES  
FEMA, HC, & HC4 (STANDARD & FIRE RATED  
EXIT DEVICES)

RELEASE DATE  
APRIL 20, 2022

TEMPLATE NO.  
MEDT26