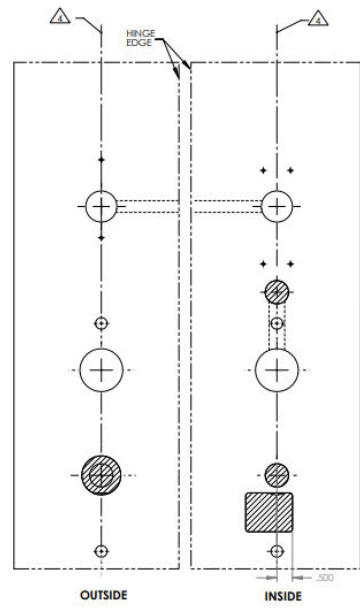
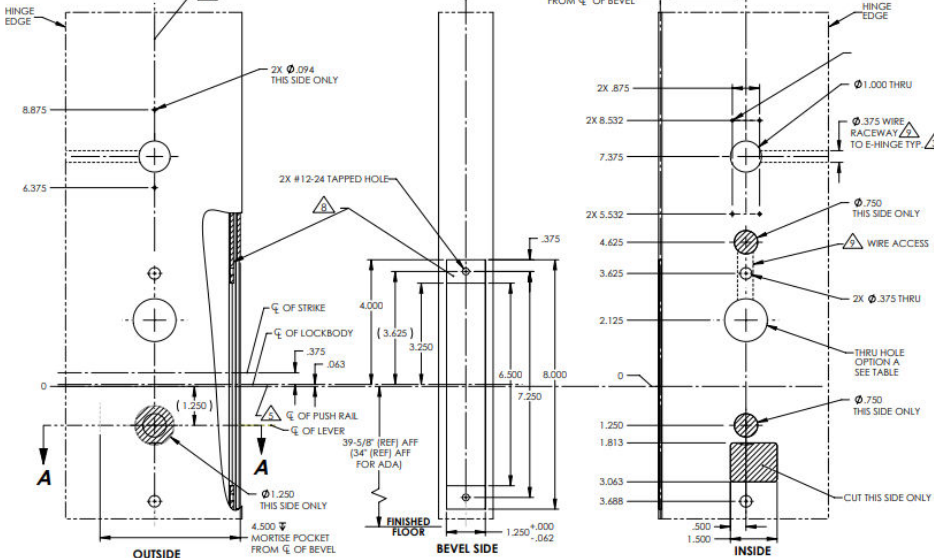
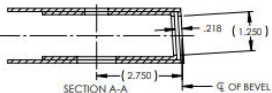


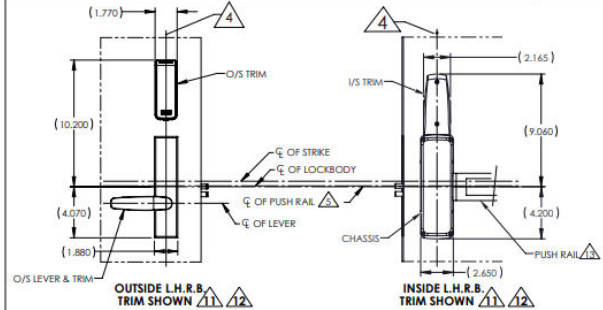
METAL DOOR



L.H.R.B. DOOR

R.H.R.B. DOOR

- NOTES:
1. DRAWING IS NOT TO SCALE.
 2. REFERENCE STRIKE TEMPLATE FOR DETAILS TO PREPARE FRAME.
 3. FOR ELECTROLYNX APPLICATIONS, REFER TO MCKINNEY TRANSFER DEVICE CATALOG.
 4. VERTICAL CENTERLINE IS REFERENCED FROM THE CENTERLINE OF THE BEVEL. (INDUSTRY STANDARD BEVEL IS 1/8 INCH IN 2 INCHES.)
 5. CONSULT THE AUTHORITY HAVING JURISDICTION (AHJ) TO VERIFY THE RECOMMENDED MOUNTING HEIGHT ABOVE THE FINISHED FLOOR (AFF). LIMITATIONS IN THE DOOR CONSTRUCTION PROCESS MAY REQUIRE SOME HOLES TO BE FIELD-LOCATED USING THE PHYSICAL PART AS A TEMPLATE.
 6. STANDARD TOLERANCE OF ± .015 APPLIES TO ALL DOOR PREPARATION REQUIREMENTS, UNLESS OTHERWISE SPECIFIED.
 7. DOOR REINFORCEMENT IS RECOMMENDED TO IMPROVE (SURFACE MOUNTED) FASTENER HOLDING POWER AND CRUSH RESISTANCE (WHEN THRU-BOLTING IS EMPLOYED). CONSTRUCTION TECHNIQUES SHOULD REFLECT INDUSTRY BEST PRACTICES (I.E. WDMA, SDI) AND AUTHORIZED METHODS WHERE LABEL SERVICE (I.E. UL, W-H) IS IN EFFECT.
 8. WIRE RACEWAY AREAS SHALL BE FREE OF OBSTRUCTIONS & SHARP EDGES TO PROTECT WIRES FROM CUTS & ABRASIONS.
 9. CAREFULLY NOTE WHICH FEATURES ARE OPTIONAL. (WHETHER THE FEATURE APPLIES TO BOTH SIDES OF THE DOOR AND/OR IF A DEPTH APPLIES.)
 10. MAXIMUM PRODUCT DIMENSIONS ARE SHOWN FOR THE PURPOSE OF VERIFYING FITMENT WITH DOOR FRAME STOPS, DOOR SIZE SILE & LIGHT/OVER KEYS, NARROW ESCUTCHEON SHOWN, IF OPTIONAL LEVERS OR ROSES ARE USED REFERENCE THE RELATED PRODUCT DIMENSIONS TO VERIFY THE FITMENT REQUIREMENTS.
 11. SEE TEMPLATE MED142 FOR EXIT DEVICE PREP.
 12. CONCEALED DOOR POSITION SWITCH MODEL 3287 / 708F989 IS INCLUDED WITH THIS PRODUCT. SEE SARGENT TEMPLATE A7448B. USE AND INSTALLATION LOCATION TO BE SPECIFIED BY OTHERS.



OUTSIDE L.H.R.B. TRIM SHOWN 11 12

INSIDE L.H.R.B. TRIM SHOWN 11 12

AUTHORIZED OPTIONS	
SN200, SN210	
OPTIONS TABLE	
USED FOR FUNCTIONS	
OPTION	DESCRIPTION
A	CYLINDER
	Ø .750
	Ø .375
DOOR HANDING	
L.H.	INSIDE
R.H.	OUTSIDE
L.H.R.B.	INSIDE
R.H.R.B.	OUTSIDE
ASSAULT RAIL	
DOOR MANUFACTURERS TEMPLATE: SN SERIES TRIM	
METAL DOOR	
MORTISE EXIT DEVICE	
RELEASE DATE	07/27/22
TEMPLATE NO.	MED157
SHEET 1 OF 2	MED157_3