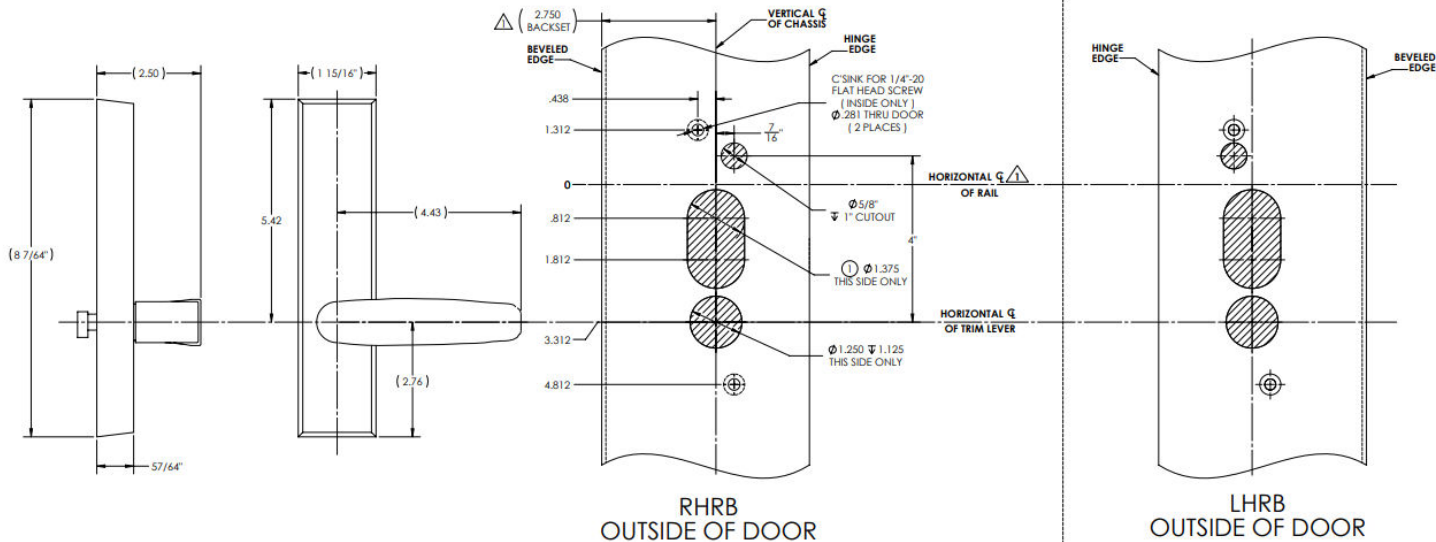


METAL DOOR

SERIES	FUNCTIONS	FEATURE ① ECOFLEX
PREMIUM CVR EXIT DEVICES	P773-4, P774-4, 8CV910PT, 8CV930PT, 9CV910PT, 9CV930PT	X
	54-P773-4, 54-P774-4, 8CV910PT M93, 8CV910PT M93, 9CV910PT M93, 9CV930PT M93	X
	ALL OTHER 54- / M93	—



NOTES:

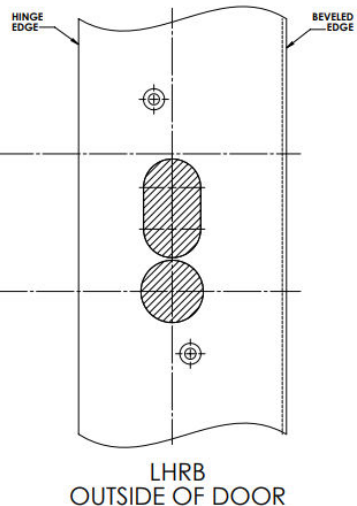
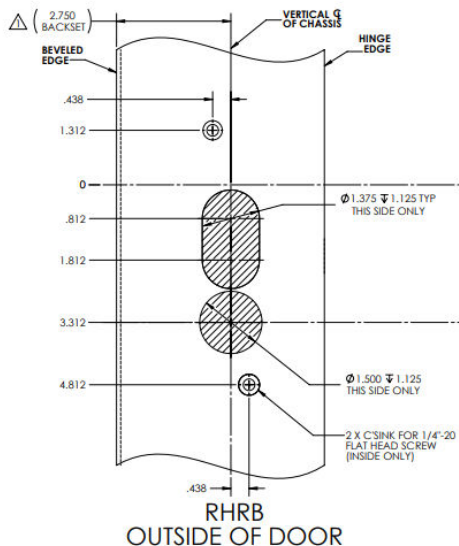
- FOR LOCATION OF VERTICAL CENTERLINES, HORIZONTAL CENTERLINES AND ALL ADDITIONAL EXIT DEVICES PREP. REFER TO APPROPRIATE EXIT DEVICE TEMPLATE.
- SUITABLE REINFORCEMENT REQUIRED FOR METAL DOORS.
- BEVEL REQUIRED (NOT SHOWN). PREP TO ANSI A115 SPECIFICATIONS.
- TOLERANCE ALL DIMENSIONS $\pm .015$.
- FOR WOOD DOOR PREP SEE SHEET 2.

ASSA ABLBY

DOOR MFG TEMPLATE LEVER MOUNTING & ECOFLEX EXIT TRIM CENTERLINE FOR USE WITH CONCEALED VERTICAL ROD EXIT DEVICES METAL DOOR (SHEET 1 OF 2)

ISSUE DATE
5/15/22
TEMPERATURE
METS1

WOOD DOOR



NOTES:

1. FOR LOCATION OF VERTICAL CENTERLINES, HORIZONTAL CENTERLINES AND ALL ADDITIONAL EXIT DEVICES PREP, REFER TO APPROPRIATE EXIT DEVICE TEMPLATE.
2. BEVEL REQUIRED (NOT SHOWN), PREP TO ANSI A115 SPECIFICATIONS.
3. TOLERANCE ALL DIMENSIONS \pm .015.
4. FOR TRIM DIMENSIONS OR METAL DOOR PREP SEE SHEET 1.

ASSA ABLOY

DOOR MFG TEMPLATE
 REQUIRED EXIT TRIM CONTROL FOR USE WITH
 COMBINED VERTICAL-ALCO EXIT DEVICES
 WOOD DOOR (SHEET 2 OF 2)

RELEASE DATE
 5/16/22
 REVISED BY
 MED/SJ